



US00D811082S

(12) **United States Design Patent** (10) **Patent No.:** **US D811,082 S**
Lehan (45) **Date of Patent:** **** Feb. 27, 2018**

(54) **CHILD CARRIER HAVING ADJUSTABLE SEAT COUPLING**

FOREIGN PATENT DOCUMENTS

(71) Applicant: **Lillebaby, LLC**, Boulder, CO (US)
(72) Inventor: **Lisbeth Lehan**, Niwot, CO (US)
(73) Assignee: **LILLEbaby, LLC**, Boulder, CO (US)
(**) Term: **15 Years**

KR	30-0594247	4/2011
KR	30-2013-0057074	3/2014
KR	30-2013-0057077	3/2014
KR	30-2013-0066606	3/2014
KR	20-2014-0001249	3/2015
KR	30-2015-0001275	12/2015
KR	20-2016-0002831	12/2016

* cited by examiner

(21) Appl. No.: **29/588,703**
(22) Filed: **Dec. 22, 2016**

Primary Examiner — Holly H Baynham
(74) *Attorney, Agent, or Firm* — Lathrop Gage LLP

Related U.S. Application Data

(63) Continuation of application No. 29/532,096, filed on Jul. 1, 2015, now Pat. No. Des. 776,931.
(51) **LOC (11) Cl.** **03-01**
(52) **U.S. Cl.**
USPC **D3/232**
(58) **Field of Classification Search**
USPC D3/215, 232, 245–246
CPC A45C 1/024; A45C 3/06
See application file for complete search history.

CLAIM

(57) The ornamental design for a child carrier having adjustable seat coupling, as shown and described.

(56) **References Cited**

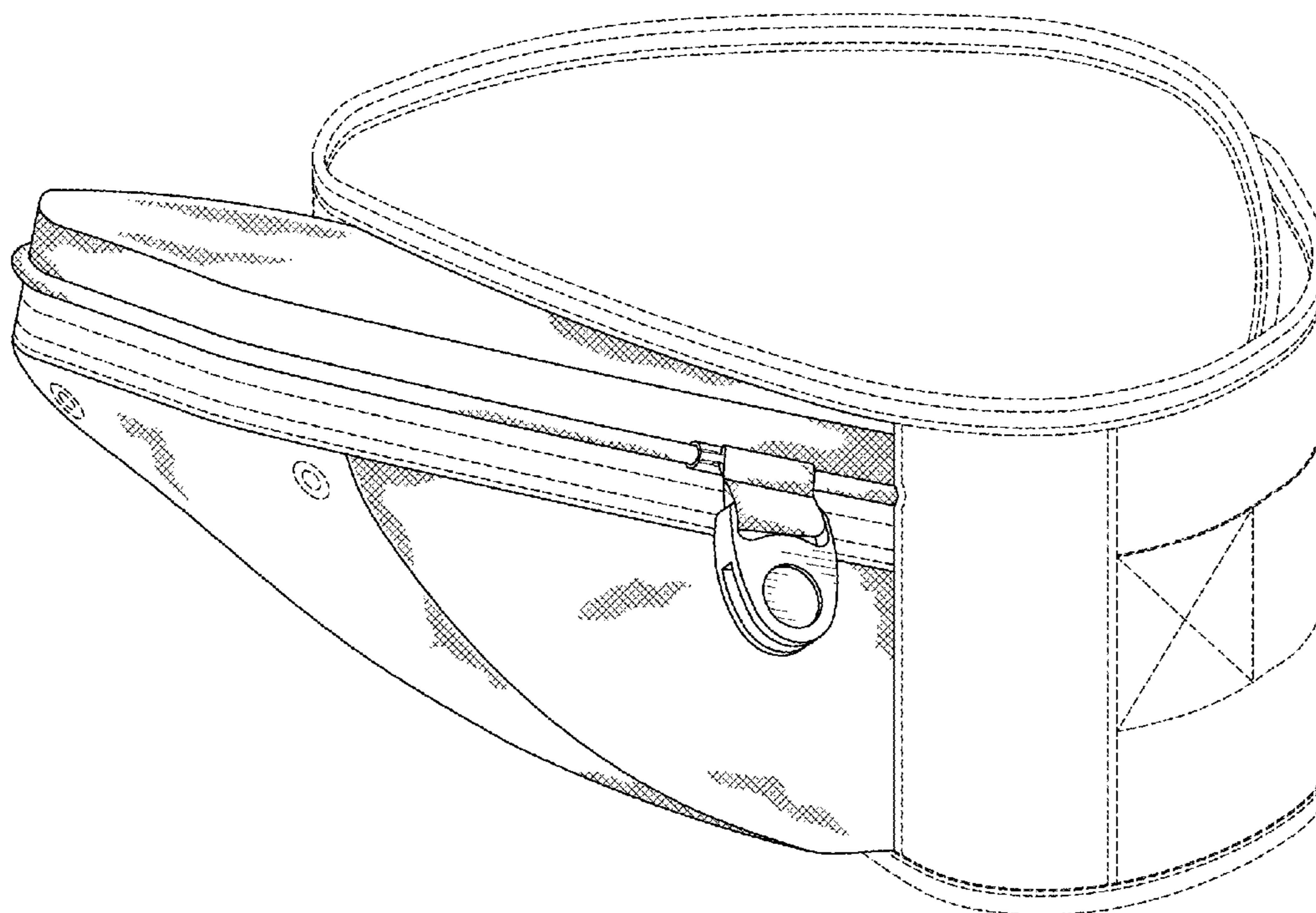
U.S. PATENT DOCUMENTS

D354,394 S	*	1/1995	Novak	D3/246
D363,599 S	*	10/1995	Gaffin	D3/245
D657,554 S	*	4/2012	Dolce	D3/232

DESCRIPTION

FIG. 1 is a front perspective view of a child carrier having adjustable seat coupling incorporating my new design, in an embodiment;
FIG. 2 is a back perspective view thereof;
FIG. 3 is a front view thereof;
FIG. 4 is a back view thereof;
FIG. 5 is a left side view thereof;
FIG. 6 is a right side view thereof;
FIG. 7 is a top view thereof;
FIG. 8 is a bottom view thereof; and,
FIG. 9 is a perspective view shown in an alternate position. The broken lines showing the belt, zipper and other portions of the bag are for the purposes of illustrating environment and form no part of the claimed design.

1 Claim, 9 Drawing Sheets



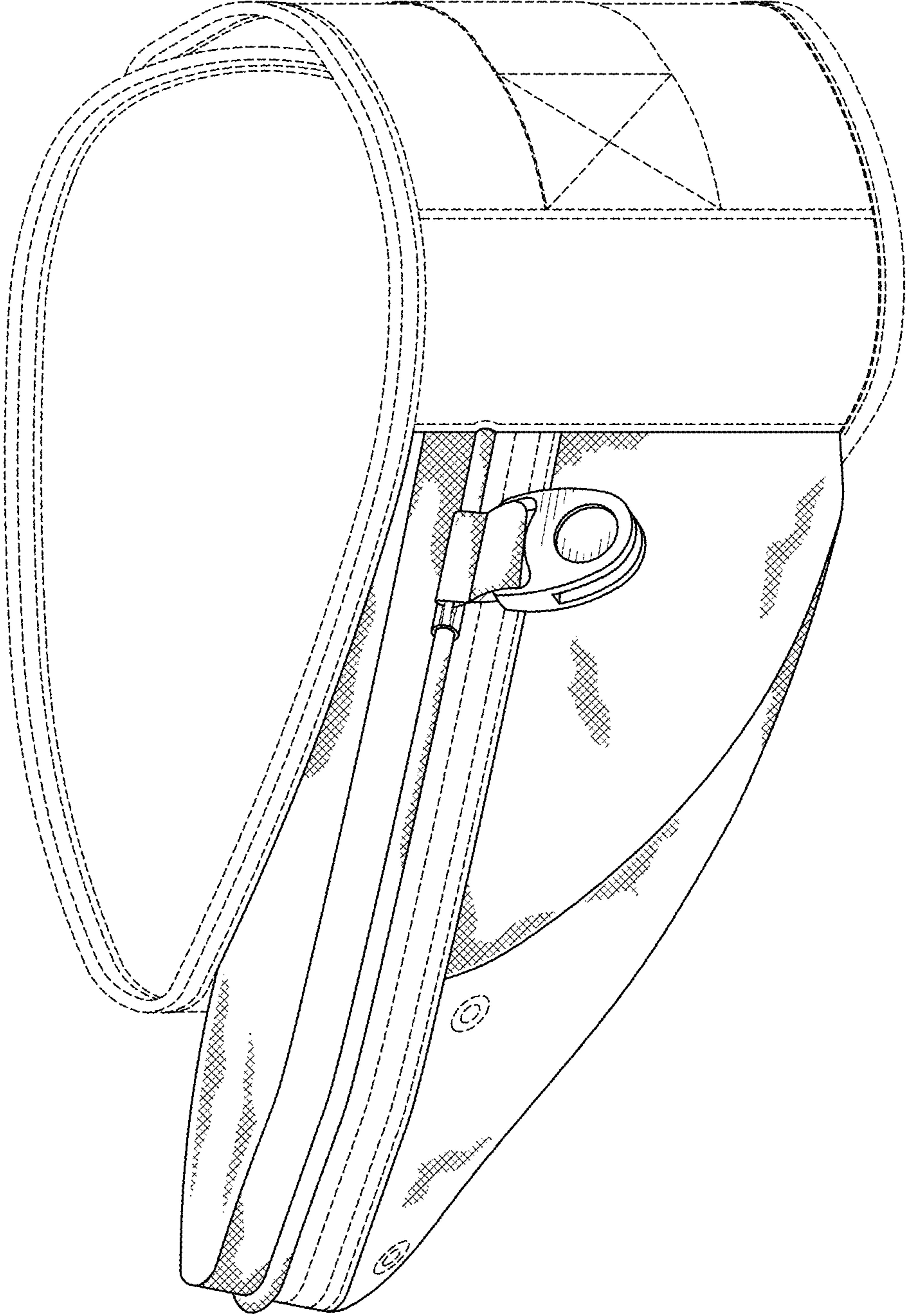


FIG. 1

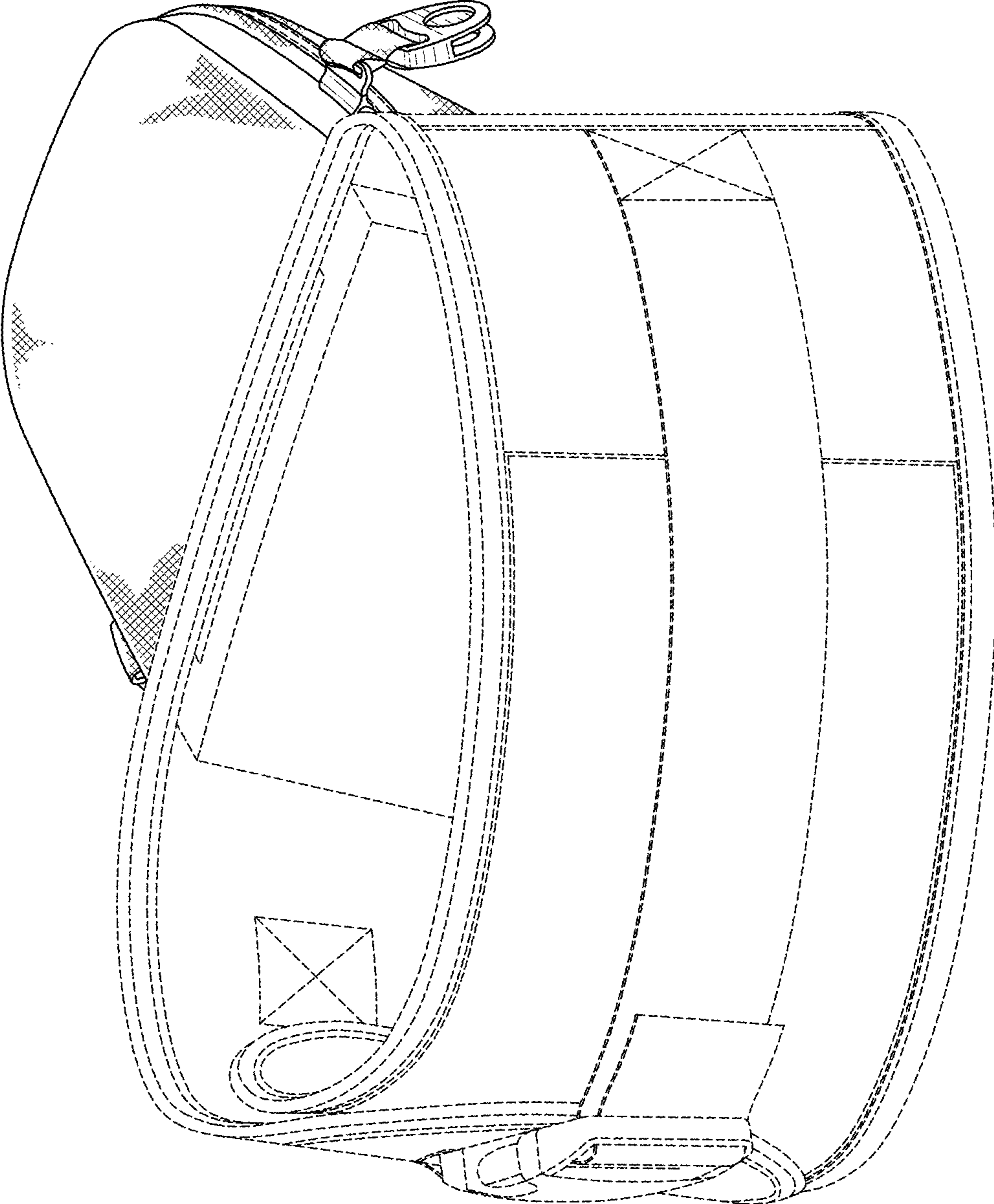


FIG. 2

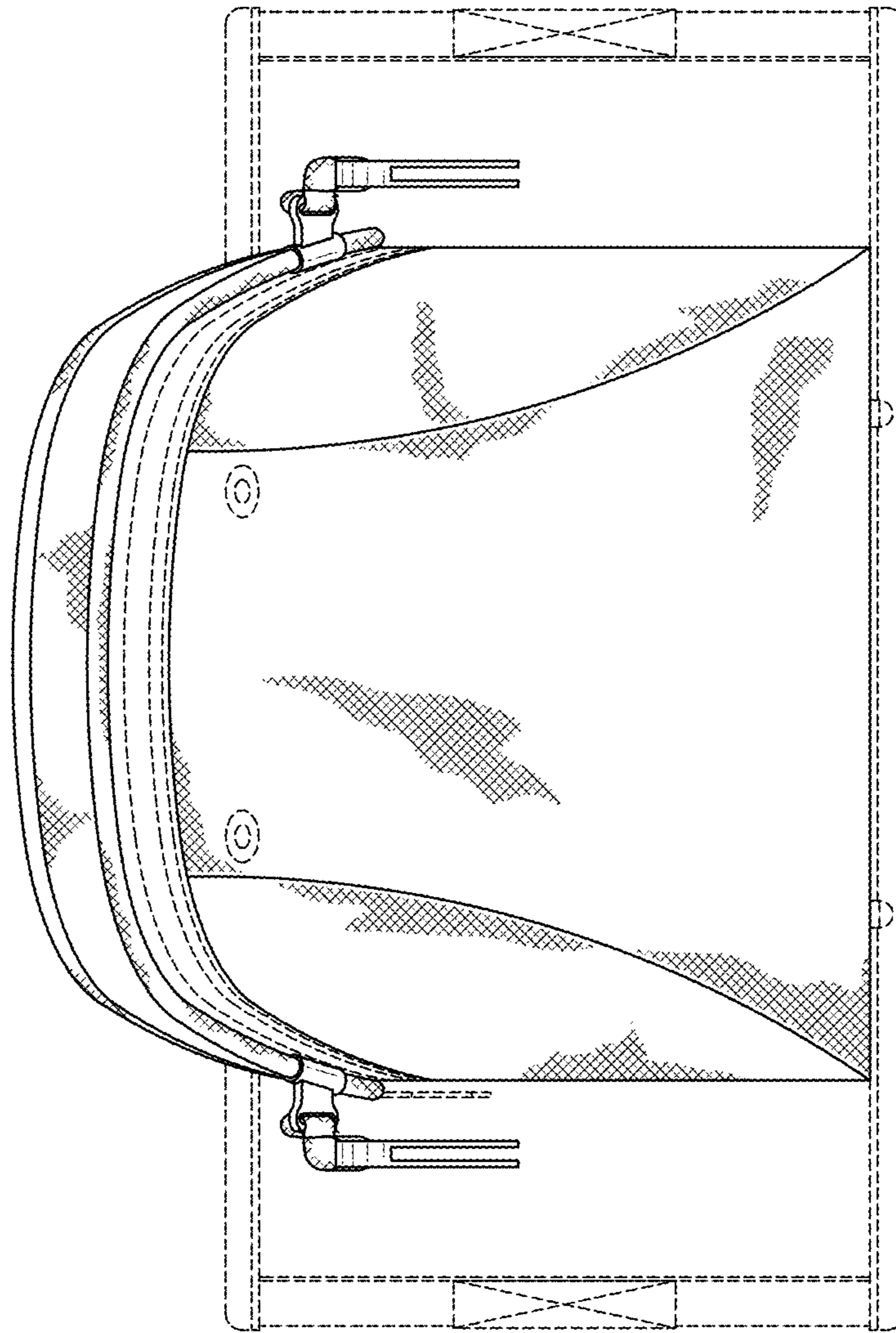


FIG. 3

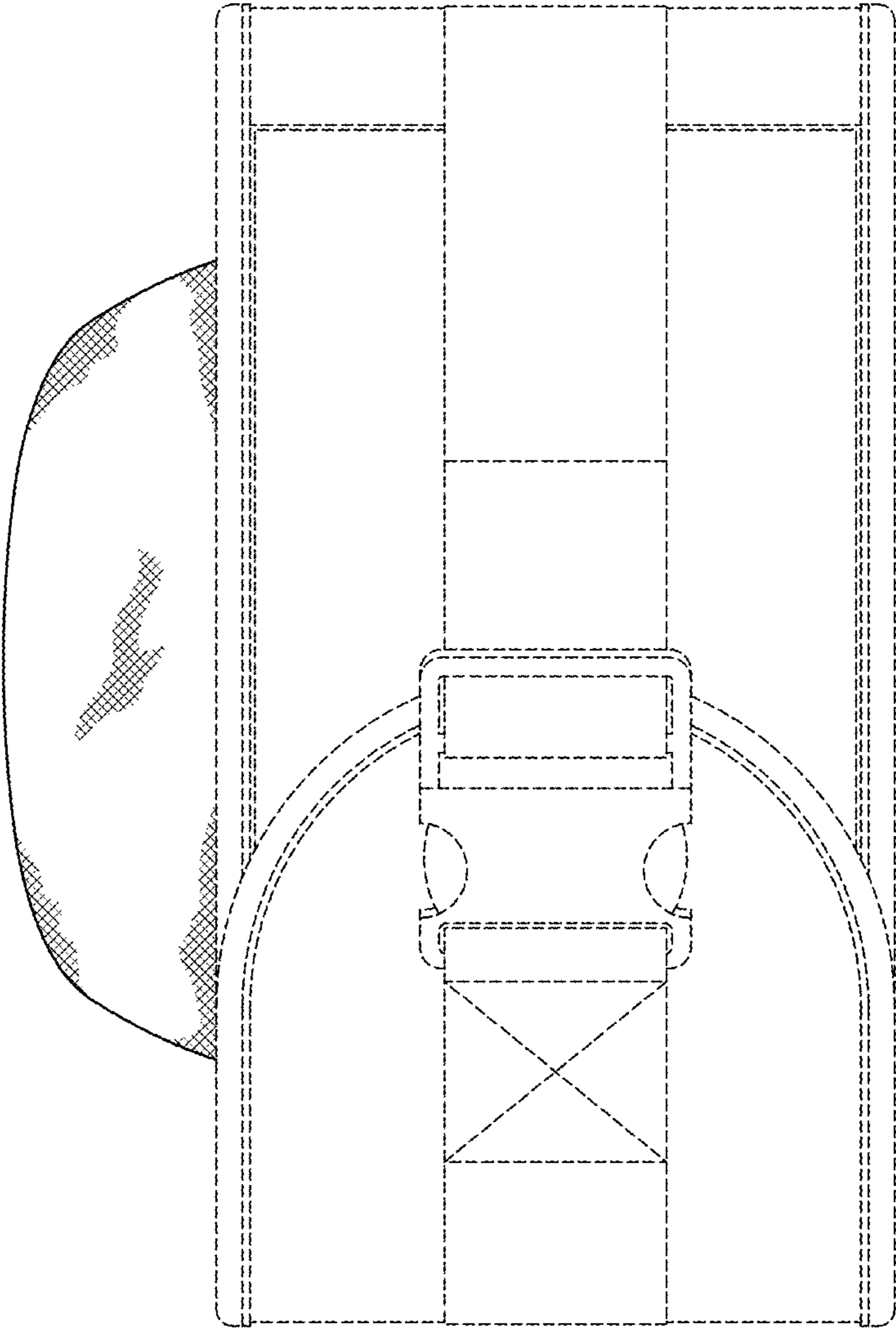


FIG. 4

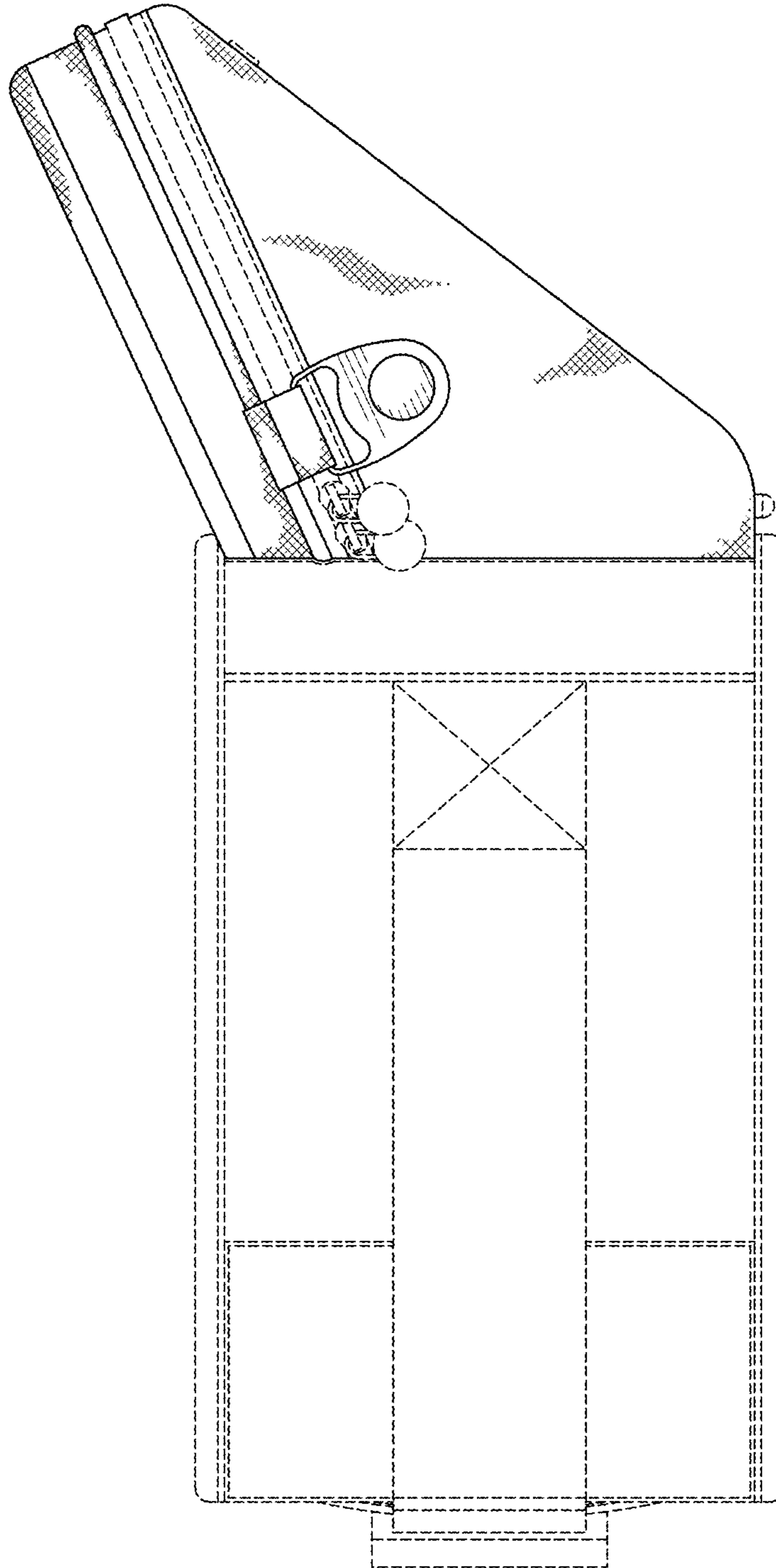


FIG. 5

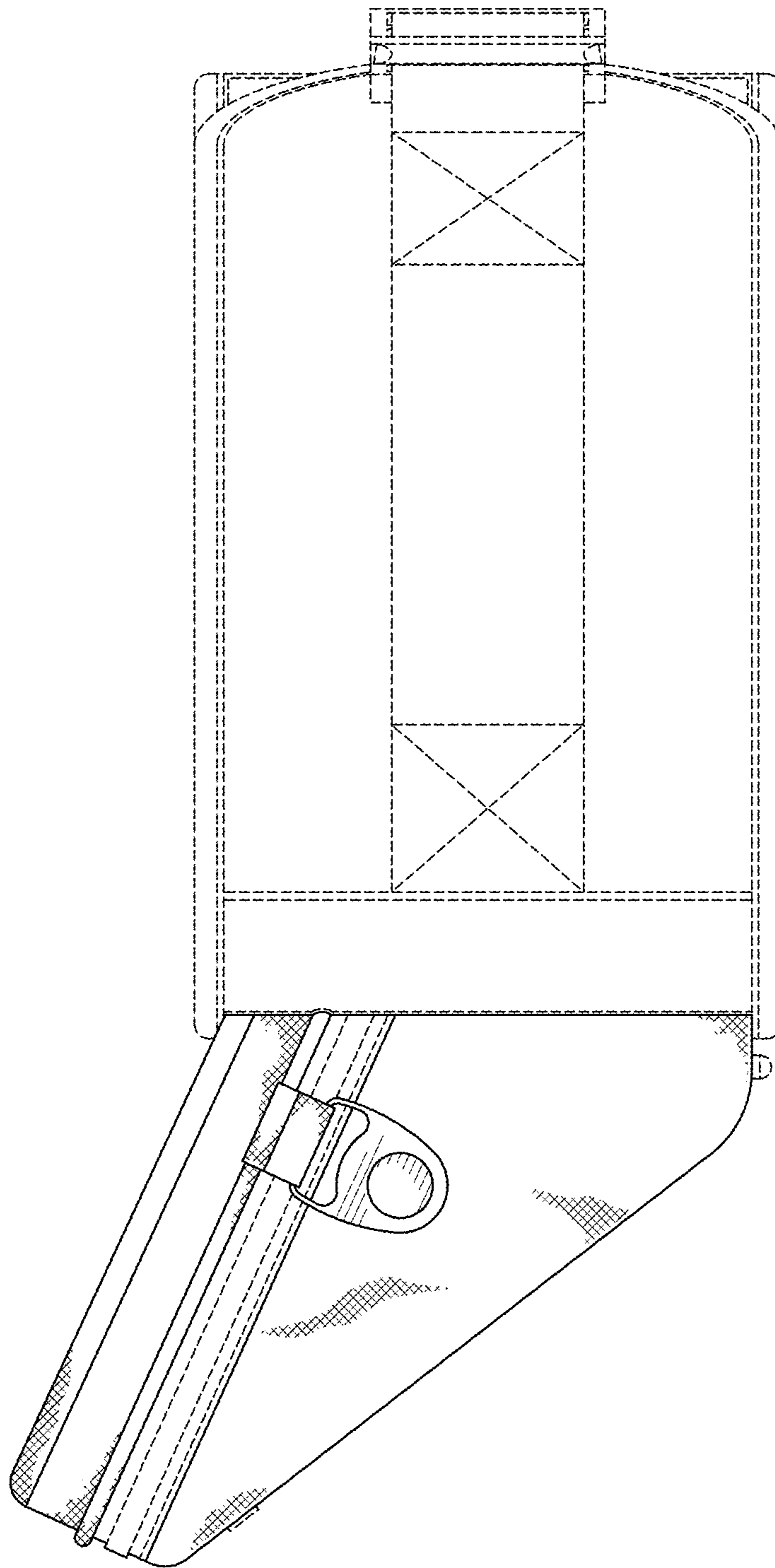


FIG. 6

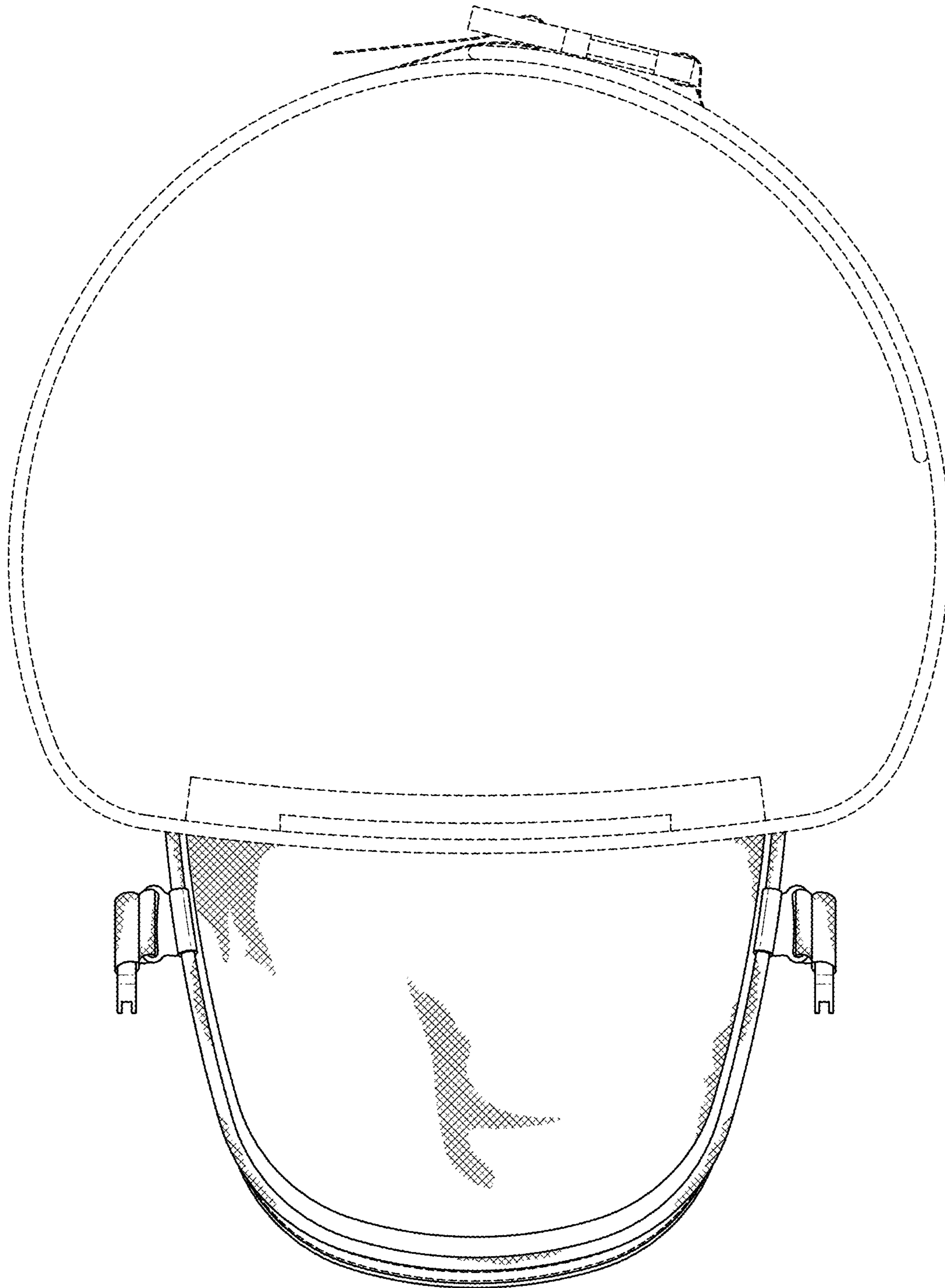


FIG. 7

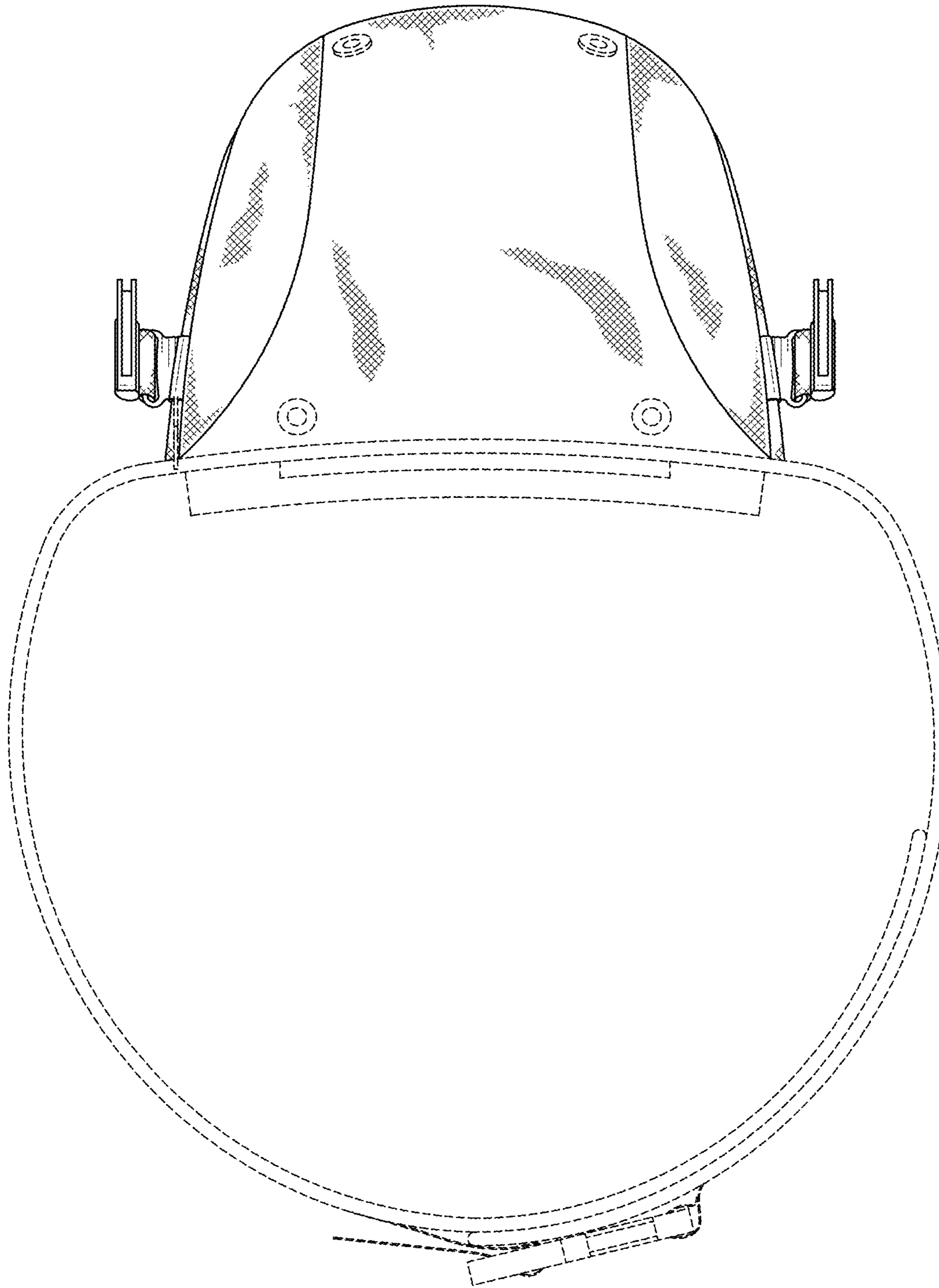


FIG. 8

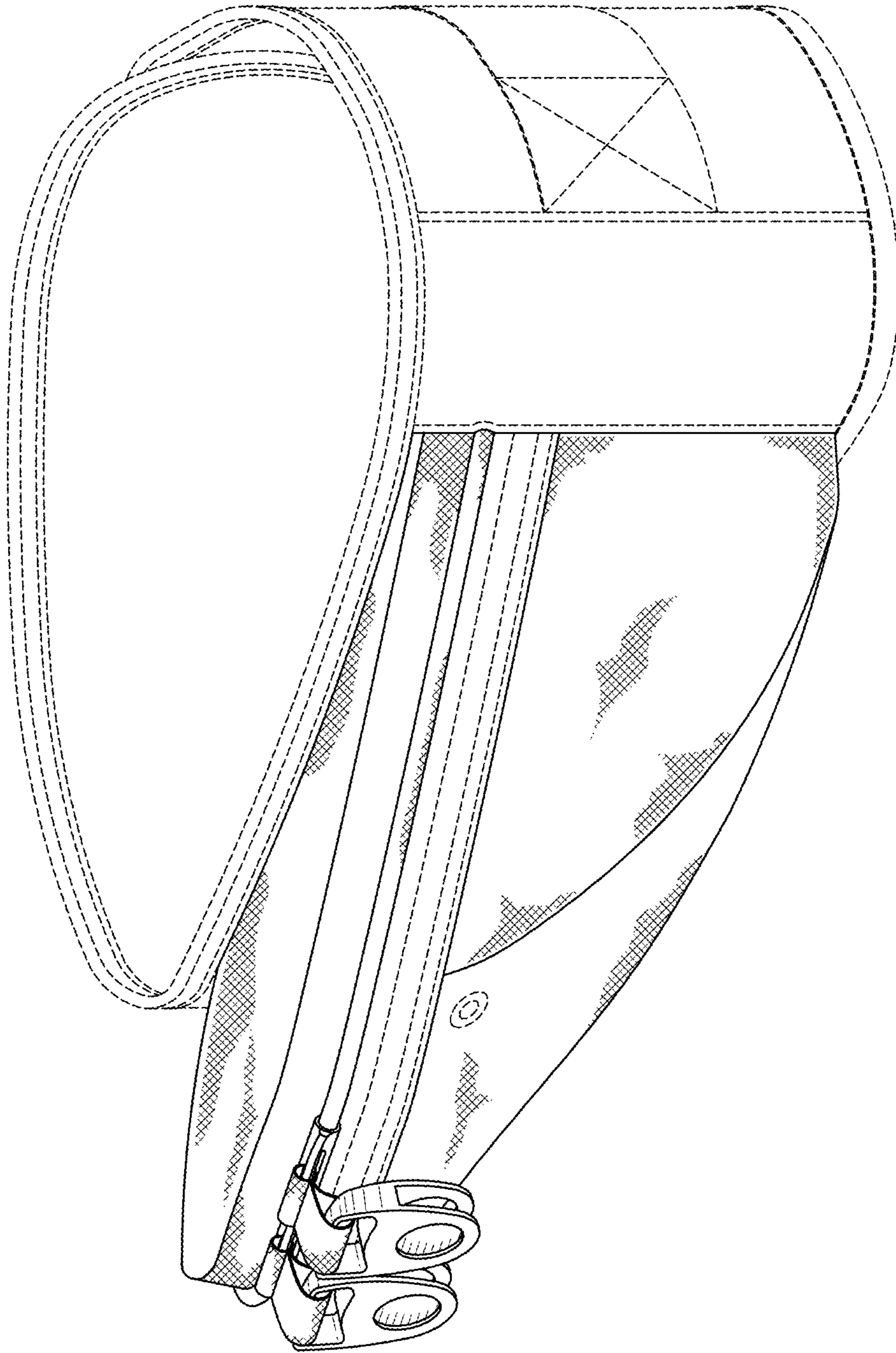


FIG. 9