



US00D811056S

(12) **United States Design Patent** (10) **Patent No.:** **US D811,056 S**  
**Zenoff** (45) **Date of Patent:** **\*\* \*Feb. 27, 2018**

(54) **BALL CAP WITH CIRCULAR-SHAPED ELECTRONIC DISPLAY SCREEN**

(71) Applicant: **Andrew Zenoff**, San Anselmo, CA (US)

(72) Inventor: **Andrew Zenoff**, San Anselmo, CA (US)

(73) Assignee: **Beam Authentic, LLC**, San Anselmo, CA (US)

(\* ) Notice: This patent is subject to a terminal disclaimer.

(\*\*) Term: **14 Years**

(21) Appl. No.: **29/499,864**

(22) Filed: **Aug. 19, 2014**

(51) **LOC (11) Cl.** ..... **02-03**

(52) **U.S. Cl.**  
USPC ..... **D2/882**

(58) **Field of Classification Search**

USPC ..... D2/865, 866, 868, 869, 870, 871, 872, D2/873, 875, 876, 878, 879, 882, 884, D2/886, 888, 891, 893, 895; D21/386; D6/300; D11/75, 86, 132, 140; D14/125, 126, 300, 341, 371, 374, 448, D14/450, 507; D26/39; D29/102, 103, D29/104, 122

CPC ..... A42B 1/00; A42B 1/002; A42B 1/004; A42B 1/006; A42B 1/06; A42B 1/22; A42B 1/225; A42B 1/24; A42B 1/242; A42B 1/244; A42B 1/245; A42B 1/248; G02B 27/017; G02B 27/172; G02B 23/125; G09F 21/02; G09F 2021/023

See application file for complete search history.

(56) **References Cited**

**U.S. PATENT DOCUMENTS**

65,871 A 6/1867 Browne  
168,063 A 9/1875 Taylor

175,399 A 3/1876 Wheldon et al.  
175,733 A 4/1876 Myers et al.  
176,714 A 4/1876 Vanhon  
260,332 A 6/1882 Simonson  
740,330 A 9/1903 Luther  
761,601 A 5/1904 Oscar  
D39,680 S 12/1908 Boelofs  
1,114,400 A 10/1914 Abraham  
1,190,427 A 7/1916 Kromer, Jr.  
1,196,823 A 9/1916 Tokutaro  
1,215,311 A 2/1917 Thomas

(Continued)

**FOREIGN PATENT DOCUMENTS**

CN 203327079 U 12/2013  
WO WO-2012061438 A2 5/2012  
WO WO-2014054211 A1 4/2014

**OTHER PUBLICATIONS**

U.S. Appl. No. 29/499,861, filed Aug. 19, 2014, Zenoff.

(Continued)

*Primary Examiner* — Karen E Eldridge Powers

*Assistant Examiner* — Jasmine Mlinarcik

(74) *Attorney, Agent, or Firm* — Fenwick & West LLP

(57) **CLAIM**

The ornamental design for a ball cap with circular-shaped electronic display screen, as shown.

**DESCRIPTION**

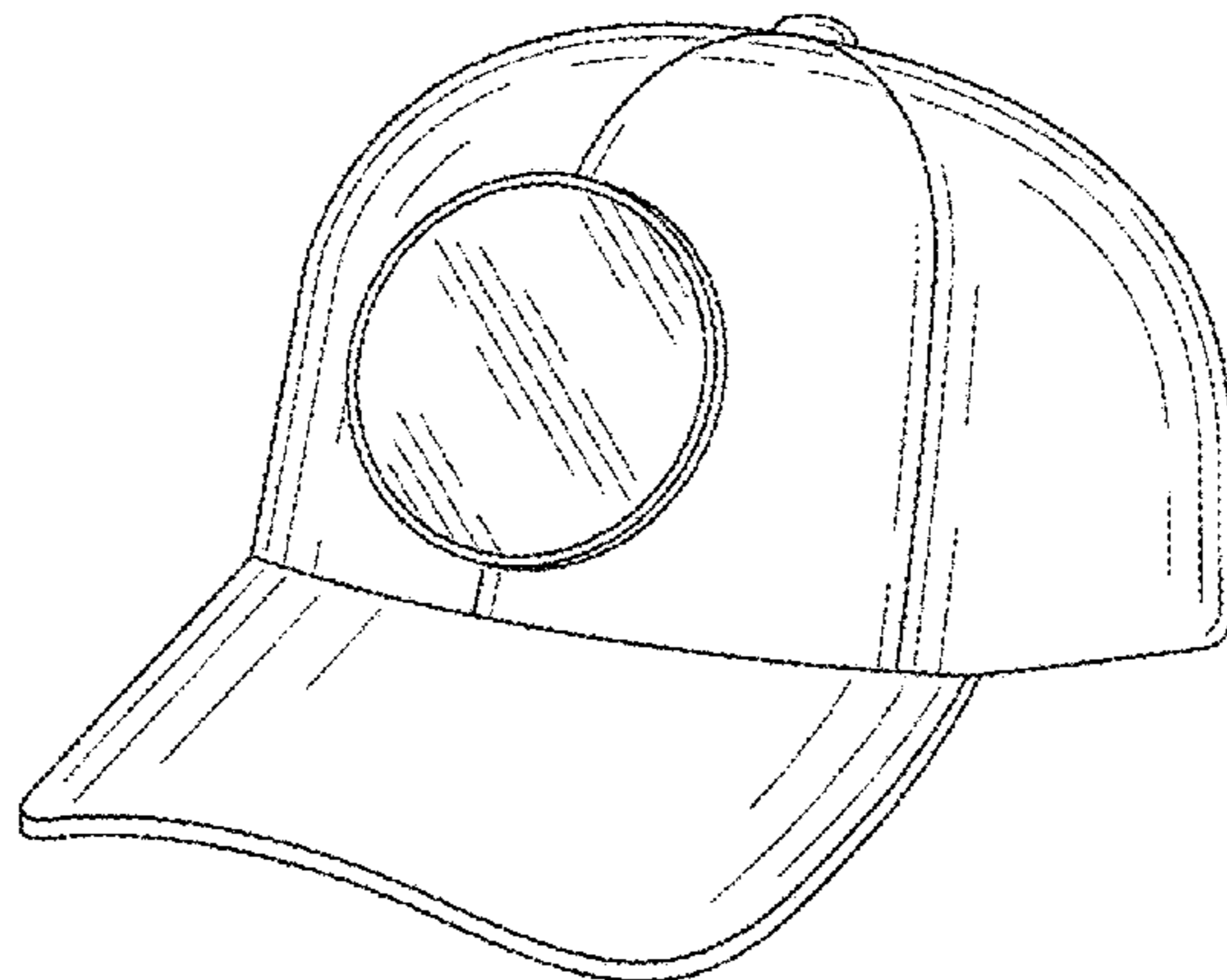
FIG. 1 shows a perspective view of a ball cap with circular-shaped electronic display screen;

FIG. 2 shows a front elevation view of the ball cap with circular-shaped electronic display screen;

FIG. 3 shows a side elevation view of the ball cap with circular-shaped electronic display screen; and,

FIG. 4 shows a top plan view of the ball cap with circular-shaped electronic display screen.

**1 Claim, 2 Drawing Sheets**



(56)

References Cited

U.S. PATENT DOCUMENTS

1,222,528 A	4/1917	Leon	5,476,194 A	12/1995	Hippely et al.
1,378,977 A	5/1921	Parmley	5,477,629 A	12/1995	Gleason, Jr.
D58,303 S	7/1921	Bartholomew	D367,158 S	2/1996	Baker
1,427,891 A	9/1922	Ziegler	D370,354 S	6/1996	Deakyne
D62,863 S	8/1923	Strauss	5,548,847 A *	8/1996	Spicijaric ..... A42B 1/248 2/181
1,481,975 A	1/1924	Bender	5,621,914 A	4/1997	Ramone et al.
D64,441 S	4/1924	Cavell	5,632,044 A	5/1997	Sloot
1,502,160 A	7/1924	Reinthal	5,638,202 A	6/1997	Rofe
D66,331 S	12/1924	Pegg	D383,892 S *	9/1997	Virzi ..... D2/866
1,560,073 A	11/1925	Bontempi et al.	D389,754 S	1/1998	Skubala
1,566,663 A	12/1925	Finkelstein	D391,741 S	3/1998	Baker
1,582,812 A	4/1926	Avin	D396,546 S	8/1998	Marrs
1,586,242 A	5/1926	Duthie	D396,938 S	8/1998	Bugatti
1,606,798 A	11/1926	Karger	D397,239 S	8/1998	Marrs
1,616,475 A	2/1927	Tracey	5,794,267 A	8/1998	Wallace
D73,128 S	7/1927	Harris	D397,838 S	9/1998	Waggonner
D79,398 S	9/1929	Edward	5,823,328 A	10/1998	Fomby
1,782,414 A	11/1930	Duer	D401,086 S	11/1998	Hellwig
1,784,970 A	12/1930	Melton	D401,738 S	12/1998	Scerbo
D95,170 S	4/1935	Baumgard	D403,491 S	1/1999	Wyatt et al.
2,094,104 A	9/1937	Lee et al.	D405,239 S	2/1999	Kostinko
D115,046 S	5/1939	Marks	D406,687 S	3/1999	Thorpe
2,226,133 A	12/1940	Lee, Jr.	D407,190 S	3/1999	Day
2,252,207 A	8/1941	Rodgers	5,943,698 A	8/1999	Blanks
D130,393 S	11/1941	Maxwell et al.	5,945,179 A	8/1999	Gautreanu
2,298,381 A	10/1942	Horwitz	5,960,476 A	10/1999	Danzly
2,387,482 A	10/1945	Vineberg	D417,063 S	11/1999	Henning
2,440,407 A	4/1948	Kuenstner	D418,279 S *	1/2000	Day ..... D2/882
2,445,922 A	7/1948	Ostolaza et al.	6,012,172 A	1/2000	Steffy
D162,354 S	3/1951	Smith	6,022,599 A	2/2000	Rietveld et al.
2,604,807 A	7/1952	Woodburn	D424,282 S	5/2000	Crumpton et al.
2,682,667 A	7/1954	Michelstetter	D427,751 S	7/2000	Richlin
2,776,435 A	1/1957	Trimpert	6,154,992 A *	12/2000	Lee ..... A42B 1/248 2/209.13
2,839,860 A	6/1958	Fry	D436,991 S	1/2001	Morgante
D193,829 S	10/1962	Van-Den-Berg	D438,374 S	3/2001	Hayman
3,346,153 A	10/1967	Galasso	D441,191 S	5/2001	Vazquez
3,556,115 A	1/1971	Benson	D444,618 S	7/2001	Wilson
D221,719 S	8/1971	Hoskins	D447,318 S	9/2001	Gath
D231,356 S	4/1974	Kurz	6,308,445 B1	10/2001	Porraro
3,895,797 A	7/1975	Moore	D452,767 S *	1/2002	Balloni ..... D2/882
3,959,826 A	6/1976	Hakanson	D453,610 S	2/2002	Lee
D251,336 S	3/1979	Getgey	6,370,696 B1	4/2002	Kronenberger
D255,397 S	6/1980	Button	D459,059 S	6/2002	Park
D263,092 S	2/1982	Fay	D459,094 S	6/2002	Stone et al.
4,529,278 A	7/1985	Nugent	6,408,443 B1	6/2002	Park
4,535,478 A	8/1985	Zuefle	D460,604 S *	7/2002	Sullivan, Jr. .... D2/882
4,611,355 A	9/1986	Galanto et al.	6,470,499 B1	10/2002	Joiner
4,636,047 A	1/1987	Green	D470,450 S	2/2003	Olzak
4,671,003 A	6/1987	Vitol	D472,695 S	4/2003	Lee
D292,044 S	9/1987	Billiet	D473,039 S	4/2003	Erspamer
4,710,981 A	12/1987	Sanchez	6,588,021 B2	7/2003	Kronenberger
4,827,384 A	5/1989	Von Schlemmer	D478,710 S	8/2003	Yan
4,834,688 A	5/1989	Jones	D482,185 S	11/2003	Park
4,873,726 A *	10/1989	Tapia ..... A42B 1/064 2/10	6,643,847 B1	11/2003	Dornak
4,924,613 A	5/1990	Levin	D483,173 S	12/2003	Harris et al.
5,054,127 A	10/1991	Zevchak	D483,928 S	12/2003	Mansell et al.
5,070,545 A	12/1991	Tapia	6,672,748 B2	1/2004	Baldwin
5,099,594 A	3/1992	Reas et al.	D487,329 S	3/2004	Prinz
5,102,129 A	4/1992	Roberts	6,751,805 B1	6/2004	Austion
5,131,177 A	7/1992	Sy, Jr.	D494,745 S *	8/2004	Kronenberger ..... D2/882
5,167,559 A	12/1992	Power-Fardy	D496,146 S	9/2004	Appleberry
D333,030 S	2/1993	Wilkes	D496,775 S	10/2004	Tanner
5,253,368 A	10/1993	Blake	D497,648 S	10/2004	Carlson
D341,712 S	11/1993	Fulcher	6,810,533 B1	11/2004	Nahabedian et al.
5,305,538 A	4/1994	Kanzelberger	6,820,281 B2	11/2004	Mariland et al.
D347,102 S	5/1994	Strasner	D502,589 S	3/2005	Lee
D350,221 S	9/1994	Van Doren	D509,947 S	9/2005	Fortune
5,359,733 A *	11/1994	Brannon ..... A42B 1/248 2/195.1	6,948,189 B2	9/2005	Early
5,437,062 A	8/1995	Douglas	D517,283 S *	3/2006	Shin ..... D2/865
5,452,479 A	9/1995	Mostert	D522,559 S	6/2006	Naito et al.
5,454,120 A	10/1995	Rowlands	D523,612 S *	6/2006	Steger ..... D2/882
5,462,471 A	10/1995	Power-Fardy	D539,012 S	3/2007	Evans
5,465,426 A	11/1995	Beaton	D543,014 S	5/2007	Sharpe et al.
			D543,338 S	5/2007	Park
			7,219,374 B2	5/2007	Cho
			D548,657 S	8/2007	Eskandry
			D558,427 S	1/2008	Solin

(56)

References Cited

U.S. PATENT DOCUMENTS

D558,431 S	1/2008	Pritchett		8,869,312 B2 *	10/2014	Tuohy .....	A42B 1/248 2/209.13
D558,955 S *	1/2008	Taylor .....	D2/872	D716,528 S	11/2014	Badish	
7,331,064 B1	2/2008	Quintal		D717,019 S	11/2014	Van	
7,424,751 B1	9/2008	Miller		D718,731 S *	12/2014	Lee .....	D14/126
D577,879 S	10/2008	Jones		8,898,820 B2	12/2014	Sokolowski et al.	
D580,184 S	11/2008	Svendsen et al.		8,905,560 B1	12/2014	Zadro	
7,490,364 B2	2/2009	Kim		D721,874 S	2/2015	Robbins et al.	
D600,879 S	9/2009	Accardi		8,950,012 B2	2/2015	Ilges et al.	
D603,144 S *	11/2009	South .....	D2/882	D727,150 S	4/2015	Leitch et al.	
D603,585 S *	11/2009	Capriola .....	D2/866	D729,650 S	5/2015	Phillips et al.	
7,621,000 B1	11/2009	Fulton		D730,563 S	5/2015	Renshaw et al.	
D606,284 S	12/2009	Caten et al.		D733,130 S	6/2015	Kim et al.	
D607,627 S	1/2010	Kowalczyk		D734,329 S	7/2015	Lee	
D608,531 S *	1/2010	Kronenberger .....	D2/891	D736,495 S	8/2015	Bednarz	
D613,037 S	4/2010	Iamartino et al.		D736,768 S	8/2015	Kuwabara et al.	
D617,636 S	6/2010	Vanhoutte		D736,993 S	8/2015	Wang et al.	
D619,336 S	7/2010	Eyl		D738,071 S	9/2015	Kamhi et al.	
D619,789 S	7/2010	Barany		D739,403 S	9/2015	David et al.	
D621,590 S *	8/2010	Martin .....	D2/879	9,161,584 B1	10/2015	Garrett, Jr.	
D624,286 S	9/2010	Hall		D743,149 S	11/2015	Brandelli	
D625,082 S	10/2010	Jones		D745,251 S	12/2015	Bednarz	
D629,183 S	12/2010	Adams et al.		D745,252 S	12/2015	Bednarz	
D630,822 S	1/2011	Thomas		D746,283 S	12/2015	Cha et al.	
D635,336 S	4/2011	Alger		D748,091 S	1/2016	Akana et al.	
D635,743 S	4/2011	Johnson		D748,379 S	2/2016	Fitzpatrick et al.	
D635,976 S	4/2011	Lee et al.		D751,277 S *	3/2016	Fishman .....	D2/895
D636,562 S	4/2011	Lam et al.		D751,794 S	3/2016	Zenoff	
7,926,122 B1	4/2011	Countryman		D751,795 S	3/2016	Zenoff	
7,974,432 B1	7/2011	Ryan		D751,796 S	3/2016	Gewirz et al.	
7,992,224 B2 *	8/2011	Tai .....	A42B 1/06 2/175.4	D754,422 S	4/2016	Andrew	
8,008,564 B2 *	8/2011	Wilens .....	A42B 1/245 84/600	D754,422 S	4/2016	Andrew	
D647,286 S	10/2011	Malek		D760,475 S	7/2016	Zenoff	
D647,689 S	11/2011	Girbaud et al.		D761,912 S	7/2016	Zenoff	
D649,040 S	11/2011	Sanders		D764,592 S	8/2016	Zenoff	
D649,744 S	12/2011	Weinshanker		D764,770 S	8/2016	Zenoff	
D653,017 S	1/2012	Hamlin		D764,771 S	8/2016	Zenoff	
D654,251 S	2/2012	Alkas-Shamoun		D764,772 S	8/2016	Zenoff	
D655,601 S	3/2012	Daley et al.		D765,357 S	9/2016	Zenoff	
D657,424 S	4/2012	Podd		D772,226 S	11/2016	Zenoff	
D658,603 S	5/2012	Egawa et al.		RE46,259 E *	1/2017	Kim .....	D14/374
D658,899 S	5/2012	Zadro		D776,202 S	1/2017	Zenoff	
D659,351 S	5/2012	Benkendorfer		D776,761 S	1/2017	Zenoff	
D660,554 S	5/2012	Blackshear		D776,762 S	1/2017	Zenoff	
D661,061 S	6/2012	Eveleth		D778,037 S	2/2017	Zenoff	
D661,063 S	6/2012	Eveleth		2001/0034894 A1 *	11/2001	Godfrey .....	A42B 1/248 2/209.13
D661,446 S	6/2012	Davis		2003/0073412 A1	4/2003	Meade et al.	
D670,068 S	11/2012	Bomze		2003/0221234 A1	12/2003	Wang	
D670,892 S	11/2012	Epstein		2004/0221368 A1	11/2004	Okot	
D671,716 S	12/2012	Lam et al.		2005/0132470 A1	6/2005	Wong	
D672,294 S	12/2012	Thompson		2005/0214495 A1	9/2005	Thiebaut	
8,364,220 B2	1/2013	Sandmore		2006/0112707 A1	6/2006	Tu	
D681,867 S	5/2013	Wegger et al.		2006/0117458 A1	6/2006	Ishihara et al.	
8,453,265 B2	6/2013	Forte et al.		2006/0206985 A1	9/2006	Proctor	
8,458,820 B2	6/2013	Cleva		2006/0209218 A1	9/2006	Lee et al.	
D693,099 S	11/2013	Purdy		2006/0249404 A1	11/2006	Adams	
8,626,586 B1	1/2014	Biere et al.		2007/0056078 A1 *	3/2007	Tseng .....	A42C 5/02 2/171
D699,928 S	2/2014	Tien		2007/0143906 A1	6/2007	Renteria	
D701,504 S	3/2014	Christopher et al.		2007/0182664 A1	8/2007	Himmele	
8,677,515 B2	3/2014	Ishihara et al.		2007/0247312 A1	10/2007	Sekine	
D702,928 S	4/2014	White		2007/0256213 A1	11/2007	Dunavin	
D703,069 S	4/2014	Adams et al.		2008/0000013 A1	1/2008	Talley	
D704,925 S	5/2014	Cho		2009/0084009 A1	4/2009	Vandergriff et al.	
D705,527 S *	5/2014	Clark .....	D2/866	2009/0251888 A1	10/2009	Douglas	
D708,427 S	7/2014	Cho		2009/0306485 A1	12/2009	Bell	
D709,675 S *	7/2014	Cho .....	D2/882	2009/0310290 A1	12/2009	Tennent	
D710,220 S	8/2014	Daniel		2010/0058514 A1	3/2010	Koh	
D710,569 S	8/2014	Pelengaris		2010/0095573 A1	4/2010	Lifshitz	
D711,002 S	8/2014	Ohnemus et al.		2010/0100004 A1	4/2010	Van	
D711,874 S	8/2014	Cope		2010/0131613 A1	5/2010	Jonsson et al.	
D712,635 S	9/2014	Rivas		2010/0299979 A1 *	12/2010	LaMere .....	A42B 1/248 40/329
D713,622 S	9/2014	Steel		2010/0306808 A1	12/2010	Neumeier et al.	
D714,031 S	9/2014	Javits, Jr.		2010/0313334 A1 *	12/2010	Moy .....	A42B 1/248 2/209.13
D716,078 S	10/2014	Theisen et al.		2011/0041238 A1	2/2011	Brzoska	
				2011/0088715 A1	4/2011	Lee et al.	
				2011/0094016 A1	4/2011	Paulson	

(56)

## References Cited

## U.S. PATENT DOCUMENTS

2011/0187681	A1	8/2011	Kim et al.	
2011/0246908	A1	10/2011	Akram et al.	
2011/0295749	A1	12/2011	Scalisi	
2012/0005809	A1*	1/2012	Johnson .....	A42B 1/248 2/209.13
2012/0089437	A1	4/2012	Amento et al.	
2012/0163269	A1	6/2012	Shuster et al.	
2012/0198600	A1	8/2012	Niazi	
2012/0210616	A1	8/2012	Laraque	
2012/0256902	A1	10/2012	Tam et al.	
2012/0264492	A1	10/2012	Stewart	
2012/0324076	A1	12/2012	Zerr et al.	
2013/0188322	A1	7/2013	Lowe et al.	
2013/0222270	A1	8/2013	Winkler et al.	
2013/0333095	A1	12/2013	Dudick	
2014/0053316	A1	2/2014	Su	
2014/0098009	A1	4/2014	Prest et al.	
2014/0111323	A1	4/2014	Strout et al.	
2014/0121539	A1	5/2014	Chatterjee et al.	
2014/0160055	A1	6/2014	Margolis et al.	
2014/0173807	A1	6/2014	Waters	
2014/0176417	A1	6/2014	Young et al.	
2015/0033445	A1	2/2015	Warner et al.	
2015/0096104	A1	4/2015	Kim	
2015/0146903	A1	5/2015	Mariasov	
2015/0164166	A1	6/2015	Tsai	
2015/0250245	A1	9/2015	Waters	
2015/0312975	A1	10/2015	Tischler et al.	
2016/0019821	A1	1/2016	Haddad	

## OTHER PUBLICATIONS

U.S. Appl. No. 29/499,867, filed Aug. 19, 2014, Zenoff.  
U.S. Appl. No. 29/499,866, filed Aug. 19, 2014, Zenoff.  
U.S. Appl. No. 29/500,139, filed Aug. 21, 2014, Zenoff.  
U.S. Appl. No. 29/500,381, filed Aug. 25, 2014, Zenoff.  
U.S. Appl. No. 29/500,384, filed Aug. 25, 2014, Zenoff.  
U.S. Appl. No. 29/500,387, filed Aug. 25, 2014, Zenoff.  
U.S. Appl. No. 29/500,391, filed Aug. 25, 2014, Zenoff.  
U.S. Appl. No. 29/500,393, filed Aug. 25, 2014, Zenoff.  
U.S. Appl. No. 29/500,399, filed Aug. 25, 2014, Zenoff.  
U.S. Appl. No. 29/500,405, filed Aug. 25, 2014, Zenoff.  
U.S. Appl. No. 29/500,407, filed Aug. 25, 2014, Zenoff.  
U.S. Appl. No. 29/500,408, filed Aug. 25, 2014, Zenoff.  
U.S. Appl. No. 29/500,504, filed Aug. 26, 2014, Zenoff.  
U.S. Appl. No. 29/500,506, filed Aug. 26, 2014, Zenoff.  
U.S. Appl. No. 29/500,509, filed Aug. 26, 2014, Zenoff.  
U.S. Appl. No. 29/500,512, filed Aug. 26, 2014, Zenoff.  
U.S. Appl. No. 29/500,514, filed Aug. 26, 2014, Zenoff.  
U.S. Appl. No. 29/500,546, filed Aug. 26, 2014, Zenoff.  
U.S. Appl. No. 29/500,551, filed Aug. 26, 2014, Zenoff.  
U.S. Appl. No. 29/500,553, filed Aug. 26, 2014, Zenoff.  
U.S. Appl. No. 29/500,555, filed Aug. 26, 2014, Zenoff.  
U.S. Appl. No. 29/500,557, filed Aug. 26, 2014, Zenoff.  
U.S. Appl. No. 29/500,558, filed Aug. 26, 2014, Zenoff.  
U.S. Appl. No. 29/500,562, filed Aug. 26, 2014, Zenoff.  
U.S. Appl. No. 29/500,564, filed Aug. 26, 2014, Zenoff.  
ALIBABA.com. Mobile billboard advertising led truck new technology product in china mobile truck led tv screen. Available at [http://www.alibaba.com/product-detail/mobile-billboard-advertising-led-truck-new\\_60181386676.html](http://www.alibaba.com/product-detail/mobile-billboard-advertising-led-truck-new_60181386676.html). Accessed on Jul. 24, 2015.  
WEBBOZZ.com. Stylish Circular Display Smart Watch—Motorola Moto 360. Feb. 2013. Available at <http://www.webbozz.com/stylish-circular-display-smart-watch-motorola-moto-360>. Accessed on Jul. 23, 2015.  
Notice of allowance dated Jun. 14, 2016 for U.S. Appl. No. 29/500,509 of inventor Andrew Zenoff.  
Notice of allowance dated Jun. 15, 2016 for U.S. Appl. No. 29/500,555 of inventor Andrew Zenoff.  
Notice of allowance dated Jun. 22, 2016 for U.S. Appl. No. 29/500,384 of inventor Andrew Zenoff.

Notice of allowance dated Jun. 22, 2016 for U.S. Appl. No. 29/500,387 of inventor Andrew Zenoff.  
Notice of allowance dated Jun. 22, 2016 for U.S. Appl. No. 29/500,391 of inventor Andrew Zenoff.  
Ex Parte Quayle Action dated Feb. 17, 2016 for U.S. Appl. No. 29/500,551 of inventor Andrew Zenoff.  
Ex Parte Quayle action dated Feb. 17, 2016 for U.S. Appl. No. 29/500,553 of inventor Andrew Zenoff.  
Ex parte Quayle Office action dated Feb. 12, 2016 for U.S. Appl. No. 29/500,509 of inventor Andrew Zenoff.  
Ex parte Quayle Office action dated Dec. 3, 2015 for U.S. Appl. No. 29/500,562 of inventor Andrew Zenoff.  
Notice of allowance dated Feb. 3, 2016 for U.S. Appl. No. 29/500,504 of inventor Andrew Zenoff.  
Notice of allowance dated Mar. 3, 2016 for U.S. Appl. No. 29/500,555 of inventor Andrew Zenoff.  
Notice of allowance dated Apr. 25, 2016 for U.S. Appl. No. 29/500,384 of inventor Andrew Zenoff.  
Notice of allowance dated Apr. 27, 2016 for U.S. Appl. No. 29/500,387 of inventor Andrew Zenoff.  
Notice of allowance dated Apr. 27, 2016 for U.S. Appl. No. 29/500,391 of inventor Andrew Zenoff.  
Notice of allowance dated Apr. 27, 2016 for U.S. Appl. No. 29/500,509 of inventor Andrew Zenoff.  
Notice of allowance dated Nov. 6, 2015 for U.S. Appl. No. 29/500,393 of inventor Andrew Zenoff.  
Notice of allowance dated Nov. 6, 2015 for U.S. Appl. No. 29/500,399 of inventor Andrew Zenoff.  
Notice of allowance dated Nov. 24, 2015 for U.S. Appl. No. 29/499,866 of inventor Andrew Zenoff.  
Notice of allowance dated Apr. 25, 2016 for U.S. Appl. No. 29/500,381 of inventor Andrew Zenoff.  
Office action dated Feb. 12, 2016 for U.S. Appl. No. 29/500,506 of inventor Andrew Zenoff.  
Office action dated Feb. 19, 2016 for U.S. Appl. No. 29/500,512 of inventor Andrew Zenoff.  
Office action dated Feb. 22, 2016 for U.S. Appl. No. 29/500,558 of inventor Andrew Zenoff.  
Office action dated Mar. 14, 2016 for U.S. Appl. No. 29/500,546 of inventor Andrew Zenoff.  
Office action dated Apr. 20, 2016 for U.S. Appl. No. 29/500,564 of inventor Andrew Zenoff.  
Office action dated Oct. 7, 2015 for U.S. Appl. No. 29/500,564 of inventor Andrew Zenoff.  
Office action dated Oct. 8, 2015 for U.S. Appl. No. 29/500,405 of inventor Andrew Zenoff.  
Office action dated Oct. 28, 2015 for U.S. Appl. No. 29/500,514 of inventor Andrew Zenoff.  
Office action dated Nov. 5, 2015 for U.S. Appl. No. 29/500,407 of inventor Andrew Zenoff.  
Office action dated Nov. 9, 2015 for U.S. Appl. No. 29/500,408 of inventor Andrew Zenoff.  
Office action dated Nov. 16, 2015 for U.S. Appl. No. 29/499,867 of inventor Andrew Zenoff.  
Office action dated Nov. 19, 2015 for U.S. Appl. No. 29/499,861 of inventor Andrew Zenoff.  
Office action dated Nov. 23, 2015 for U.S. Appl. No. 29/500,557 of inventor Andrew Zenoff.  
Office action dated Nov. 24, 2015 for U.S. Appl. No. 29/500,139 of inventor Andrew Zenoff.  
Co-pending U.S. Appl. No. 29/589,942, filed Jan. 5, 2017 of inventor Andrew Zenoff.  
Co-pending U.S. Appl. No. 29/590,754, filed Jan. 12, 2017 of inventor Andrew Zenoff.  
“Notice of allowance dated Mar. 13, 2017 for U.S. Appl. No. 29/500,407 of inventor Andrew Zenoff.”  
Notice of allowance dated Jul. 15, 2016 for U.S. Appl. No. 29/500,514 of inventor Andrew Zenoff.  
Notice of allowance dated Aug. 29, 2016 for U.S. Appl. No. 29/500,512 of inventor Andrew Zenoff.  
Notice of allowance dated Aug. 29, 2016 for U.S. Appl. No. 29/500,551 of inventor Andrew Zenoff.

(56)

**References Cited**

OTHER PUBLICATIONS

Notice of allowance dated Sep. 1, 2016 for U.S. Appl. No. 29/500,553 of inventor Andrew Zenoff.

Notice of allowance dated Sep. 26, 2016 for U.S. Appl. No. 29/500,405 of inventor Andrew Zenoff.

Office action dated Aug. 2, 2016 for U.S. Appl. No. 29/499,861 of inventor Andrew Zenoff.

Office action dated Aug. 10, 2016 for U.S. Appl. No. 29/499,867 of inventor Andrew Zenoff.

Office action dated Aug. 12, 2016 for U.S. Appl. No. 29/500,557 of inventor Andrew Zenoff.

Office action dated Sep. 12, 2016 for U.S. Appl. No. 29/500,408 of inventor Andrew Zenoff.

Office action dated Sep. 13, 2016 for U.S. Appl. No. 29/500,407 of inventor Andrew Zenoff.

Office action dated Sep. 27, 2016 for U.S. Appl. No. 29/500,558 of inventor Andrew Zenoff.

Office action dated Dec. 2, 2016 for U.S. Appl. No. 29/500,564 of inventor Andrew Zenoff.

Office action dated Aug. 12, 2016 for U.S. Appl. No. 29/500,139 of inventor Andrew Zenoff.

\* cited by examiner

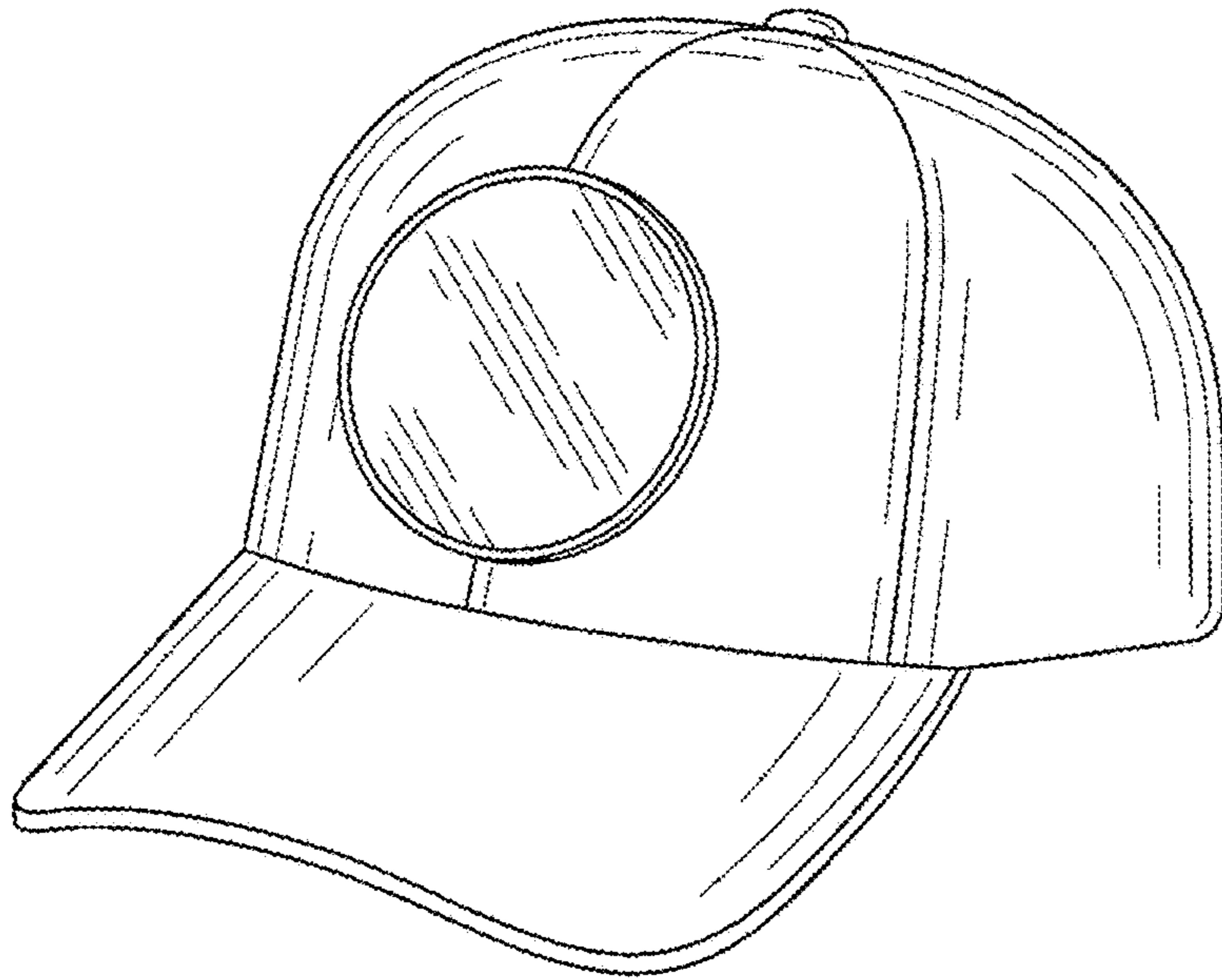


FIG. 1

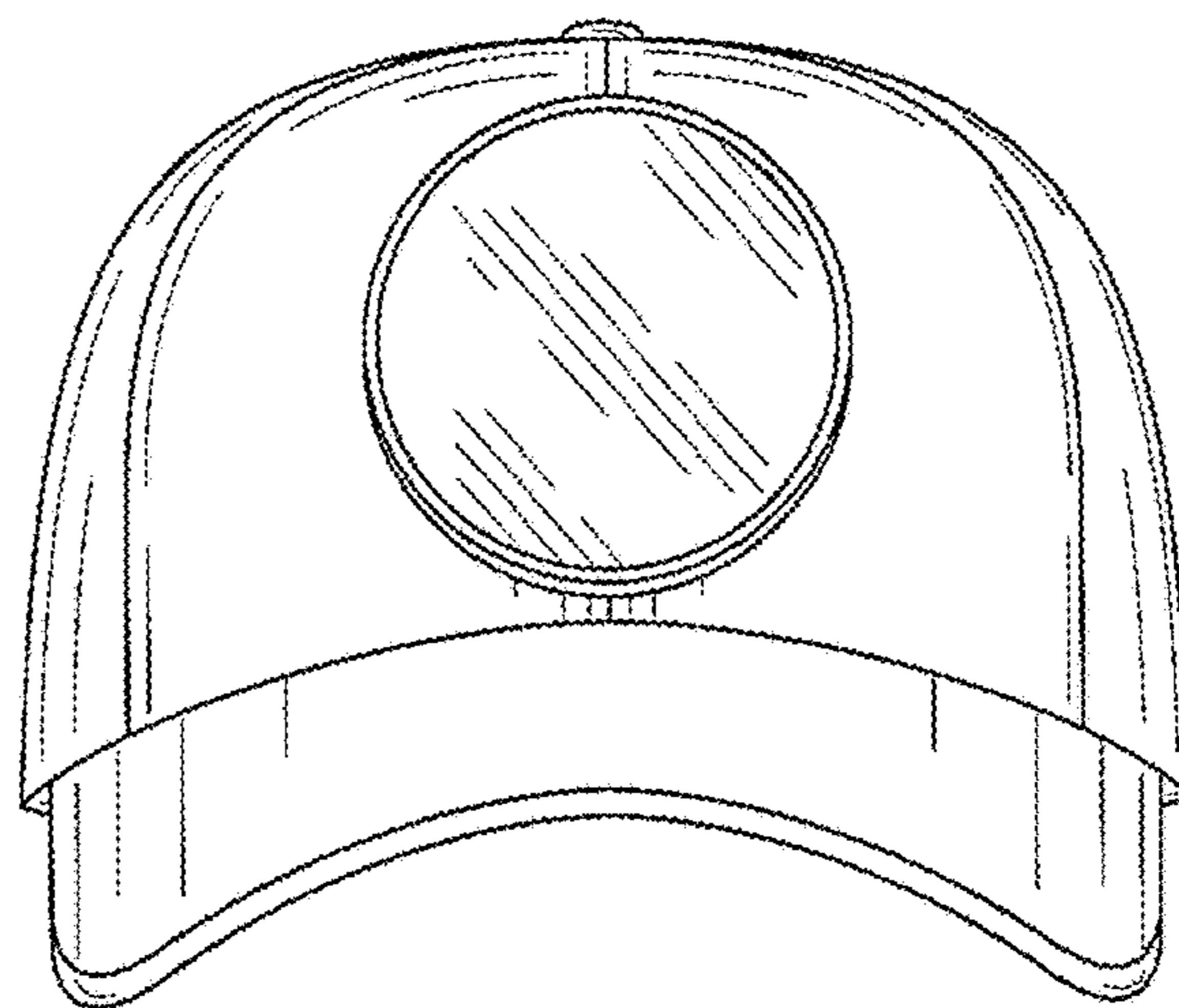


FIG. 2

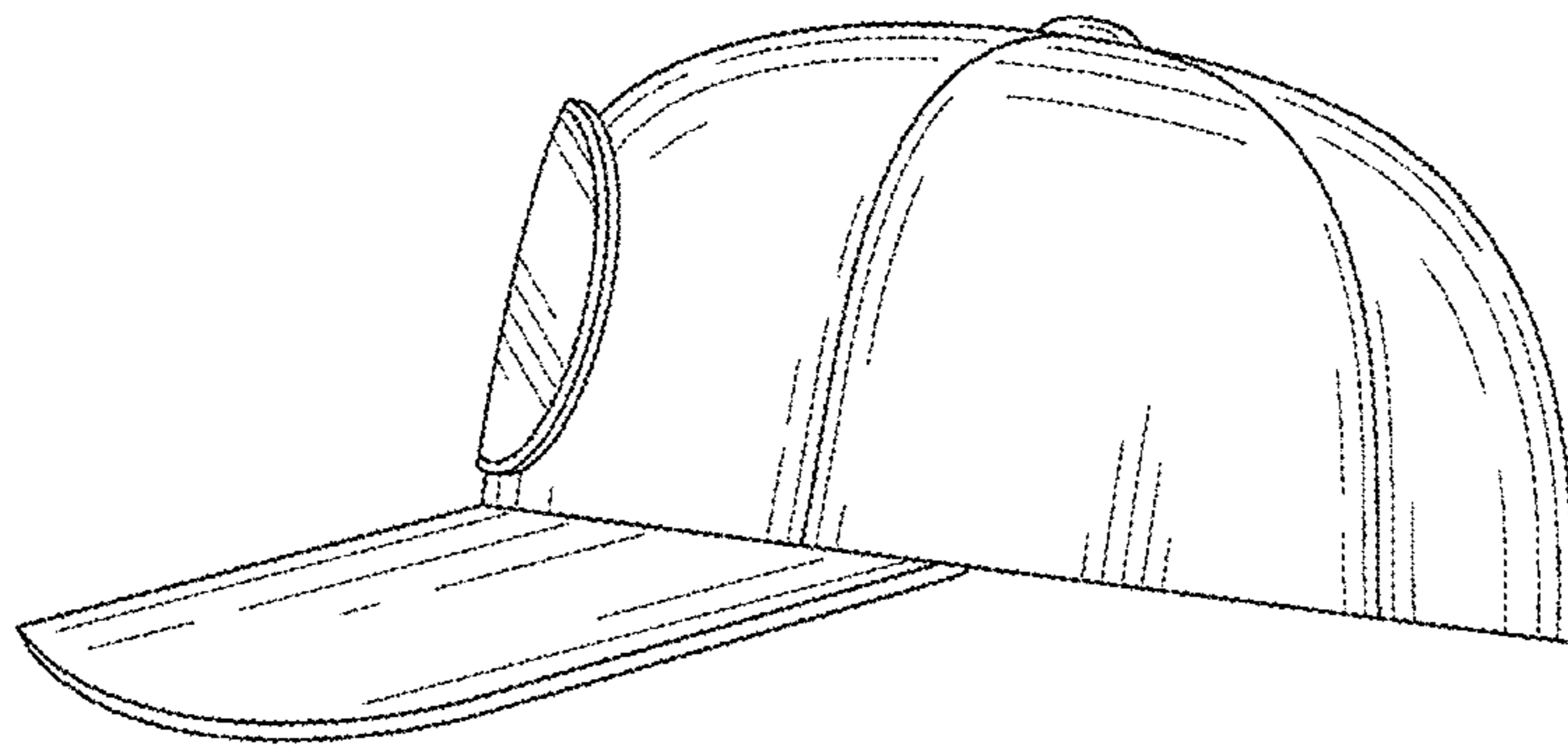


FIG. 3

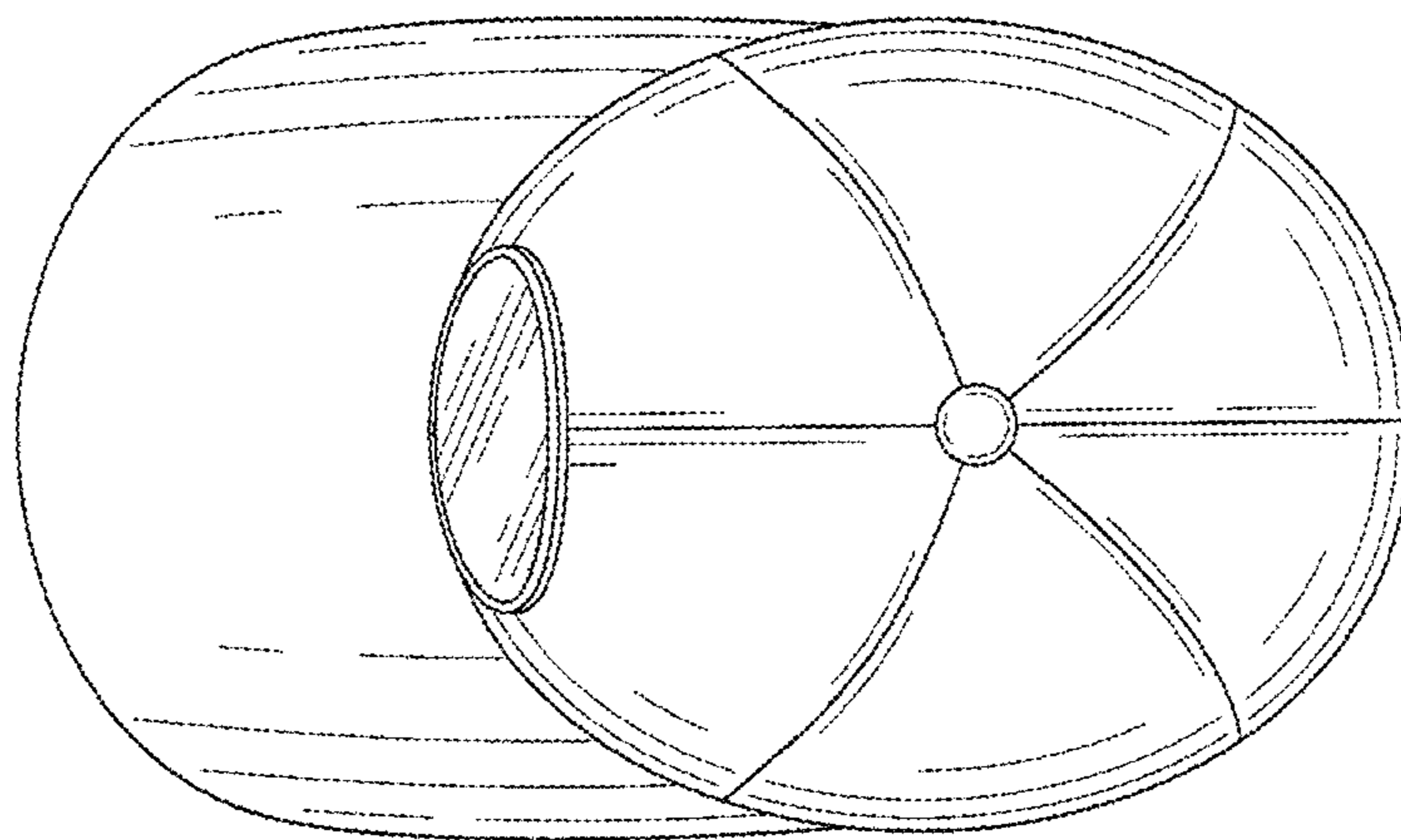


FIG. 4