



US00D811055S

(12) **United States Design Patent** (10) **Patent No.:** **US D811,055 S**
Darmour (45) **Date of Patent:** **** Feb. 27, 2018**

- (54) **GARMENT HAVING A ZIPPER ASSEMBLY**
- (71) Applicant: **NIKE, Inc.**, Beaverton, OR (US)
- (72) Inventor: **Rob Darmour**, Portland, OR (US)
- (73) Assignee: **NIKE, Inc.**, Beaverton, OR (US)
- (**) Term: **15 Years**
- (21) Appl. No.: **29/571,684**
- (22) Filed: **Jul. 20, 2016**
- (51) **LOC (11) Cl.** **02-02**
- (52) **U.S. Cl.**
 USPC **D2/853; D2/728; D2/731**
- (58) **Field of Classification Search**
 USPC D2/853, 728, 731, 716, 771, 791, 812,
 D2/857, 759-760, 831; D3/285
 CPC ... A41D 1/06; A41D 1/08; A41D 1/00; A41D
 1/18; A41D 2300/50; A41D 2300/30;
 A41D 2300/322; A41D 27/24; A41D
 27/10; A41D 2600/104
 See application file for complete search history.

- D797,410 S * 9/2017 Lomax D2/728
 D800,419 S * 10/2017 Ingram D2/728
 D801,641 S * 11/2017 Schneider D2/853
 2017/0127770 A1* 5/2017 Mert A41D 27/00
 2017/0258158 A1* 9/2017 Baiany A41D 27/205

* cited by examiner

Primary Examiner — Robin V Webster
Assistant Examiner — James C Thorn, Sr.
 (74) *Attorney, Agent, or Firm* — Shook, Hardy & Bacon
 L.L.P.

(57) **CLAIM**

The ornamental design for a garment having a zipper assembly, as shown and described.

DESCRIPTION

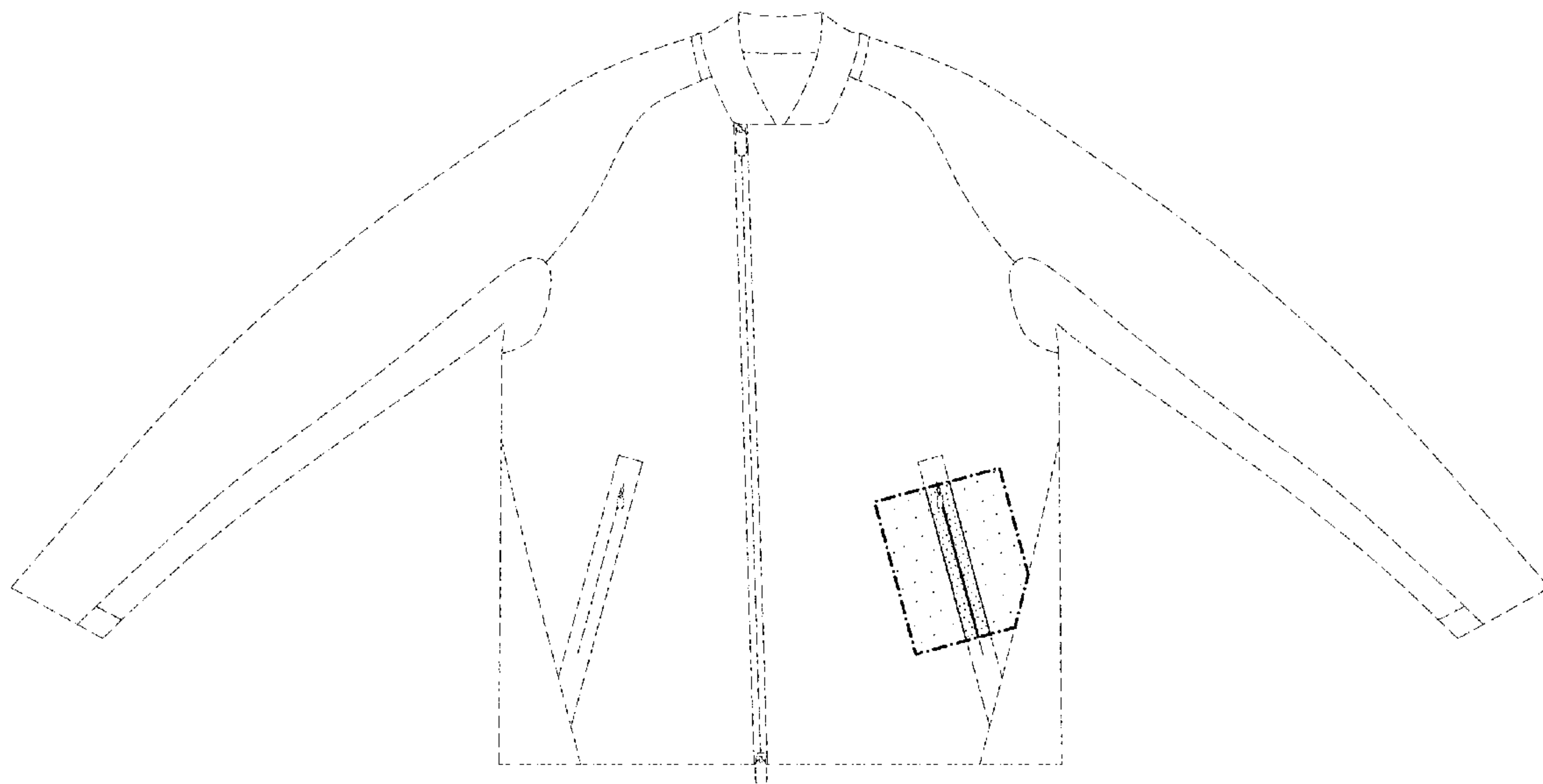
FIG. 1 is a front view of a garment having a zipper assembly showing a first embodiment of the present design in a laid-flat configuration;
 FIG. 2 is a back view of the garment of FIG. 1; and,
 FIG. 3 is a magnified view of the area indicated in FIG. 1.
 The broken lines with alternating dashes and dots, immediately adjacent to the shaded area, represent unclaimed boundaries of the design. The unshaded regions, demarcated by broken lines, represent unclaimed portions of the garment and form no part of the claimed design. The broken lines, which include even-length segments, that show the remainder of the garment, are for environmental purposes only and form no part of the claimed design. The contrast in shading represents a contrast in appearance only and does not represent any particular color, material, texture, or finish.

1 Claim, 3 Drawing Sheets

(56) **References Cited**

U.S. PATENT DOCUMENTS

- D637,795 S * 5/2011 Hooker D2/853
 D784,193 S * 4/2017 Freddi A41D 3/005
 D11/221
 D787,782 S * 5/2017 Darmour D2/731
 D788,404 S * 6/2017 Van Sisseren D2/731
 D791,444 S * 7/2017 Darmour D2/853
 D794,902 S * 8/2017 Lomax D2/637
 D796,156 S * 9/2017 Schneider D2/728



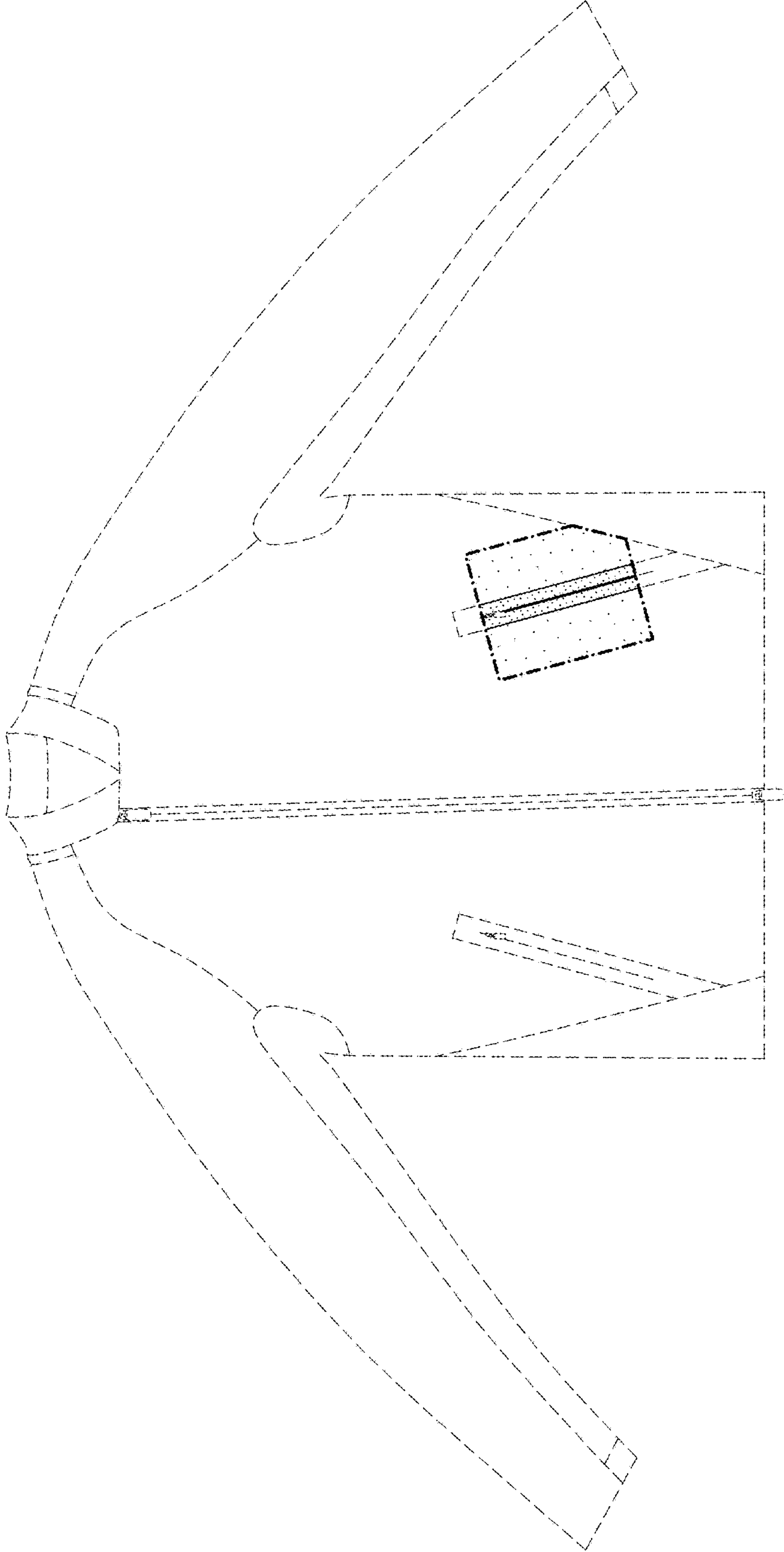


FIG. 1

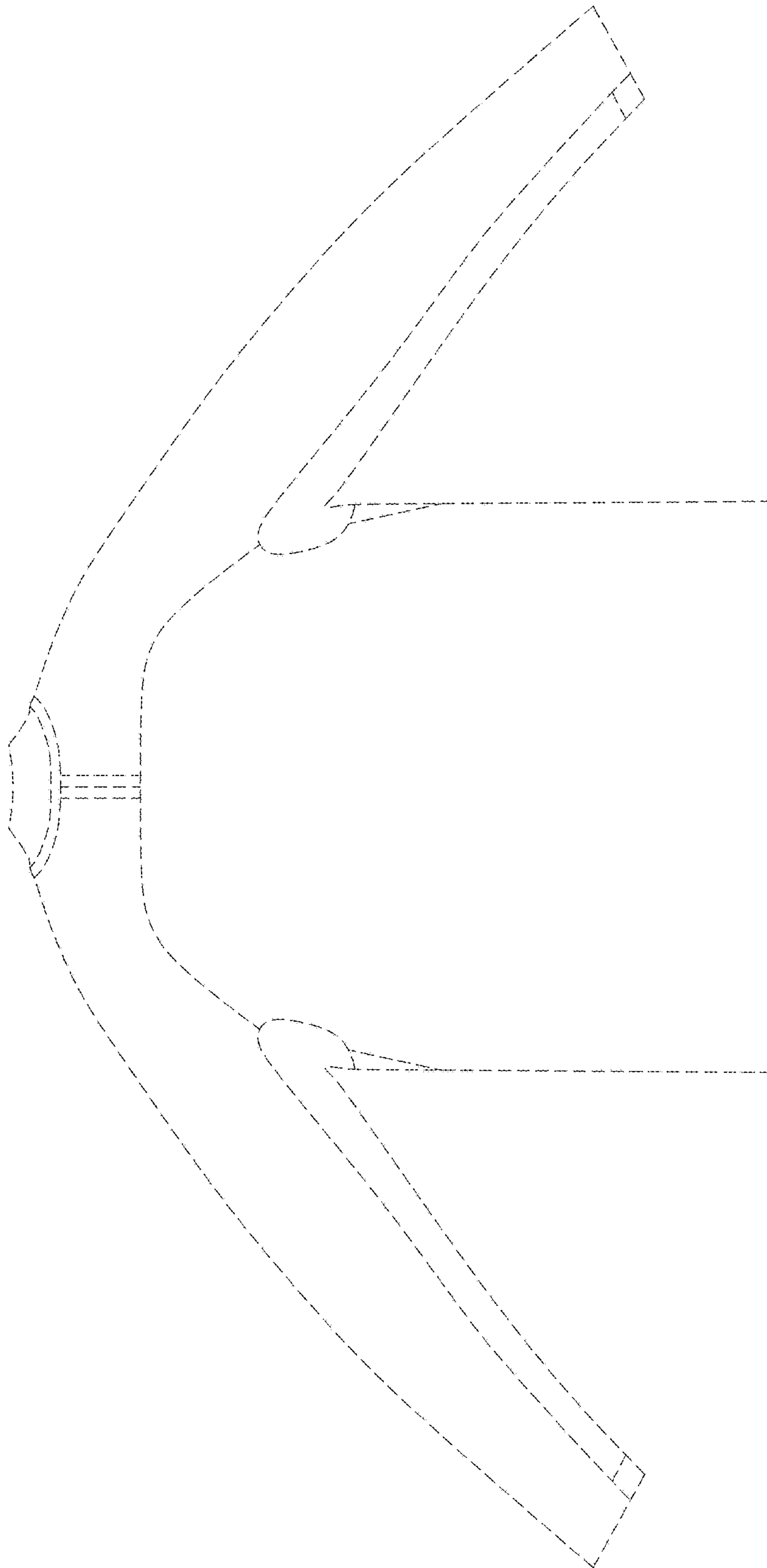


FIG. 2

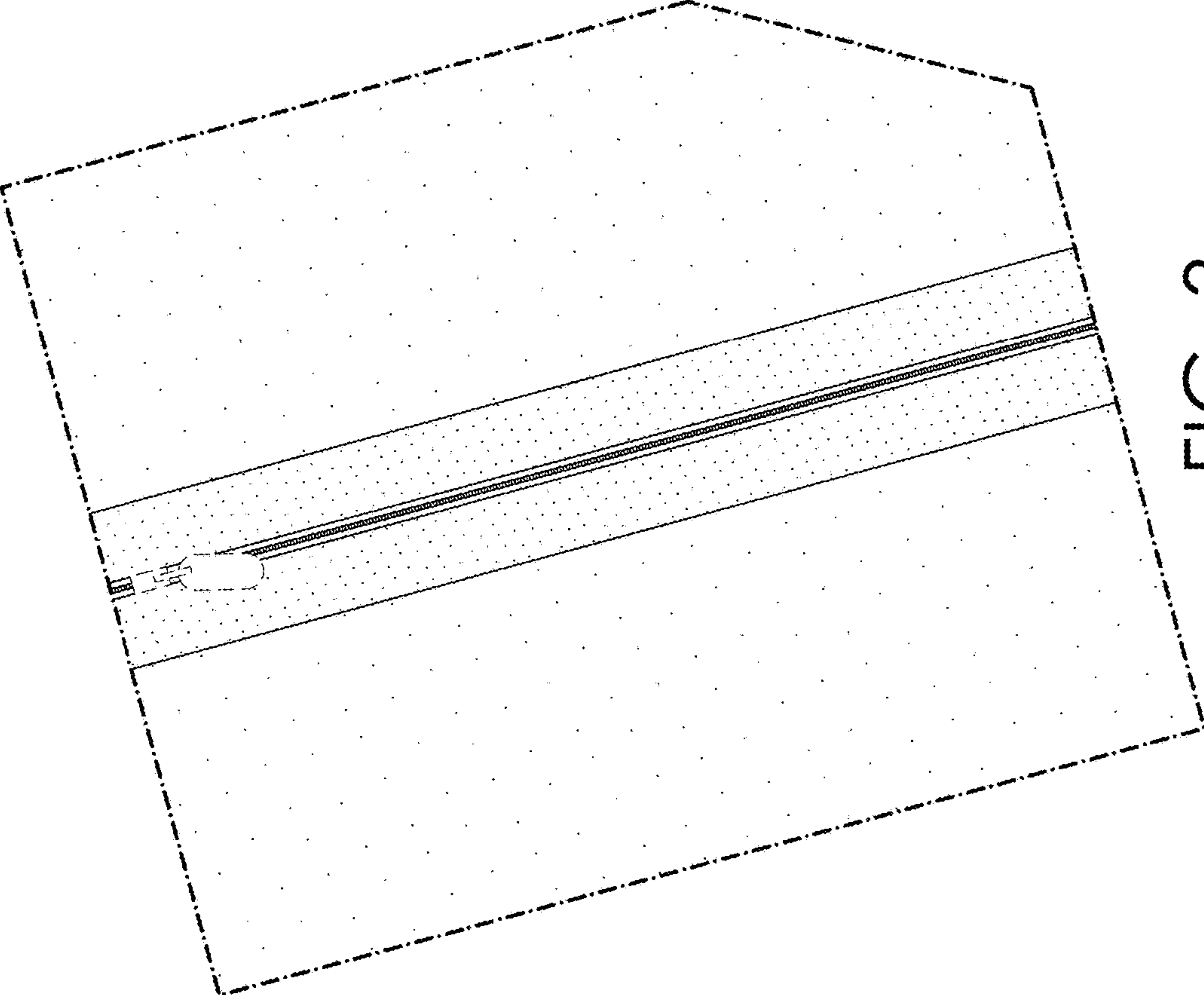


FIG. 3