



US00D811054S

(12) **United States Design Patent** (10) **Patent No.:** **US D811,054 S**
Weiss (45) **Date of Patent:** **** Feb. 27, 2018**

(54) **SHIRT**
(71) Applicant: **Howard Weiss**, Miami Beach, FL (US)
(72) Inventor: **Howard Weiss**, Miami Beach, FL (US)
(**) Term: **15 Years**
(21) Appl. No.: **29/563,569**
(22) Filed: **May 5, 2016**
(51) **LOC (11) Cl.** **02-02**
(52) **U.S. Cl.**
USPC **D2/849**
(58) **Field of Classification Search**
USPC D2/731, 849, 840
CPC A41D 27/28
See application file for complete search history.

(56) **References Cited**
U.S. PATENT DOCUMENTS
261,726 A * 7/1882 Keller A41B 1/00
2/122
601,489 A * 3/1898 Tim A41D 27/28
2/115
1,949,312 A * 2/1934 Konski A41B 1/00
2/122
2,343,103 A * 2/1944 White A41D 27/10
2/115
2,369,416 A * 2/1945 Solomon A41B 1/00
2/115
2,941,210 A * 6/1960 Bren A41D 27/10
2/115
5,105,478 A * 4/1992 Pyc A41D 27/28
2/106
5,608,913 A * 3/1997 Lacoste A41D 13/00
2/108
D661,055 S * 6/2012 McKinley D2/840
D724,292 S * 3/2015 Amarasiriwardena D2/847
D745,249 S * 12/2015 Aitch D2/700

D770,129 S * 11/2016 Lomax D2/731
D770,131 S * 11/2016 Darmour D2/731
D771,905 S * 11/2016 McArthur D2/717
D783,931 S * 4/2017 Darmour D2/731
9,713,352 B2 * 7/2017 Demarest A41D 3/00
2006/0272071 A1 * 12/2006 Mickle A41D 13/0512
2/69
2009/0098801 A1 * 4/2009 Pedersen A41C 1/02
450/7

* cited by examiner

Primary Examiner — Kevin K Rudzinski

(74) *Attorney, Agent, or Firm* — Nicholas R. Lewis, Esq.

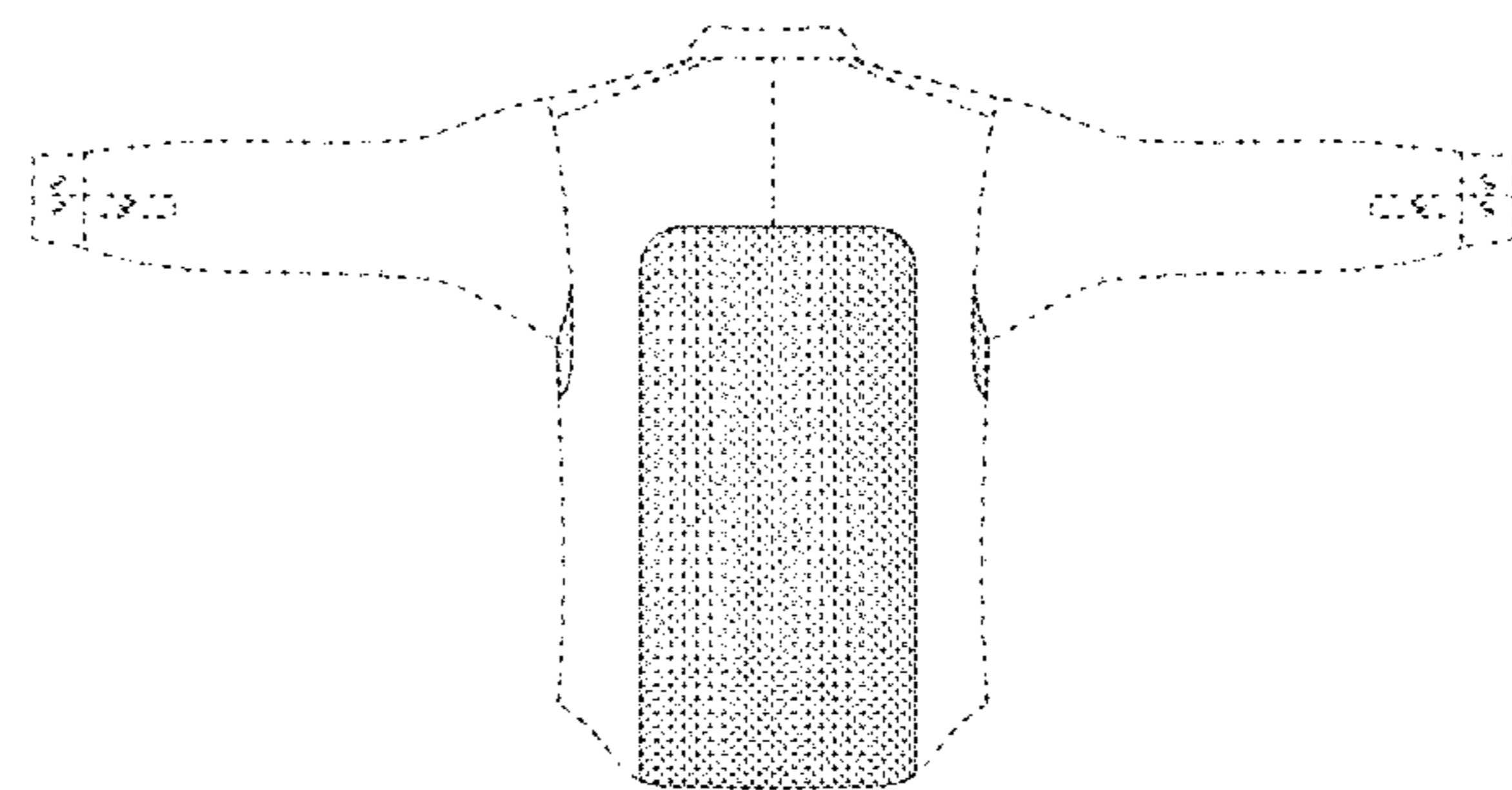
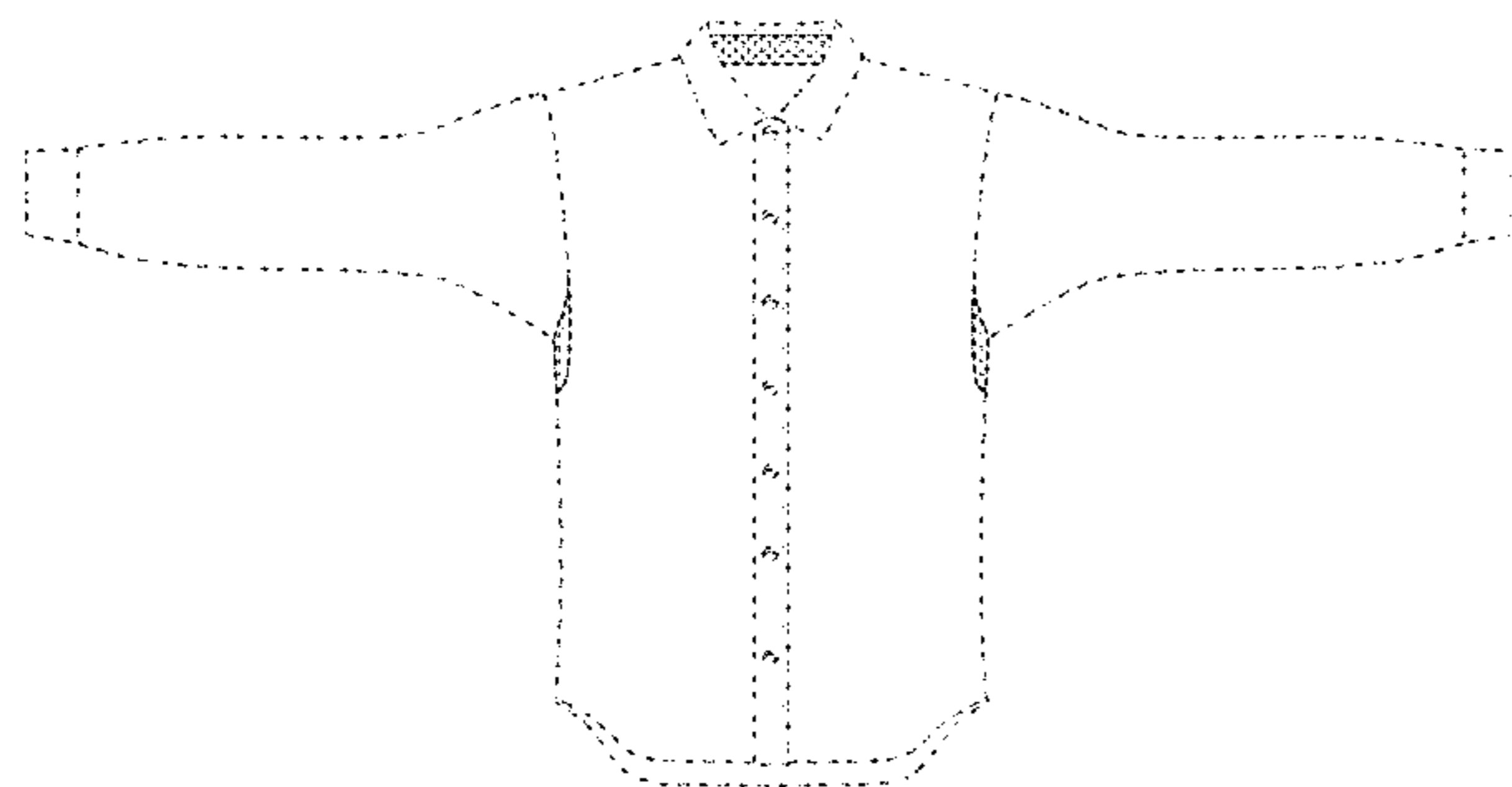
(57) **CLAIM**

The ornamental design for a shirt, as shown and described.

DESCRIPTION

FIG. 1 is a front view of an example of the shirt;
FIG. 2 is a rear view thereof;
FIG. 3 is a first side view thereof;
FIG. 4 is a second side view thereof;
FIG. 5 is a top view thereof;
FIG. 6 is a bottom view thereof;
FIG. 7 is an additional front view thereof with the collar in an upright position;
FIG. 8 is a front view of another example of the shirt;
FIG. 9 is a rear view thereof;
FIG. 10 is a first side view thereof;
FIG. 11 is a second side view thereof;
FIG. 12 is a top view thereof;
FIG. 13 is a bottom view thereof; and,
FIG. 14 is an additional front view thereof with the collar in an upright position.
The broken lines shown in the drawings illustrate portions of the shirt that form no part of the claimed design.

1 Claim, 14 Drawing Sheets



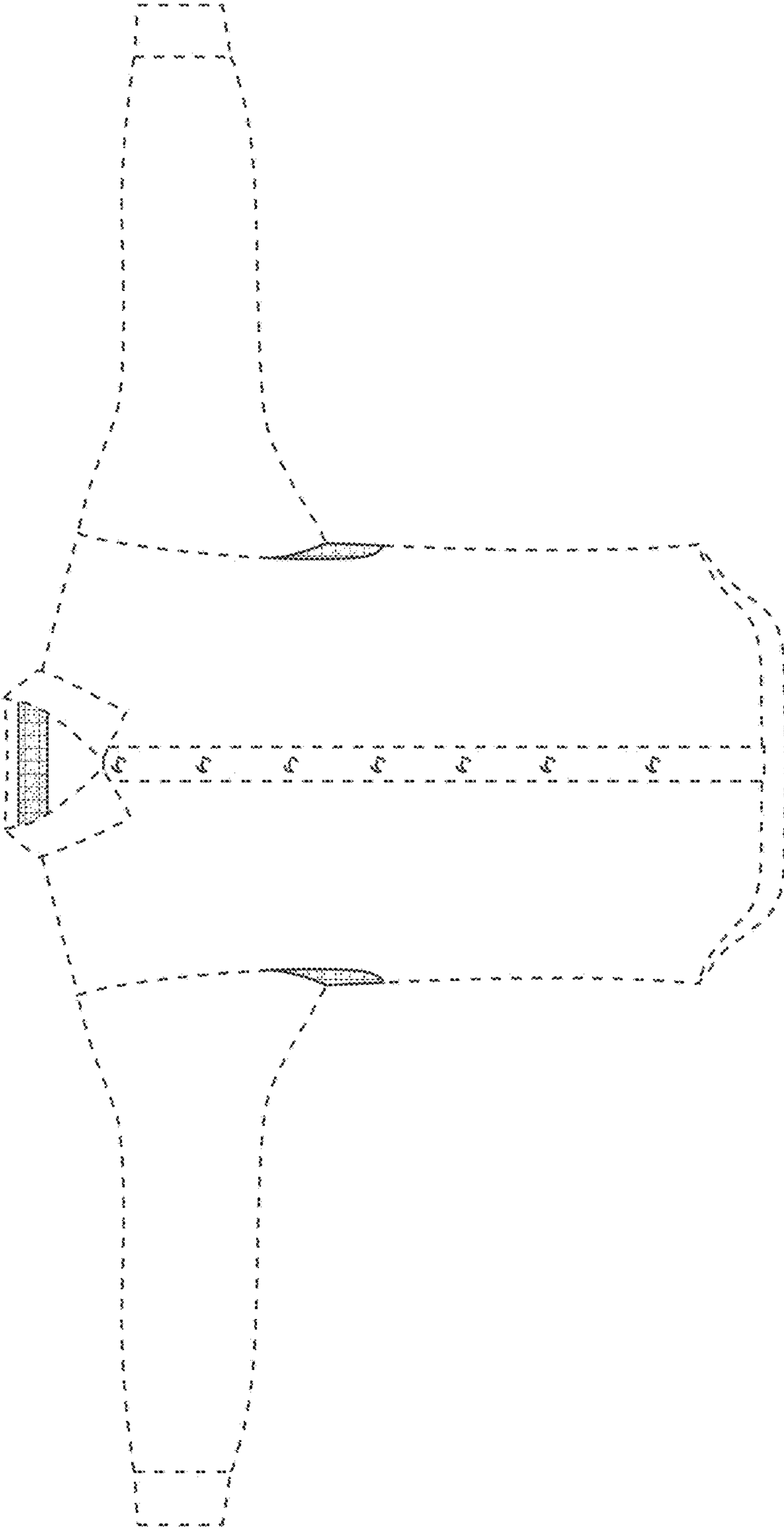


FIG. 1

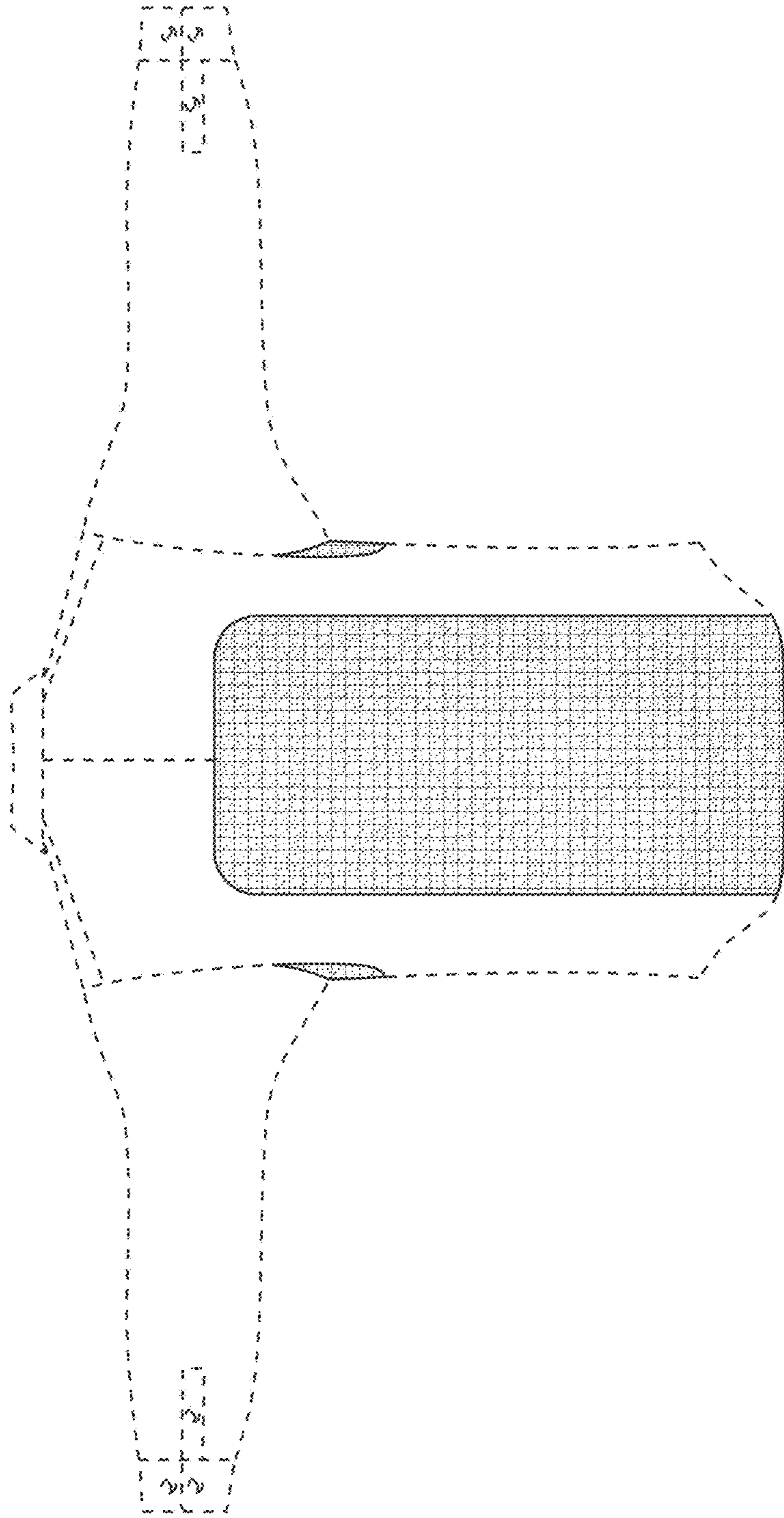


FIG. 2

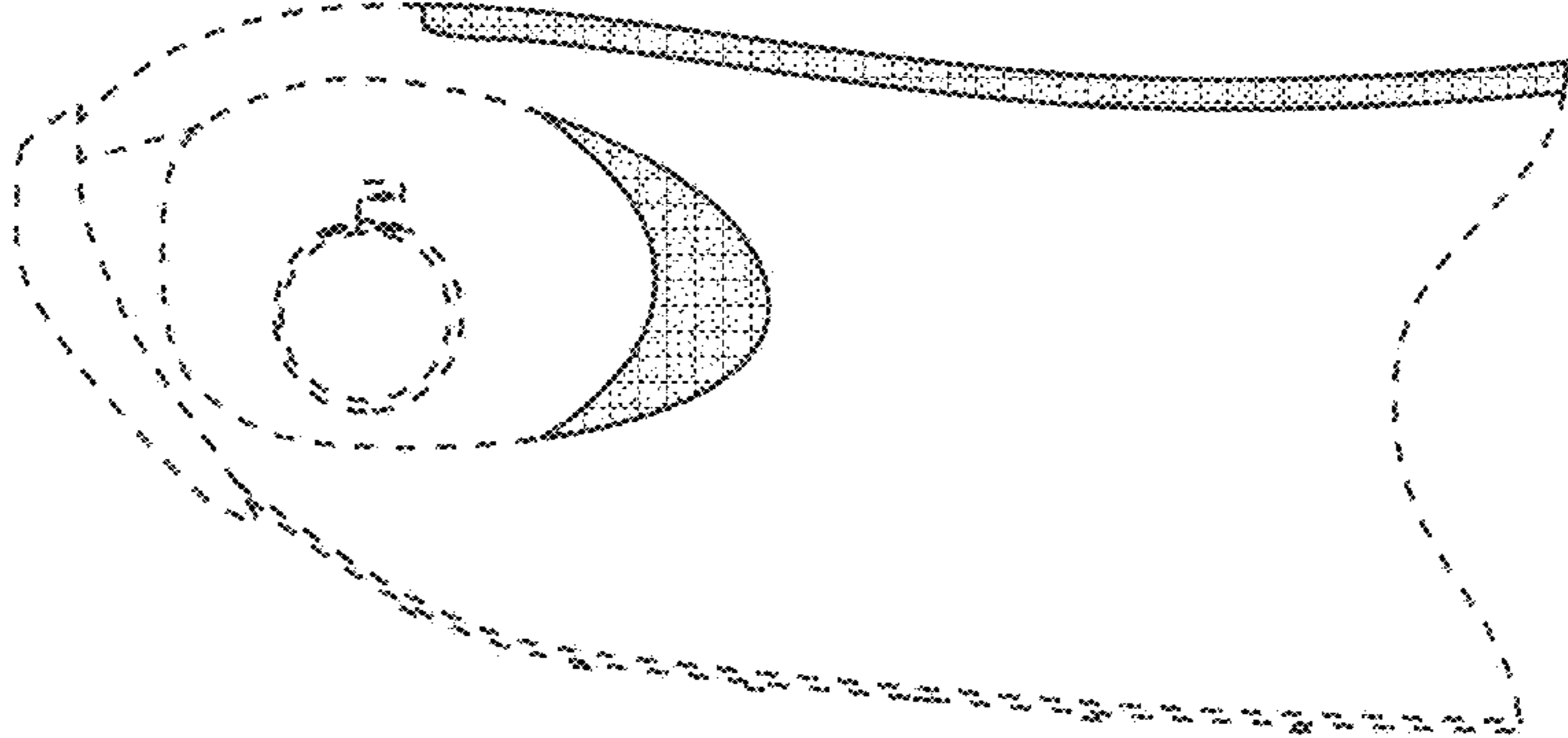


FIG. 3

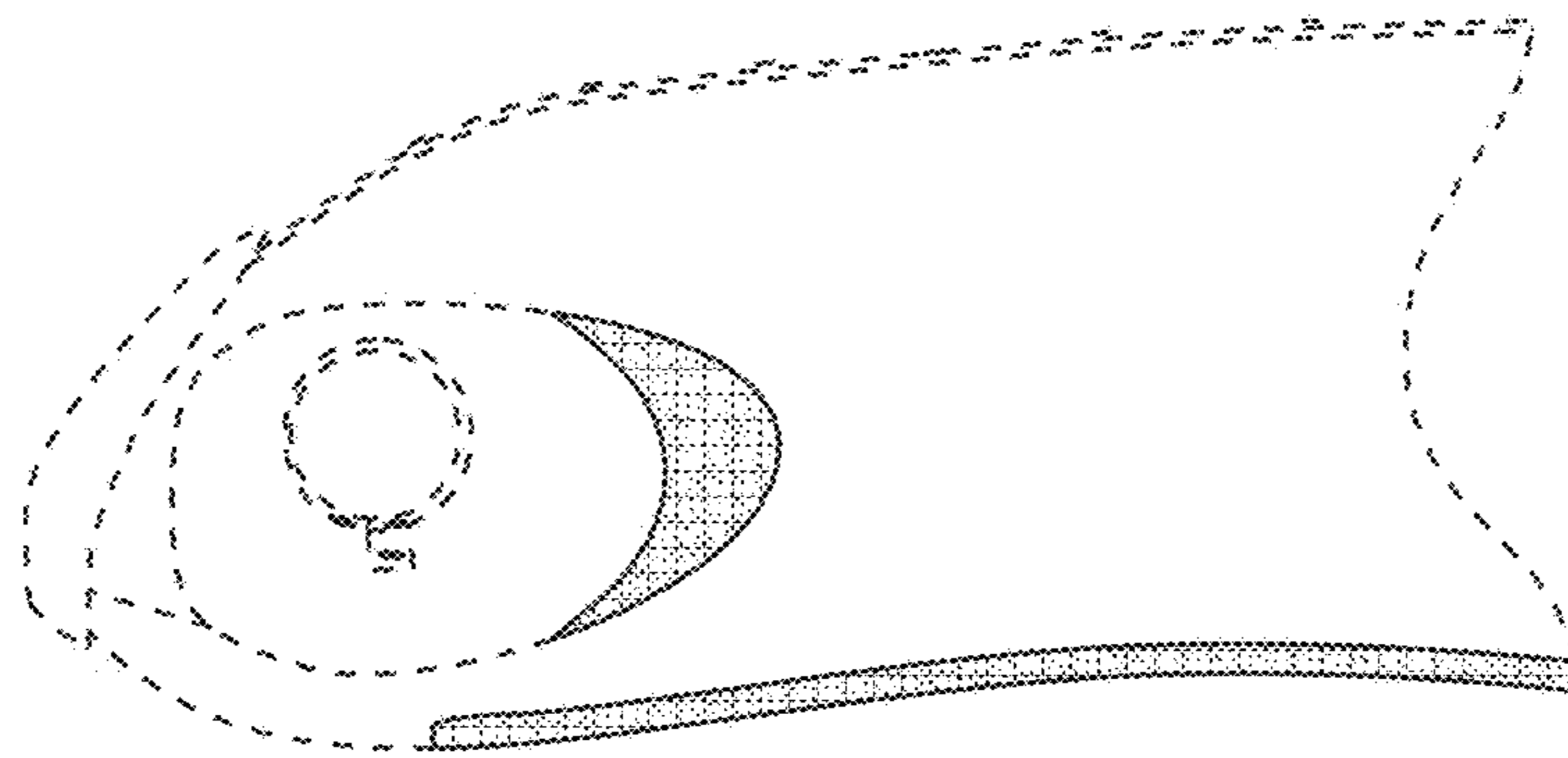


FIG. 4

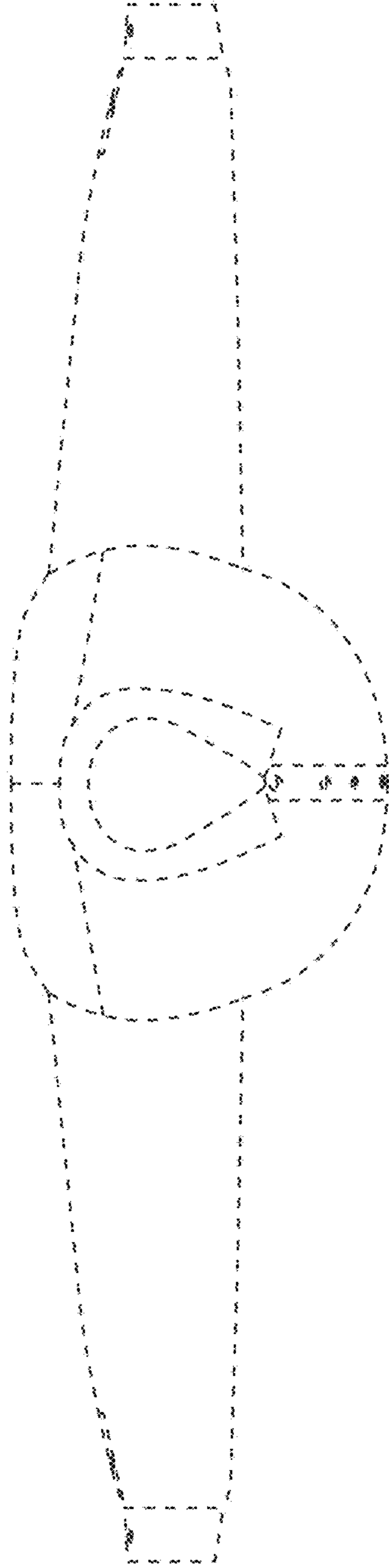


FIG. 5

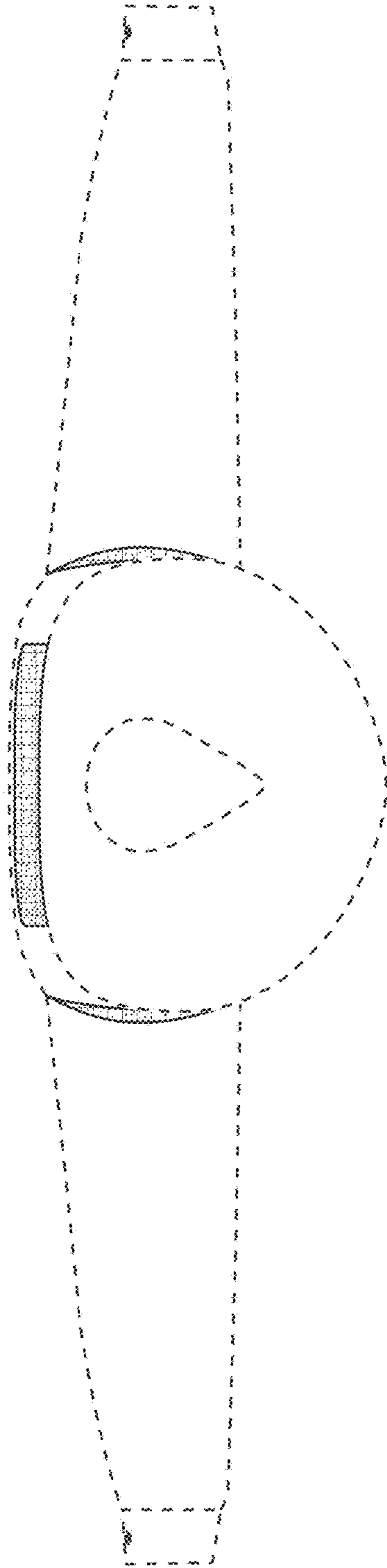


FIG. 6

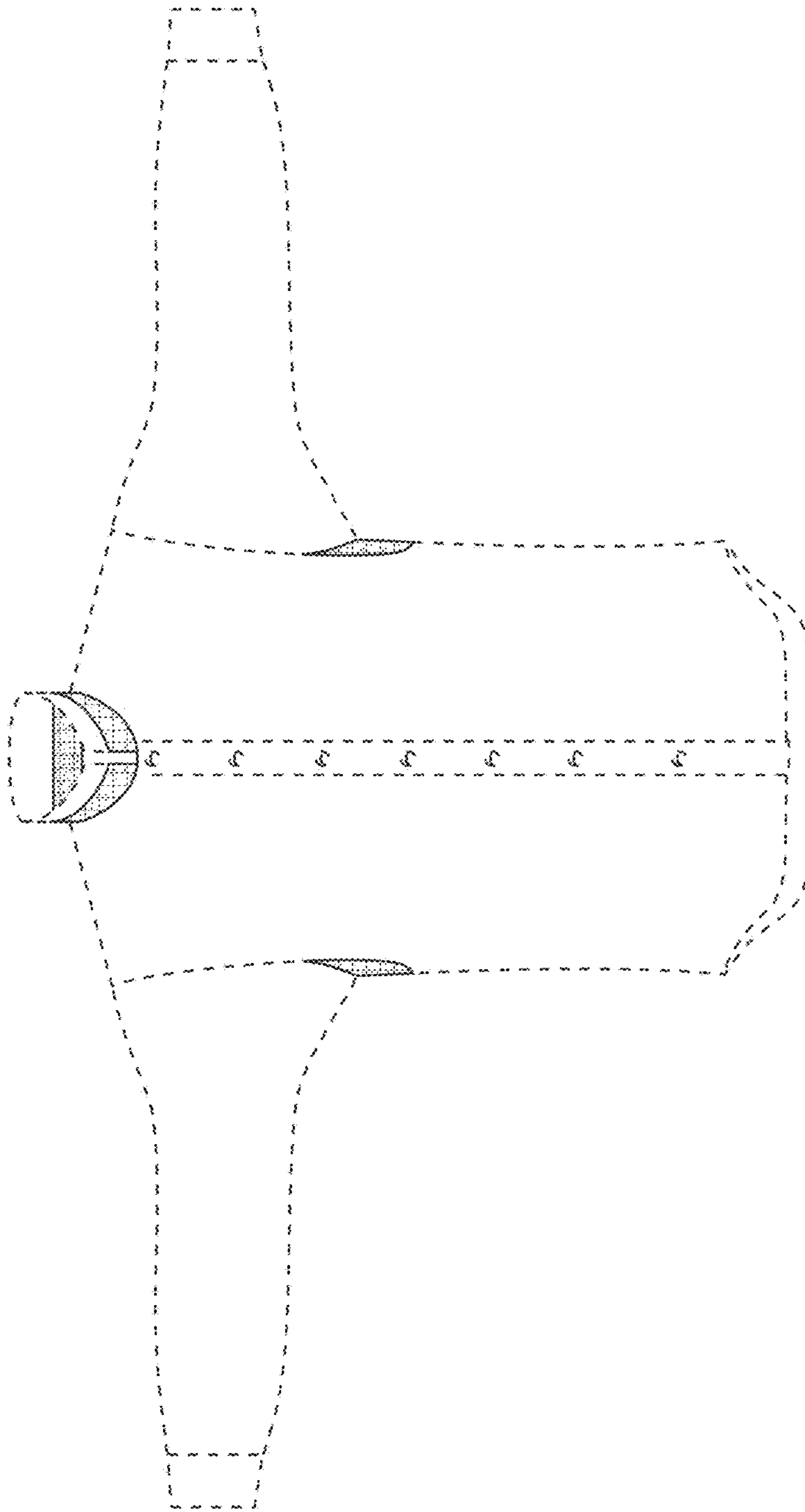


FIG. 7

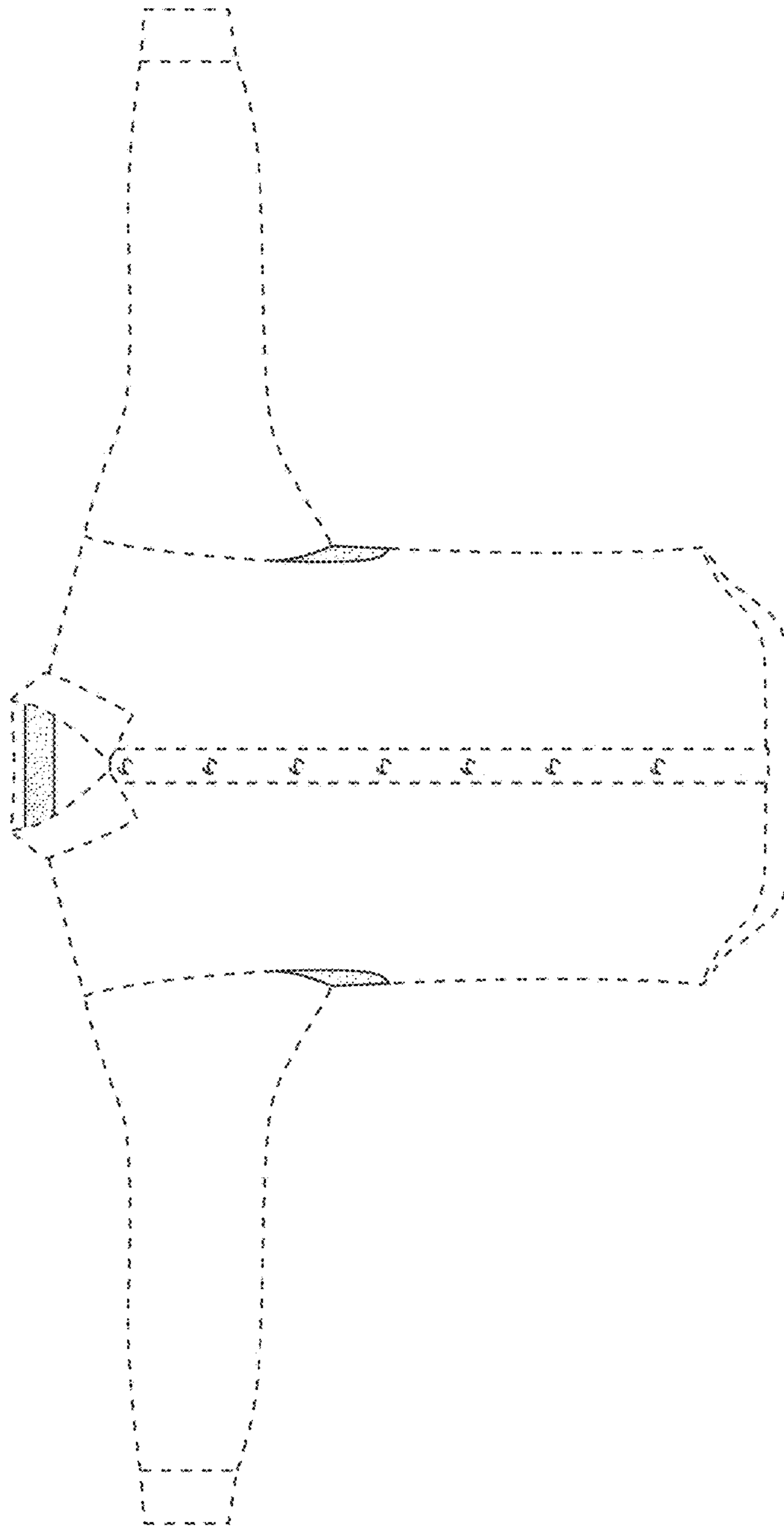


FIG. 8

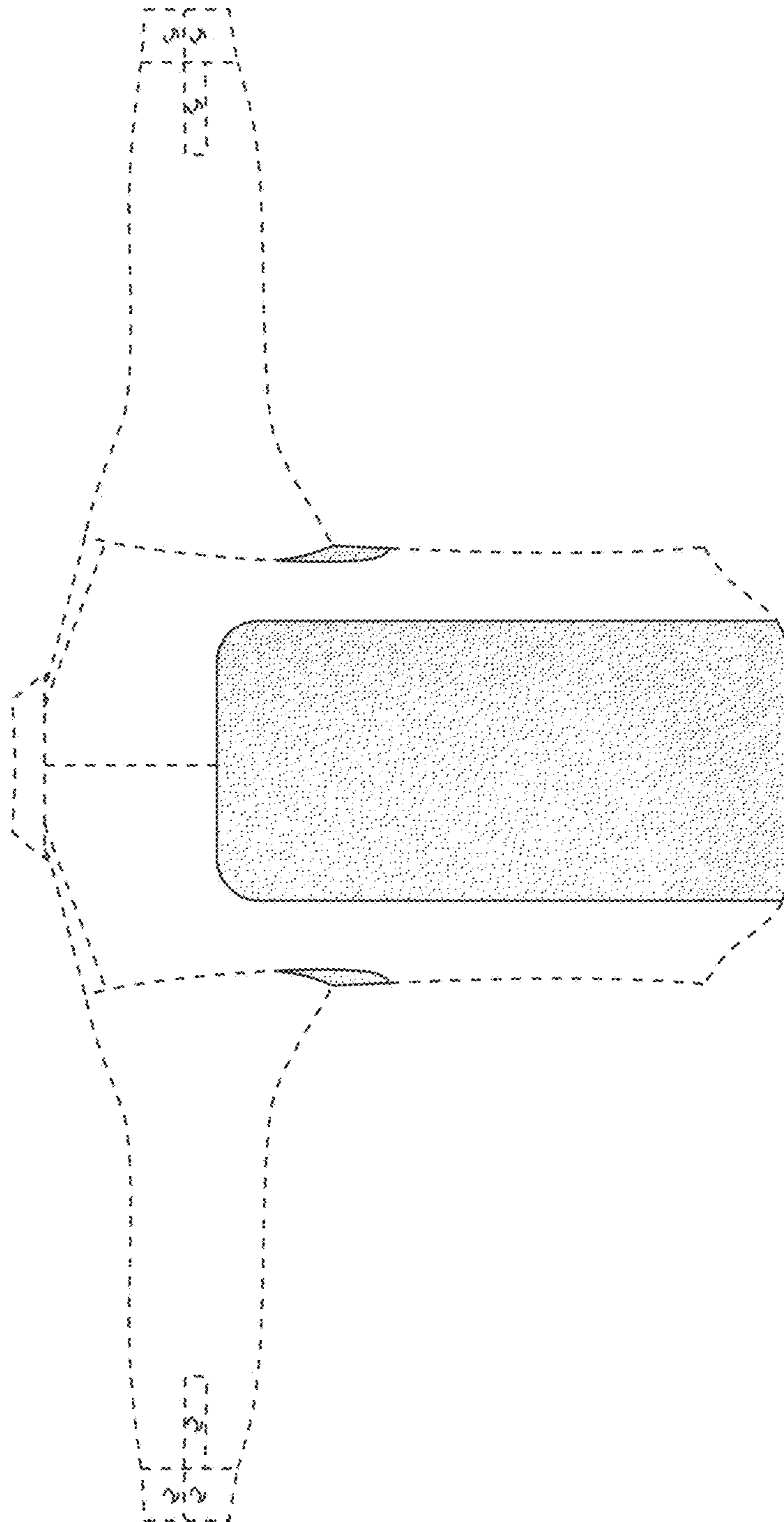


FIG. 9

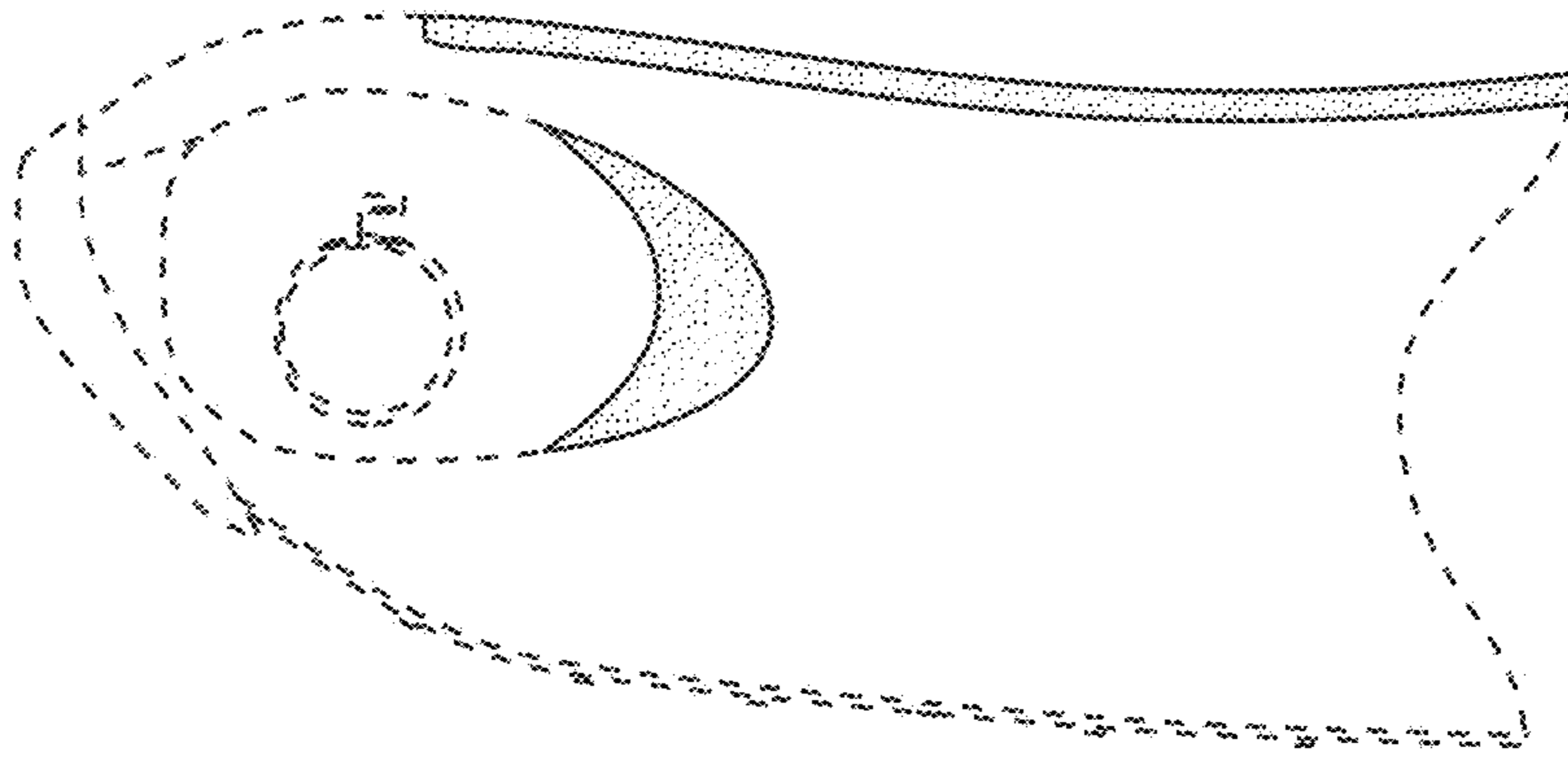


FIG. 10

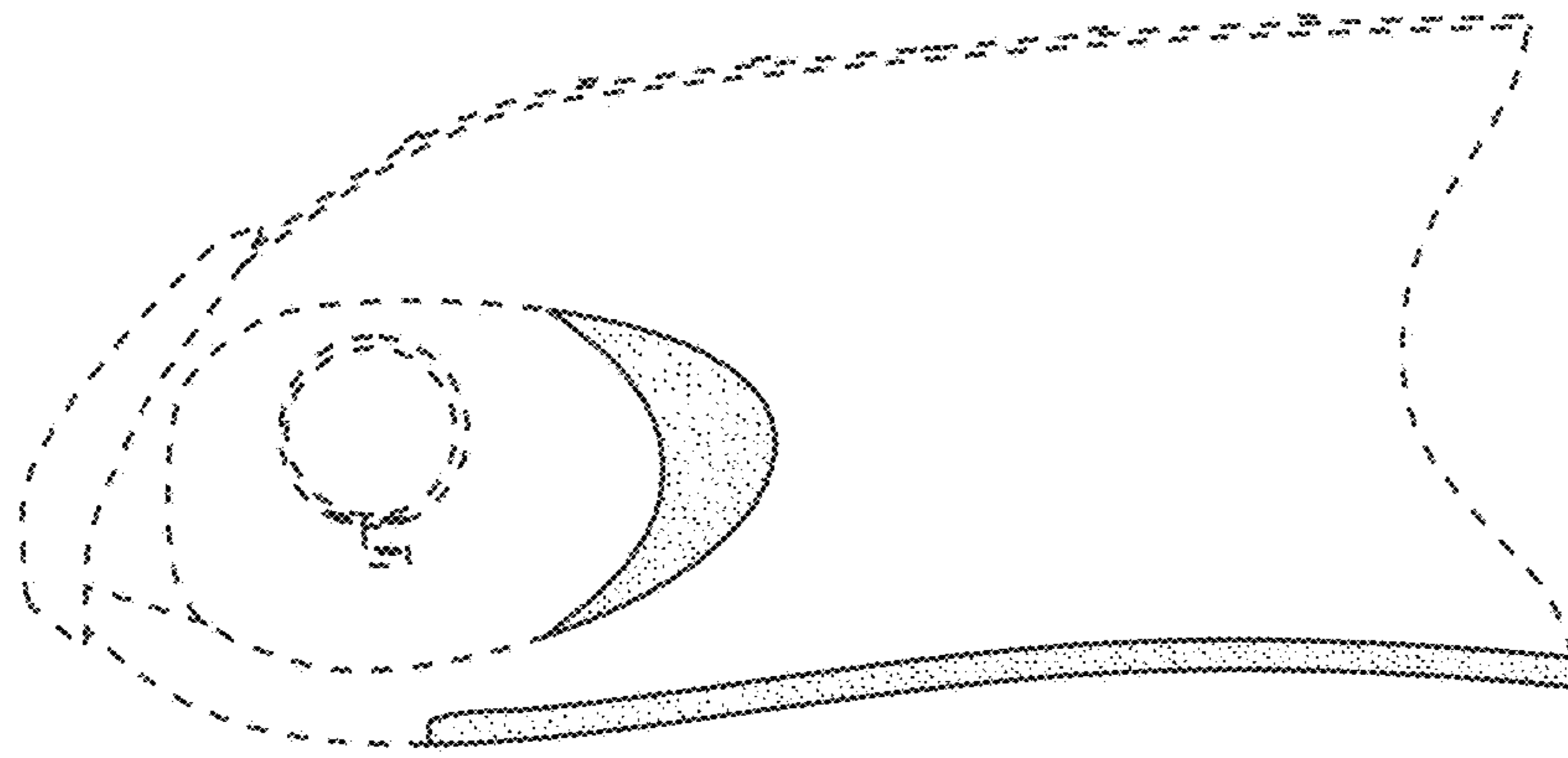


FIG. 11

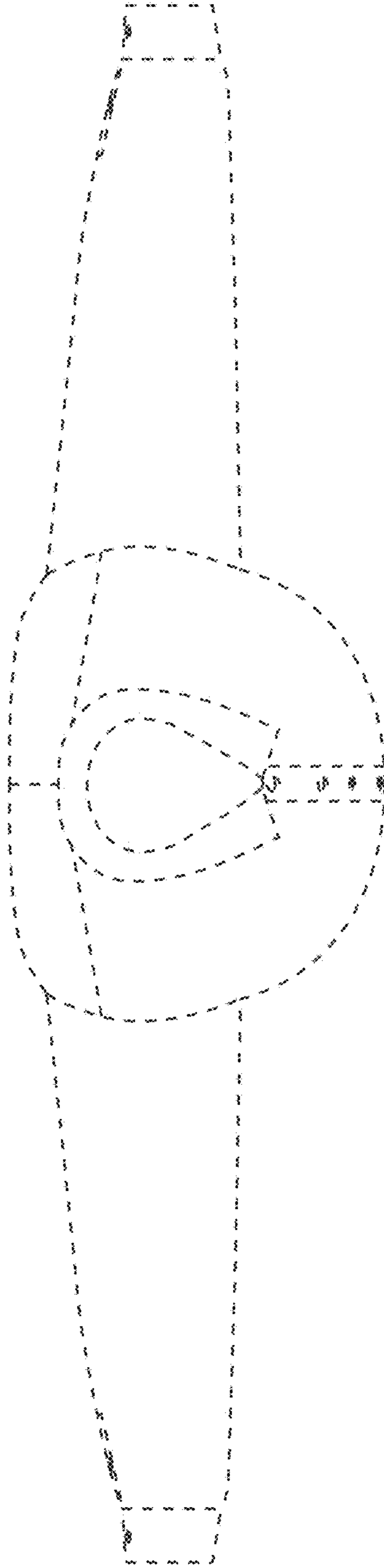


FIG. 12

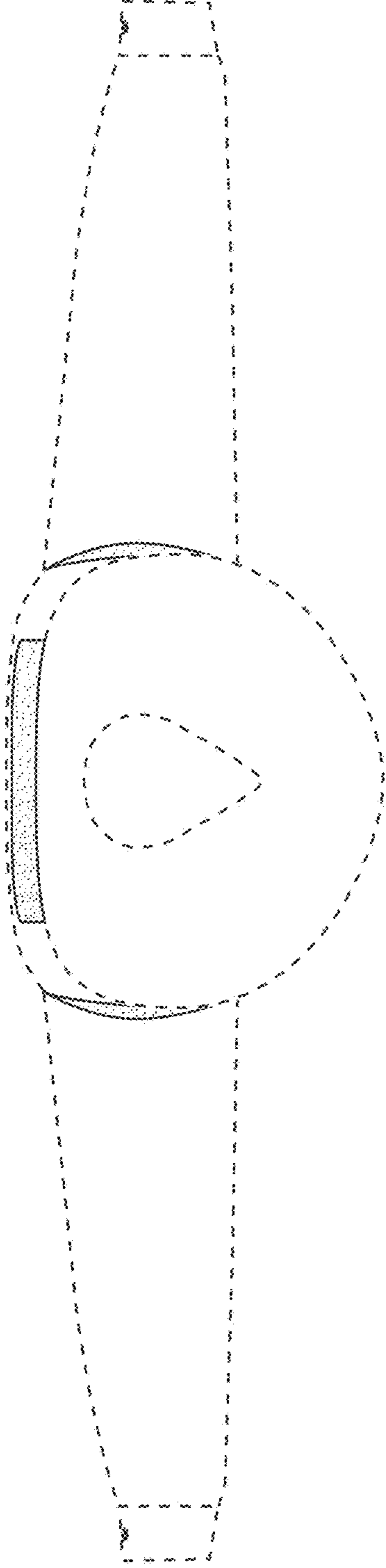


FIG. 13

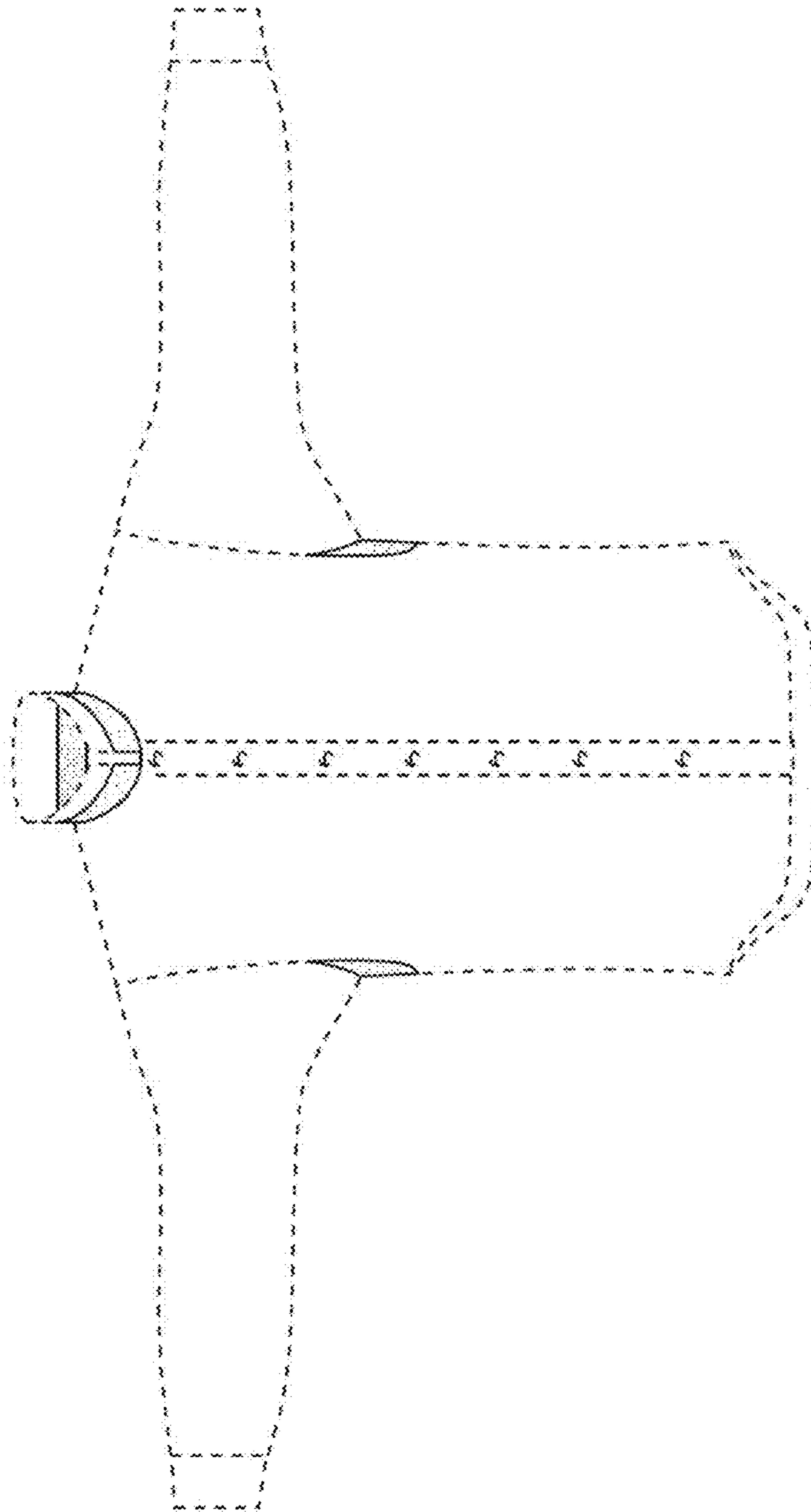


FIG. 14