



US00D811037S

(12) **United States Design Patent**  
**Weber et al.**

(10) **Patent No.:** **US D811,037 S**  
(45) **Date of Patent:** **\*\* Feb. 20, 2018**

- (54) **OFFSET HANDLE FOR MANUAL HOIST**
- (71) Applicant: **JPW Industries Inc.**, LaVergne, TN (US)
- (72) Inventors: **Charles Weber**, Onalaska, WI (US);  
**Steven Myers**, Buffalo Valley, TN (US)
- (73) Assignee: **JPW Industries Inc.**, La Vergne, TN (US)
- (\*\*) Term: **15 Years**
- (21) Appl. No.: **29/607,998**
- (22) Filed: **Jun. 19, 2017**

D152,124 S *	12/1948	Parker	.....	D34/33
D220,772 S *	5/1971	Hawkins	.....	D34/33
4,097,024 A	6/1978	Schreyer		
4,218,046 A *	8/1980	Bathum, Jr.	.....	B66D 1/58 254/266
D307,659 S *	5/1990	Kobayashi	.....	D34/28
D347,508 S *	5/1994	Kubota	.....	D34/33
D377,555 S *	1/1997	Ueno	.....	D34/33
D407,175 S *	3/1999	Nishimura	.....	D34/28
5,971,364 A *	10/1999	Ueno	.....	B66D 3/14 254/369
D421,172 S *	2/2000	Mizutani	.....	D34/33
7,344,121 B1 *	3/2008	Pan	.....	B66D 1/58 254/346
D595,923 S	7/2009	Walstrom et al.		
D656,290 S	3/2012	Anderson et al.		
D770,122 S	10/2016	Mayer		

**Related U.S. Application Data**

- (62) Division of application No. 29/555,185, filed on Feb. 19, 2016, now Pat. No. Des. 801,618.
- (51) **LOC (11) Cl.** ..... **12-05**
- (52) **U.S. Cl.**  
USPC ..... **D34/35**
- (58) **Field of Classification Search**  
USPC ..... D34/28, 33, 35; 254/372, 270, 346, 350,  
254/266, 359, 366, 276, 360, 268, 390,  
254/334, 389, 358, 405; 477/22;  
248/339; 318/743, 749  
CPC ..... B66D 1/46; B66D 1/36; B66D 1/7489;  
B66D 1/04; B66D 1/14; B66D 1/20;  
B66D 1/225; B66D 1/30; B66D 1/34;  
B66D 1/485; B66D 3/20; B66D 3/04;  
B66D 3/16; B66D 3/06  
See application file for complete search history.

\* cited by examiner

*Primary Examiner* — Cynthia Ramirez  
(74) *Attorney, Agent, or Firm* — Schiff Hardin LLP

(57) **CLAIM**

The ornamental design of an offset handle for manual hoist, as shown and described.

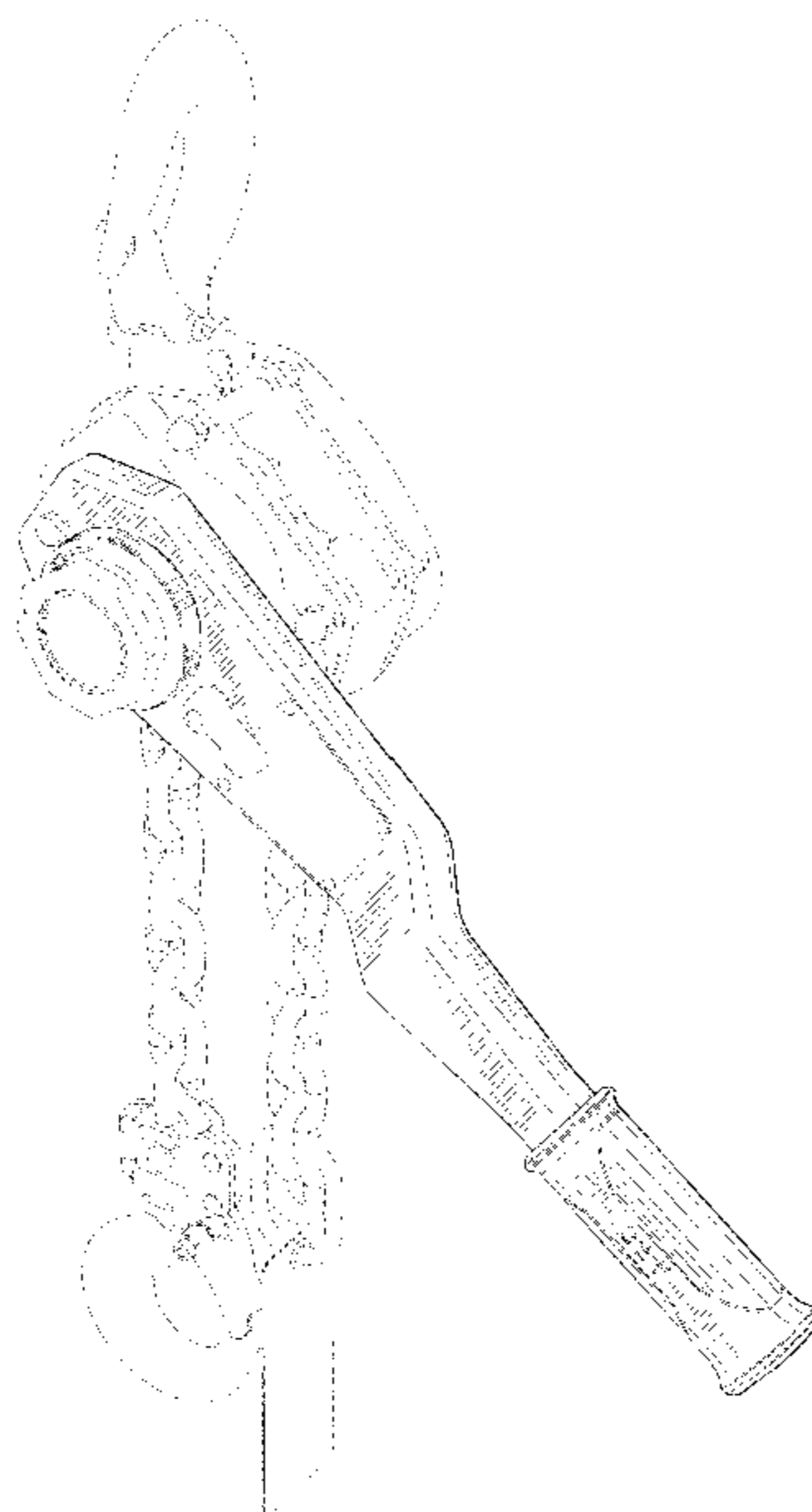
**DESCRIPTION**

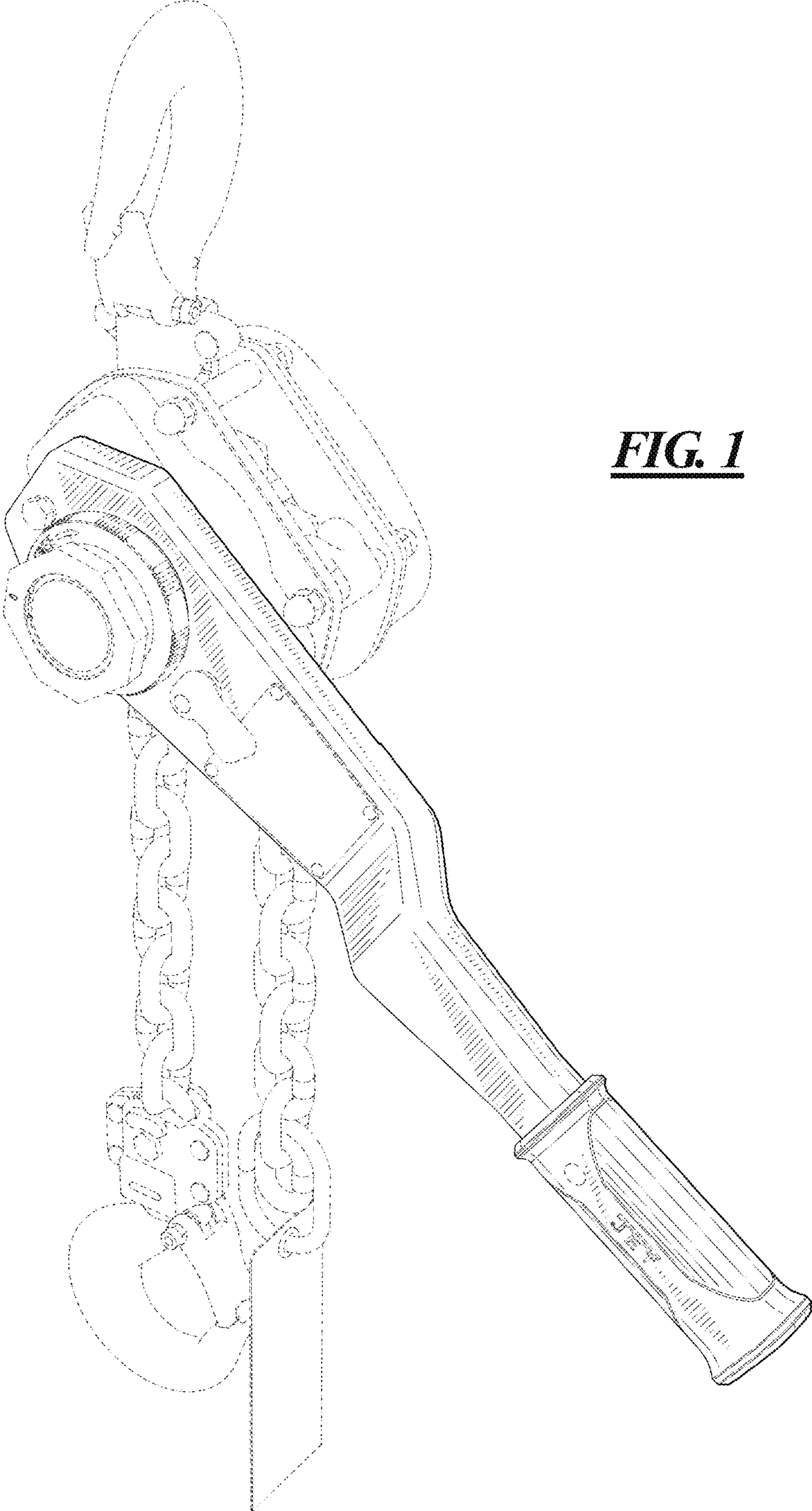
FIG. 1 is a perspective view taken from the upper right-hand side of an offset handle for manual hoist; FIG. 2 is a front elevational view thereof; FIG. 3 is a rear elevational view thereof; FIG. 4 is a side elevational view of the left side thereof; FIG. 5 is a side elevational view of the right side thereof; FIG. 6 is a top plan view thereof; and, FIG. 7 is a bottom plan view thereof. In the drawings, the broken line depict portions of the offset handle for manual hoist that form no part of the claimed design.

(56) **References Cited**  
U.S. PATENT DOCUMENTS

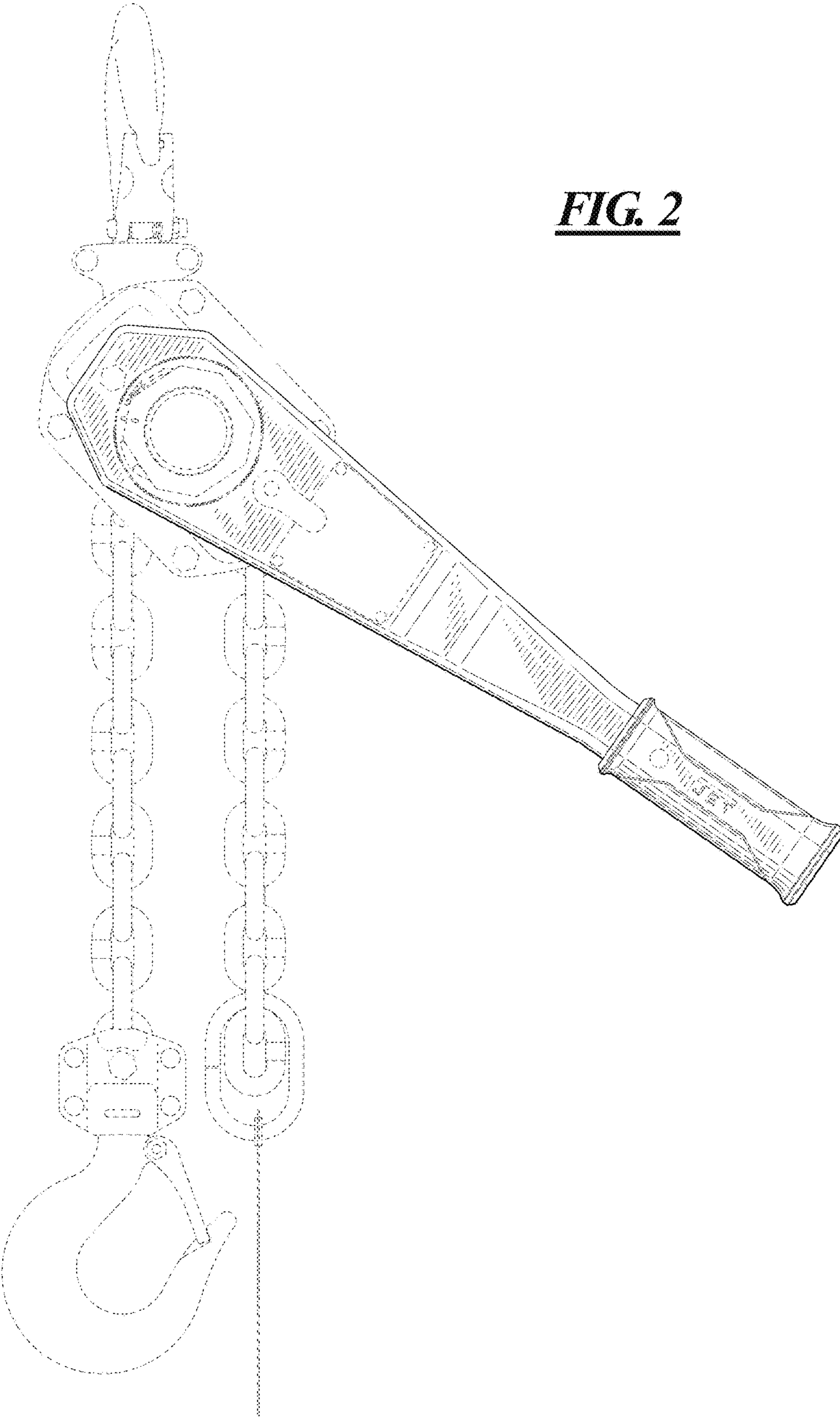
- 2,243,361 A 5/1941 Stahl
- D152,123 S \* 12/1948 Parker ..... D34/33

**1 Claim, 5 Drawing Sheets**



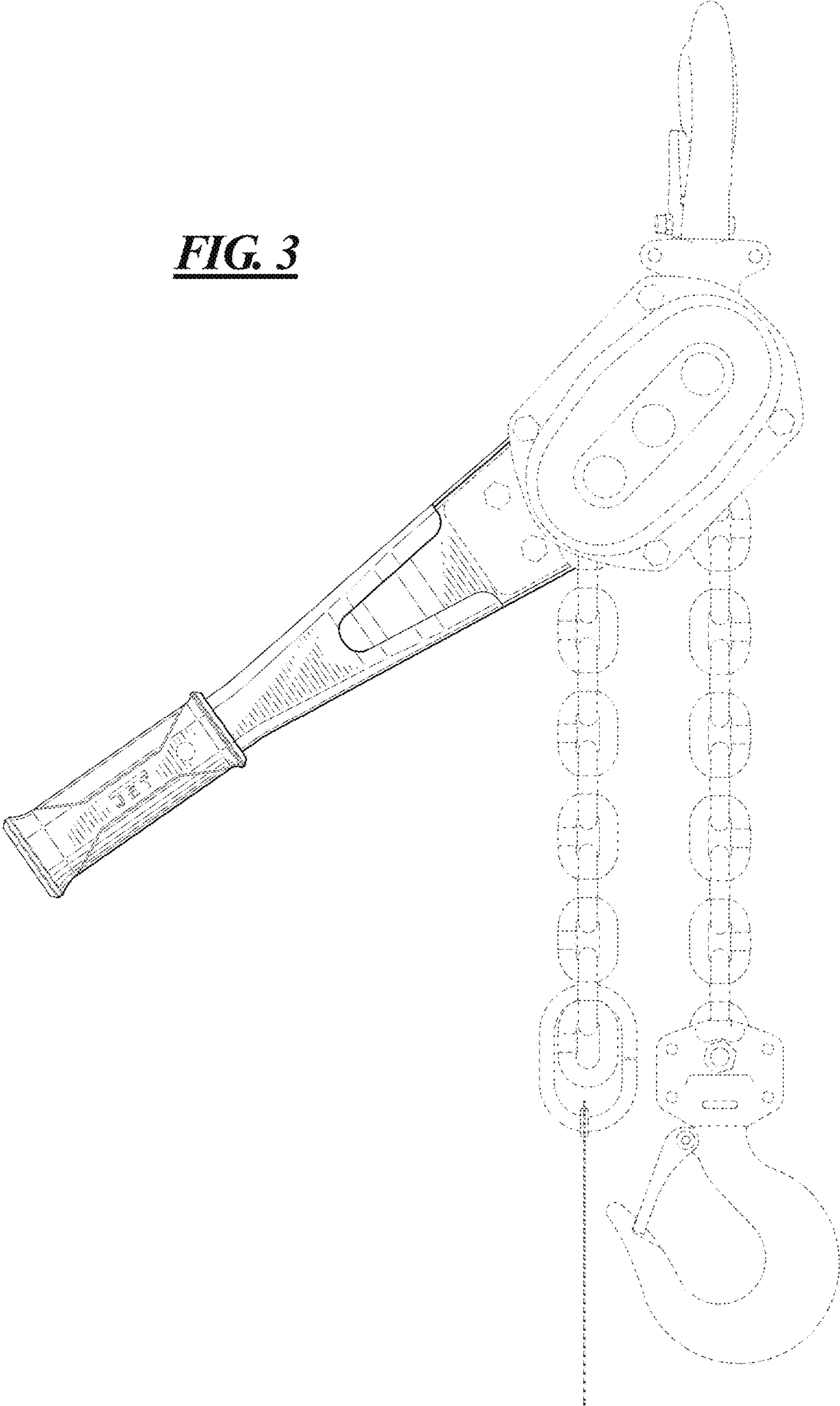


**FIG. 1**

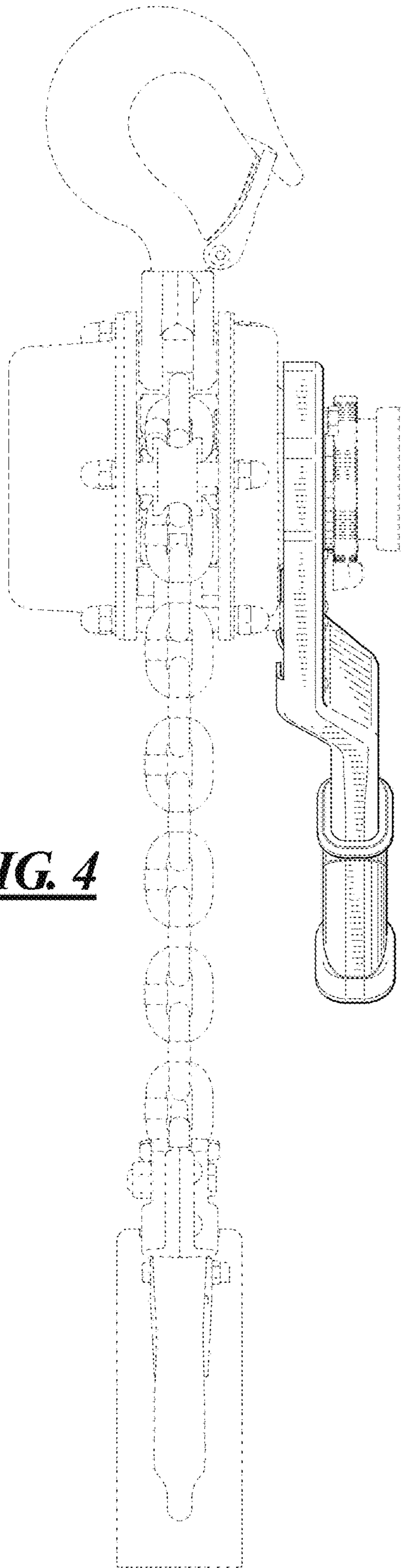


**FIG. 2**

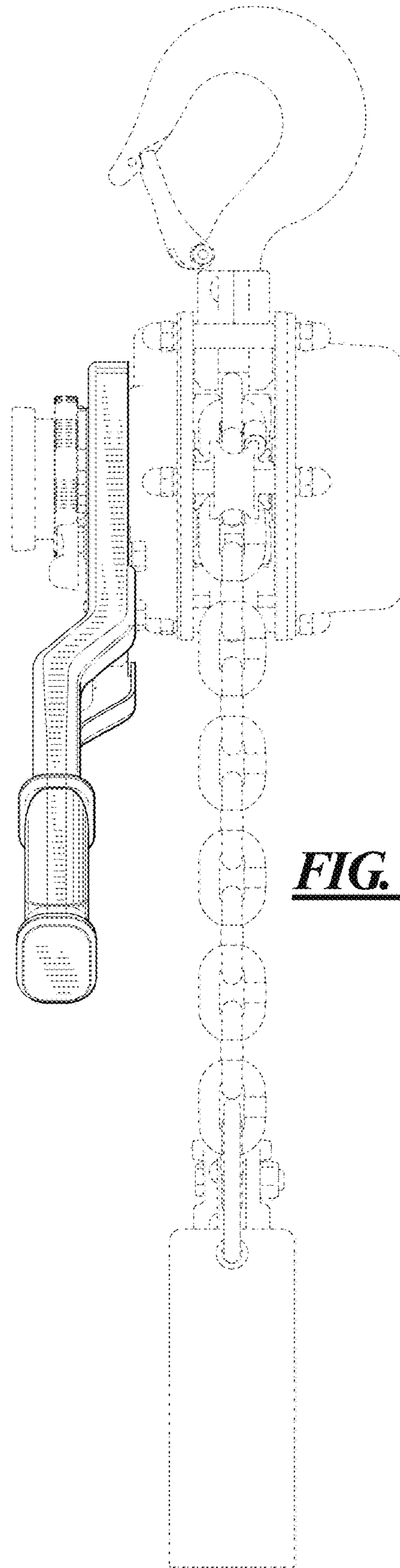
**FIG. 3**





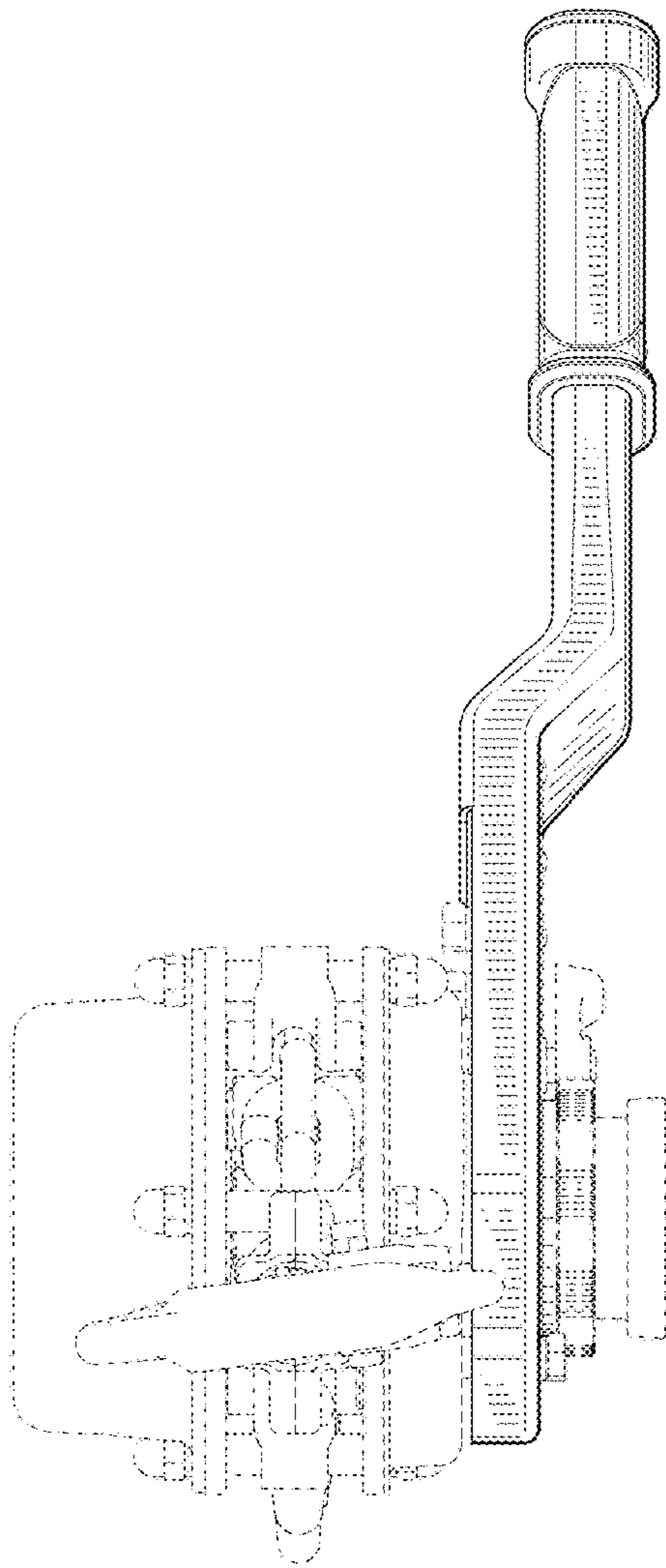


**FIG. 4**



**FIG. 5**

**FIG. 6**



**FIG. 7**

