

US00D811036S

(12) **United States Design Patent** (10) **Patent No.:** **US D811,036 S**  
**Bosveld et al.** (45) **Date of Patent:** **\*\* Feb. 20, 2018**

(54) **MATERIAL HOPPER**  
(71) Applicant: **Stratasys, Inc.**, Eden Prairie, MN (US)  
(72) Inventors: **Michael D. Bosveld**, Bloomington, MN (US); **Robert L. Skubic**, Chanhassen, MN (US); **Robert E. Styer**, Apple Valley, MN (US)  
(73) Assignee: **Stratasys, Inc.**, Eden Prairie, MN (US)  
(\*\*) Term: **15 Years**  
(21) Appl. No.: **29/571,664**  
(22) Filed: **Jul. 20, 2016**  
(51) **LOC (11) Cl.** ..... **12-05**  
(52) **U.S. Cl.**  
USPC ..... **D34/28**  
(58) **Field of Classification Search**  
USPC ..... 177/98, 108; 193/2 R, 3, 4; D15/122, D15/138, 141, 199; D18/50, 56, 57, 99; D34/28, 32, 35; D8/2; D7/589; 220/9.4; 222/203; 239/310  
CPC ..... B66F 13/00; Y10T 74/18576  
See application file for complete search history.

2013/0313338 A1\* 11/2013 Liang ..... B05B 7/2413 239/310  
2014/0008361 A1\* 1/2014 Nguyen ..... A01K 5/0225 220/9.4  
2016/0215218 A1\* 7/2016 Hill ..... B65G 65/4881  
2017/0291364 A1 10/2017 Womer

\* cited by examiner

*Primary Examiner* — Cynthia Ramirez  
*Assistant Examiner* — Michael A Maharajh  
(74) *Attorney, Agent, or Firm* — Peter J. Ims; Westman, Champlin & Koehler, P.A.

(57) **CLAIM**

The ornamental design for a material hopper, as shown and described.

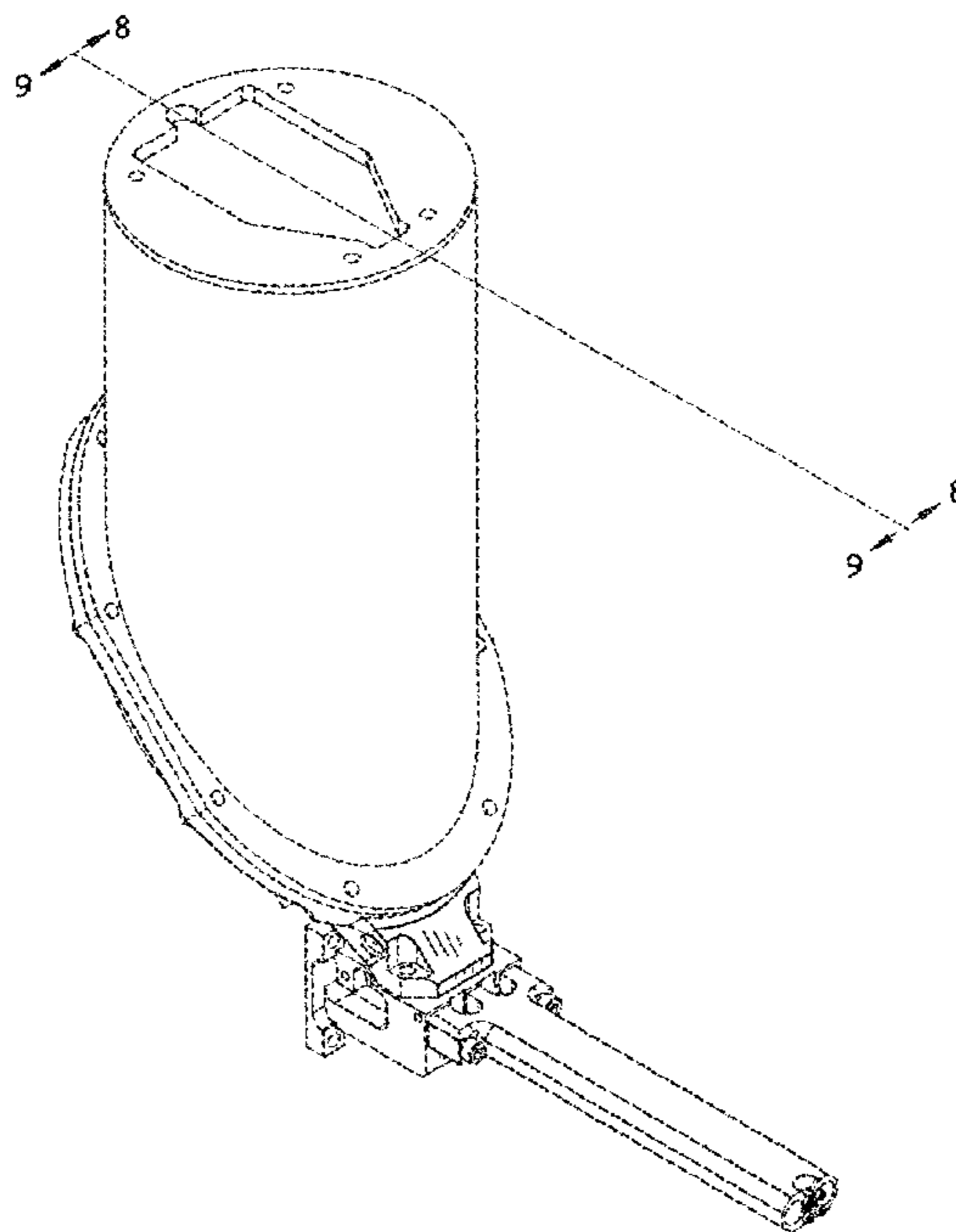
**DESCRIPTION**

FIG. 1 is a perspective view of a material hopper, showing our new design;  
FIG. 2 is a left side view thereof;  
FIG. 3 is a right side view thereof;  
FIG. 4 is a back view thereof;  
FIG. 5 is a front view thereof;  
FIG. 6 is a top view thereof;  
FIG. 7 is a bottom view thereof;  
FIG. 8 is a section view taken through the section line in FIG. 1; and,  
FIG. 9 is a section view taken through the section line in FIG. 1.

The broken lines shown in the drawings are included for purposes of illustrating portions of the material hopper and form no part of the claimed design.

**1 Claim, 8 Drawing Sheets**

(56) **References Cited**  
U.S. PATENT DOCUMENTS  
D279,323 S \* 6/1985 Spenceley ..... D34/28  
D297,678 S \* 9/1988 Sisk ..... D34/28  
D303,265 S \* 9/1989 Miyoshi ..... D15/122  
D431,889 S \* 10/2000 Jansen ..... D34/28  
D555,322 S \* 11/2007 Hlady ..... D34/28  
2013/0161356 A1\* 6/2013 Kawata ..... B65D 88/66 222/203



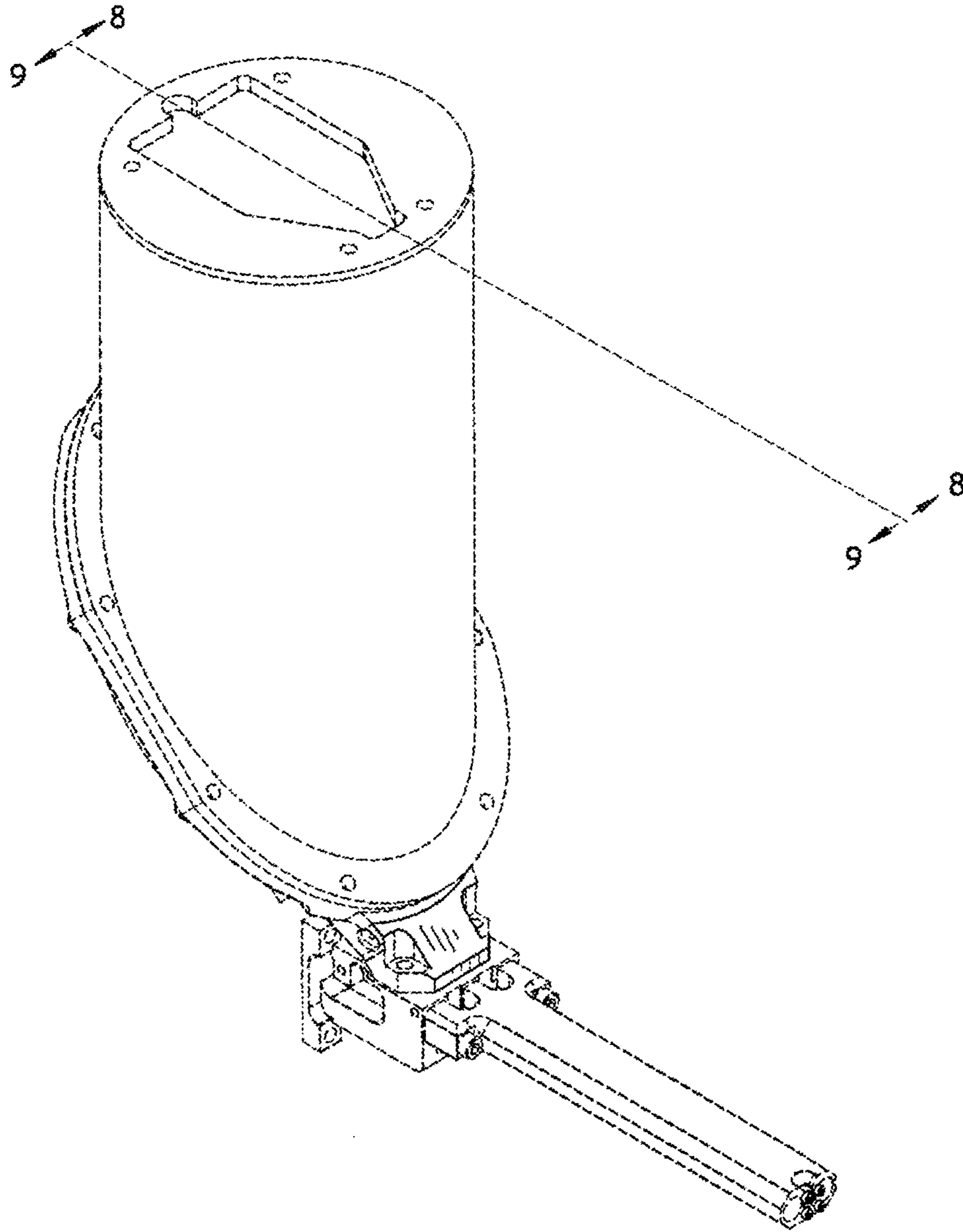


Fig. 1

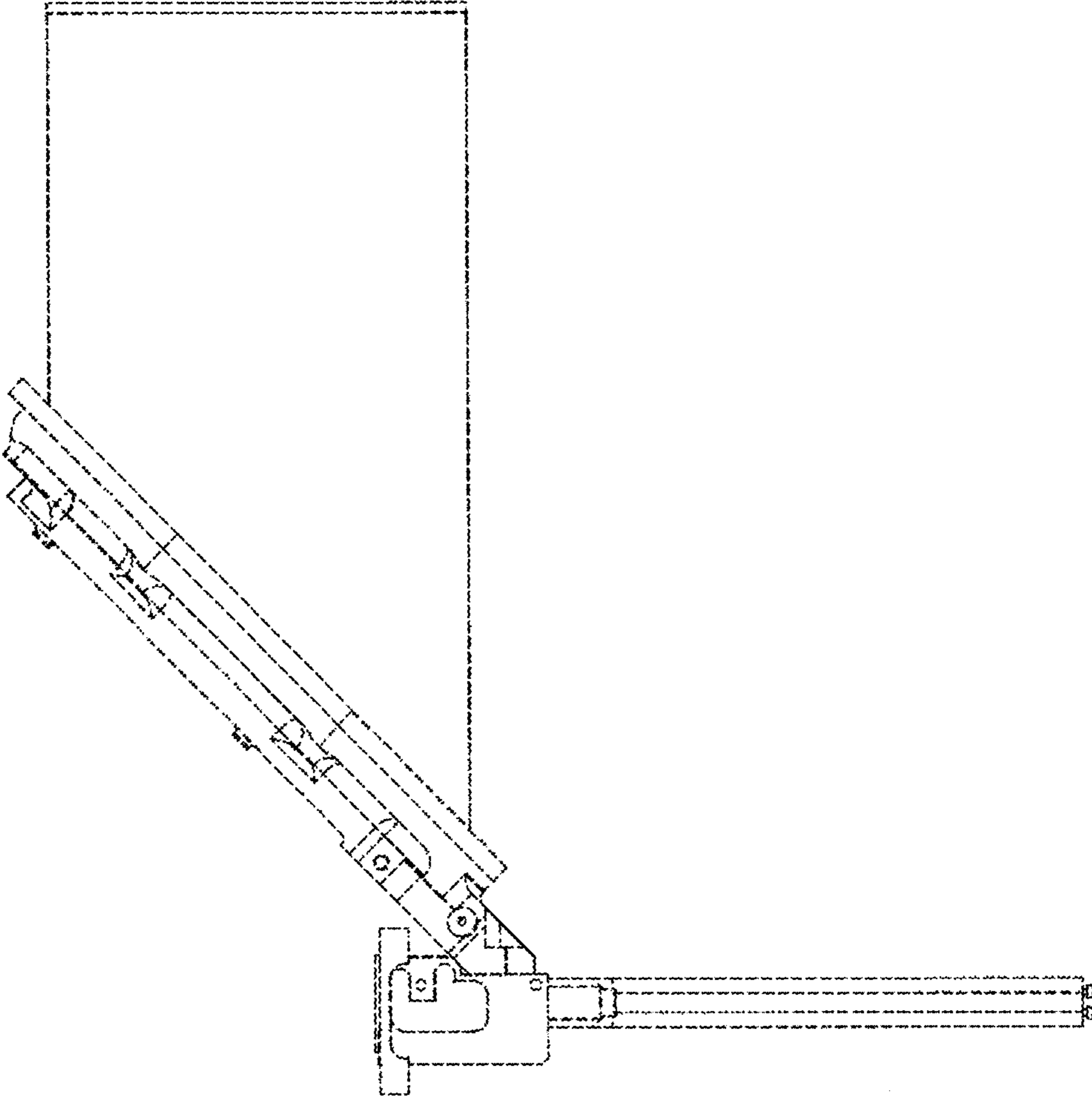


Fig. 2

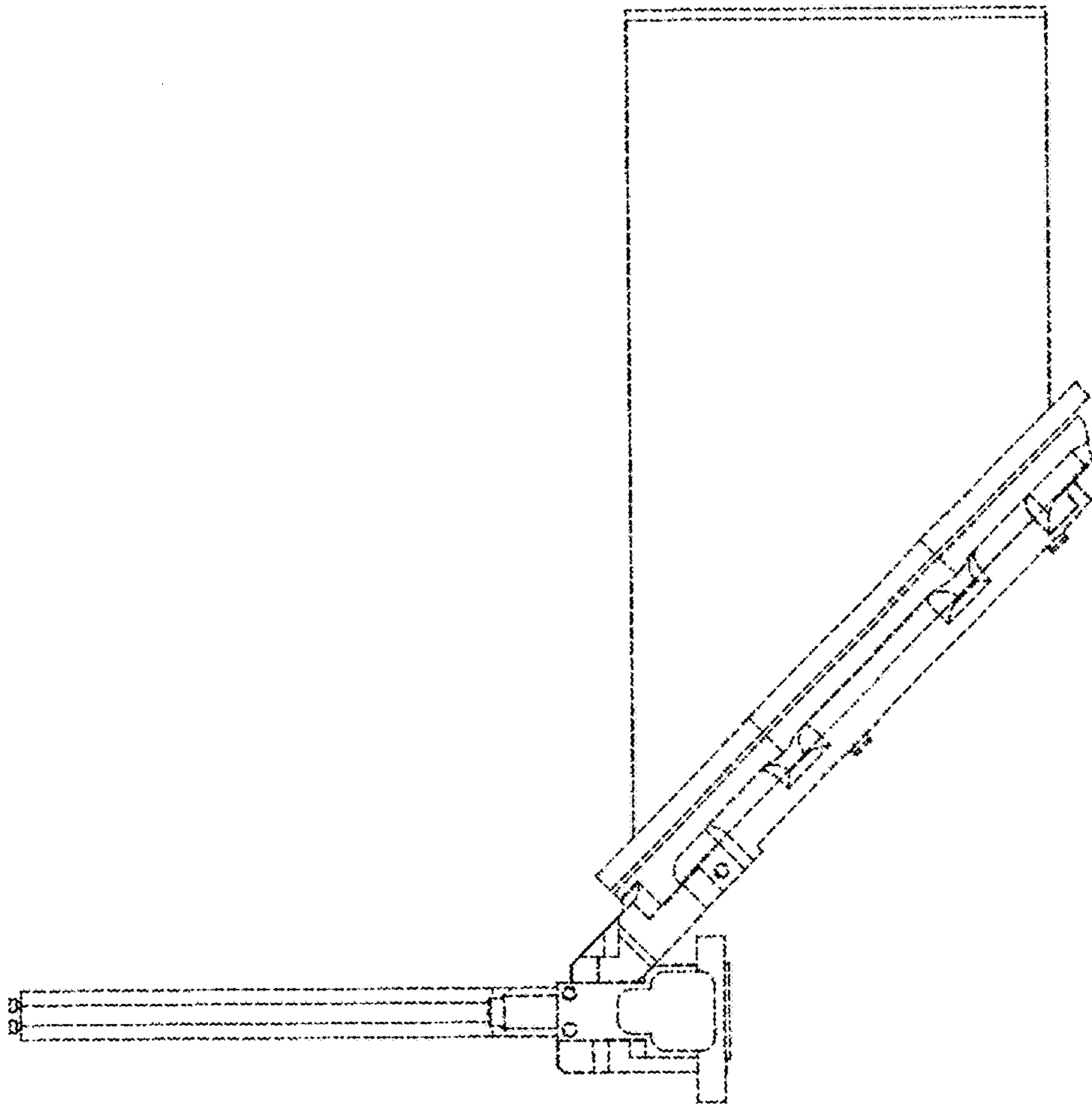


Fig. 3

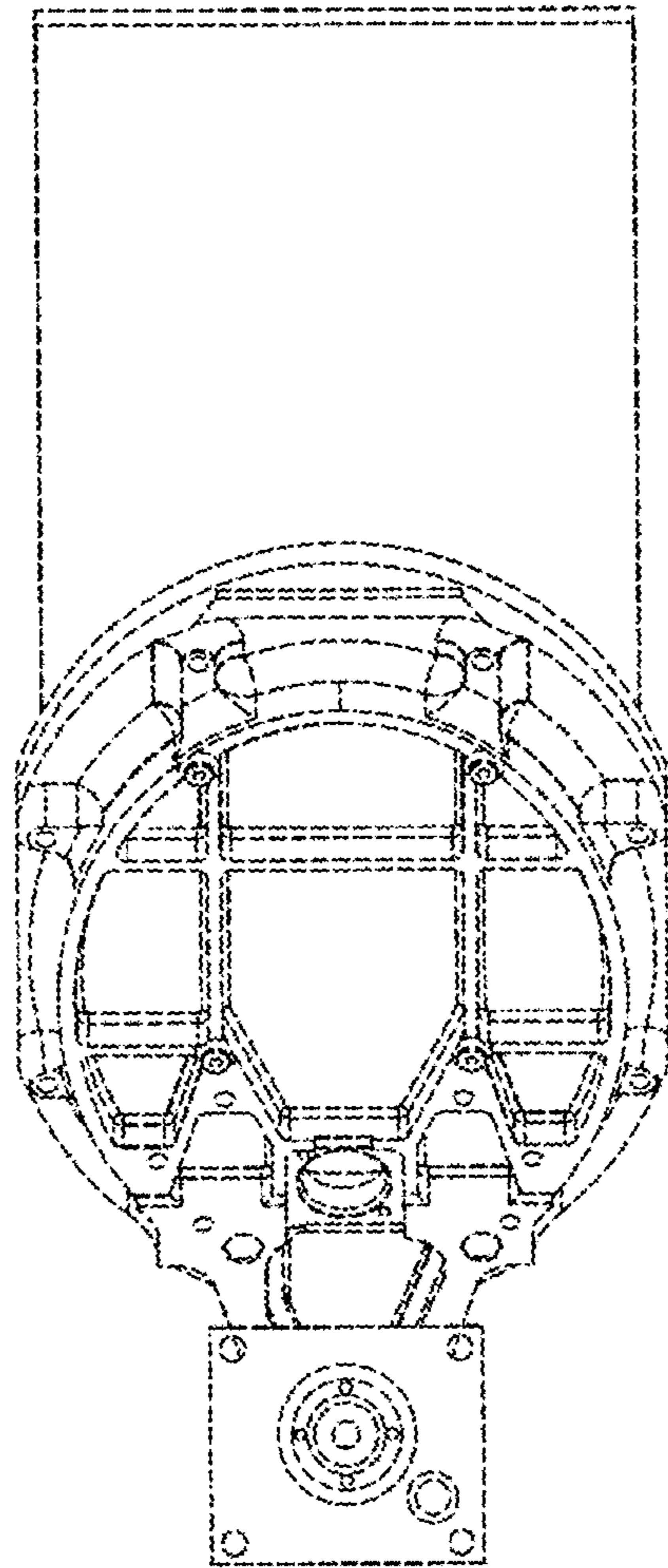


Fig. 4

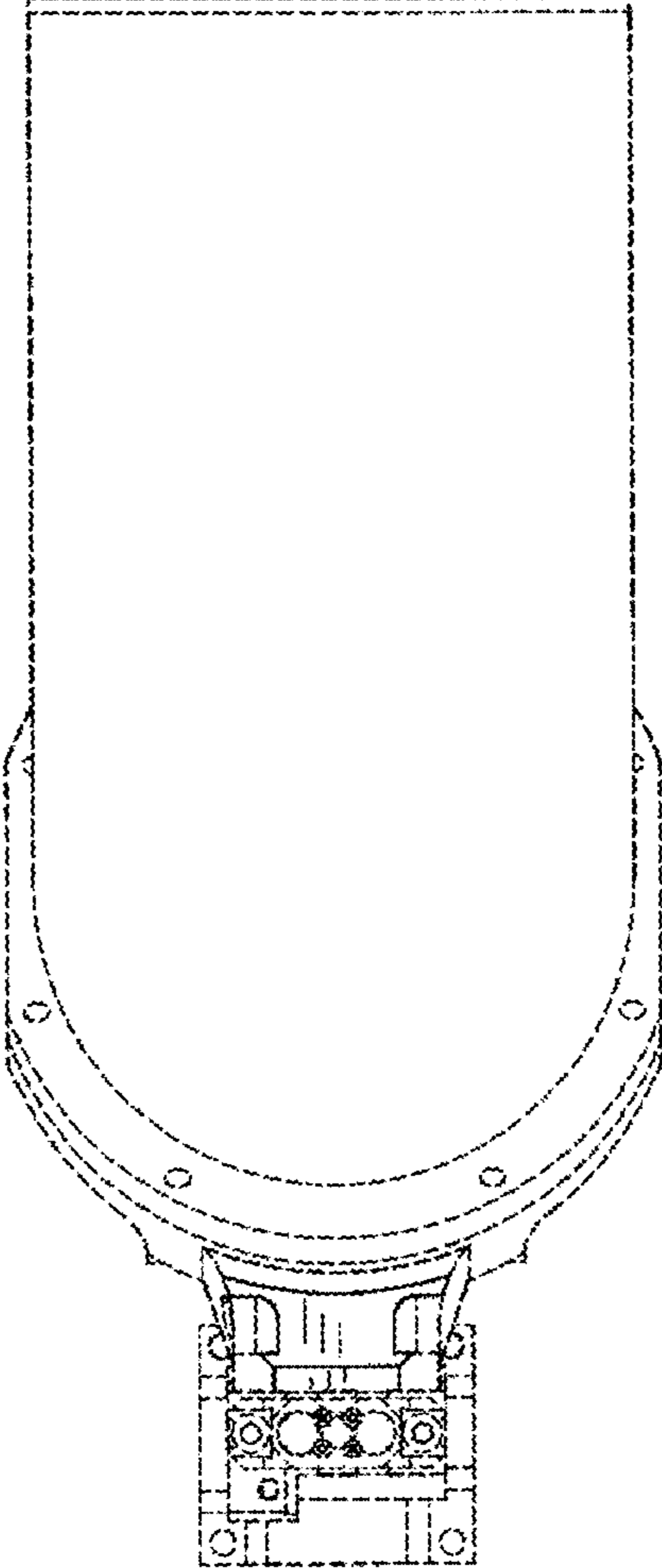


Fig. 5

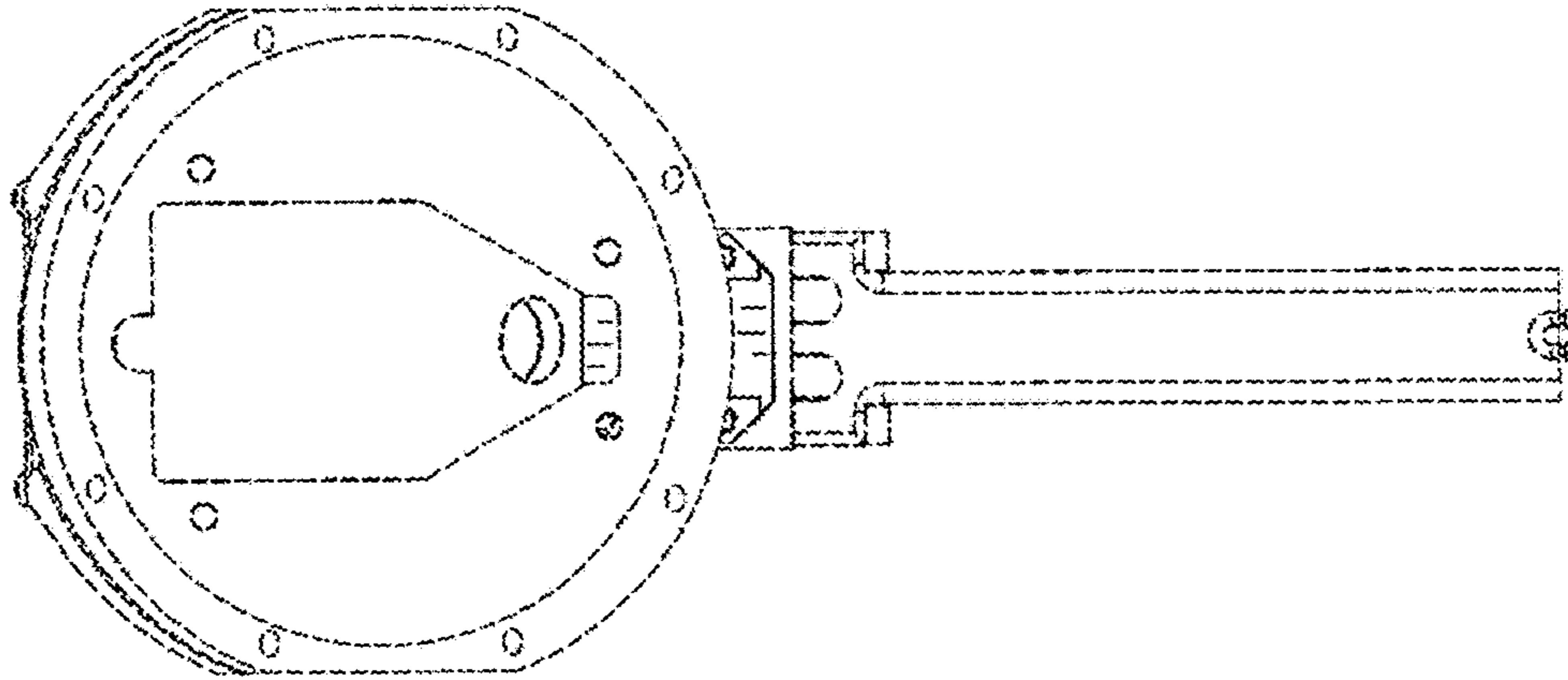


Fig. 6

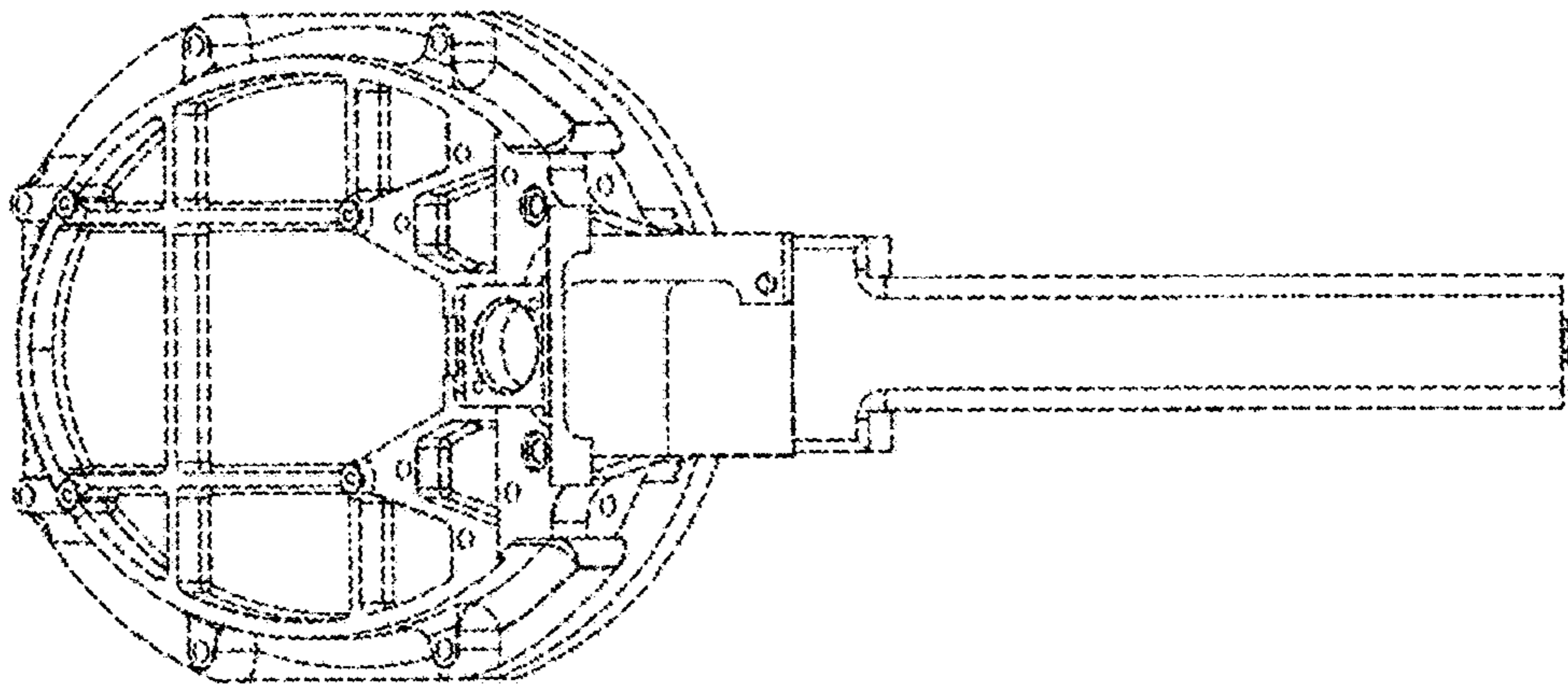


Fig. 7

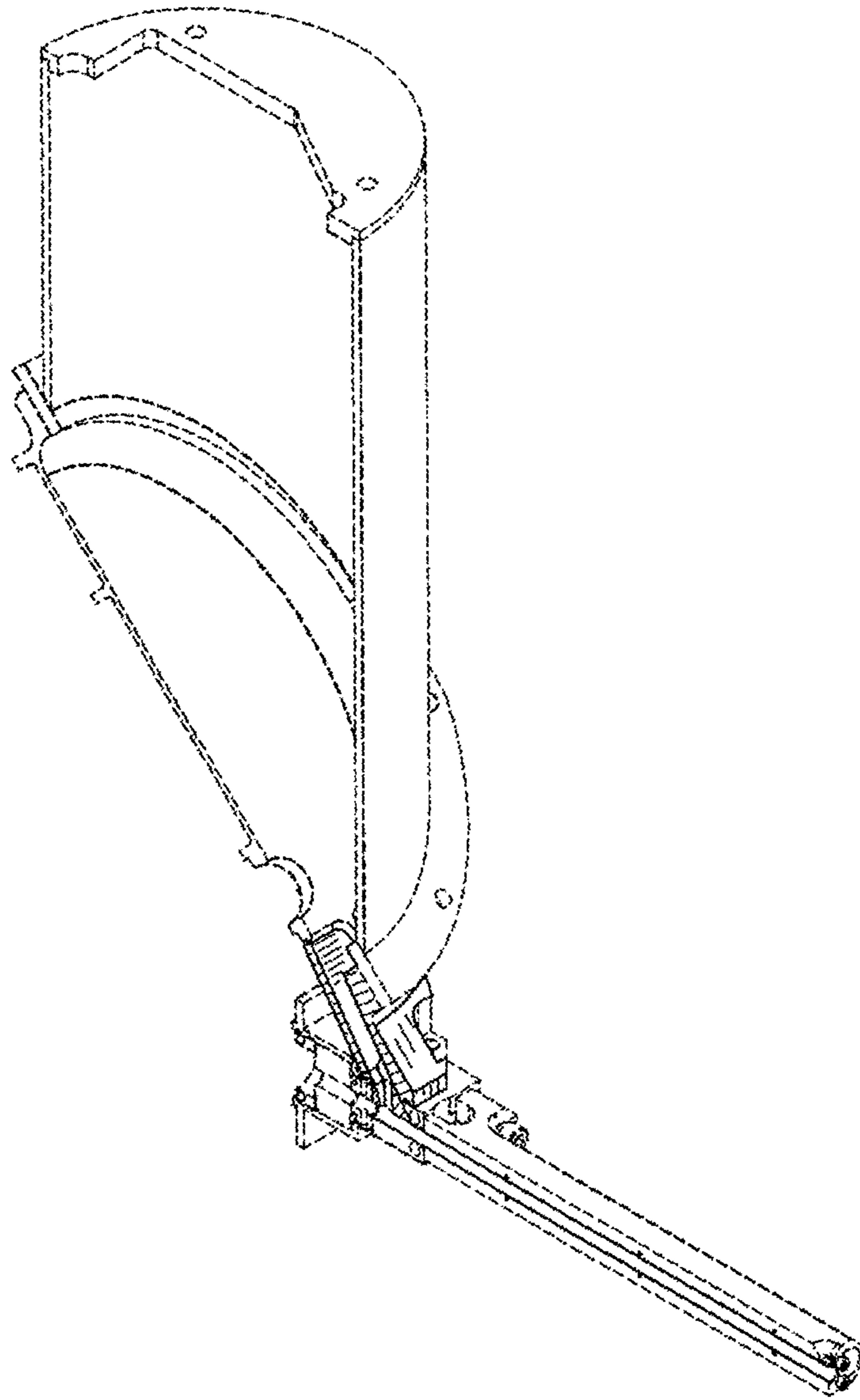


Fig. 8



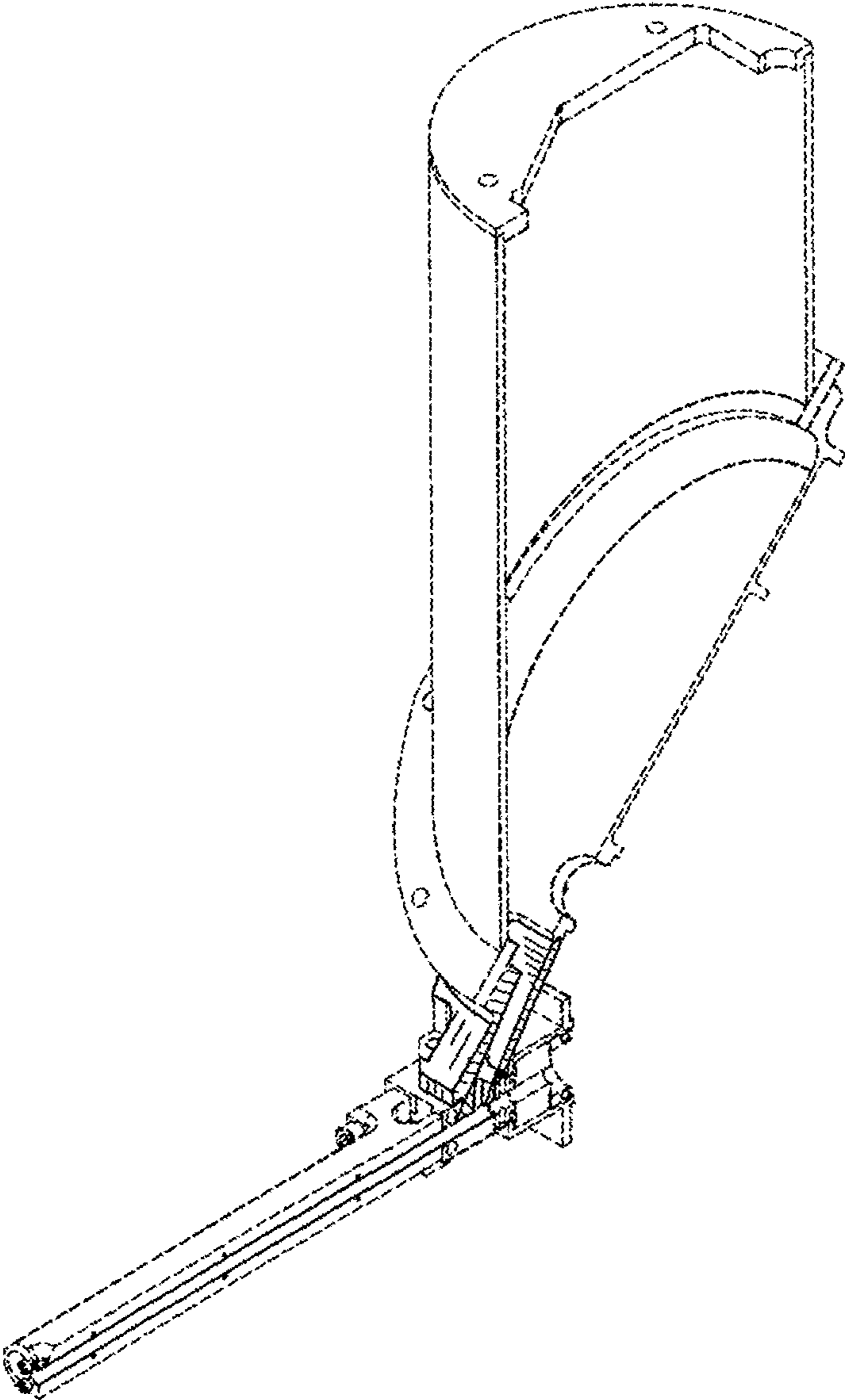


Fig. 9