

US00D811033S

(12) **United States Design Patent** (10) **Patent No.:** **US D811,033 S**
Brown et al. (45) **Date of Patent:** **** Feb. 20, 2018**

(54) **BATH SCRUBBER**
(71) Applicants: **Allison Brown**, Pambroke Pines, FL
(US); **Armando Dominguez**, Pambroke
Pines, FL (US)
(72) Inventors: **Allison Brown**, Pambroke Pines, FL
(US); **Armando Dominguez**, Pambroke
Pines, FL (US)

(**) Term: **15 Years**

(21) Appl. No.: **29/505,830**

(22) Filed: **Feb. 29, 2016**

(51) **LOC (11) Cl.** **07-05**

(52) **U.S. Cl.**
USPC **D32/40**

(58) **Field of Classification Search**
USPC D32/40-45, 50-52; D28/63; D4/116,
D4/119, 124; D9/719, 723-725;
D8/394-396
CPC .. A46D 3/00; A61F 2/44; A61F 15/00; A47K
7/02; A47K 7/028; A46B 11/00; A61B
90/80; B01J 23/74
See application file for complete search history.

(56) **References Cited**

U.S. PATENT DOCUMENTS

200,822 A * 3/1878 Cummings A47L 13/257
15/179
450,378 A * 4/1891 Robinson B24D 15/00
15/245
1,500,274 A * 7/1924 Scarling A47L 1/08
15/245
D100,790 S * 8/1936 Oishei 15/250.48
2,518,873 A * 8/1950 Eisenberg A47L 13/022
15/143.1
2,736,917 A * 3/1956 Goldstein A46B 7/04
15/104.94
3,009,172 A * 11/1961 Eidam A47G 9/10
5/632
D229,033 S * 11/1973 Cooper D19/88

4,778,301 A * 10/1988 Sicotte A47L 1/08
401/137
D302,653 S * 8/1989 Wolff D19/90
D318,158 S * 7/1991 Ediger 401/139
5,536,096 A * 7/1996 Nowak B26F 1/36
402/1

(Continued)

FOREIGN PATENT DOCUMENTS

CN 300780031 * 5/2008
GB 1059410 * 11/1989
JP D01407495 * 2/2011

OTHER PUBLICATIONS

Amazon.com: CAETLE® Light Green Mini Size Beauty Flawless
Makeup, review date May 11, 2015, http://www.amazon.com/CAETLE®-Beauty-Flawless-Blender-Comestic/dp/B00RVSN002/ref=cm_cr_ar_p_d_product_top?ie=UTF8, [site visited May 20,
2016 6:19:23 PM].*

(Continued)

Primary Examiner — John Windmuller
Assistant Examiner — John R Yeh

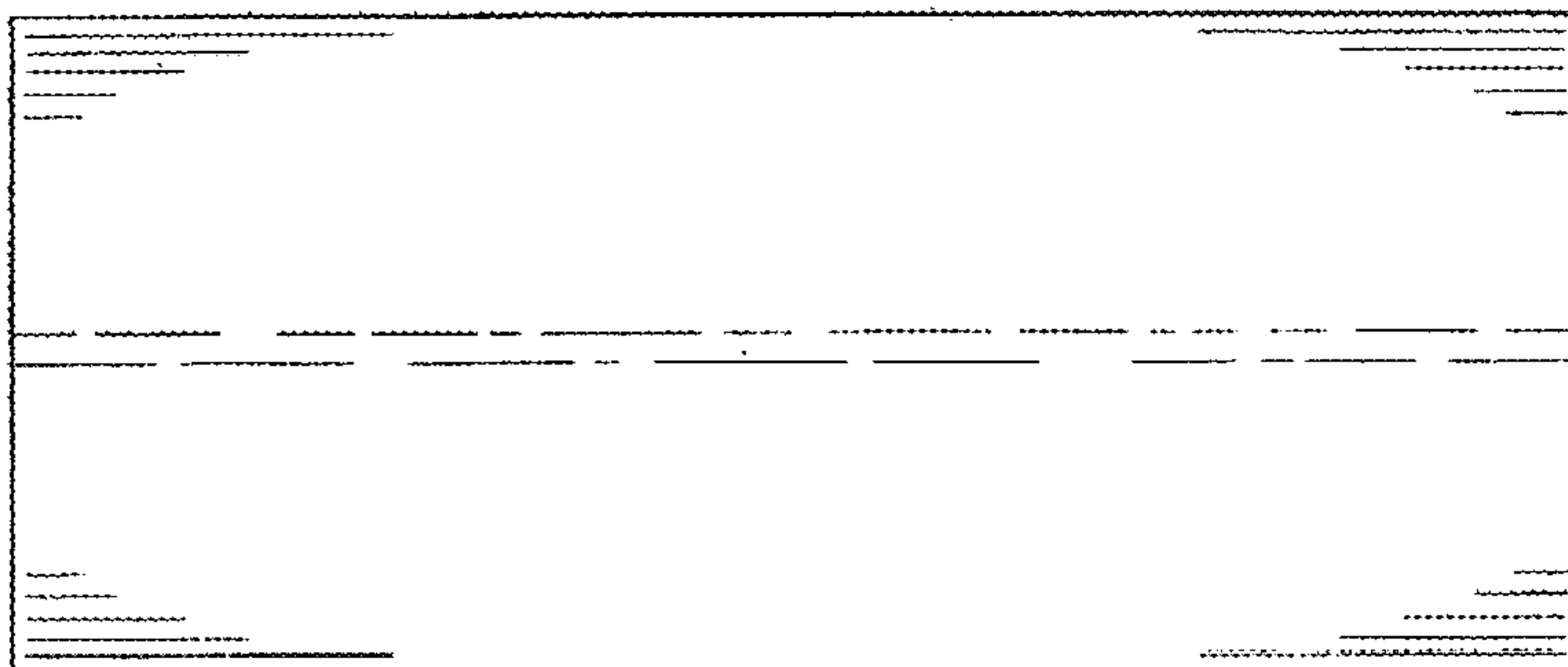
(57) **CLAIM**

The ornamental design for a bath scrubber, as shown and
describes.

DESCRIPTION

FIG. 1 is a top elevation view of the present invention.
FIG. 2 is bottom elevation view.
FIG. 3 is a left elevation view.
FIG. 4 is a right elevation view.
FIG. 5 is a front elevation view.
FIG. 6 is a rear elevation view.
FIG. 7 is a first perspective view; and,
FIG. 8 is a second perspective view.
The broken lines in the figures represent environment of the
bath scrubber and forms no part of the claimed design.

1 Claim, 8 Drawing Sheets



(56)

References Cited

U.S. PATENT DOCUMENTS

D388,570	S *	12/1997	Humphries	D32/42
6,024,626	A *	2/2000	Mendelsohn	A63H 33/046
					446/124
D457,157	S *	5/2002	Best	D14/299
6,973,695	B1 *	12/2005	Nesler	A47L 1/06
					15/144.2
D590,676	S *	4/2009	Pickard	D8/47
7,735,184	B2 *	6/2010	Westbrook	B60S 1/3801
					15/245
D666,358	S *	8/2012	Albers	D28/7
D680,264	S *	4/2013	Manalo	D28/7
8,572,795	B2 *	11/2013	Green	A47L 17/00
					15/210.1
D731,273	S *	6/2015	McPeak Ford	D8/402
D736,881	S *	8/2015	Keisler	D21/791
2004/0038634	A1 *	2/2004	McCarthy	B24D 15/04
					451/526
2011/0146013	A1 *	6/2011	Yun	A46B 5/0095
					15/160

OTHER PUBLICATIONS

Amazon.com: Fuller Tile Grout E-z Scrubber, review date Nov. 2, 2013, http://www.amazon.com/Fuller-Tile-Grout-E-z-Scrubber/dp/B00B91UMQ6/ref=sr_1_2?ie=UTF8&qid=1464490507&sr=8-2&keywords=grout+scrubber, [site visited May 28, 2016 10:56:38 PM].*

* cited by examiner

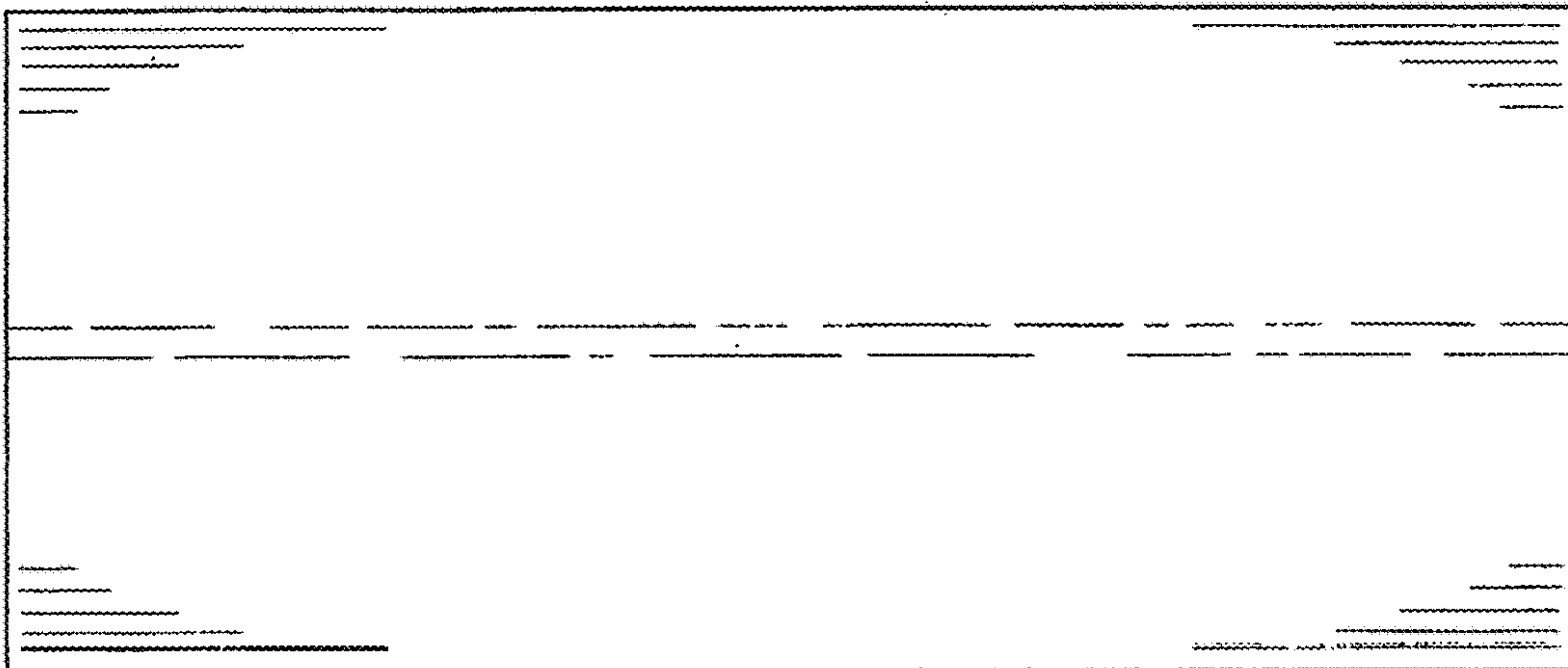


FIG 1

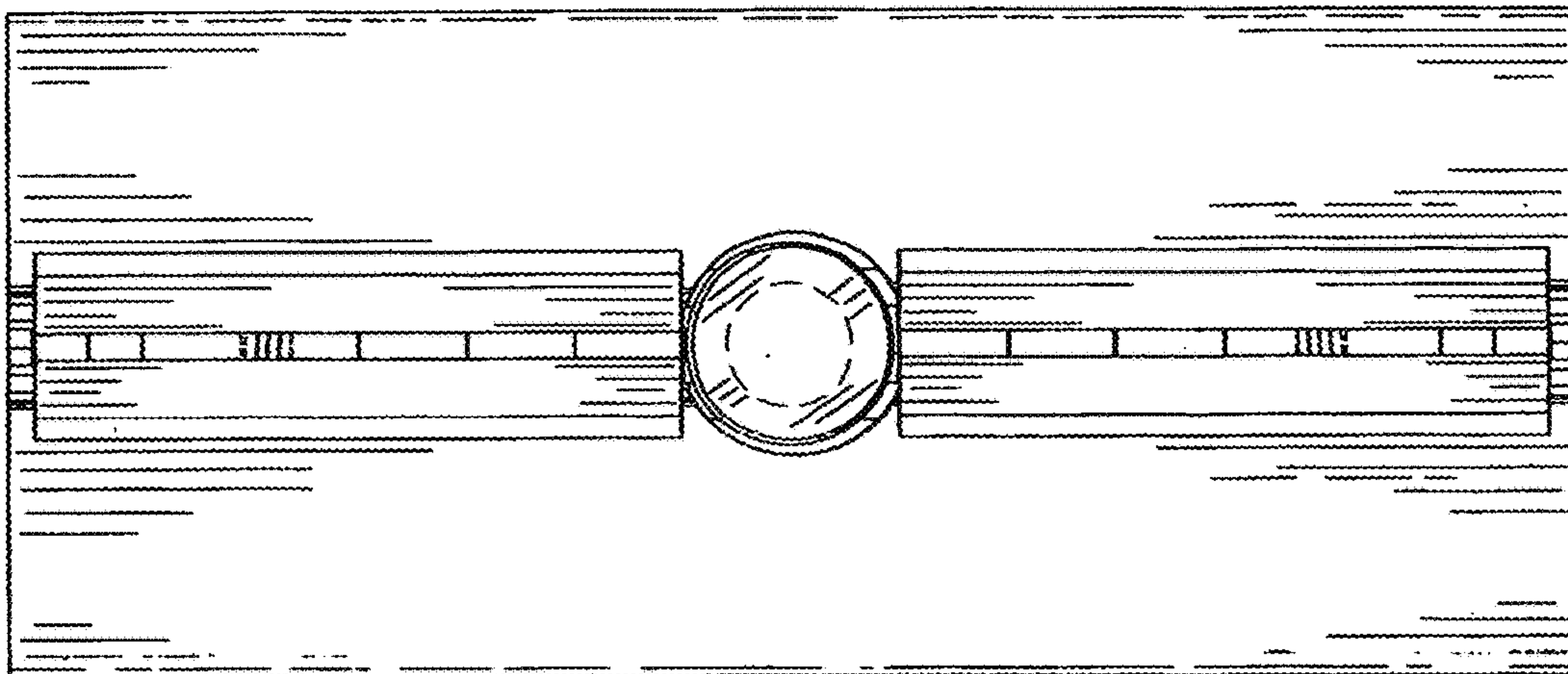


FIG 2

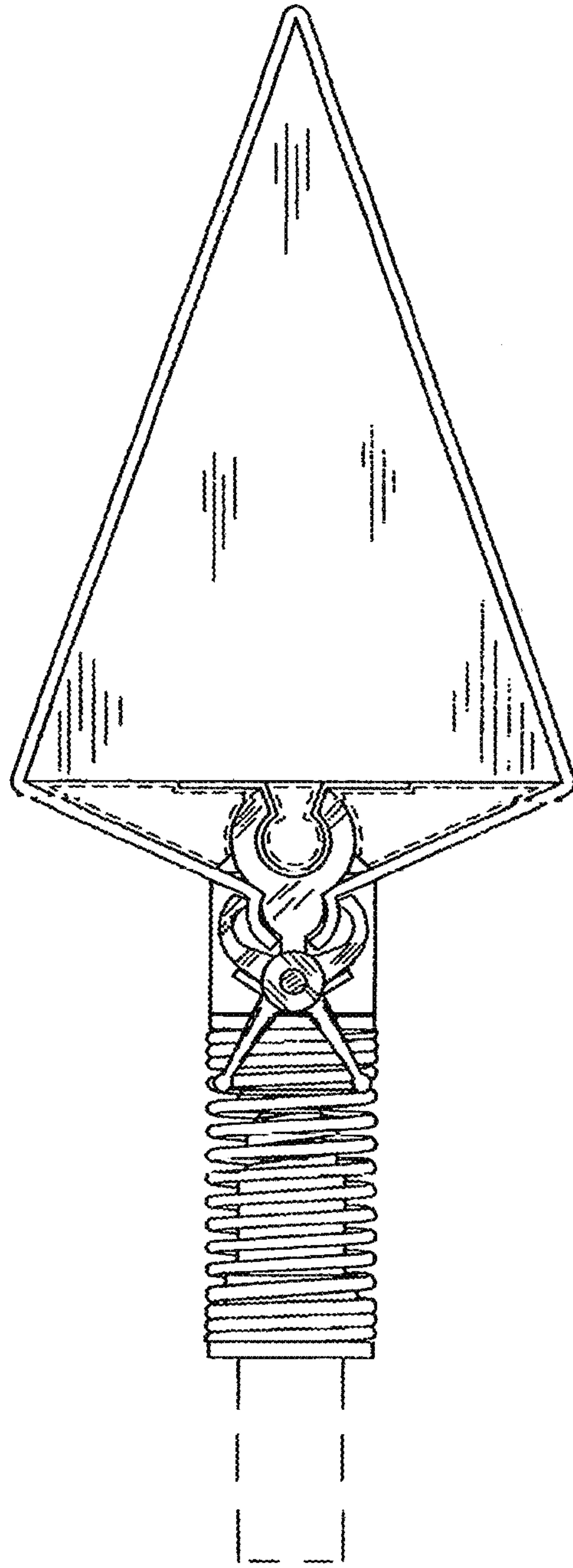


FIG 3

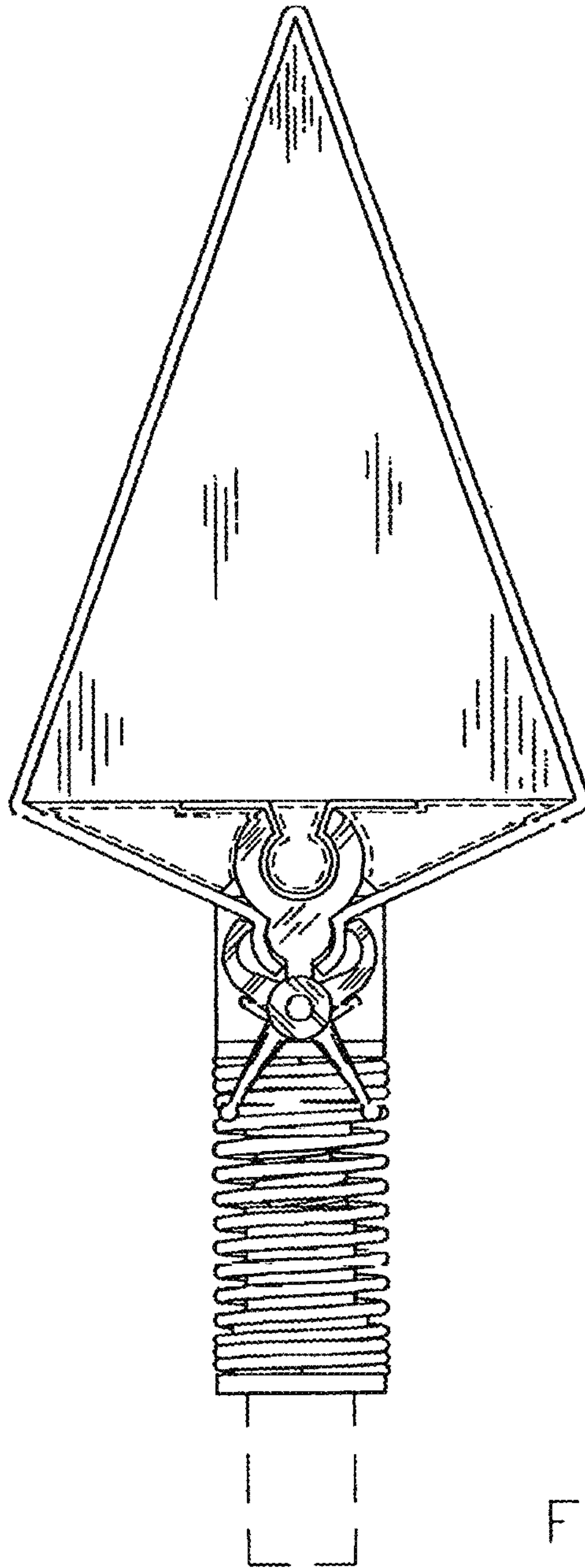
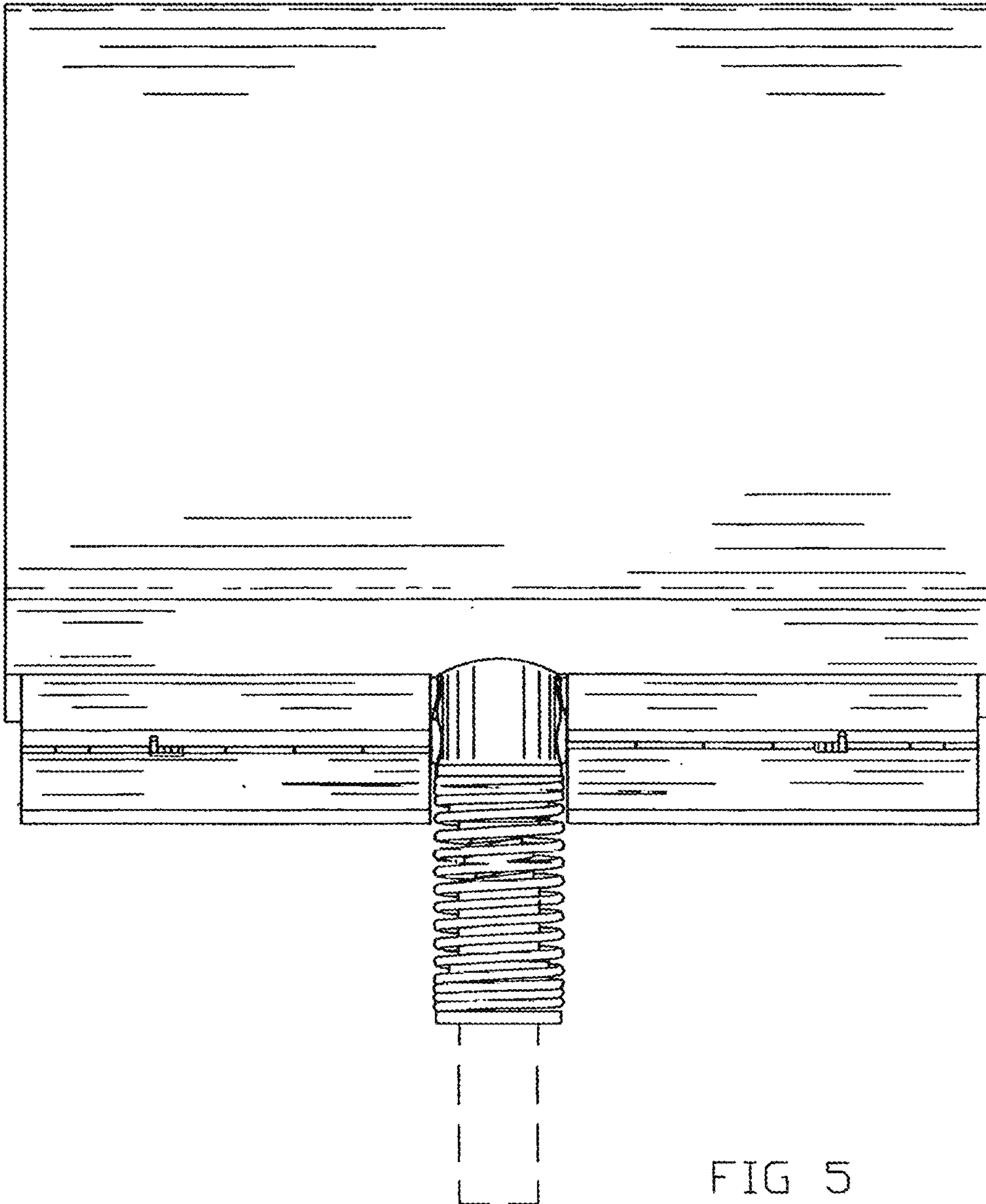


FIG 4



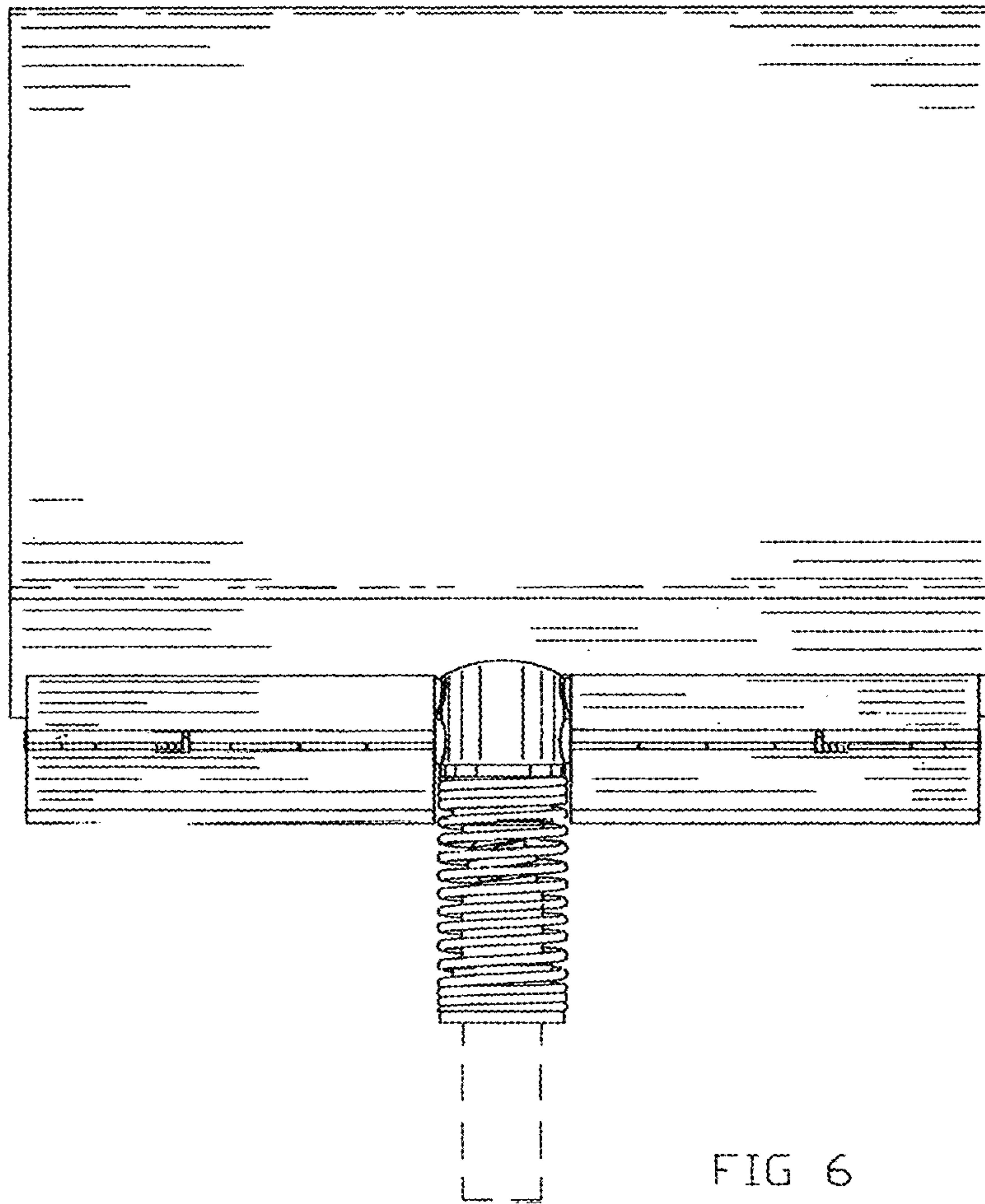


FIG 6

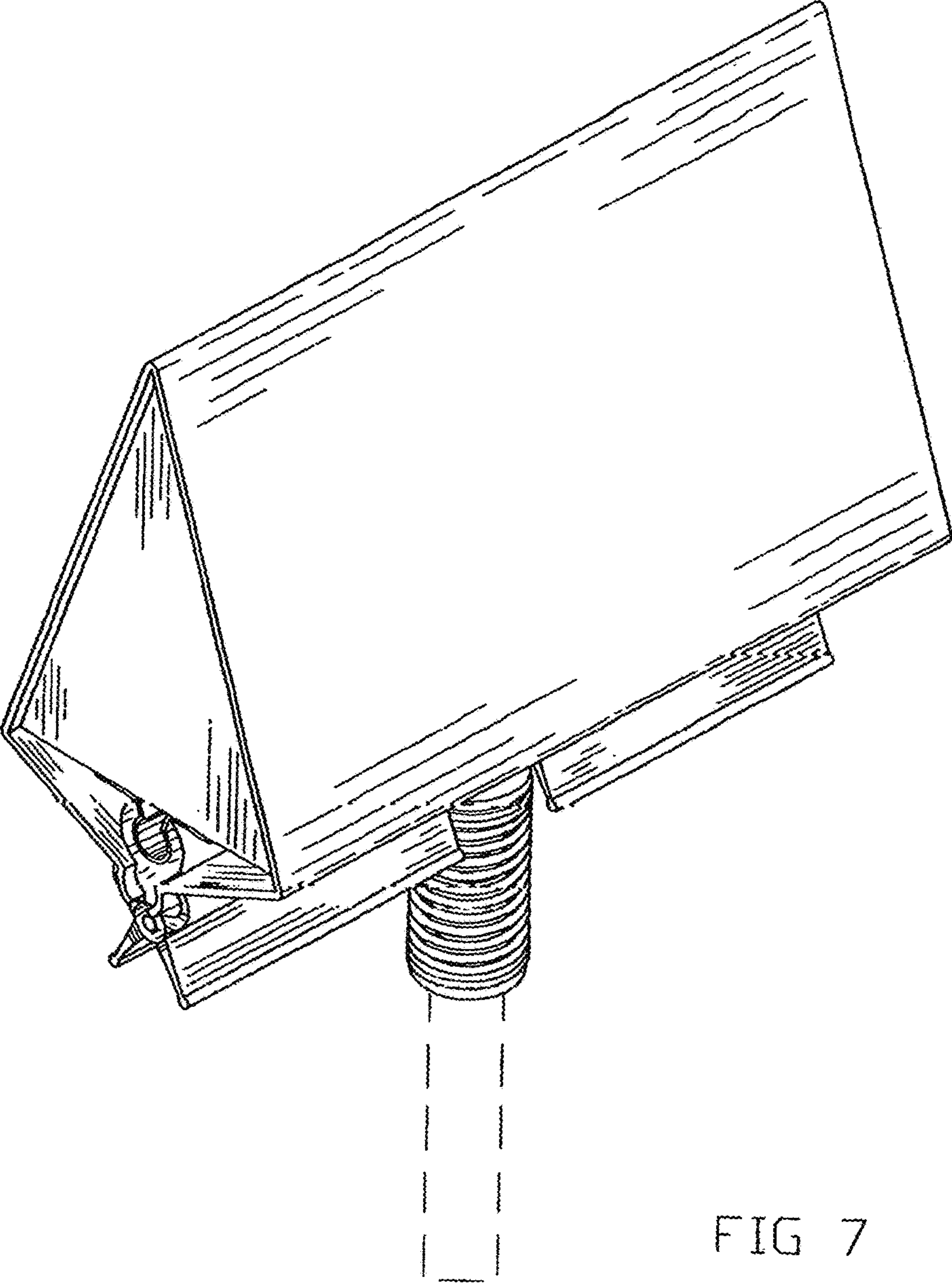


FIG 7

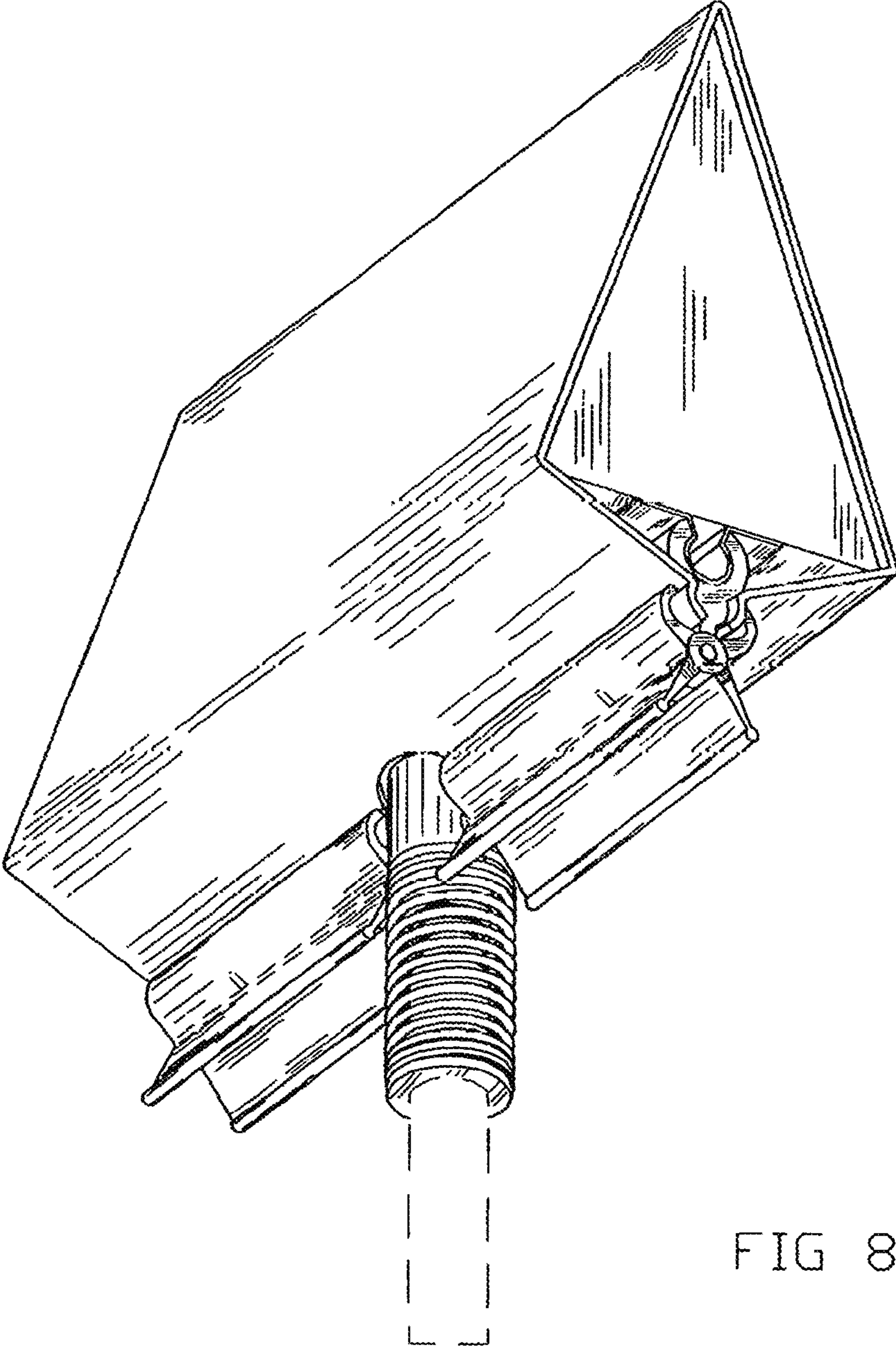


FIG 8