



US00D811032S

(12) **United States Design Patent**
Hatch

(10) **Patent No.:** **US D811,032 S**
(45) **Date of Patent:** **** Feb. 20, 2018**

(54) **DIPSTICK WIPER**

(71) Applicant: **Richard P. Hatch**, Holliday, UT (US)

(72) Inventor: **Richard P. Hatch**, Holliday, UT (US)

(**) Term: **15 Years**

(21) Appl. No.: **29/587,144**

(22) Filed: **Dec. 9, 2016**

(51) **LOC (11) Cl.** **07-05**

(52) **U.S. Cl.**
USPC **D32/35**

(58) **Field of Classification Search**
USPC D32/35, 40; D15/5; 15/246, 218.1,
15/220.4; 33/725
CPC G01F 23/045
See application file for complete search history.

(56) **References Cited**

U.S. PATENT DOCUMENTS

1,553,915	A	9/1925	Rix et al.	
1,916,933	A	7/1933	Peck	
2,259,898	A	10/1941	Lescher	
2,470,484	A	5/1949	Gall	
4,374,445	A	2/1983	Wilson	
D287,430	S *	12/1986	Kaufman	D4/116
4,972,543	A *	11/1990	Michaels	G01F 23/045 15/220.4
D331,748	S	12/1992	Hatch	
5,231,728	A *	8/1993	Schillinger	G01F 23/045 15/220.4

D348,072	S	6/1994	Benham	
5,598,602	A *	2/1997	Gibson	G01F 23/045 15/220.4
D428,224	S	7/2000	Alexander	
D622,922	S	8/2010	Kou	
D681,296	S *	4/2013	Yamada	D32/40
D733,379	S *	6/2015	Chitayat	D32/40
D782,139	S *	3/2017	Dooley	D32/40

* cited by examiner

Primary Examiner — Cynthia Ramirez

Assistant Examiner — Laura H Yu

(74) *Attorney, Agent, or Firm* — Dobbin IP Law;
Geoffrey E. Dobbin

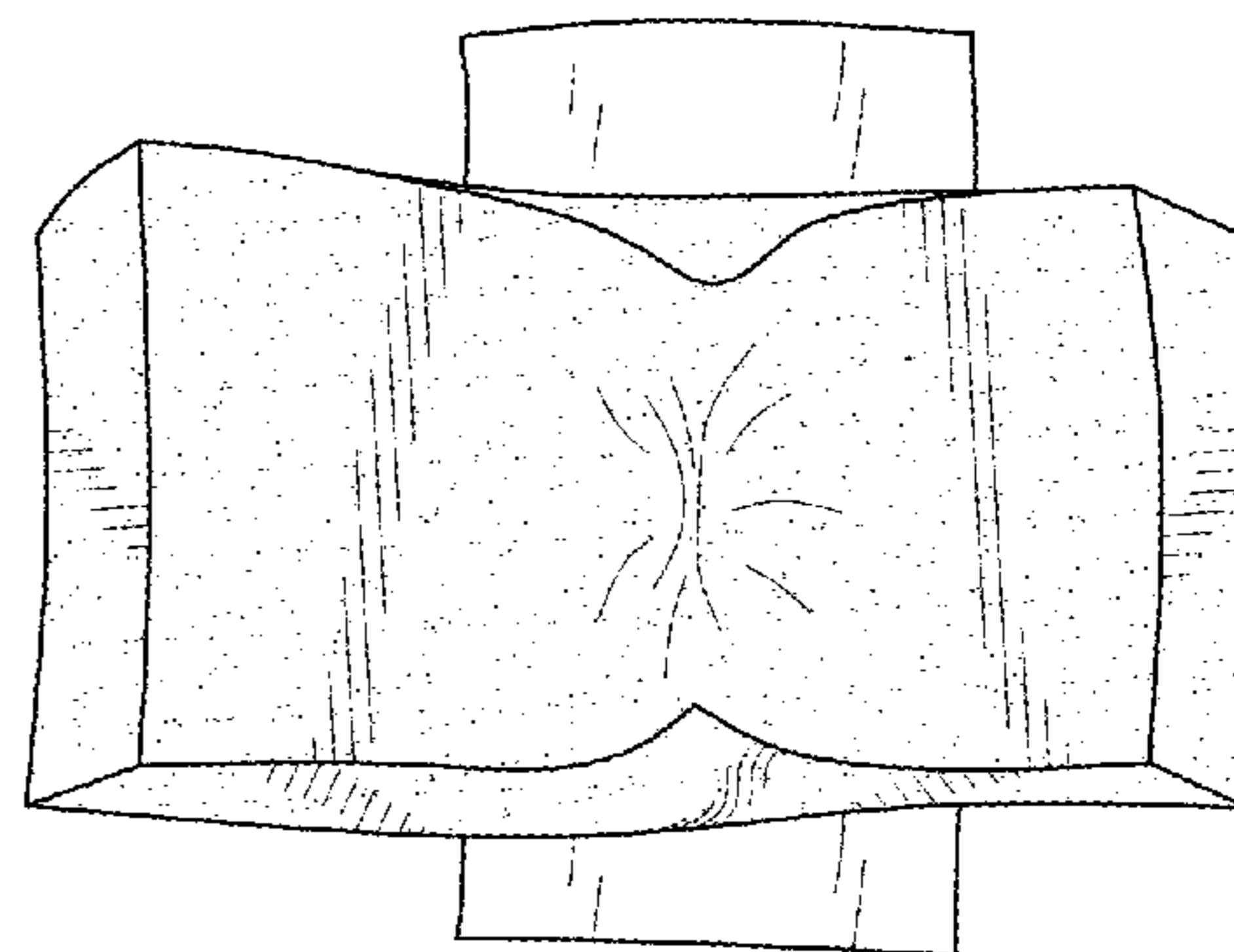
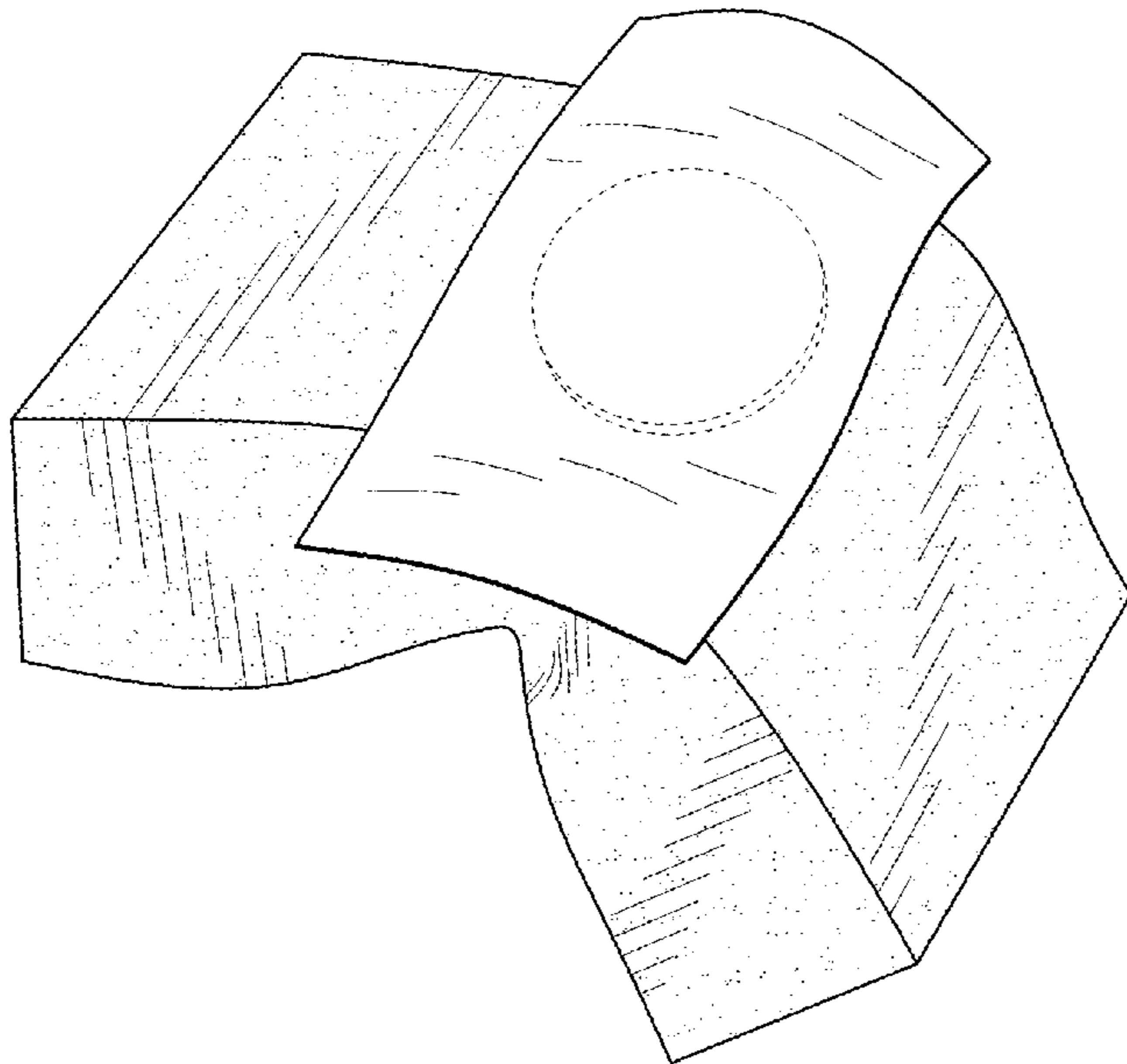
(57) **CLAIM**

The ornamental design for a dipstick wiper, as shown and described.

DESCRIPTION

FIG. 1 is a perspective view of the dipstick wiper.
FIG. 2 is a right elevation of the dipstick wiper.
FIG. 3 is a left elevation of the dipstick wiper.
FIG. 4 is a rear elevation of the dipstick wiper.
FIG. 5 is a front elevation of the dipstick wiper.
FIG. 6 is a bottom plan view of the dipstick wiper.
FIG. 7 is a top plan view of the dipstick wiper; and,
FIG. 8 is an alternate perspective view of the dipstick wiper.
The broken lines in figures depict unclaimed attachment structure and are illustrative of environment and not intended to form a part of the claimed design.

1 Claim, 5 Drawing Sheets



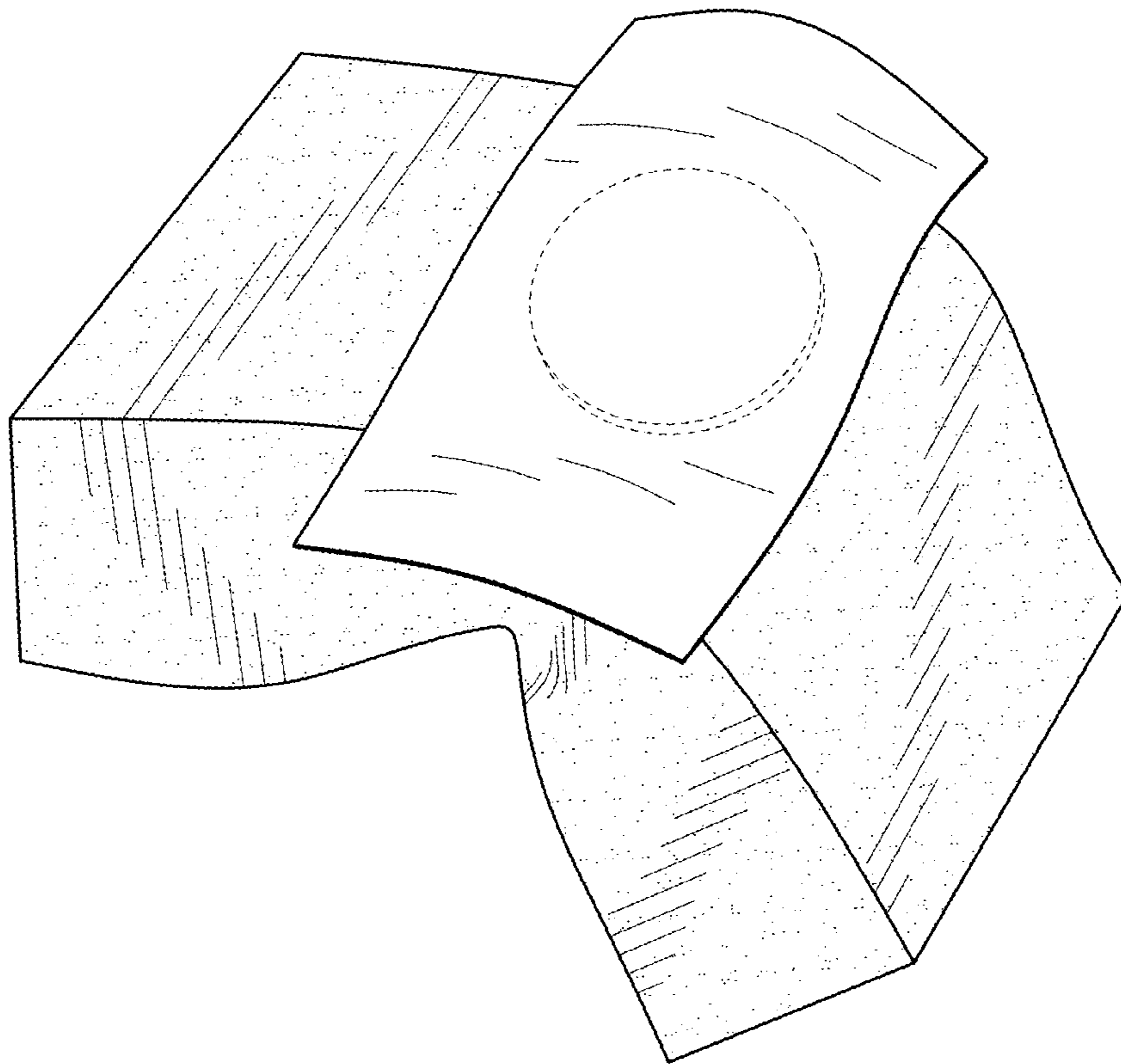


FIG. 1

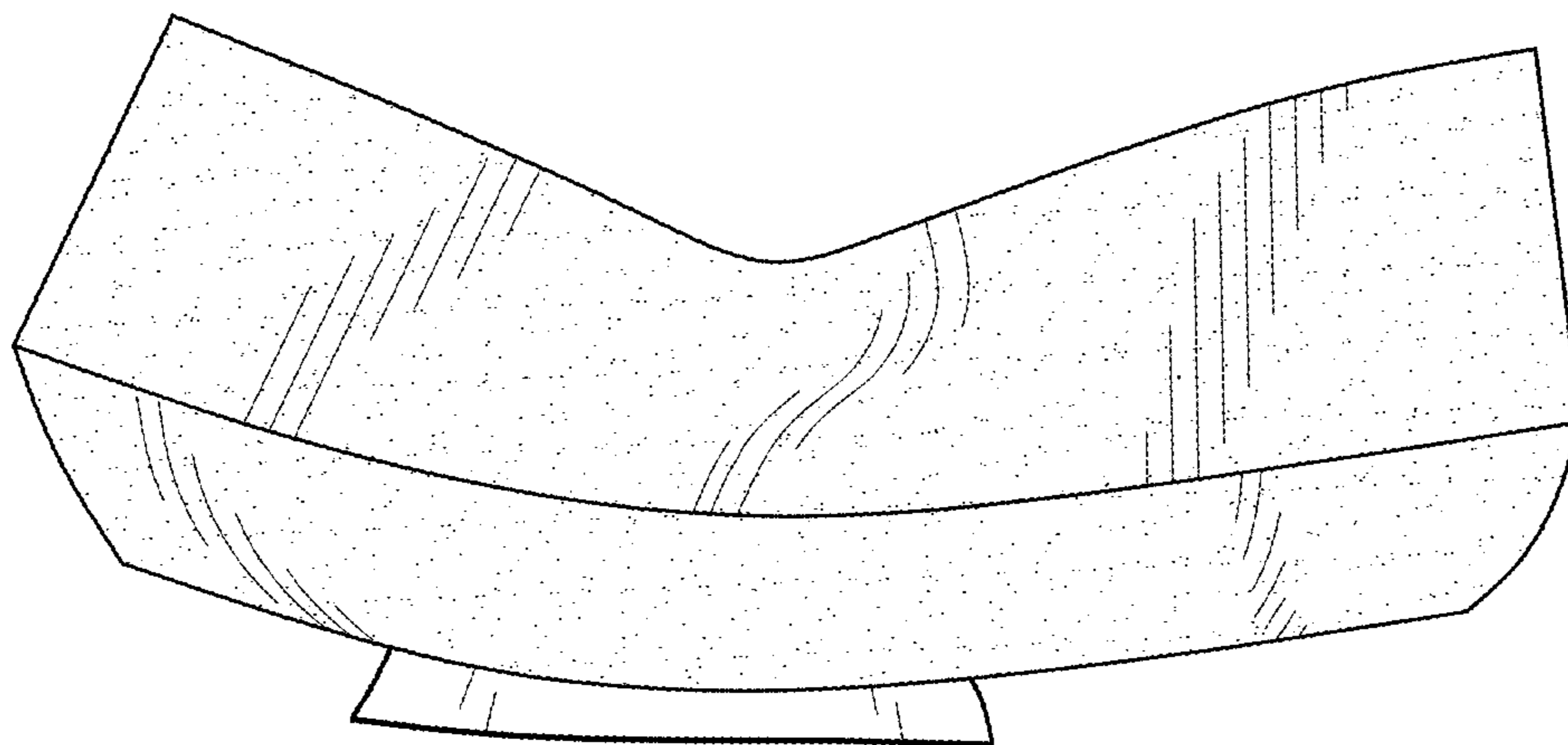


FIG. 2

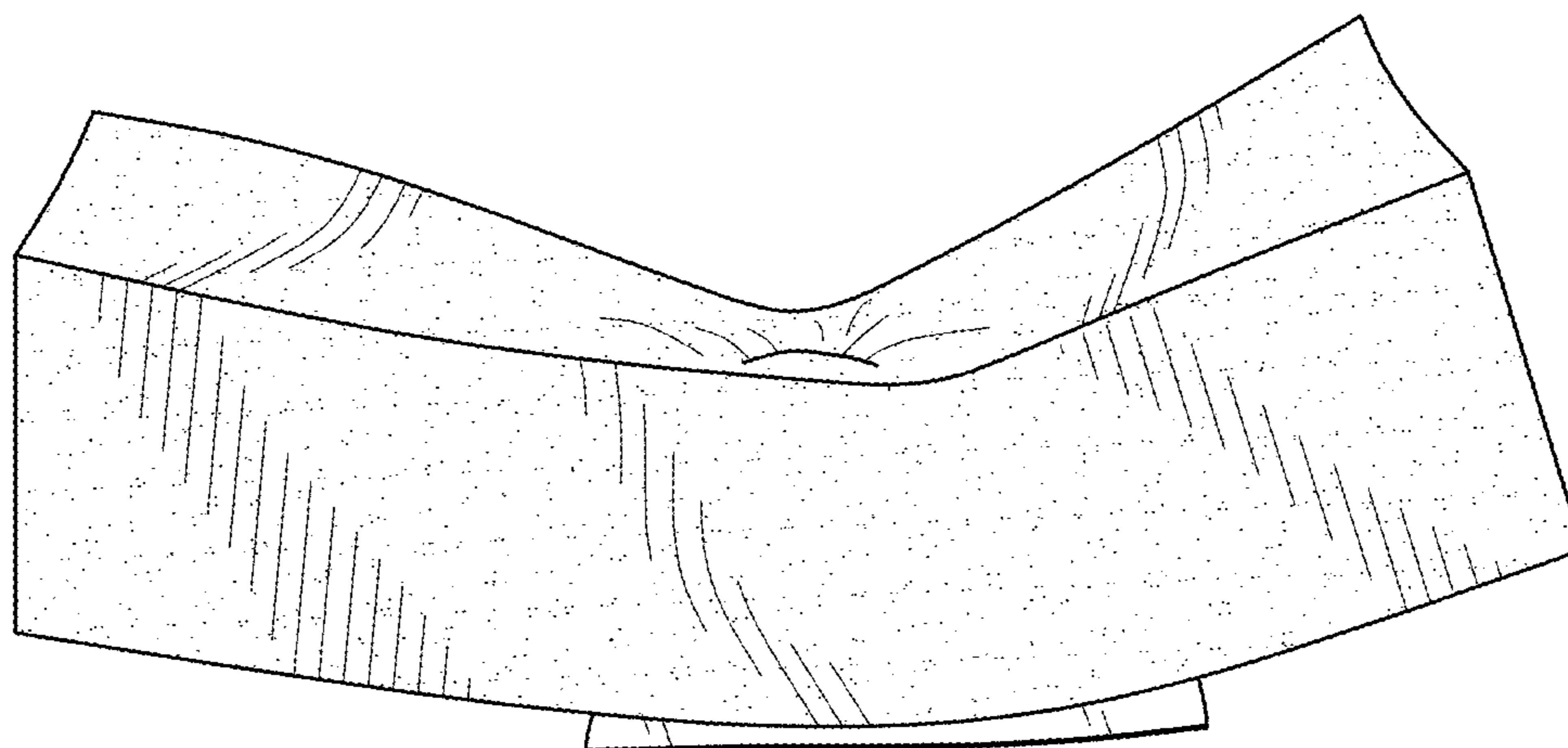


FIG. 3

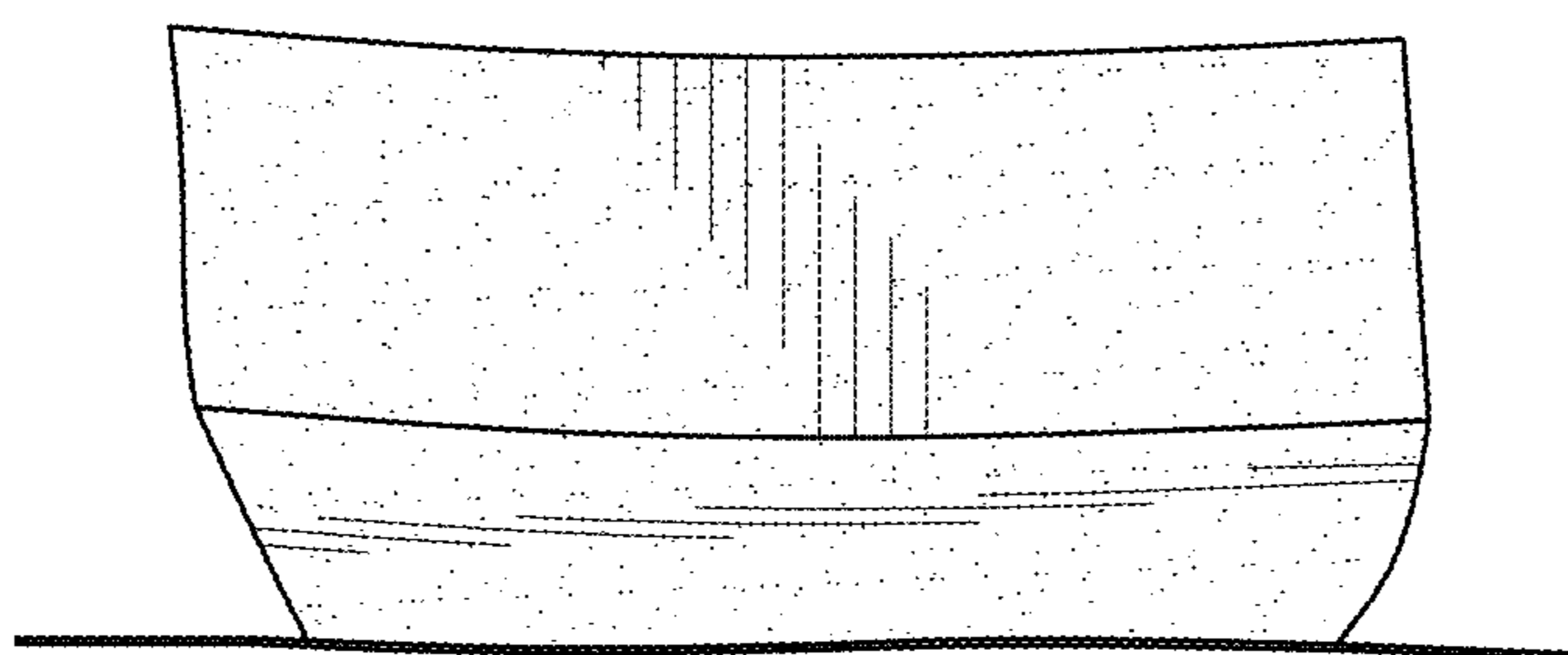


FIG. 4

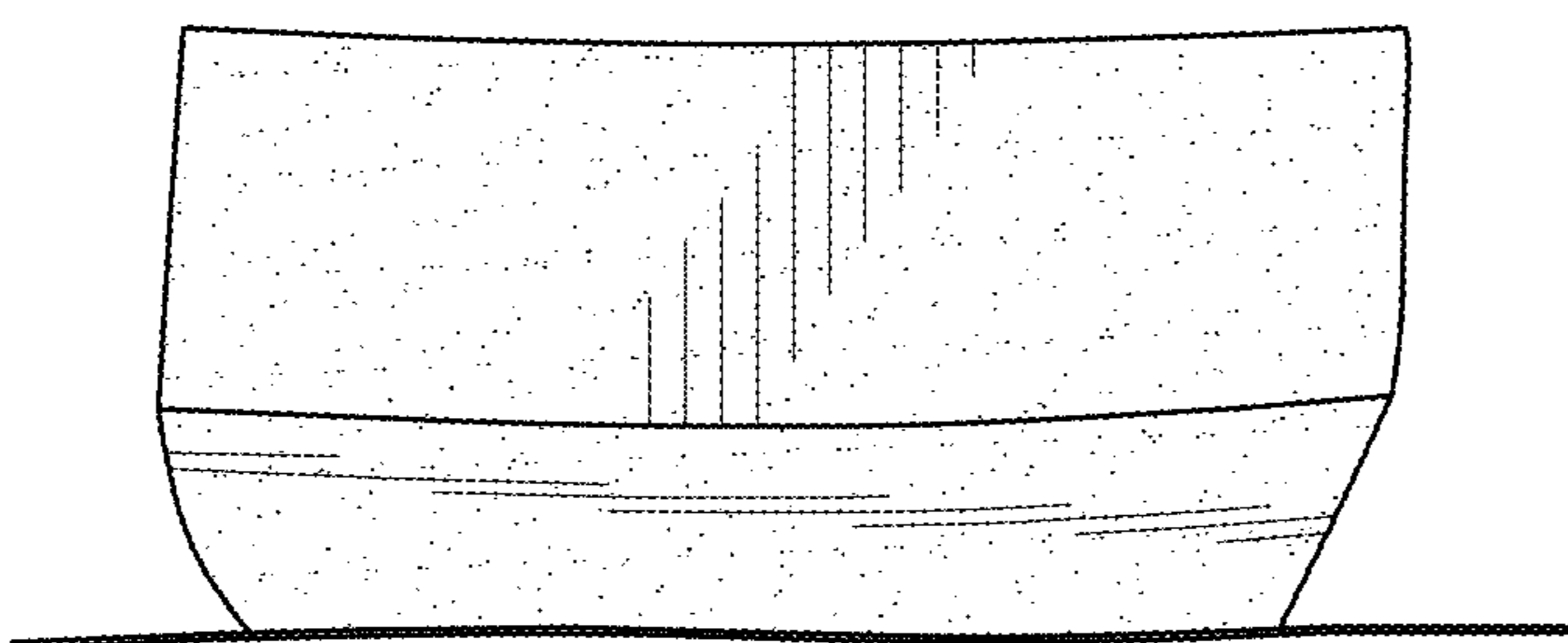


FIG. 5

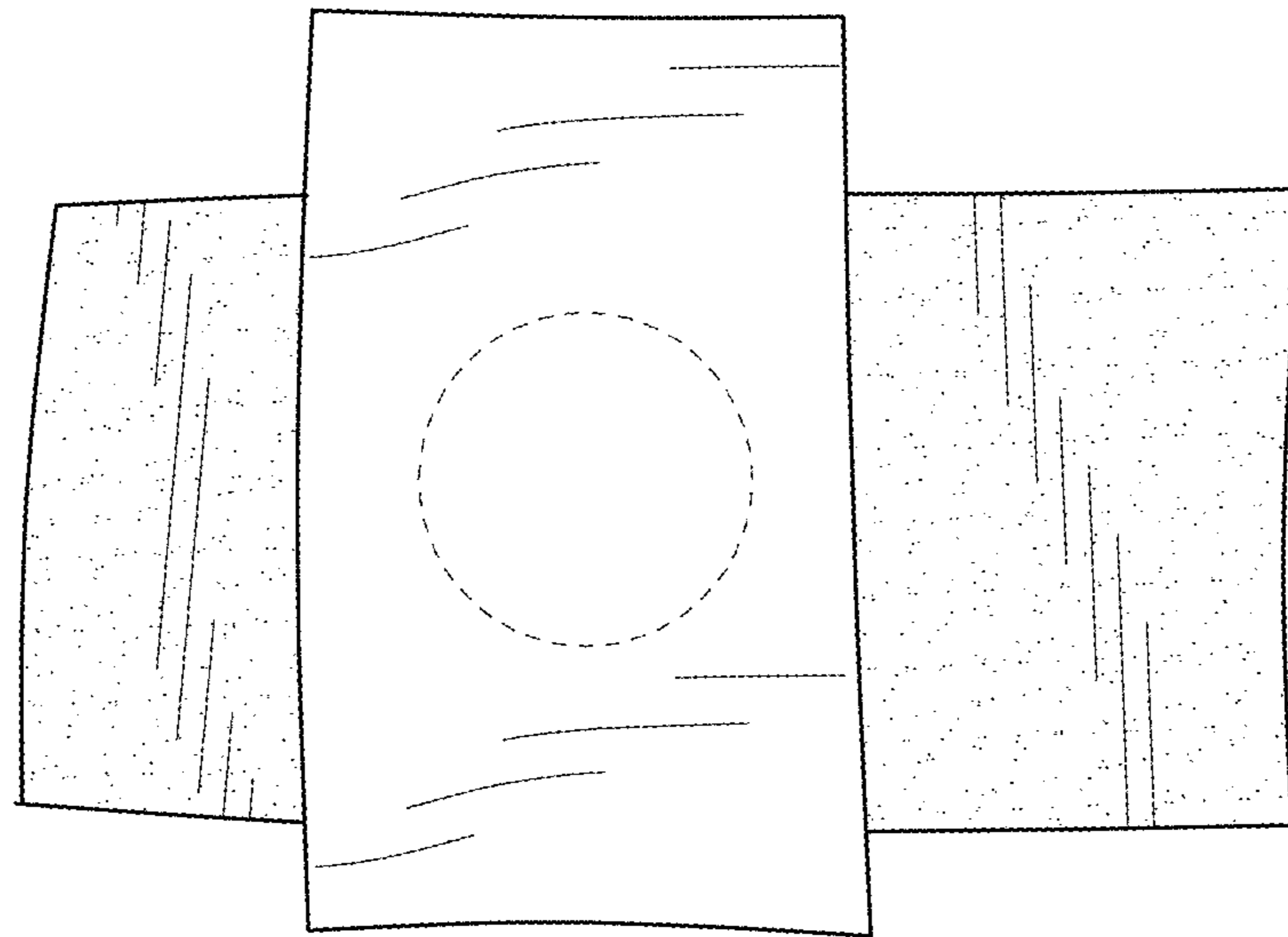


FIG. 6

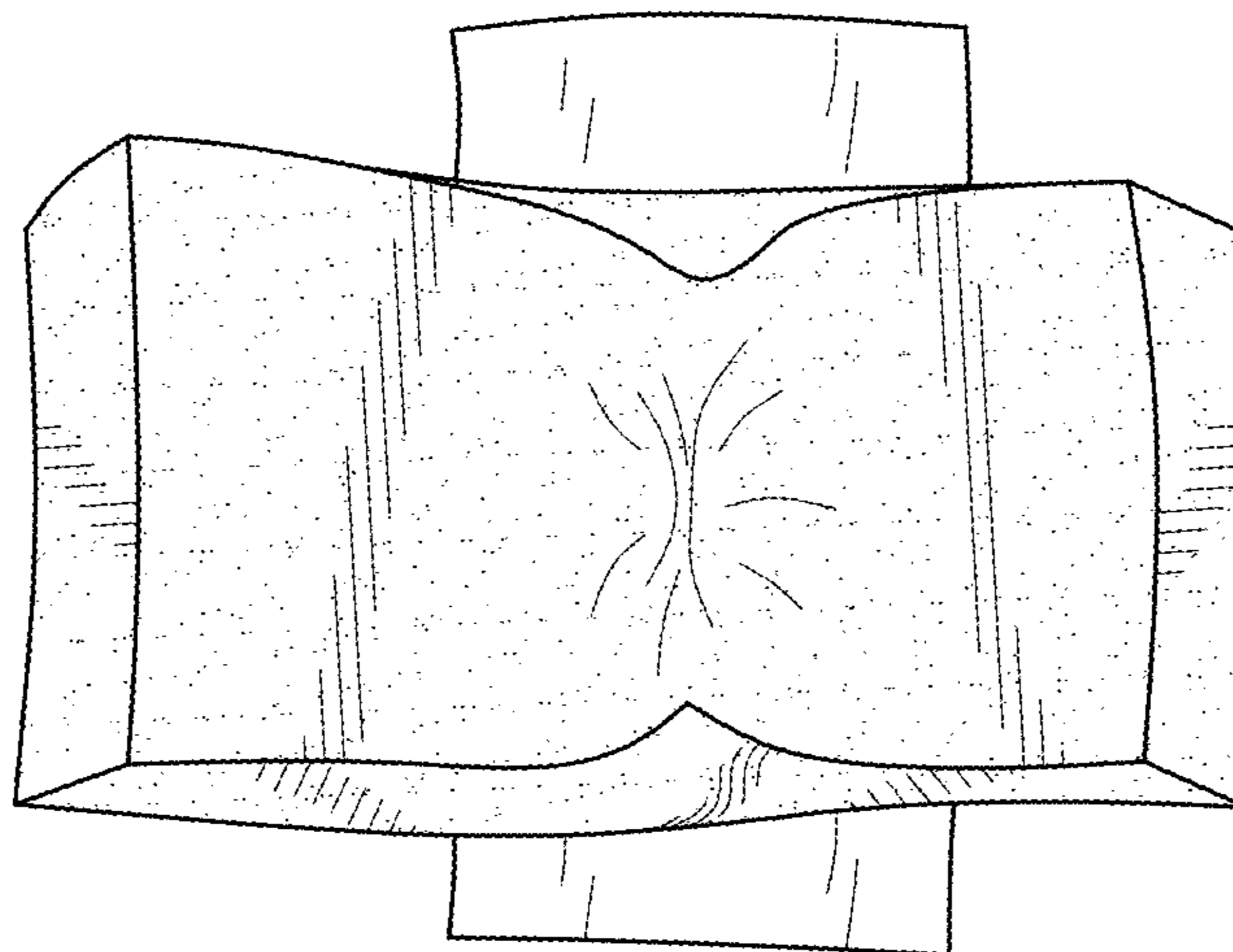


FIG. 7

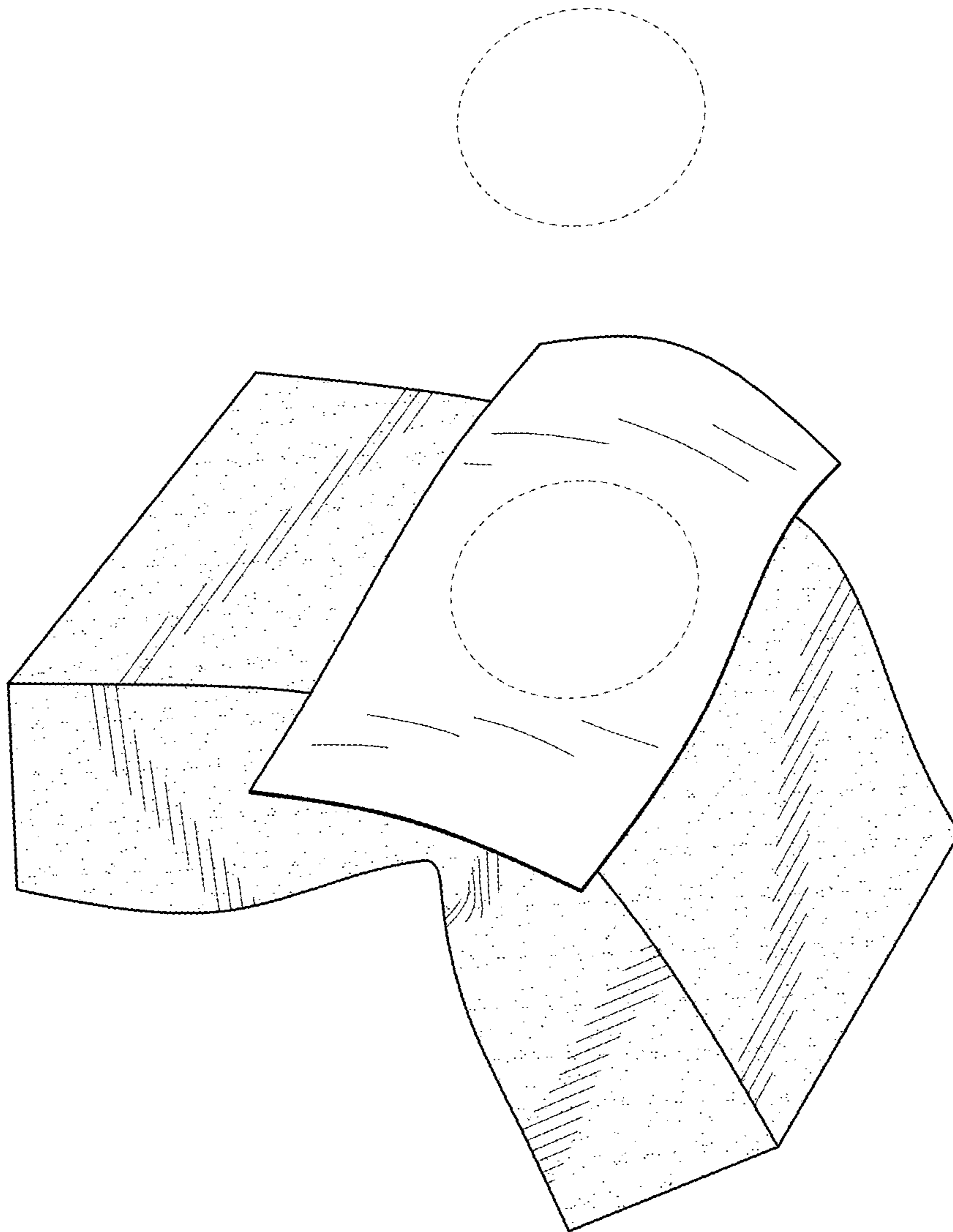


FIG. 8