



US00D811031S

(12) **United States Design Patent**  
**Palladino et al.**

(10) **Patent No.:** **US D811,031 S**

(45) **Date of Patent:** **\*\* Feb. 20, 2018**

(54) **FILTER CAP FOR A HANDHELD VACUUM**

(71) Applicant: **SHARKNINJA OPERATING LLC**,  
Newton, MA (US)

(72) Inventors: **Gary V. Palladino**, Somerville, MA  
(US); **Owen Rhys Alban Johnson**,  
Needham, MA (US)

(73) Assignee: **SharkNinja Operating LLC**,  
Needham, MA (US)

(\*\*) Term: **15 Years**

(21) Appl. No.: **29/566,629**

(22) Filed: **Jun. 1, 2016**

(51) **LOC (11) Cl.** ..... **15-05**

(52) **U.S. Cl.**  
USPC ..... **D32/31**

(58) **Field of Classification Search**  
USPC ..... D32/17-18, 21, 31  
CPC ..... A47L 5/24; A47L 5/28; A47L 7/0038  
See application file for complete search history.

(56) **References Cited**

**U.S. PATENT DOCUMENTS**

D577,163 S *	9/2008	Dyson	.....	D32/21
8,156,609 B2 *	4/2012	Milne	.....	A47L 5/24
				15/344
D731,134 S *	6/2015	Dyson	.....	D32/31
D731,720 S *	6/2015	Gidwell	.....	D32/18

D741,558 S *	10/2015	Kerr	.....	D32/18
D742,083 S *	10/2015	Gidwell	.....	D32/31
D743,123 S *	11/2015	Chu	.....	D32/18
D745,231 S *	12/2015	Niedzwecki	.....	D32/18
D747,571 S *	1/2016	Dyson	.....	D32/18
D781,011 S *	3/2017	Bu	.....	D32/18
9,661,964 B2 *	5/2017	Conrad	.....	A47L 5/24

\* cited by examiner

*Primary Examiner* — Ruth McInroy

(74) *Attorney, Agent, or Firm* — Grossman, Tucker,  
Perreault & Pfleger, PLLC

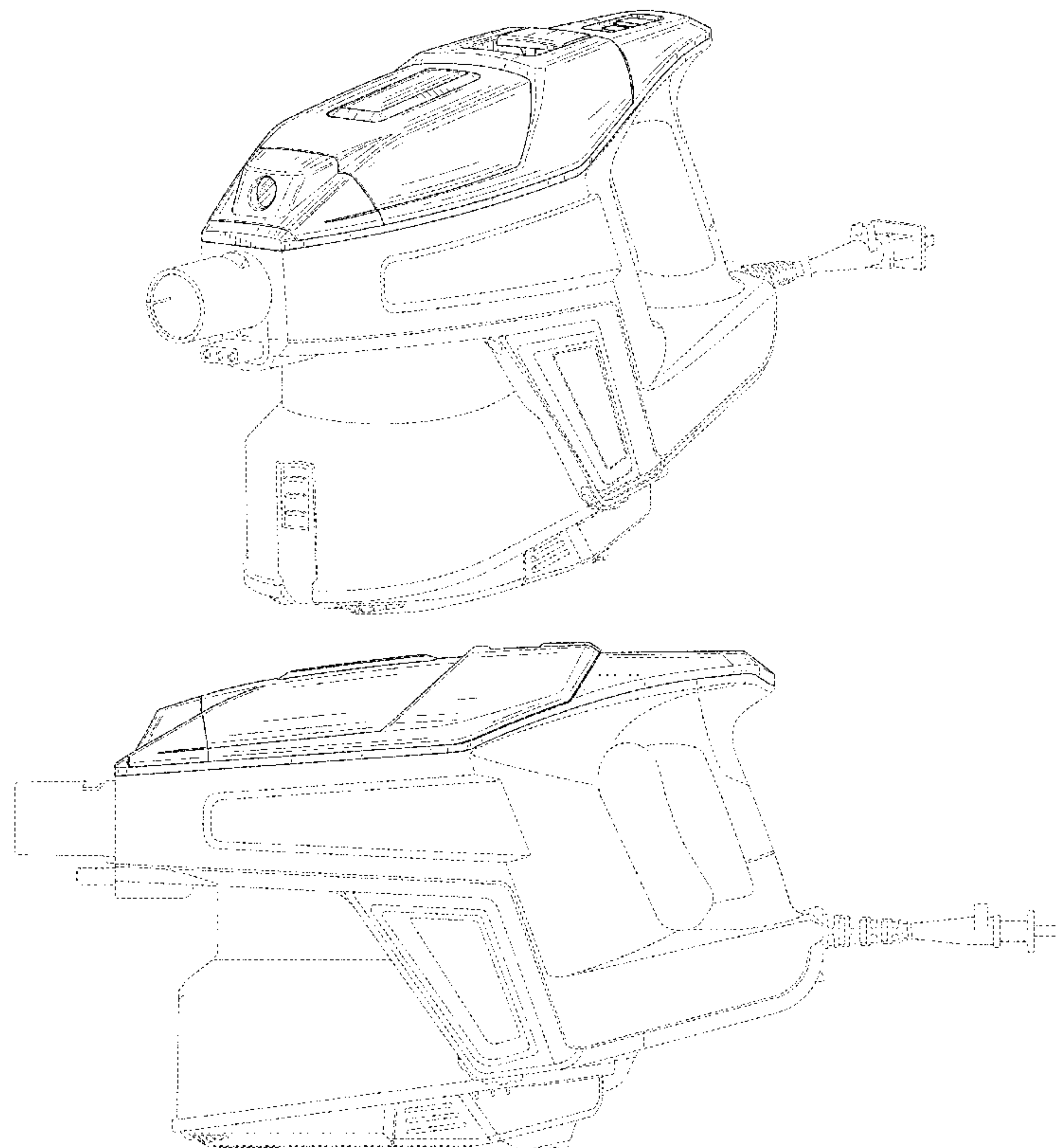
(57) **CLAIM**

The ornamental design of a filter cap for a handheld vacuum,  
as shown and described.

**DESCRIPTION**

FIG. 1 is a perspective view of a filter cap for a handheld vacuum showing our new design; FIG. 2 is a front view of the filter cap shown in FIG. 1; FIG. 3 is a rear view of the filter cap shown in FIG. 1; FIG. 4 is a left side view of the filter cap shown in FIG. 1; FIG. 5 is a right side view of the filter cap shown in FIG. 1; FIG. 6 is a top view of the filter cap shown in FIG. 1; and, FIG. 7 is a bottom view of the filter cap shown in FIG. 1. The broken lines are included for the purpose of illustrating the unclaimed portions of the article and form no part of the claim.

**1 Claim, 6 Drawing Sheets**



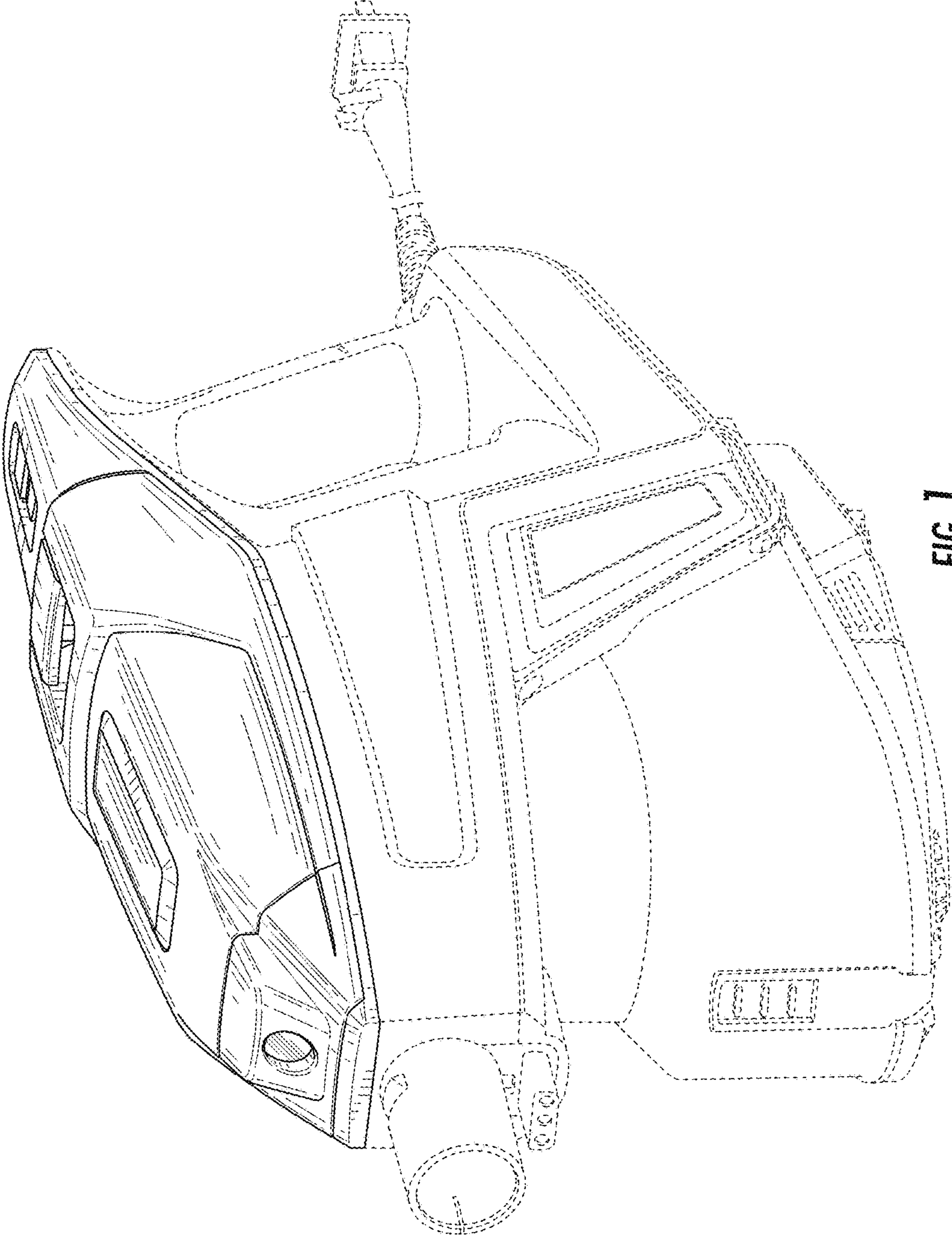


FIG. 1

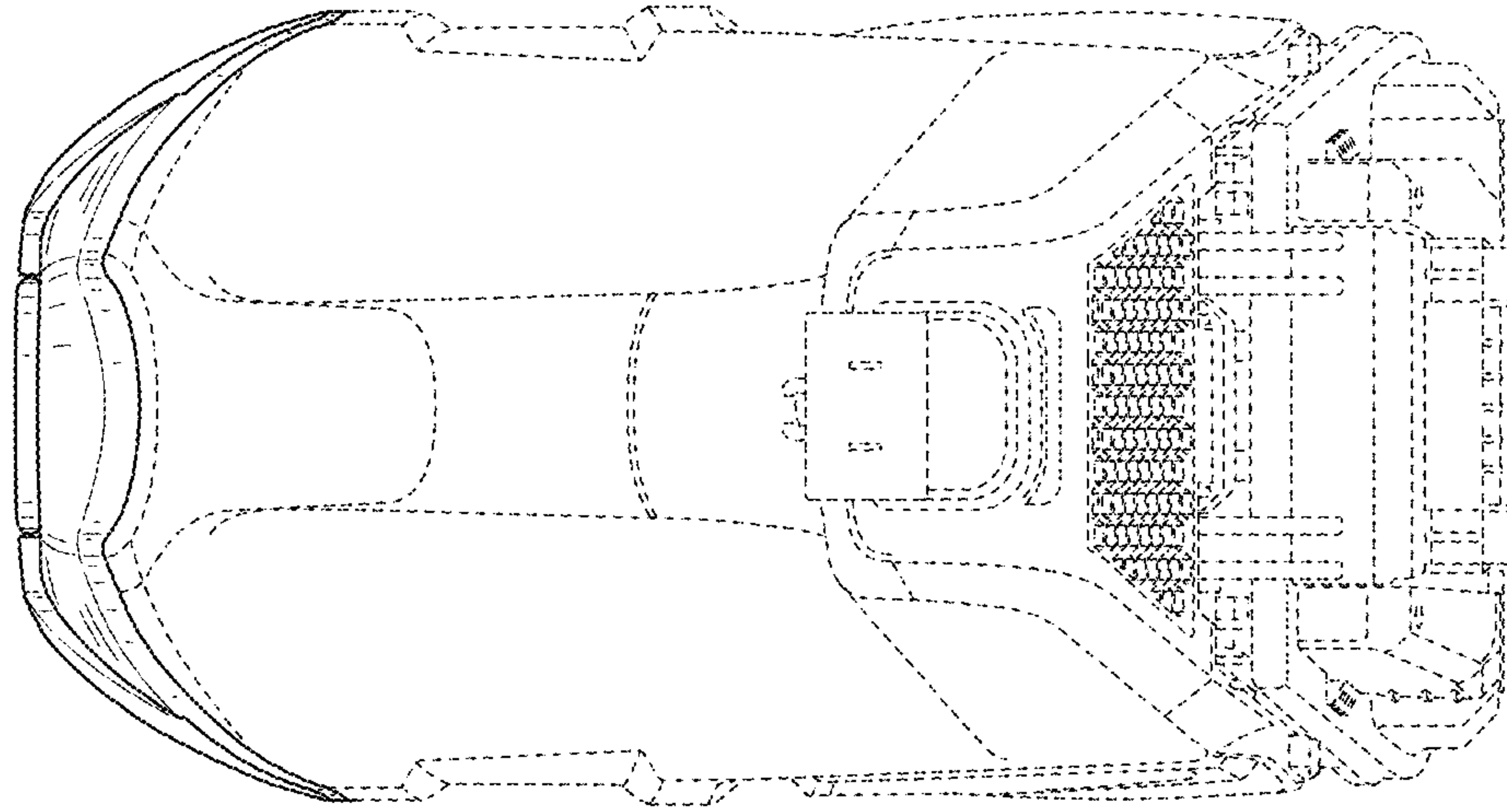


FIG. 3

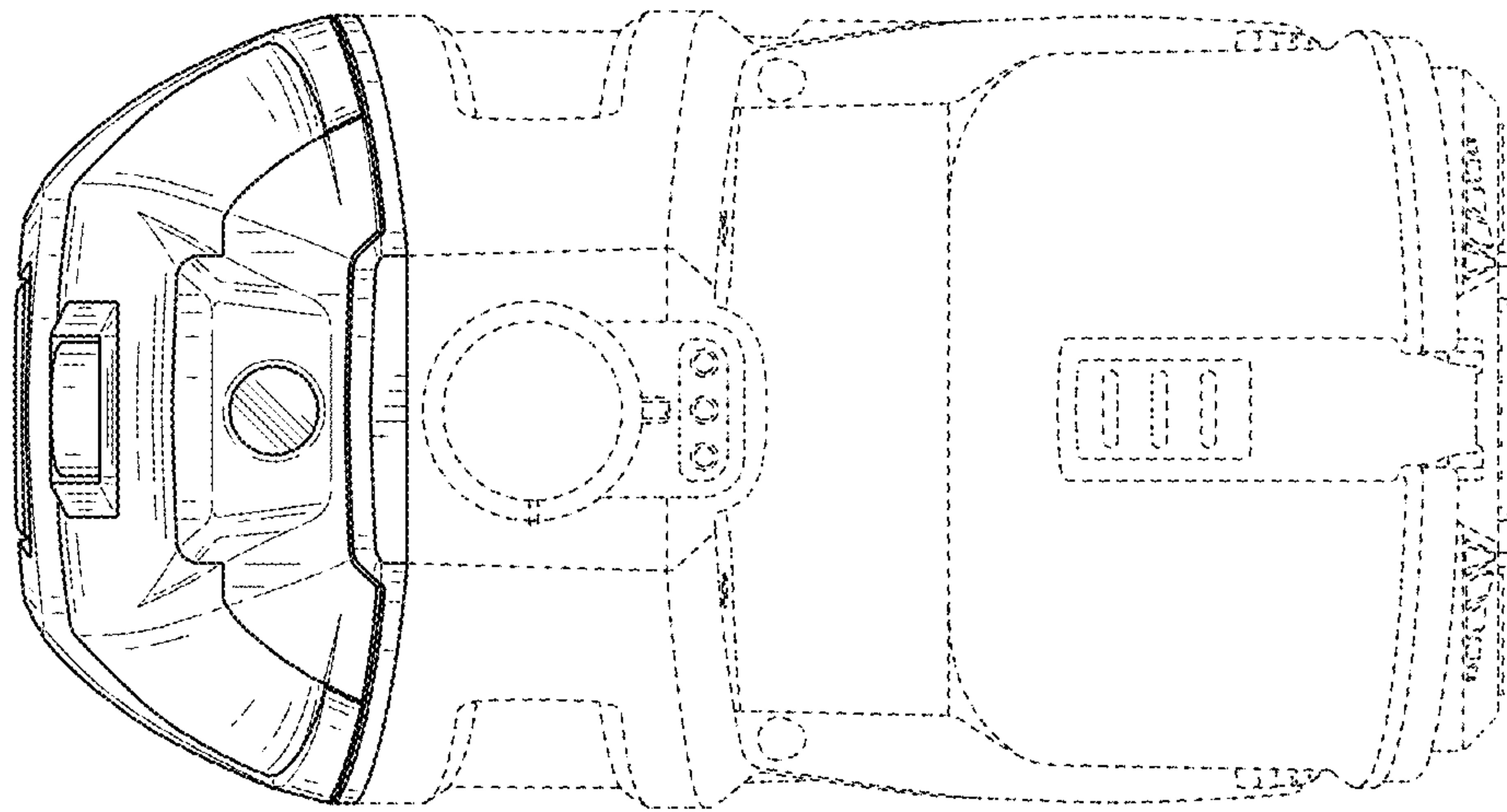


FIG. 2



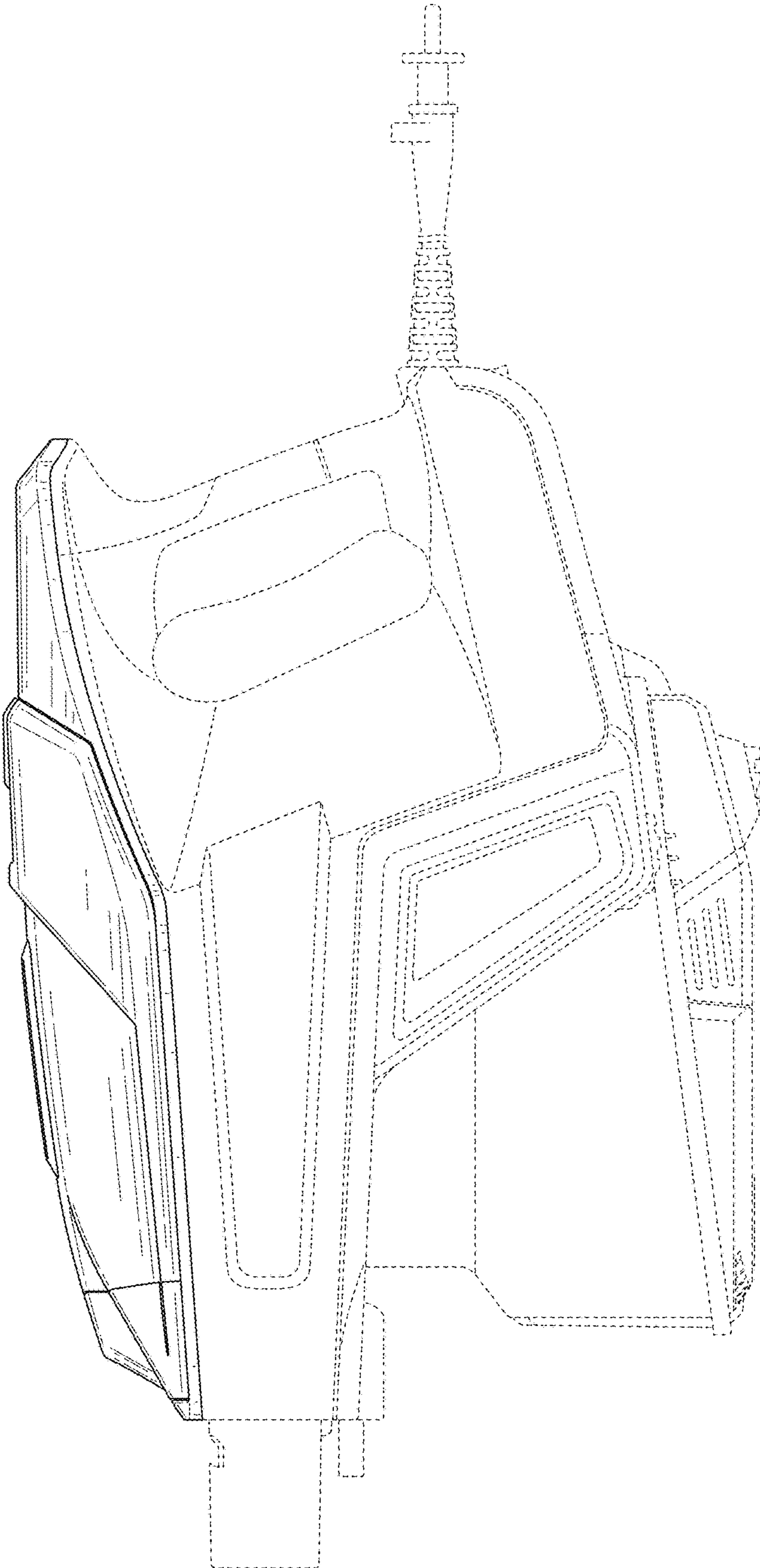


FIG. 4

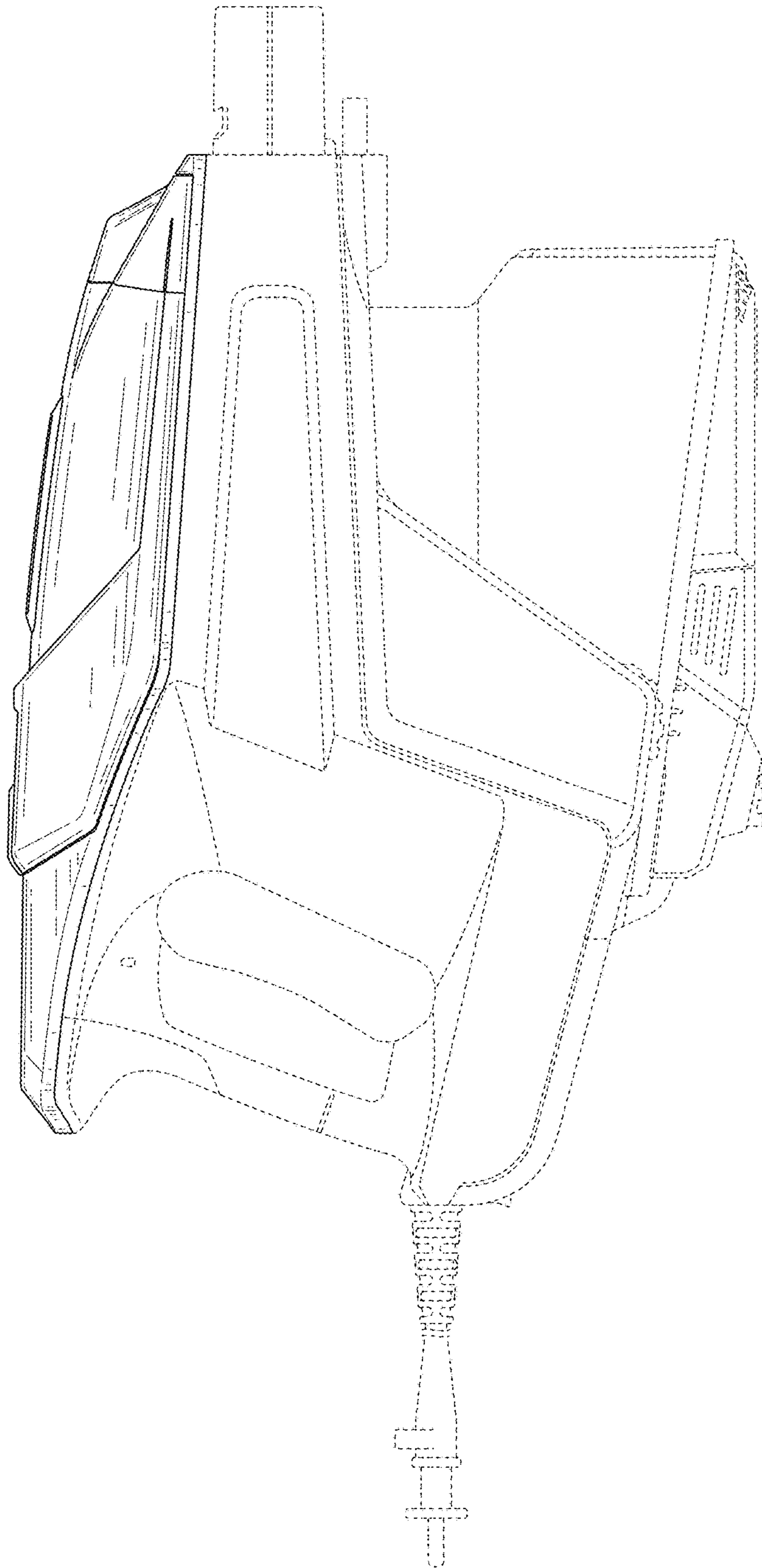


FIG. 5

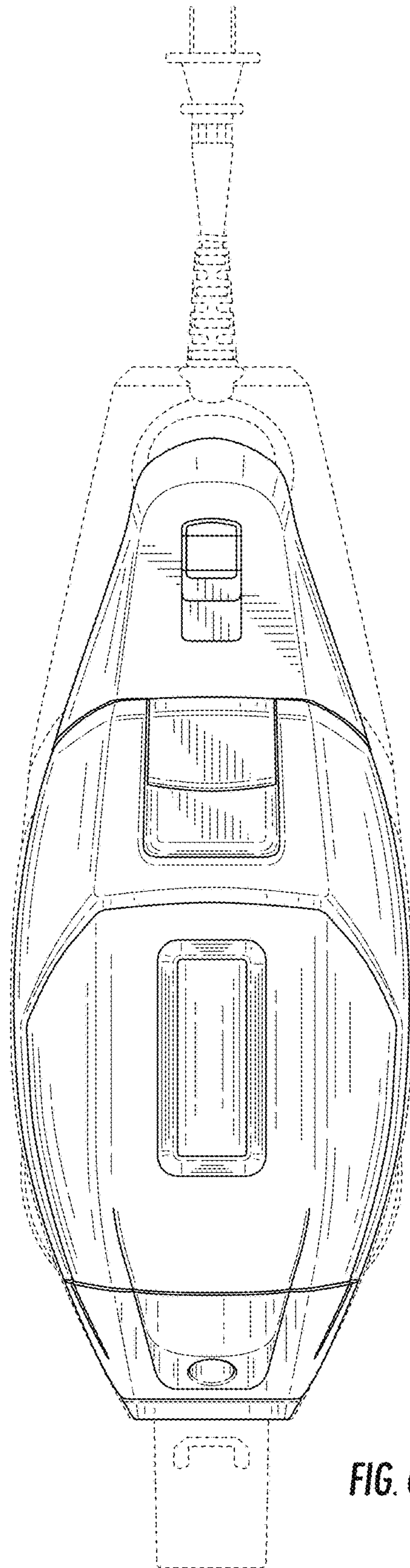


FIG. 6

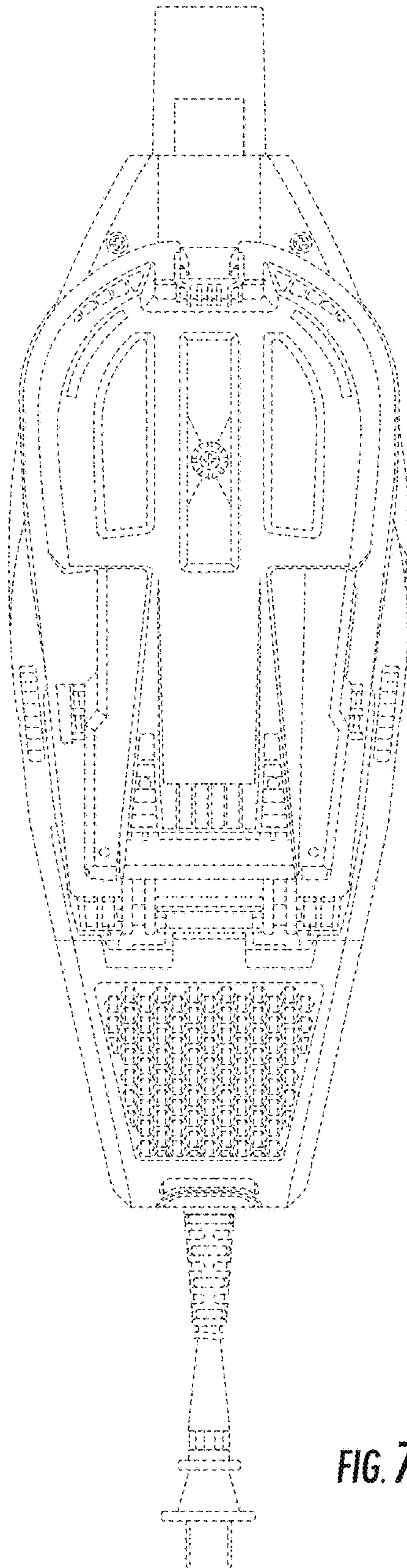


FIG. 7