



US00D811030S

(12) **United States Design Patent**
Jang et al.

(10) **Patent No.:** **US D811,030 S**
(45) **Date of Patent:** **** Feb. 20, 2018**

(54) **VACUUM CLEANER**

(71) Applicant: **Samsung Electronics Co., Ltd.**,
Suwon-si (KR)

(72) Inventors: **Jae-Ho Jang**, Seoul (KR); **Jae-Jin Lee**,
Goyang-si (KR); **Hyoung-Sub Choi**,
Goyang-si (KR)

(73) Assignee: **SAMSUNG ELECTRONICS CO.,
LTD.**, Suwon-si (KR)

(**) Term: **15 Years**

(21) Appl. No.: **29/556,687**

(22) Filed: **Mar. 2, 2016**

(30) **Foreign Application Priority Data**

Sep. 2, 2015 (KR) 30-2015-0044357

(51) **LOC (11) Cl.** **15-05**

(52) **U.S. Cl.**
USPC **D32/31**

(58) **Field of Classification Search**
USPC D32/17-18, 21-22, 31, 34
CPC A47L 5/24; A47L 5/28; A47L 5/34; A47L
5/362; A47L 5/36; A47L 11/34; A47L
9/325; A47L 9/20; A47L 9/02; A47L
9/32; A47L 9/322; A47L 9/327; A47L
7/0038

See application file for complete search history.

(56) **References Cited**

U.S. PATENT DOCUMENTS

D545,011 S * 6/2007 Ågren D32/22
D564,156 S * 3/2008 Ågren D32/31
D565,814 S * 4/2008 Ågren D32/22
D574,563 S * 8/2008 Fjellman D32/22

D582,111 S * 12/2008 Ågren D32/22
D615,717 S * 5/2010 Butts D32/22
D680,286 S * 4/2013 Gray D32/22
D743,124 S * 11/2015 Gray D32/22
D759,920 S * 6/2016 Gray D32/31
D767,222 S * 9/2016 Houghton D32/31

FOREIGN PATENT DOCUMENTS

CN 302842858 S 6/2014
EM 001986001-0001 2/2012
EM 000631007-0002 1/2014
KR 300774948 12/2014

* cited by examiner

Primary Examiner — Ruth McInroy

(74) *Attorney, Agent, or Firm* — McAndrews Held &
Malloy, Ltd.

(57) **CLAIM**

The ornamental design for a vacuum cleaner, as shown and
described.

DESCRIPTION

FIG. 1 is a front perspective view of a vacuum cleaner
showing our new design;
FIG. 2 is a front elevation view thereof;
FIG. 3 is a rear elevation view thereof;
FIG. 4 is a left-side elevation view thereof;
FIG. 5 is a right-side elevation view thereof;
FIG. 6 is a top plan view thereof;
FIG. 7 is a bottom plan view thereof;
FIG. 8 is an exploded bottom perspective view thereof
showing additional unclaimed environment; and,
FIG. 9 an enlarged front perspective view of the portion
encircled in FIG. 1.

The dot-dot-dash lines which encircle portions of the design
and the broken lines which illustrate unclaimed portions of
the vacuum cleaner form no part of the claimed design.

1 Claim, 6 Drawing Sheets

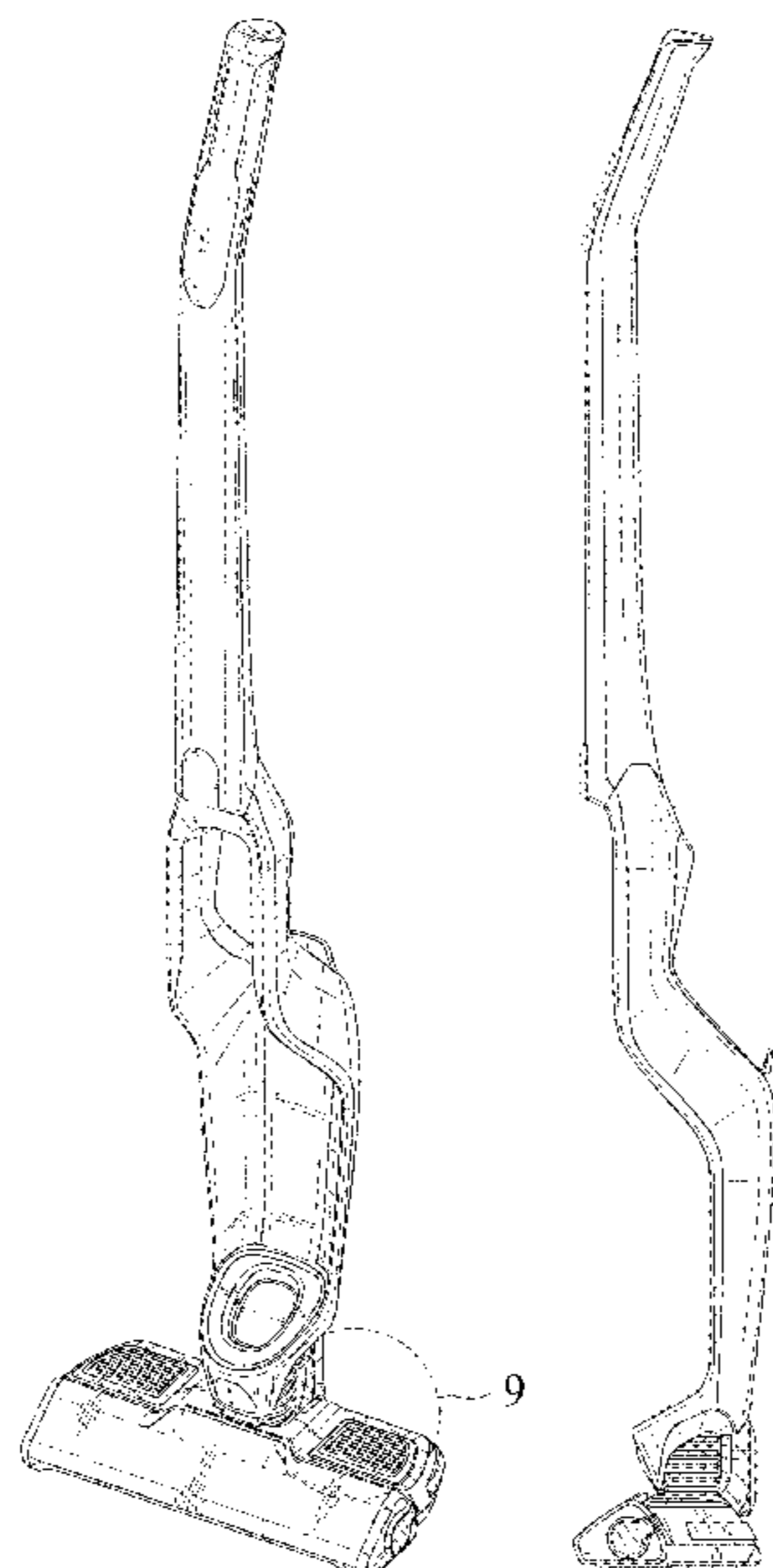


FIG. 1

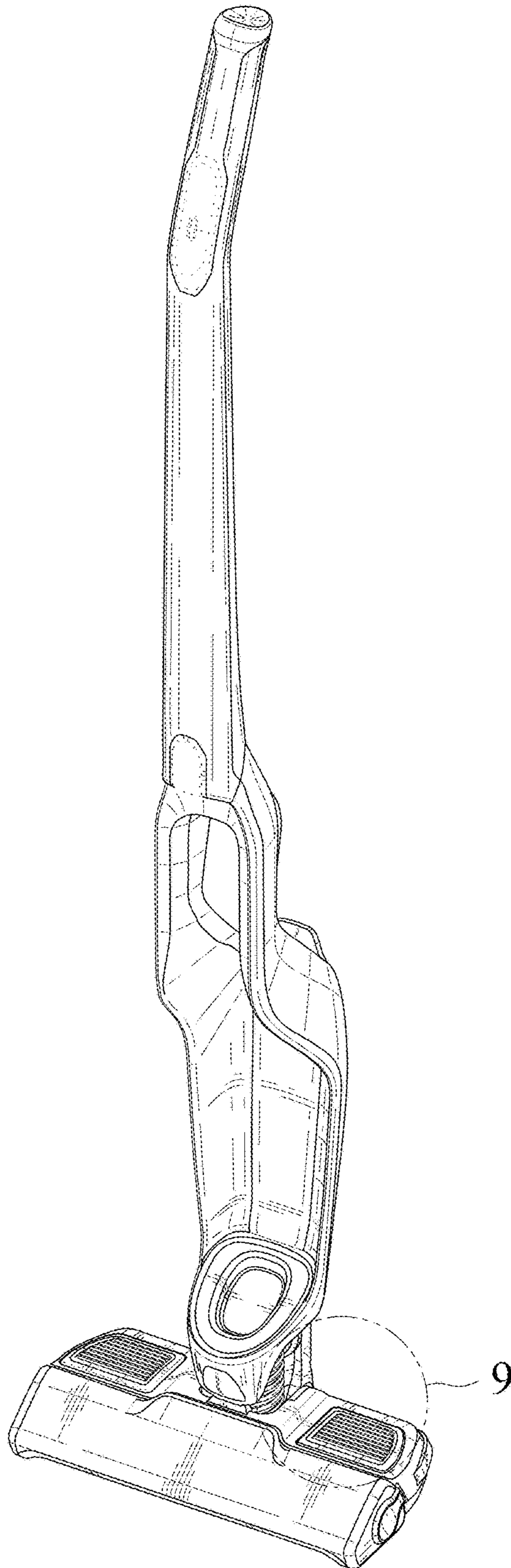


FIG. 2

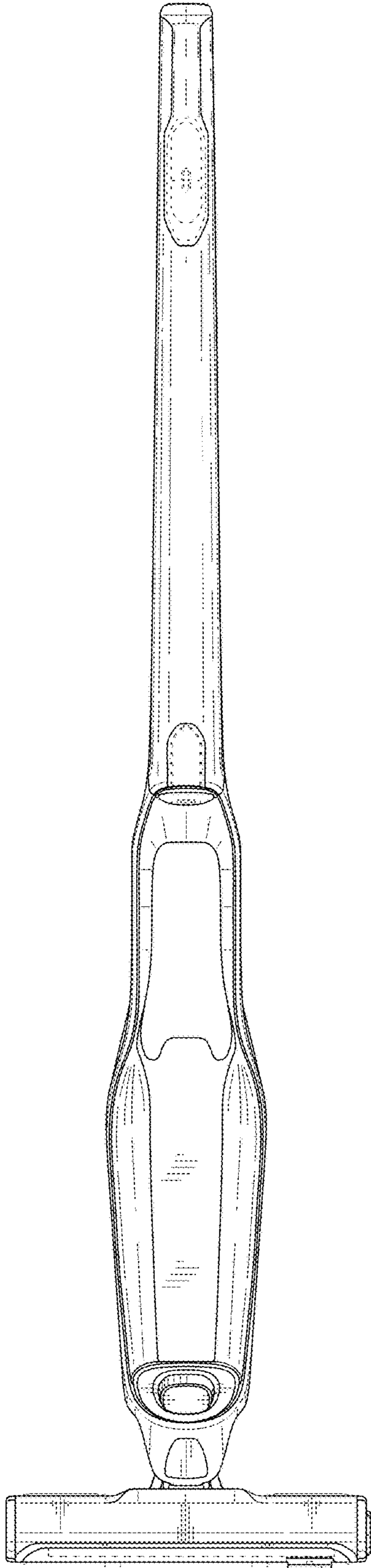


FIG. 3

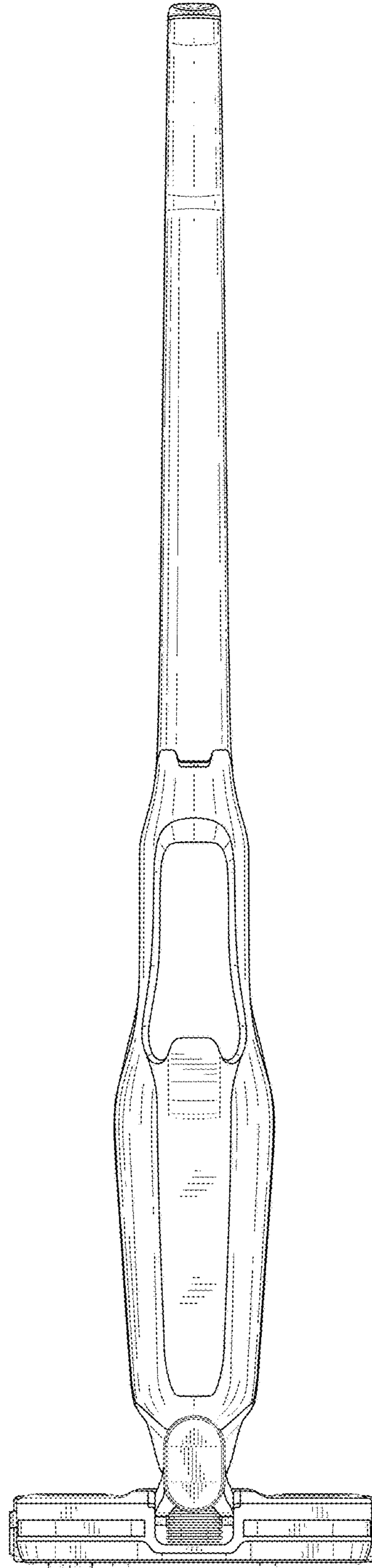


FIG. 4

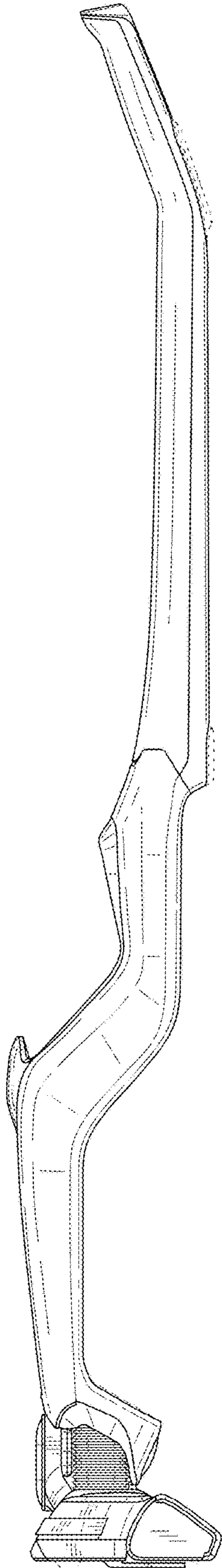


FIG. 5

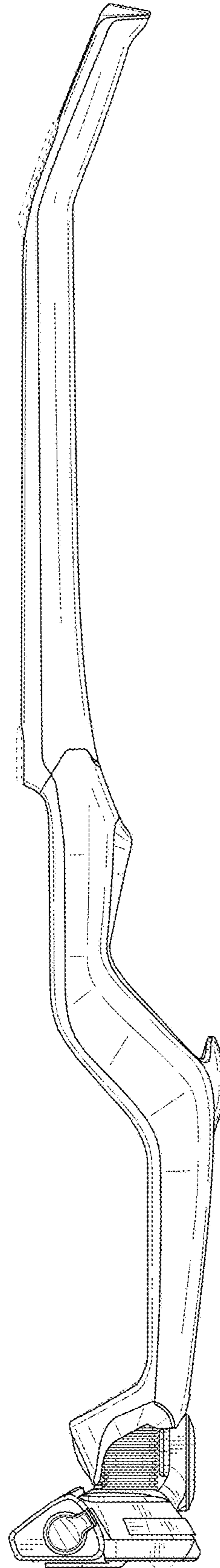


FIG. 6

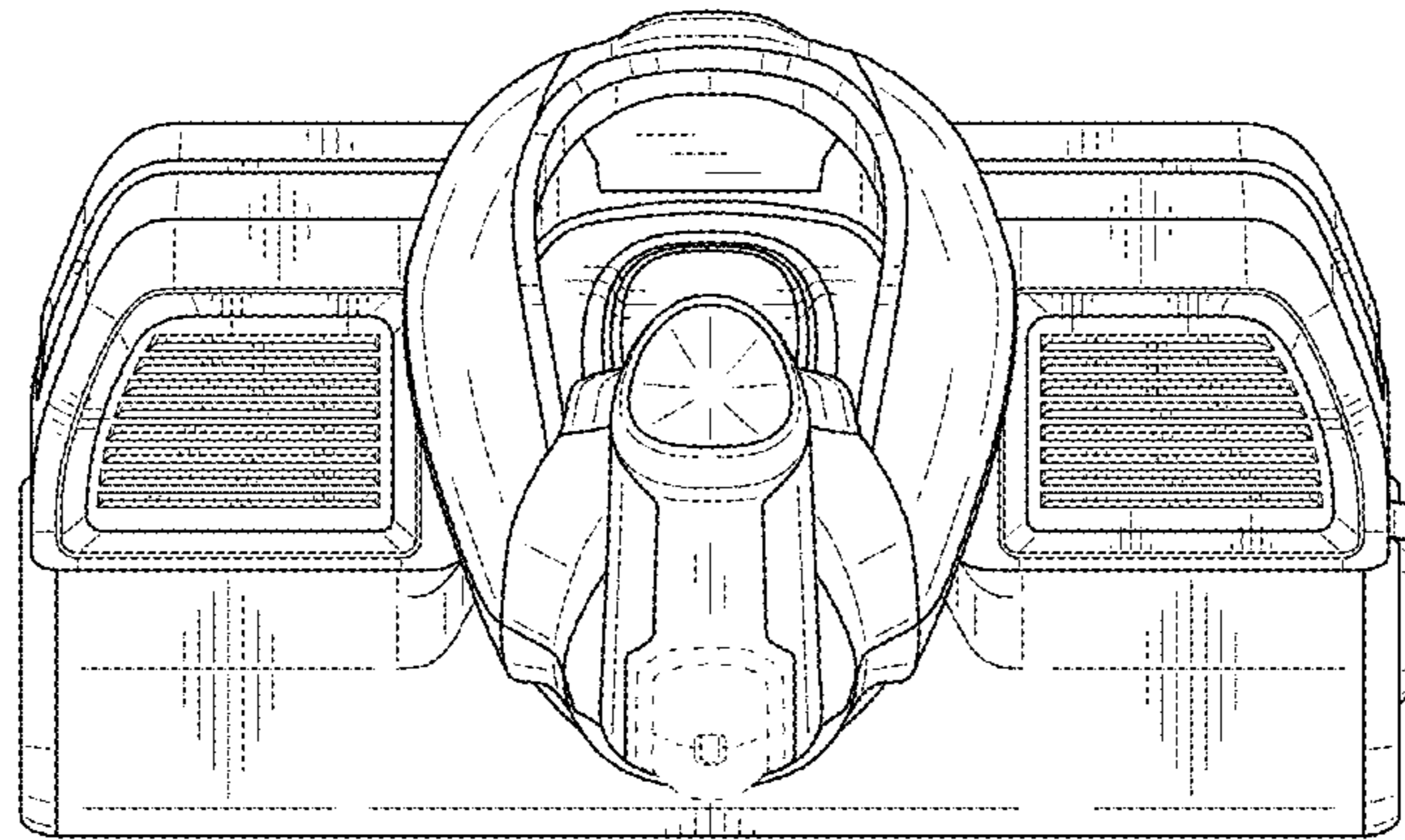


FIG. 7

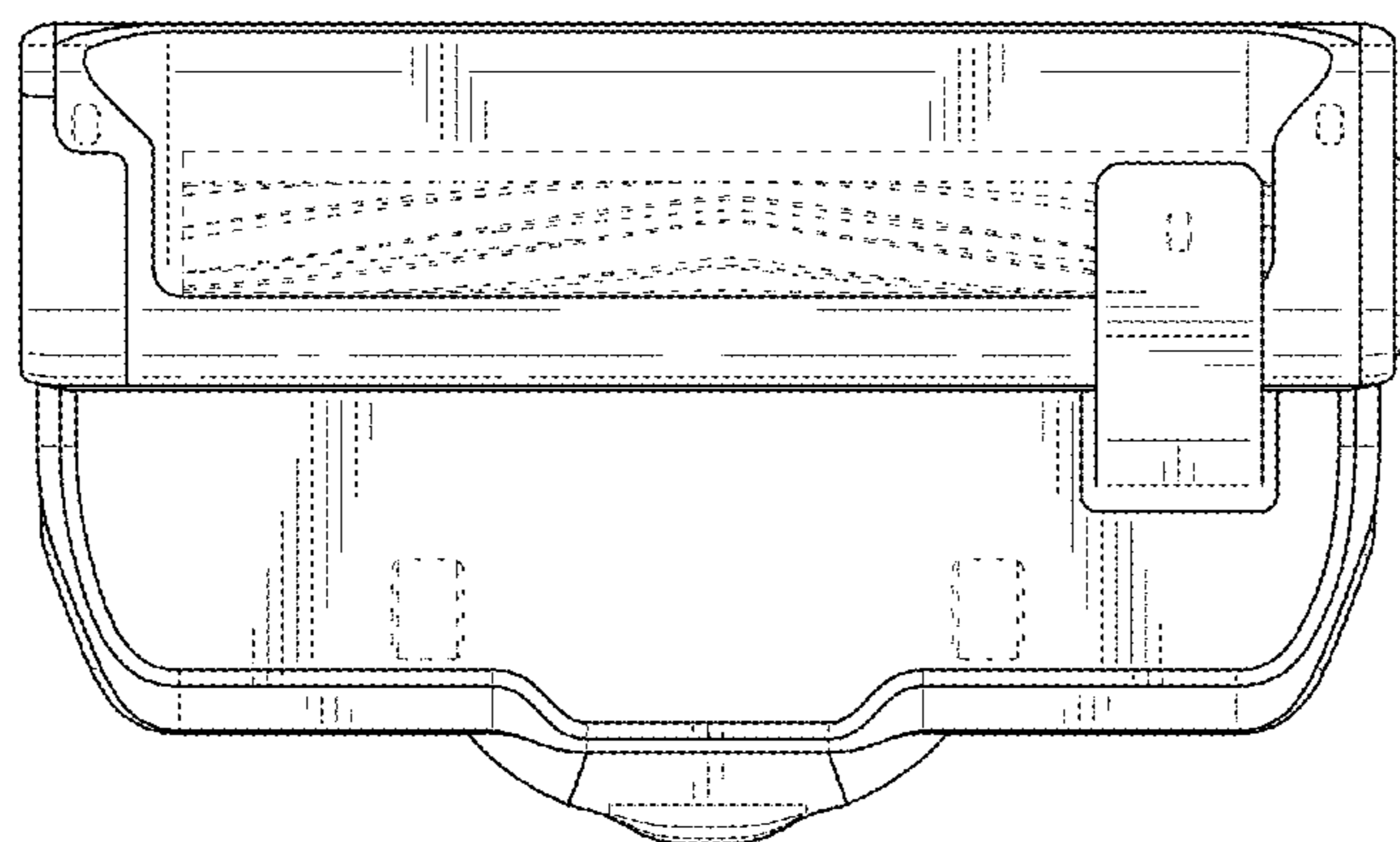


FIG. 8

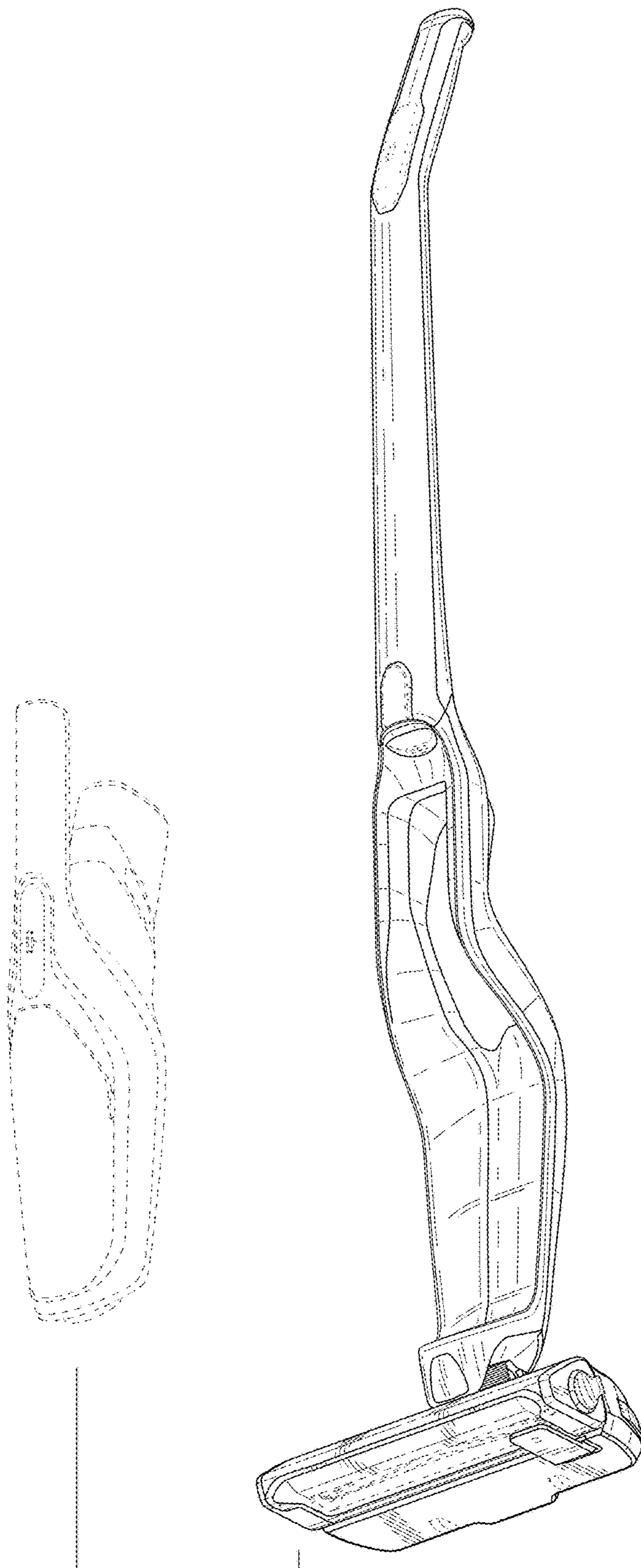


FIG. 9

