



US00D811029S

(12) **United States Design Patent**
Yoon et al.

(10) **Patent No.:** **US D811,029 S**
(45) **Date of Patent:** **** Feb. 20, 2018**

- (54) **DRUM WASHING MACHINE**
- (71) Applicant: **Samsung Electronics Co., Ltd.**,
Suwon-si (KR)
- (72) Inventors: **Sanghun Yoon**, Seoul (KR); **Jaewon Choi**, Seoul (KR)
- (73) Assignee: **SAMSUNG ELECTRONICS CO., LTD.**, Gyeonggi-Do (KR)
- (**) Term: **15 Years**
- (21) Appl. No.: **29/583,832**
- (22) Filed: **Nov. 9, 2016**
- (30) **Foreign Application Priority Data**
May 9, 2016 (KR) 30-2016-0021810
- (51) **LOC (11) Cl.** **15-05**
- (52) **U.S. Cl.**
USPC **D32/29.1**
- (58) **Field of Classification Search**
USPC D32/1, 5, 6, 8, 10, 25, 28, 29.1
CPC D06F 39/022; D06F 39/028; D06F 39/14;
D06F 37/28; D06F 33/02; D06F 58/00;
D06F 58/02
See application file for complete search history.

- D554,307 S * 10/2007 Kim D32/6
- D556,394 S * 11/2007 Kim D32/6
- D571,964 S * 6/2008 Kim D32/6
- D596,813 S 7/2009 Gruetzke et al.
- (Continued)

FOREIGN PATENT DOCUMENTS

- EM 0001626720001 6/2004
- EM 0008277530001 3/2008
- (Continued)

Primary Examiner — Michael A. Pratt
Assistant Examiner — Michelle E Wilson
 (74) *Attorney, Agent, or Firm* — Cantor Colburn LLP

(57) **CLAIM**

The ornamental design for a drum washing machine, as shown and described.

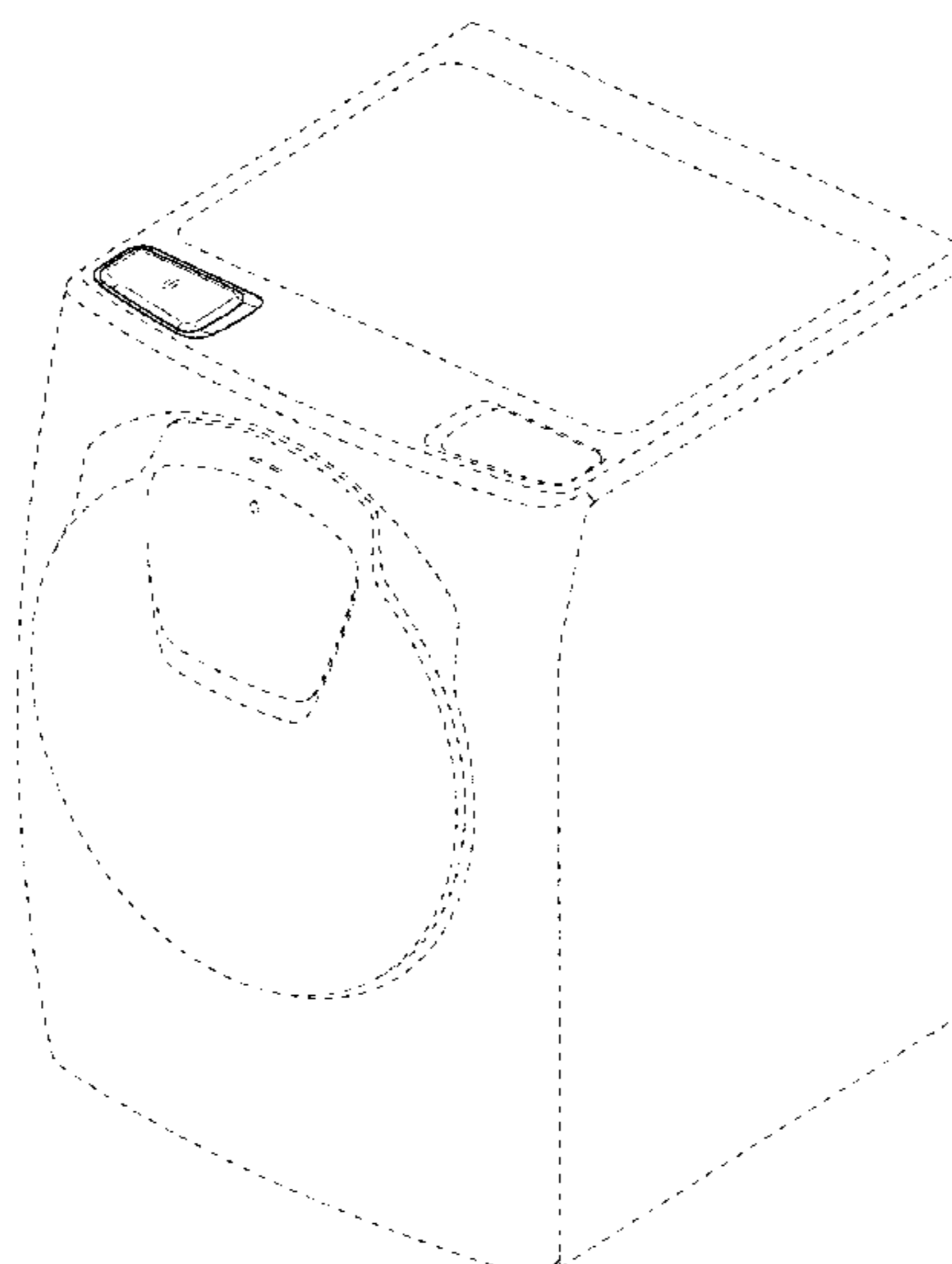
DESCRIPTION

FIG. 1 is a perspective view of a drum washing machine, showing our new design;
 FIG. 2 is a front view thereof;
 FIG. 3 is a rear view thereof;
 FIG. 4 is a side view thereof;
 FIG. 5 is another side view thereof;
 FIG. 6 is a top view thereof;
 FIG. 7 is a bottom view thereof;
 FIG. 8 is a perspective view of a drum washing machine, showing our new design in another configuration;
 FIG. 9 is a front view thereof;
 FIG. 10 is a rear view thereof;
 FIG. 11 is a side view thereof;
 FIG. 12 is another side view thereof;
 FIG. 13 is a top view thereof; and,
 FIG. 14 is a bottom view thereof.
 The broken lines in the figures illustrating portions of the drum washing machine form no part of the claimed design.

1 Claim, 14 Drawing Sheets

(56) **References Cited**
U.S. PATENT DOCUMENTS

- D360,500 S * 7/1995 Millet D32/5
- D380,883 S * 7/1997 Katz D32/25
- D446,891 S * 8/2001 Kim D32/6
- D465,308 S * 11/2002 Resuello D32/6
- D491,324 S * 6/2004 Kim D32/6
- D492,073 S * 6/2004 Sneddon D32/6
- D527,853 S * 9/2006 Carey D32/6
- D532,941 S * 11/2006 Carey D32/6
- D536,144 S * 1/2007 Seo D32/6
- D542,487 S * 5/2007 Jun D32/6



(56)

References Cited

U.S. PATENT DOCUMENTS

D630,807 S * 1/2011 Song D32/6
D658,343 S * 4/2012 Jeon D32/29.1
D663,907 S * 7/2012 Jeon D32/6
D697,681 S * 1/2014 Chung D32/29.1
D699,409 S * 2/2014 Cho D32/29.1
D764,120 S * 8/2016 Choi D32/6
D772,509 S * 11/2016 Ha D32/29.1
D773,756 S * 12/2016 Hwang D32/6
D781,007 S * 3/2017 Jang D32/6
D793,634 S * 8/2017 Jang D32/6
D794,879 S * 8/2017 Kang D32/6

FOREIGN PATENT DOCUMENTS

JP D1348455 S 1/2009
JP D1426170 S 10/2011
JP D1527702 S 6/2015

* cited by examiner

FIG. 1

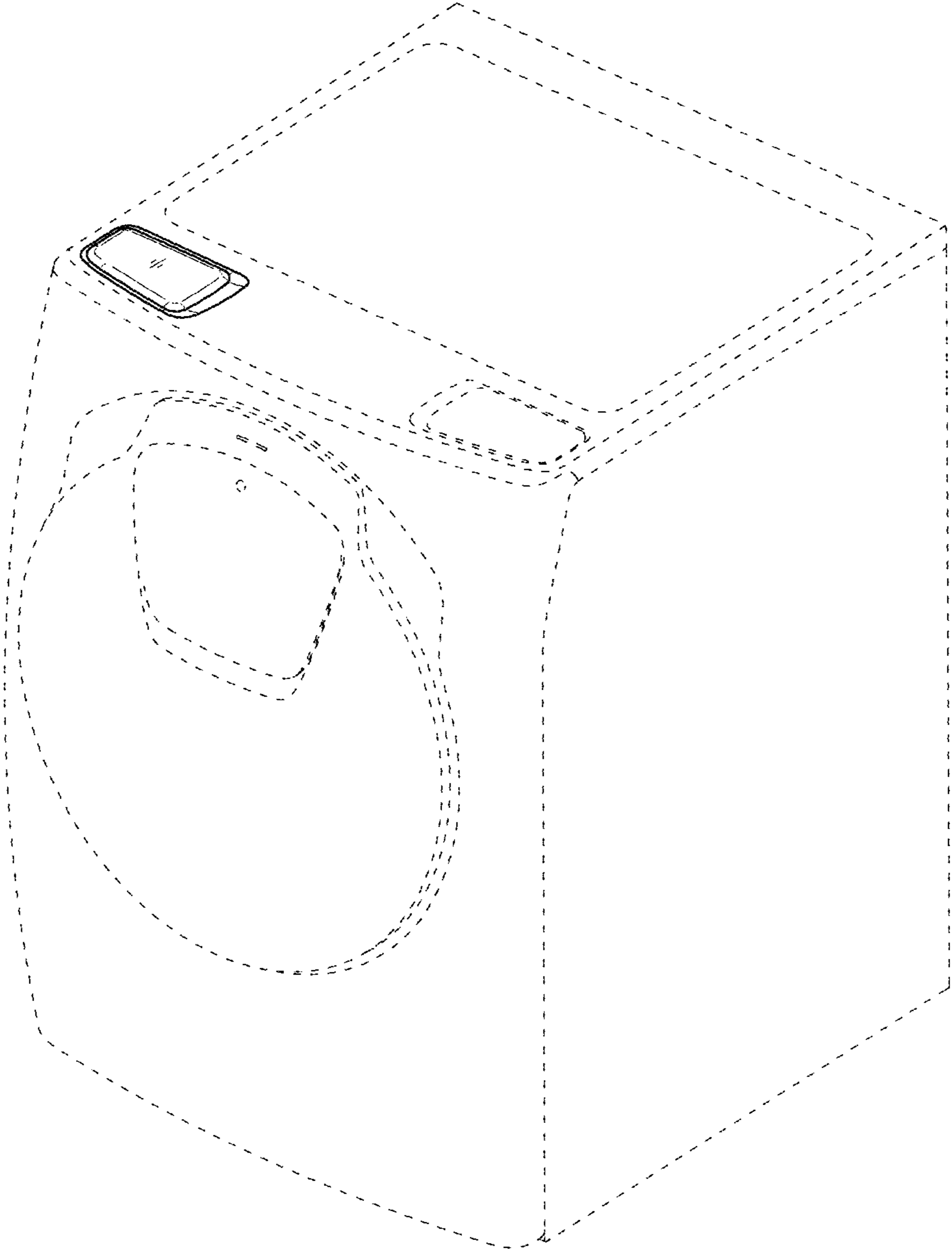


FIG. 2

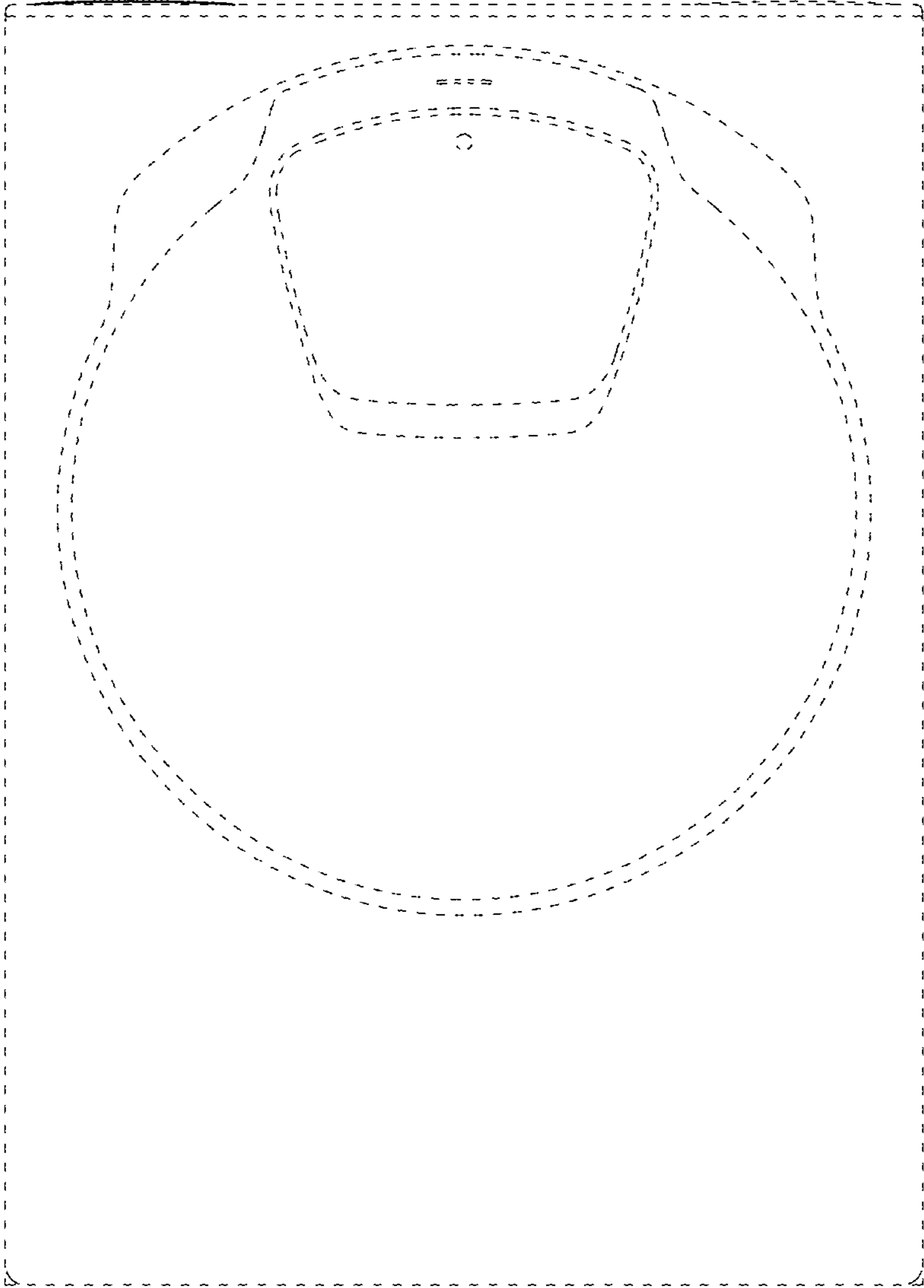


FIG. 3



FIG. 4

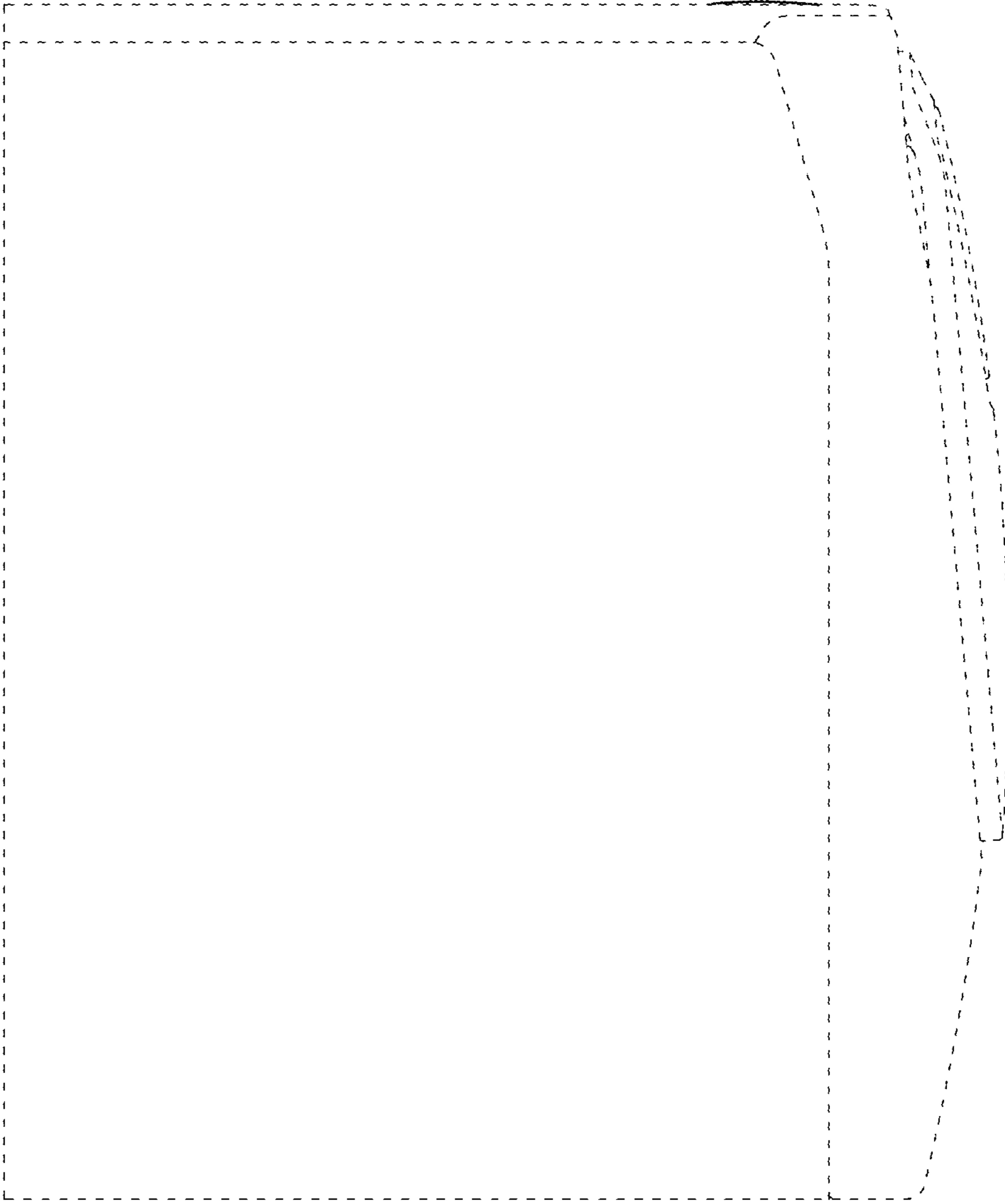


FIG. 5

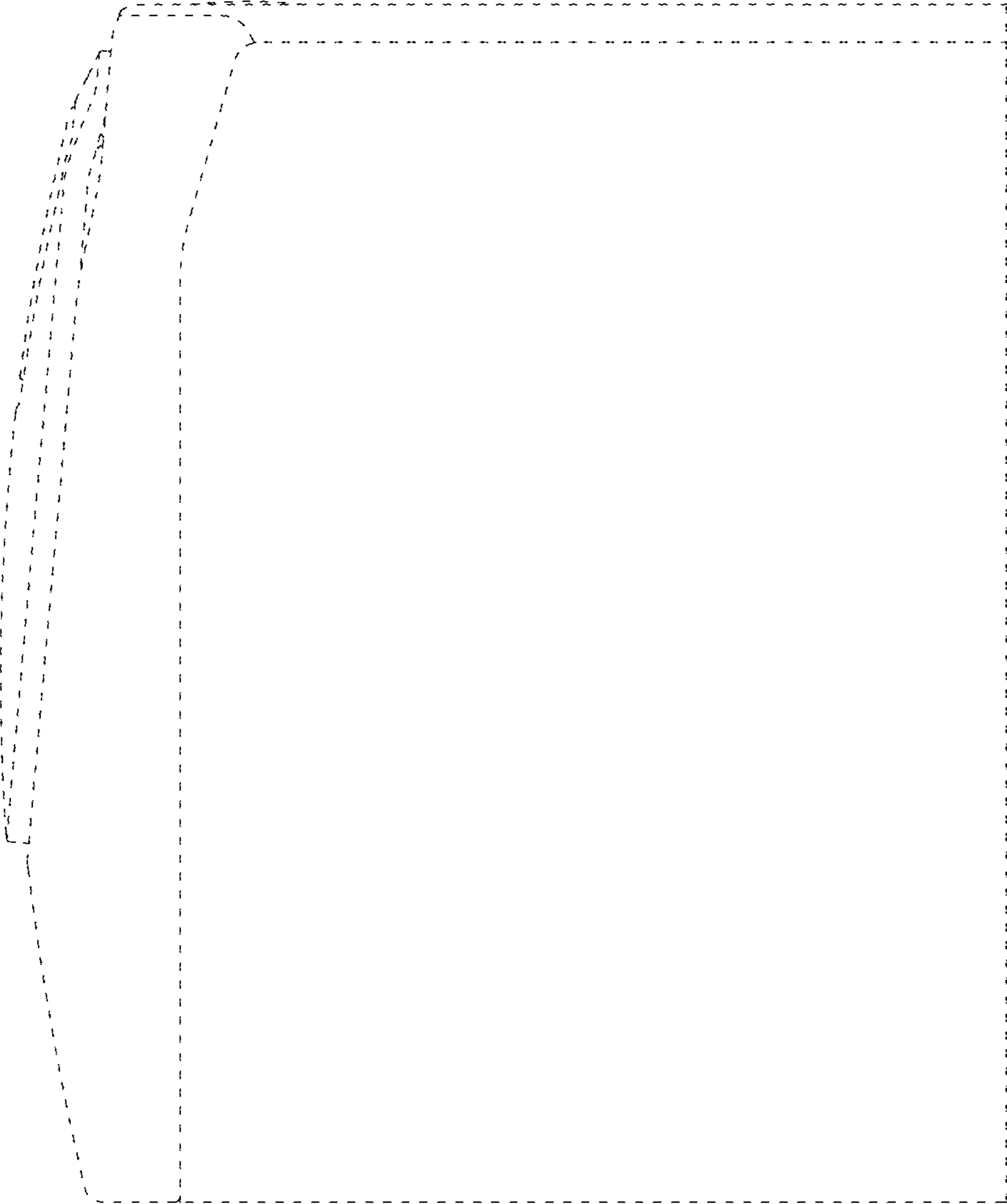


FIG. 6

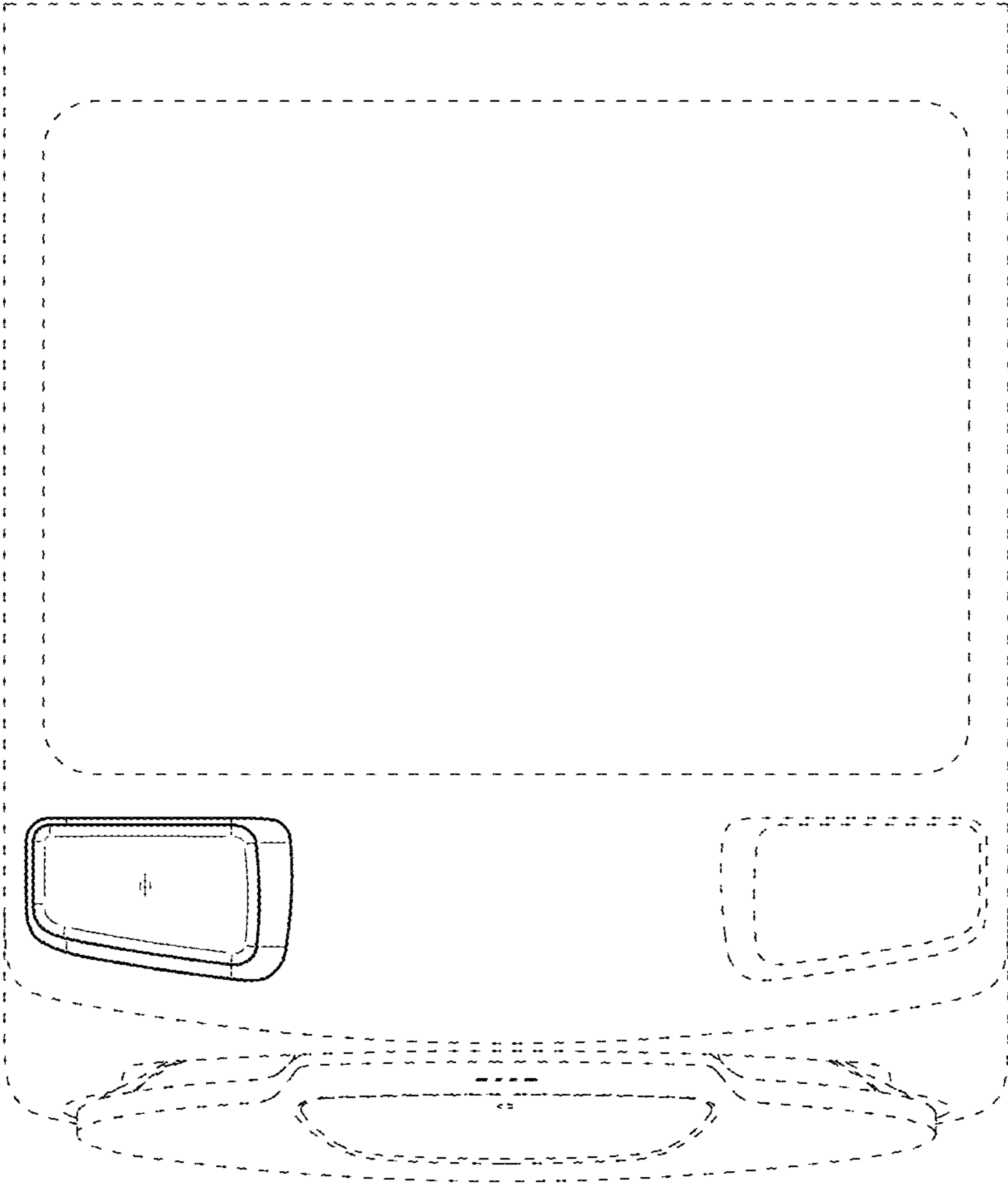


FIG. 7

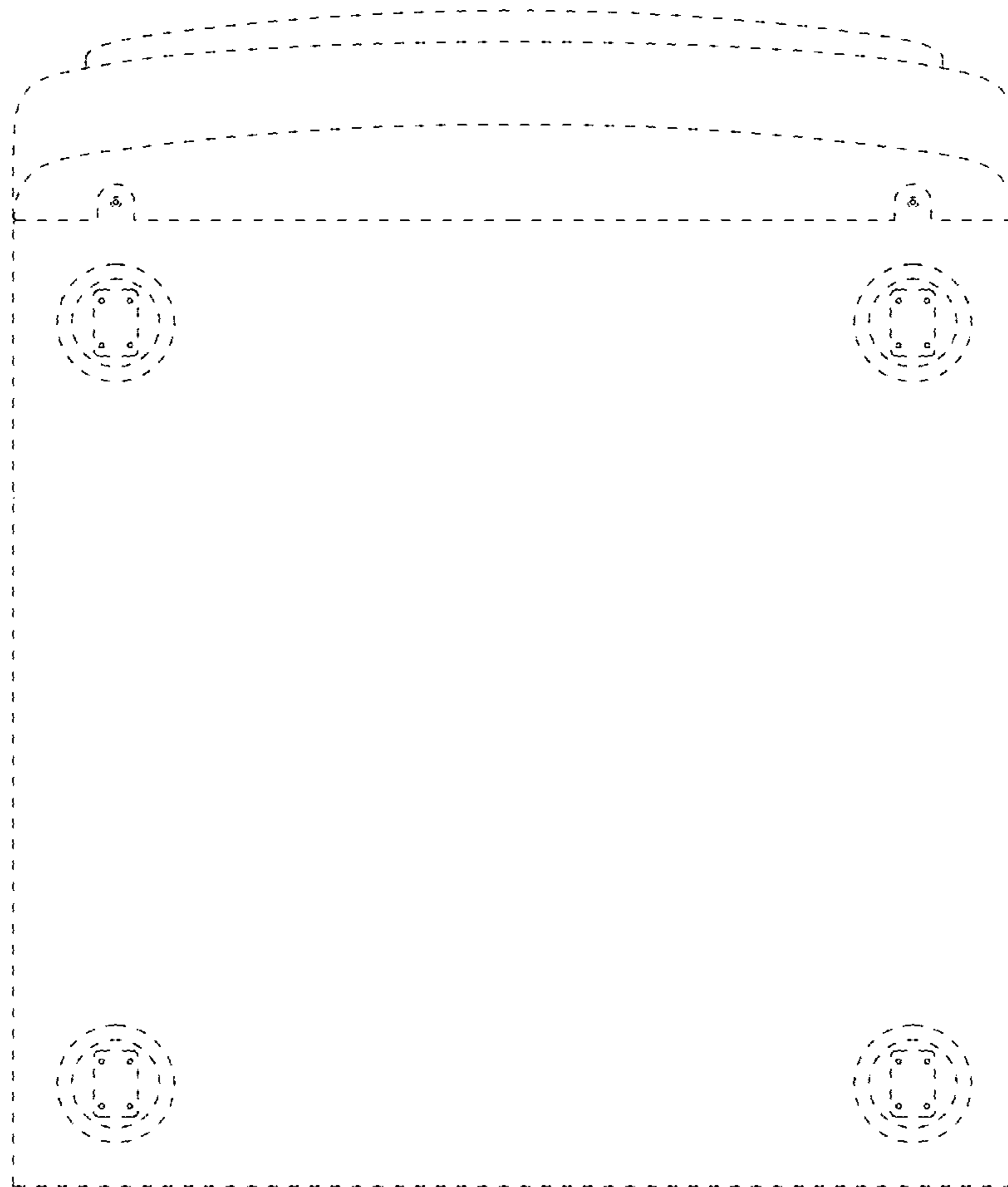


FIG. 8

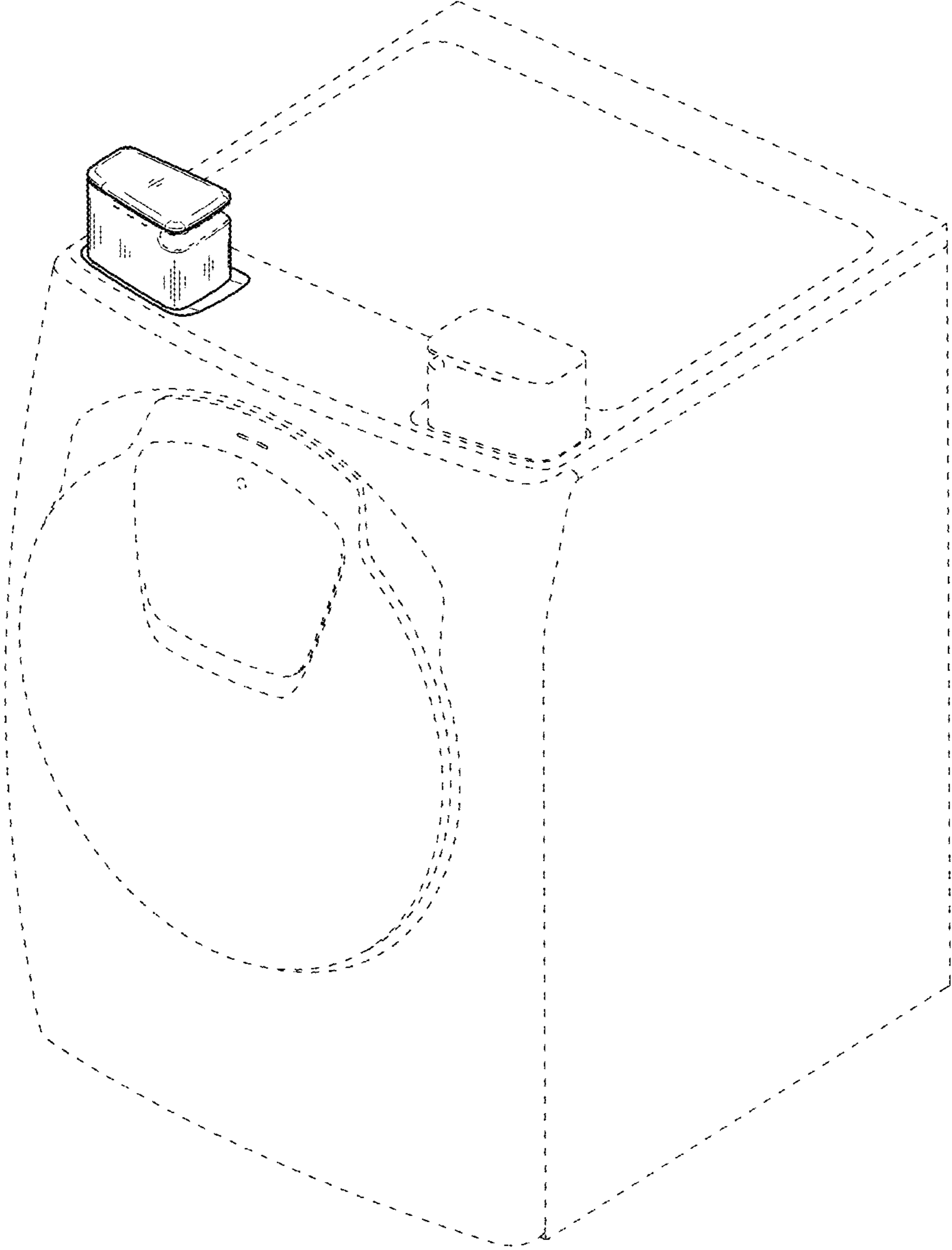


FIG. 9

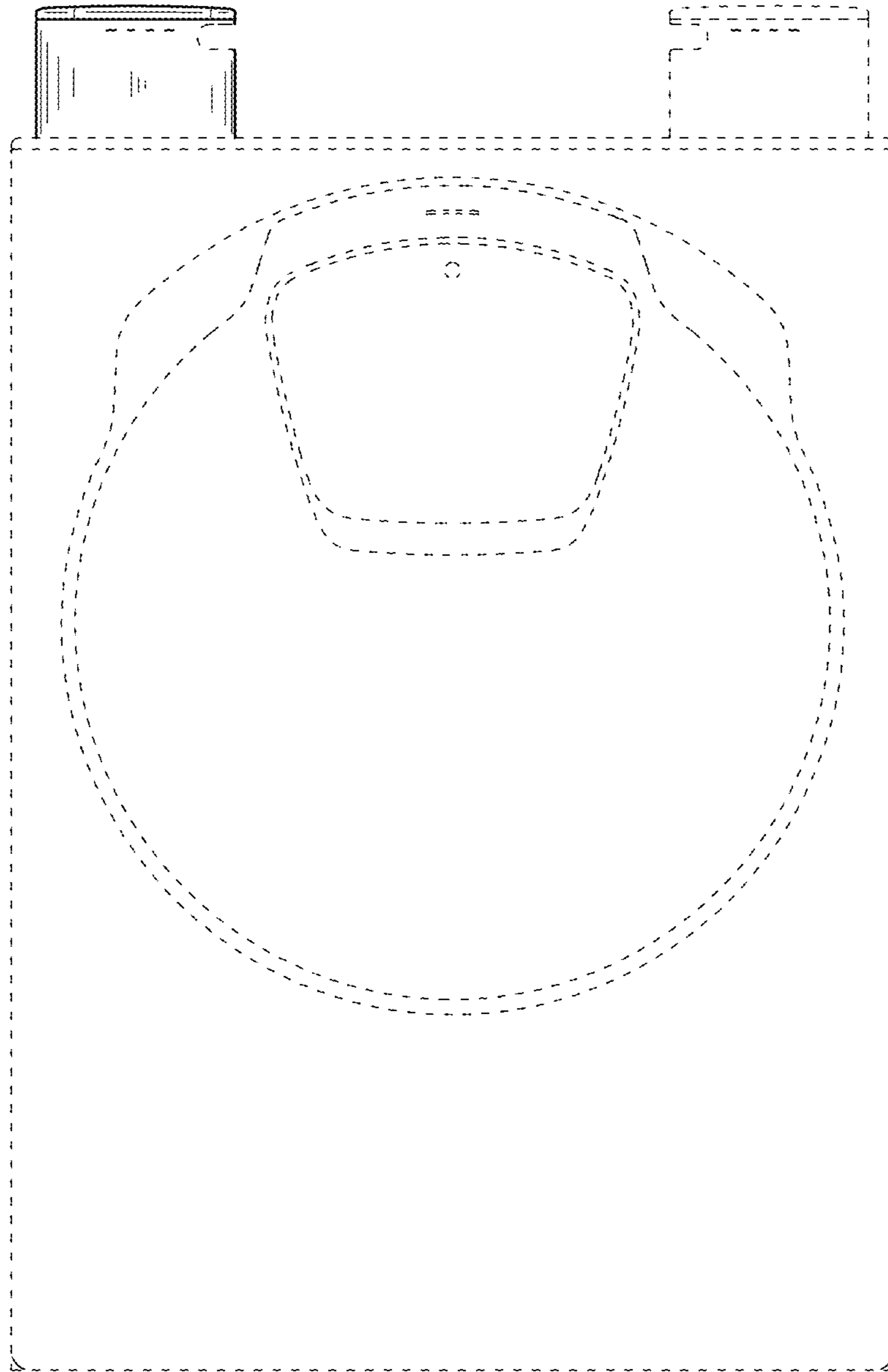


FIG. 10



FIG. 11

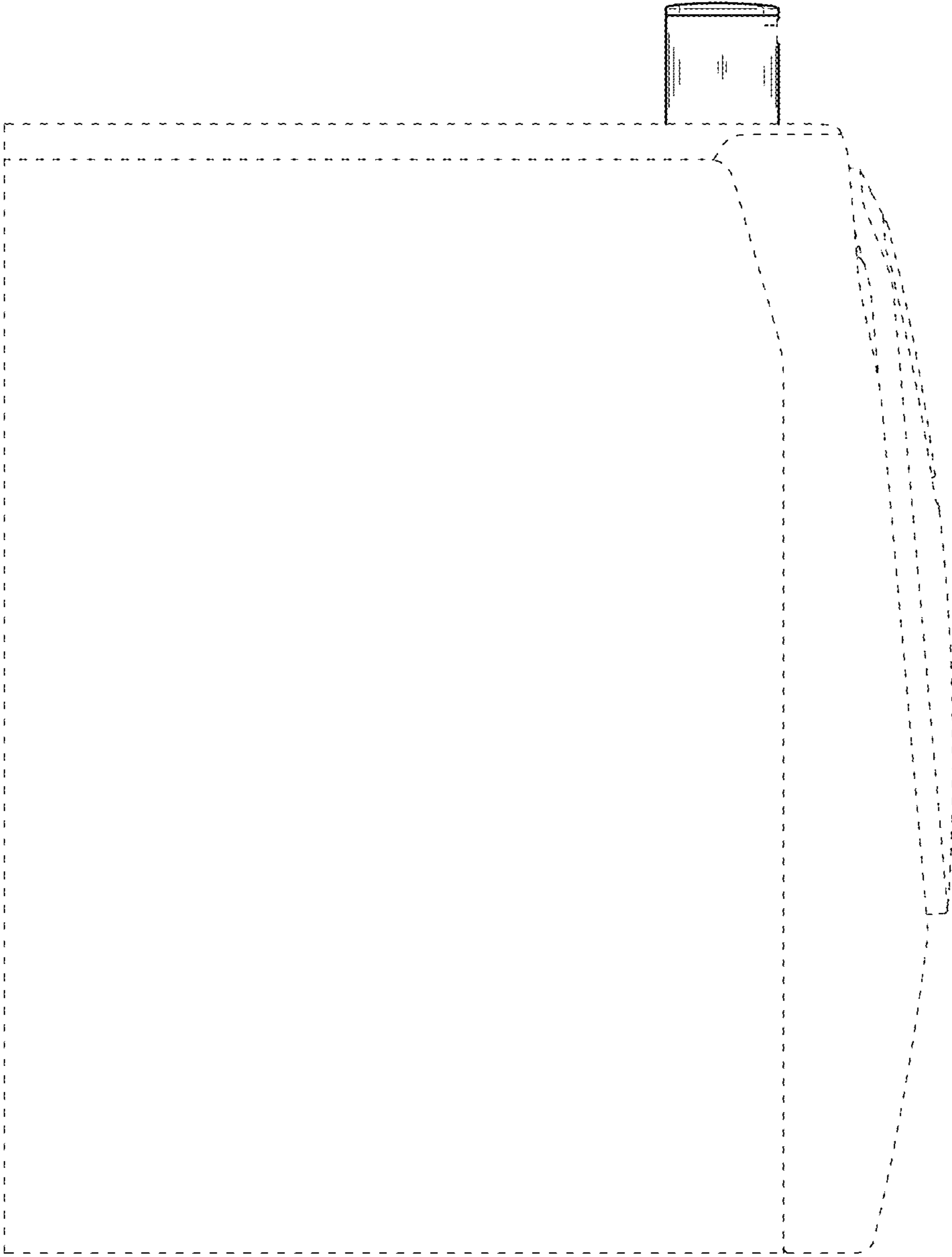


FIG. 12

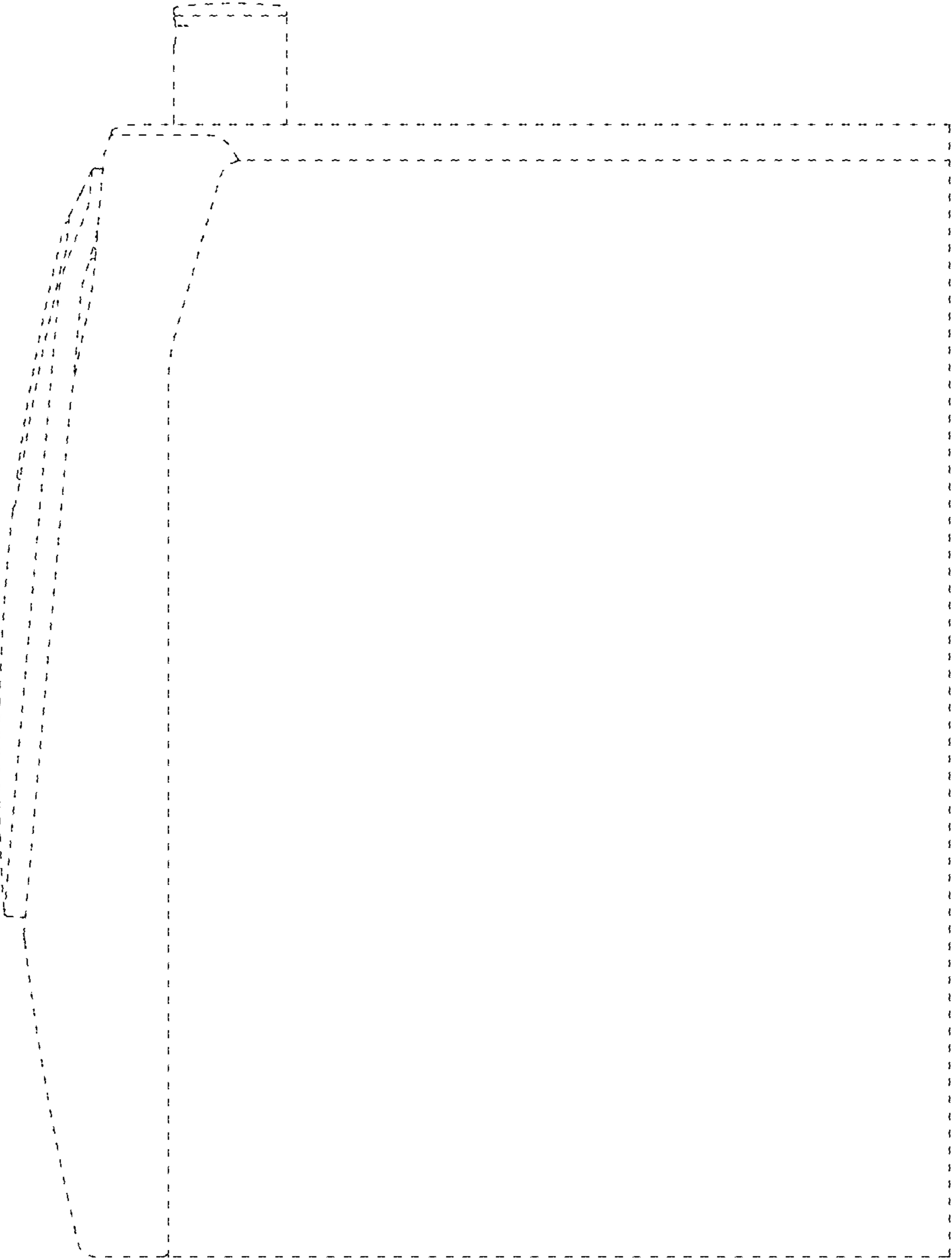


FIG. 13

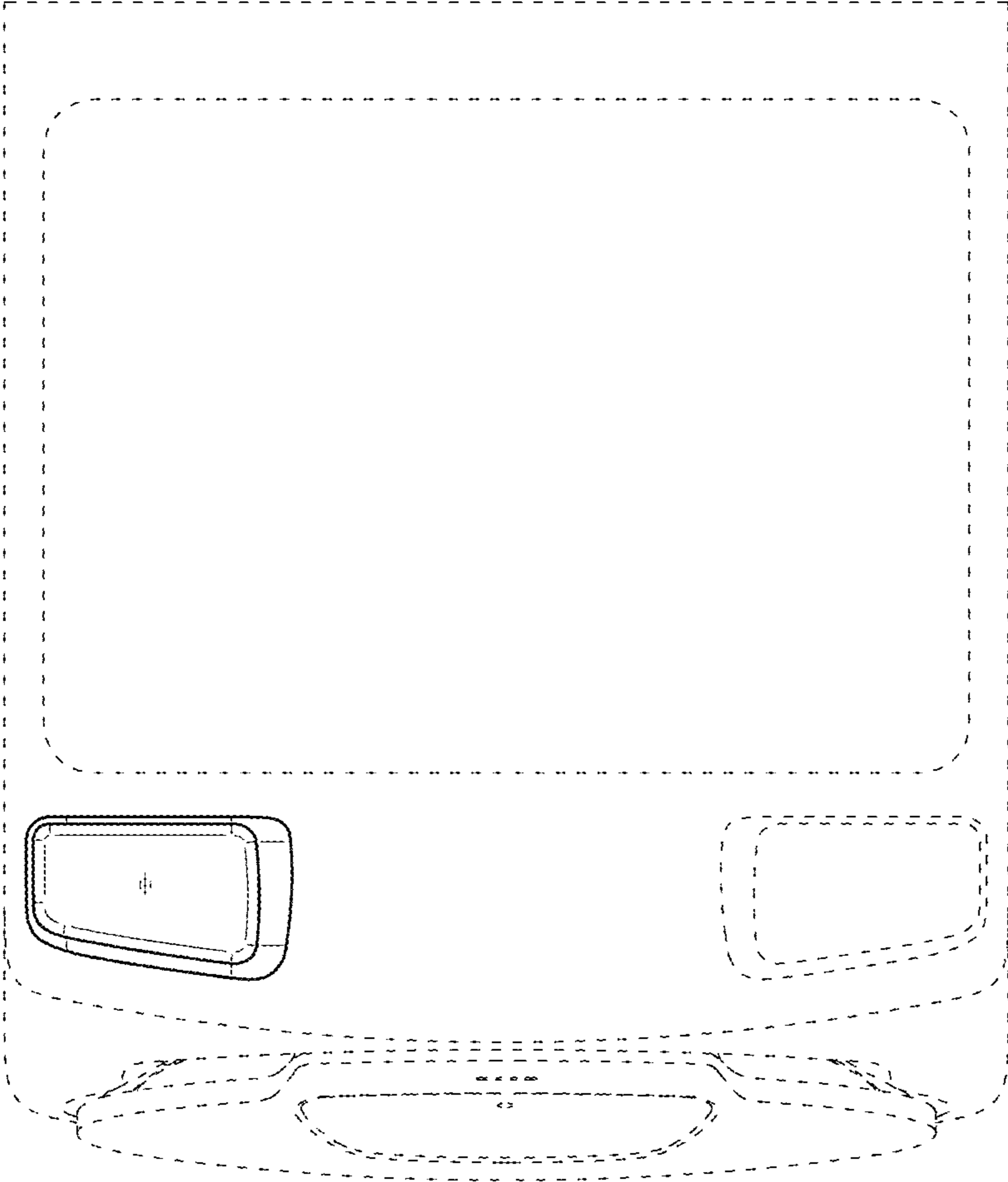


FIG. 14

