



US00D811028S

(12) **United States Design Patent** (10) **Patent No.:** **US D811,028 S**
Ha et al. (45) **Date of Patent:** **** *Feb. 20, 2018**

(54) **PEDESTAL WASHING MACHINE**

37/02; D06F 37/0812; D06F 37/145;
D06F 39/125

See application file for complete search history.

(71) Applicant: **LG ELECTRONICS INC.**, Seoul
(KR)

(56) **References Cited**

(72) Inventors: **Youngsoo Ha**, Seoul (KR); **Taewoo Yoo**, Seoul (KR); **Eunyoung Chee**, Seoul (KR); **Jeaseok Seong**, Seoul (KR)

U.S. PATENT DOCUMENTS

D474,566 S * 5/2003 Baldwin D32/25
D483,206 S * 12/2003 Schweikarth D6/705.5
D504,259 S * 4/2005 Arceta D6/705.5
D521,702 S * 5/2006 No D32/25
D549,408 S * 8/2007 Lee D32/25

(Continued)

(73) Assignee: **LG Electronics Inc.**, Seoul (KR)

Primary Examiner — Darlington Ly

(*) Notice: This patent is subject to a terminal disclaimer.

(74) *Attorney, Agent, or Firm* — Birch, Stewart, Kolasch & Birch, LLP

(**) Term: **15 Years**

(57) **CLAIM**

The ornamental design for a pedestal washing machine, as shown and described.

(21) Appl. No.: **35/501,430**

DESCRIPTION

(22) Filed: **Feb. 23, 2016**

(80) **Hague Agreement Data**

Int. Filing Date: **Feb. 23, 2016**

Int. Reg. No.: **DM/089842**

Int. Reg. Date: **Feb. 23, 2016**

Int. Reg. Pub. Date: **Aug. 26, 2016**

(30) **Foreign Application Priority Data**

Sep. 3, 2015 (KR) 30-2015-0044482

(51) **LOC (11) Cl.** **15-05**

(52) **U.S. Cl.**
USPC **D32/25**

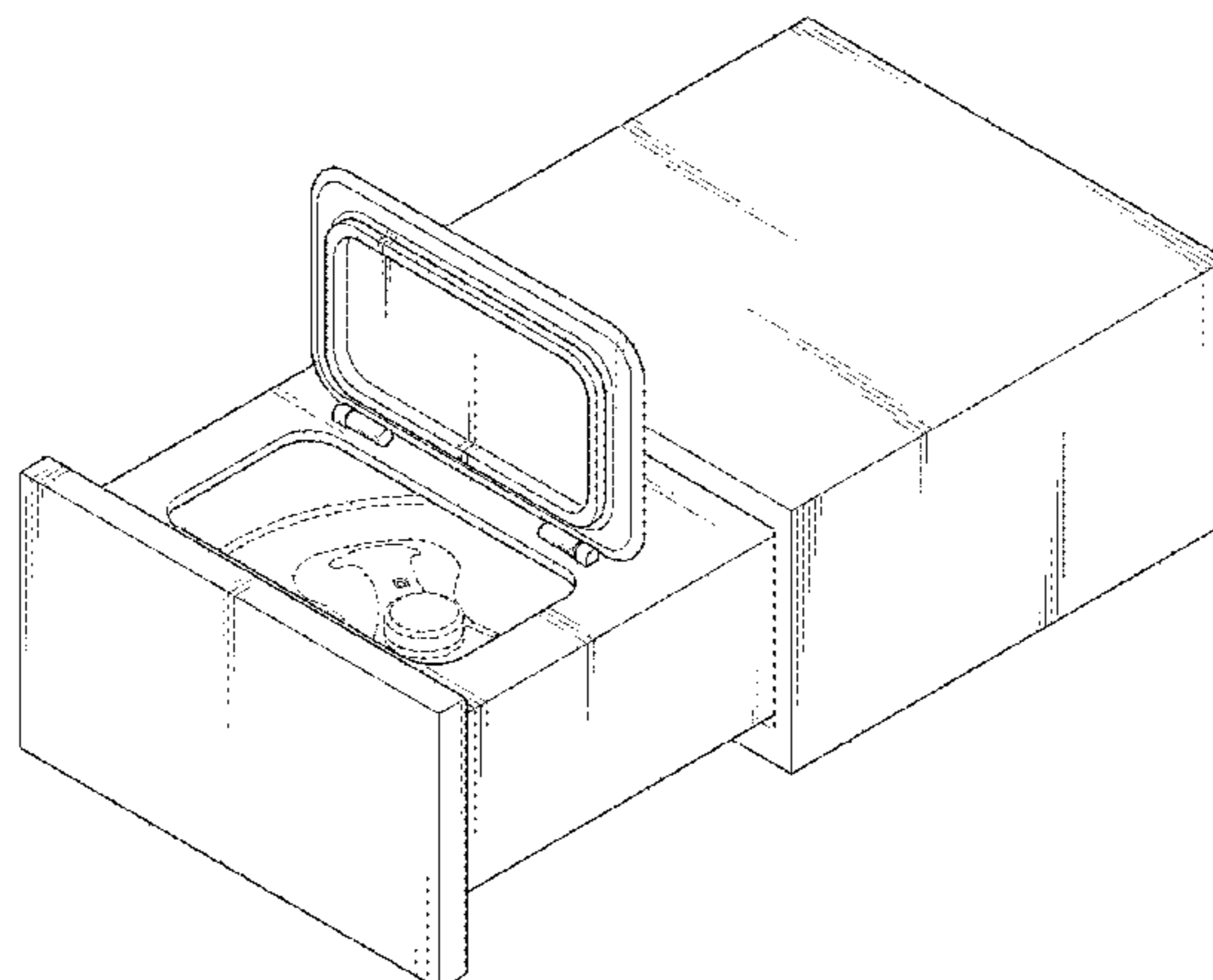
(58) **Field of Classification Search**

USPC D32/1, 5, 6, 8, 10, 11, 25, 29

CPC . B08B 3/12; D06F 17/04; D06F 31/00; D06F

1. Pedestal washing machine
1.1 is a top, front, and right-side perspective view of a pedestal washing machine showing our new design;
1.2 is a front elevation view thereof;
1.3 is a rear elevation view thereof;
1.4 is a left-side elevation view thereof;
1.5 is a right-side elevation view thereof;
1.6 is a top plan view thereof;
1.7 is a bottom plan view thereof;
1.8 is a top, front, and right-side perspective view thereof, wherein the lid is in an opened position;
1.9 is a front elevation view thereof, wherein the lid is in an opened position;
1.10 is a right-side elevation view thereof, wherein the lid is in an opened position;
1.11 is a top plan view thereof, wherein the lid is in an opened position; and
1.12 is a top, front, and right-side perspective view thereof, wherein a separate washing machine appliance is shown sitting atop the pedestal washing machine.

(Continued)



The broken lines shown in 1.8 and 1.11 illustrate portions of the pedestal washing machine that form no part of the claimed design.

The broken lines showing a second washing machine appliance in 1.12 are provided for the purpose of illustrating environmental structure and form no part of the claimed design.

1 Claim, 12 Drawing Sheets

(56)

References Cited

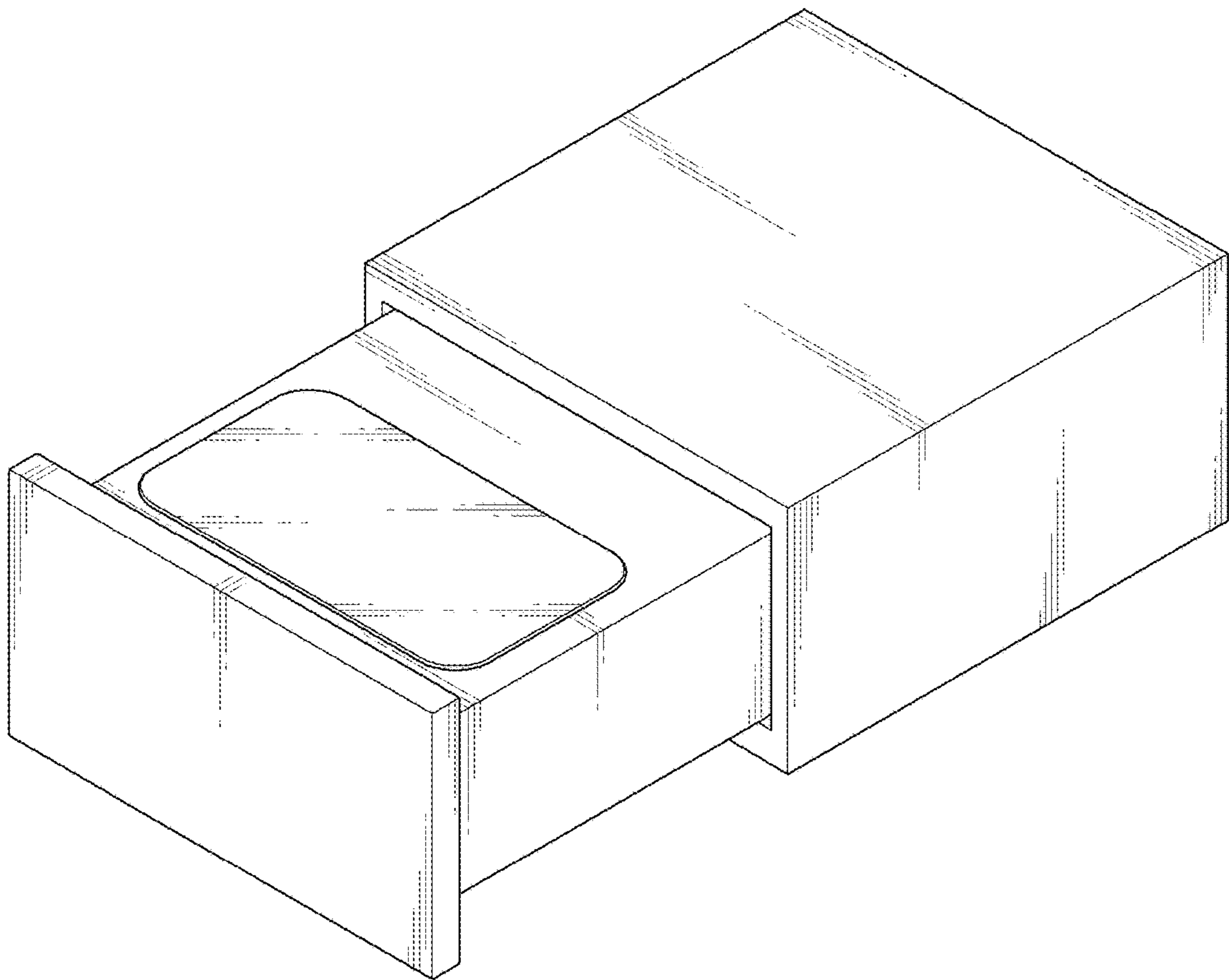
U.S. PATENT DOCUMENTS

D587,048 S * 2/2009 Hand D6/705.5
 D589,718 S * 4/2009 Hand D3/297
 D606,267 S * 12/2009 Shor D32/6
 D613,972 S * 4/2010 Hand D3/297
 D617,965 S * 6/2010 Grutzke D32/25
 D620,211 S * 7/2010 Shail D32/25
 D629,168 S * 12/2010 Park D32/25
 D633,670 S * 3/2011 Grutzke D32/25
 7,921,679 B2 * 4/2011 Jo D06F 39/125
 248/346.01
 D645,623 S * 9/2011 Helot D32/25

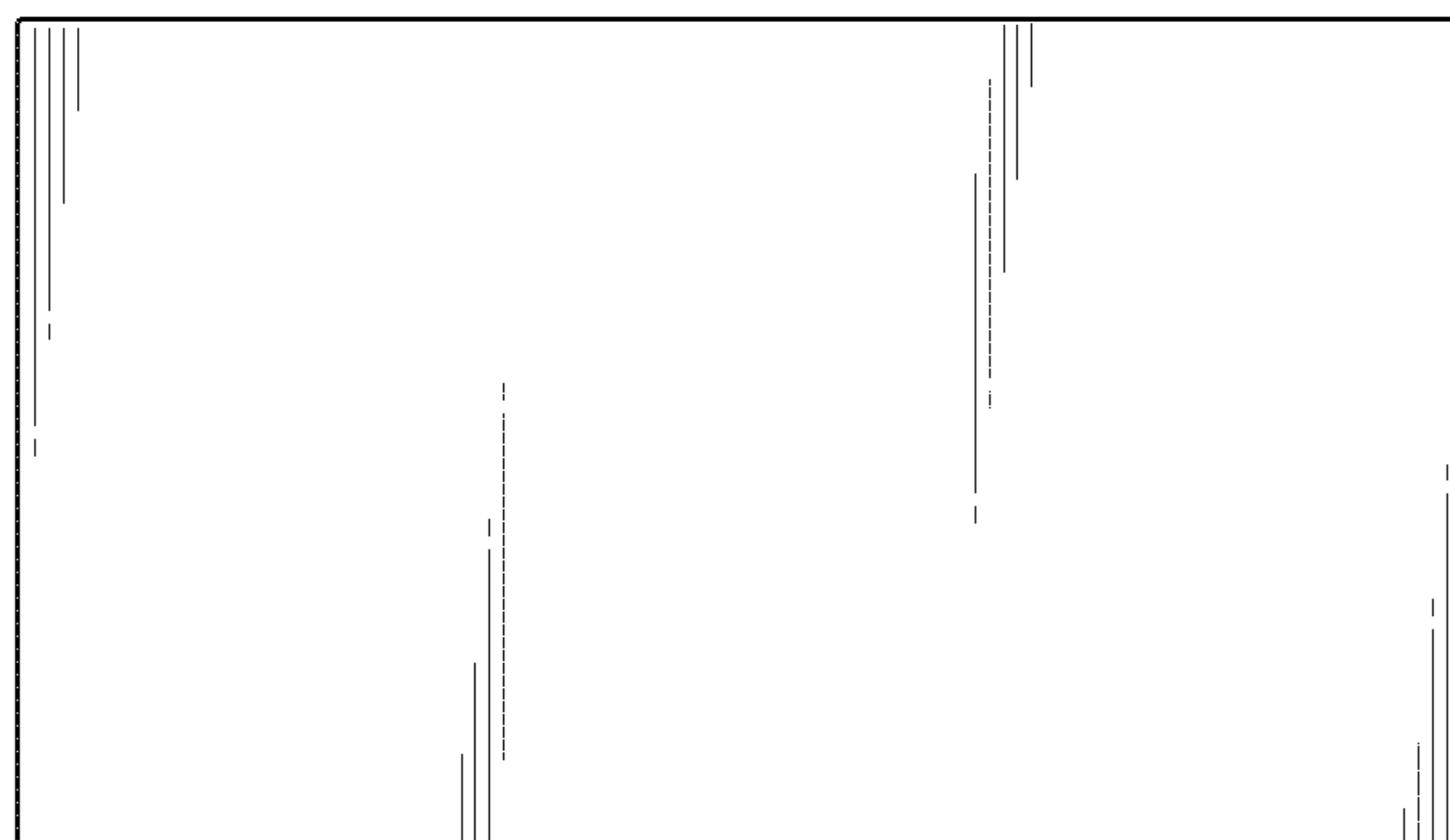
8,215,136 B2 * 7/2012 Kim D06F 17/04
 68/11
 D665,544 S * 8/2012 Jeon D32/6
 D667,179 S * 9/2012 Jeon D32/6
 8,341,981 B2 * 1/2013 Kim D06F 39/125
 312/228
 8,561,438 B2 * 10/2013 Jeong D06F 31/00
 68/13 R
 D701,657 S * 3/2014 Chung D32/6
 D701,658 S * 3/2014 Chung D32/6
 D704,909 S * 5/2014 Jeon, II D32/25
 D728,870 S * 5/2015 Borjesson D32/3
 D732,777 S * 6/2015 Ha D32/28
 D759,911 S * 6/2016 Chung D32/6
 D767,837 S * 9/2016 Chee D32/25
 9,447,841 B2 * 9/2016 Kim F16F 15/08
 D784,637 S * 4/2017 Kim D32/25
 D792,035 S * 7/2017 Chung D32/6
 D794,265 S * 8/2017 Chung D32/6
 2007/0151120 A1 * 7/2007 Tomasi D06F 29/00
 34/601
 2009/0145174 A1 * 6/2009 Kim D06F 23/02
 68/27
 2009/0145175 A1 * 6/2009 Kim D06F 29/005
 68/27
 2009/0145177 A1 * 6/2009 Kim D06F 39/125
 68/13 R

* cited by examiner

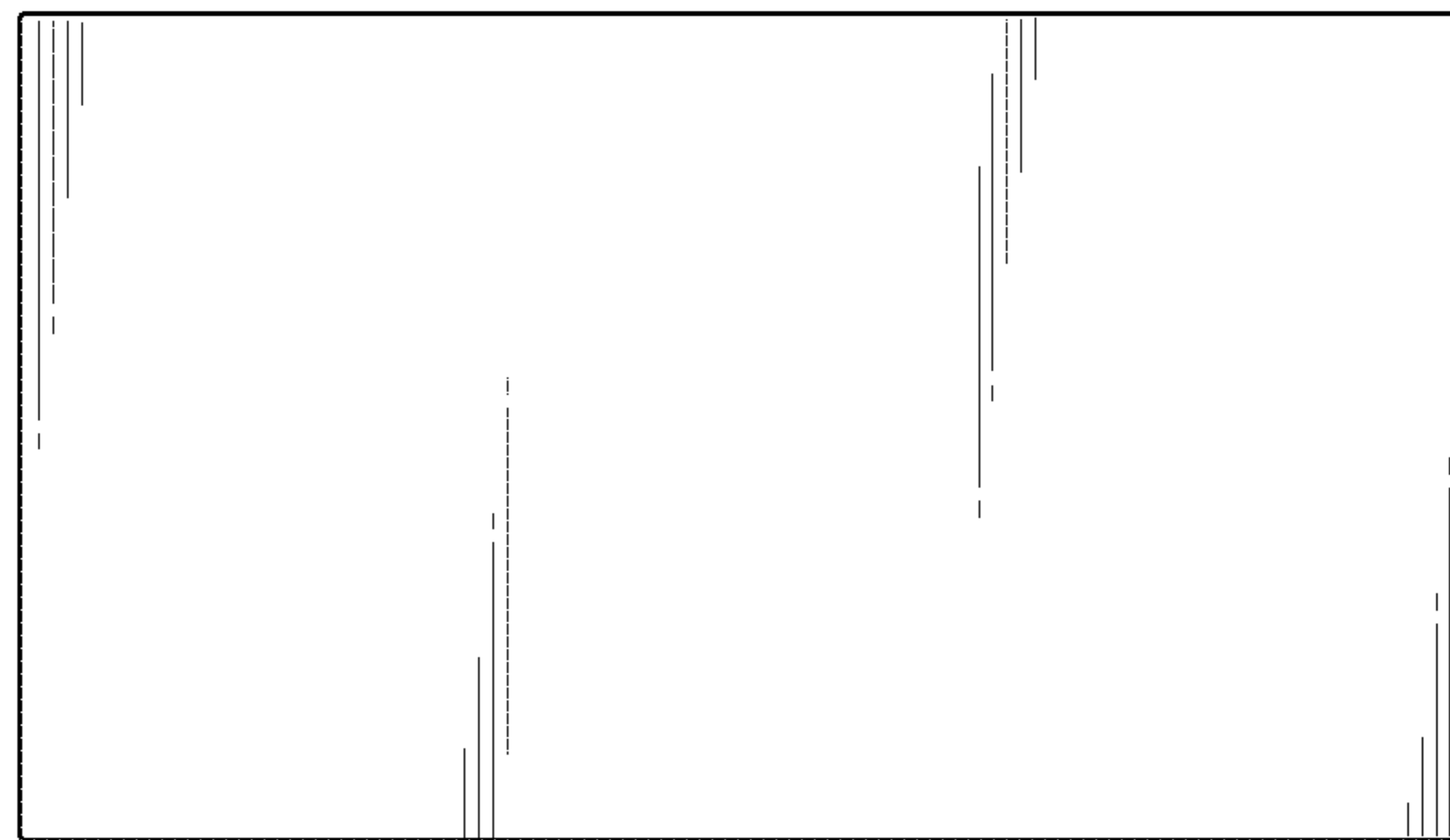
1. 1



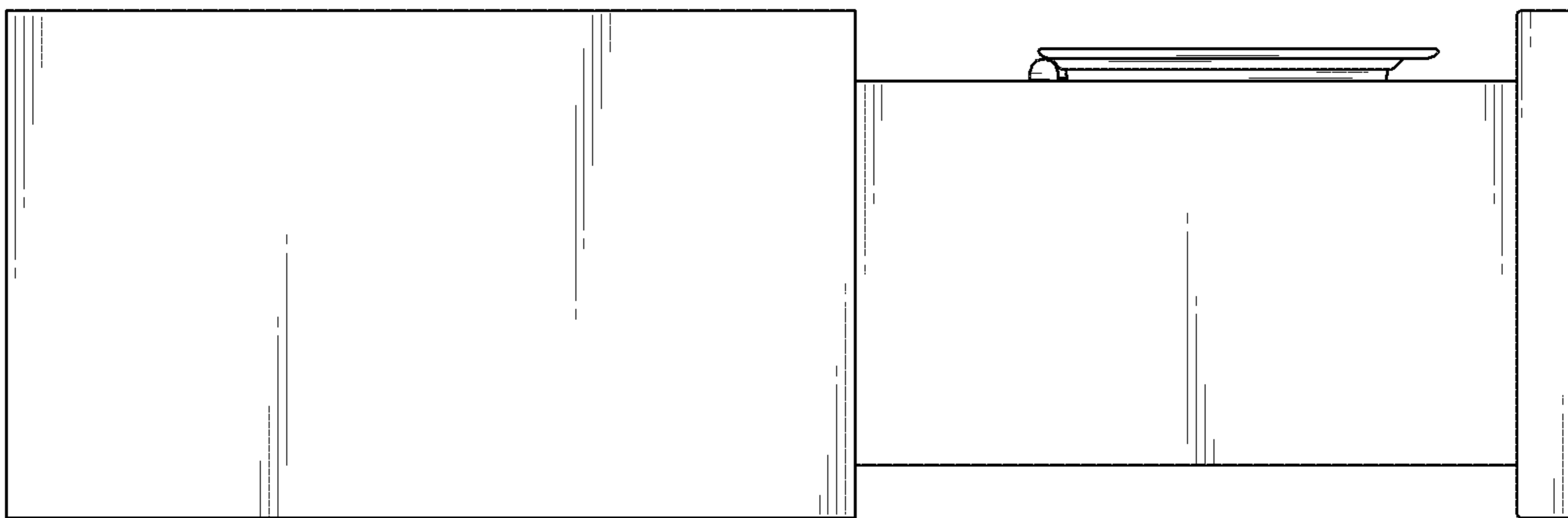
1. 2



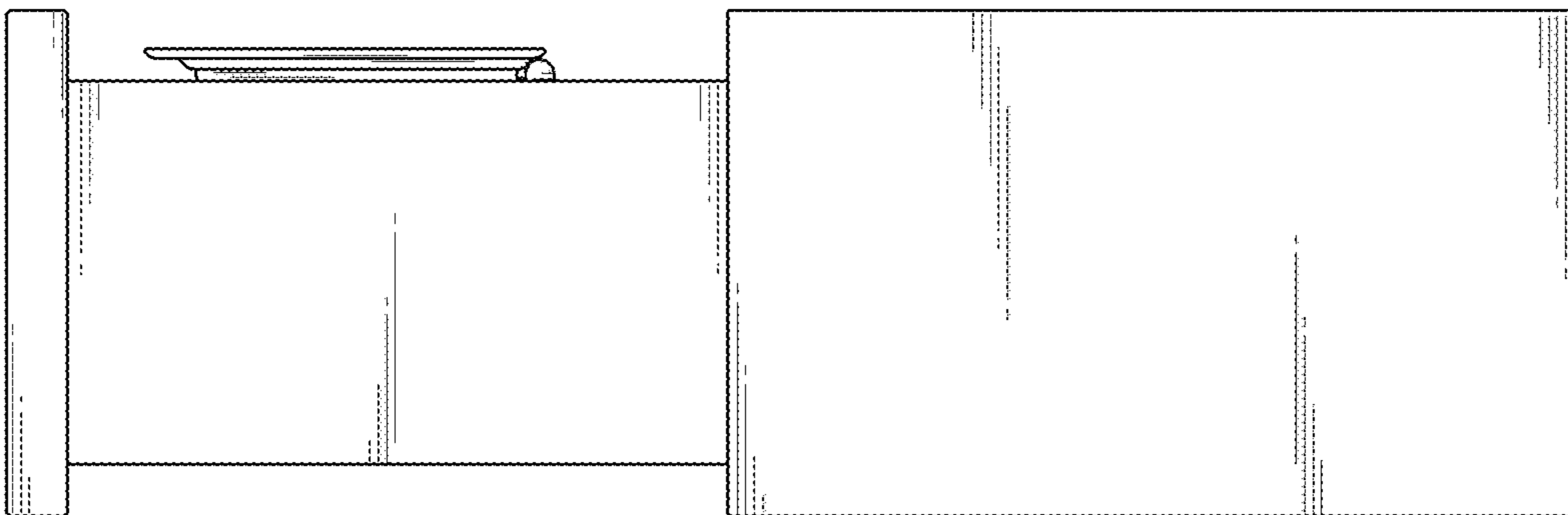
1. 3



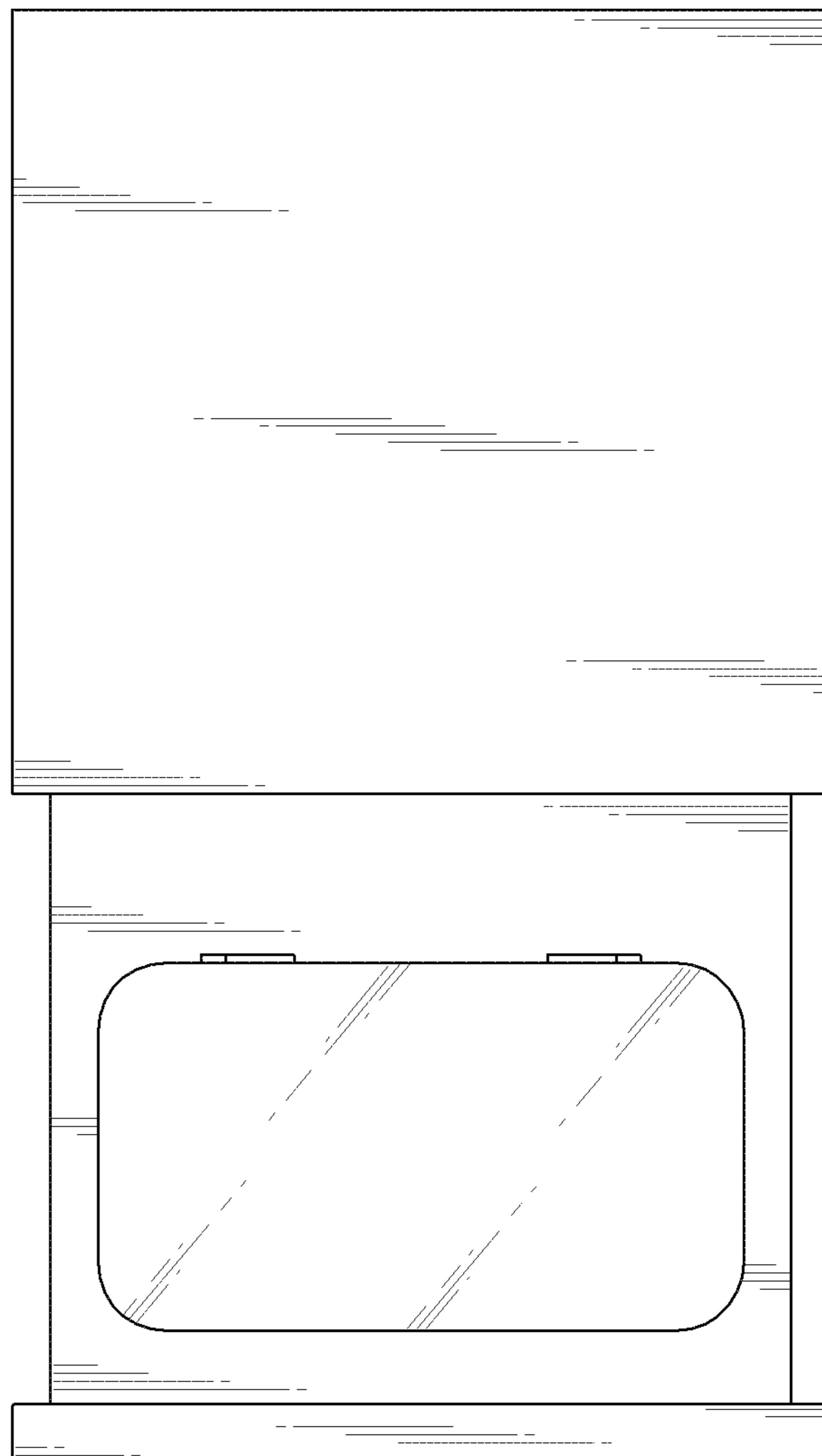
1. 4



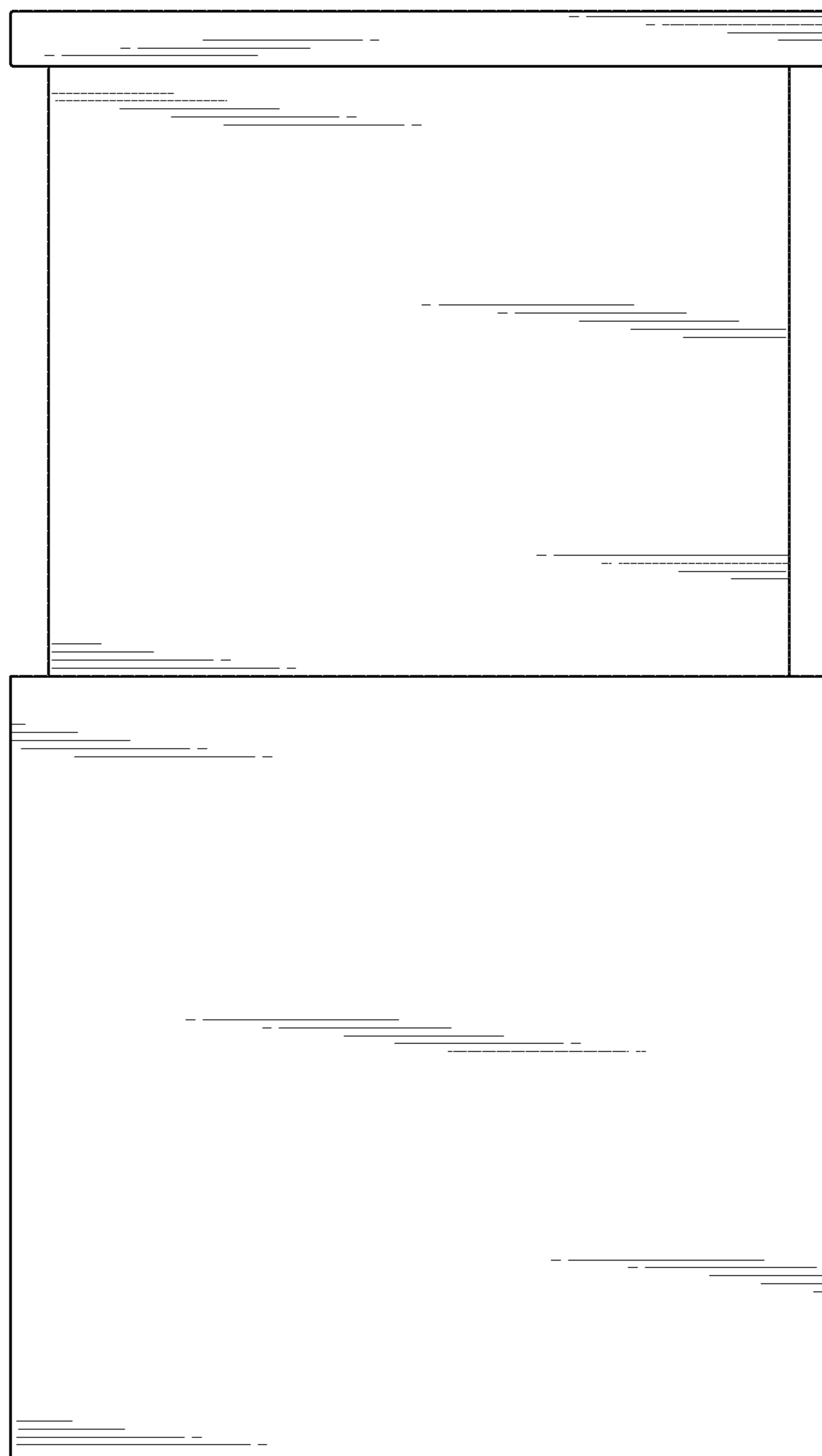
1.5



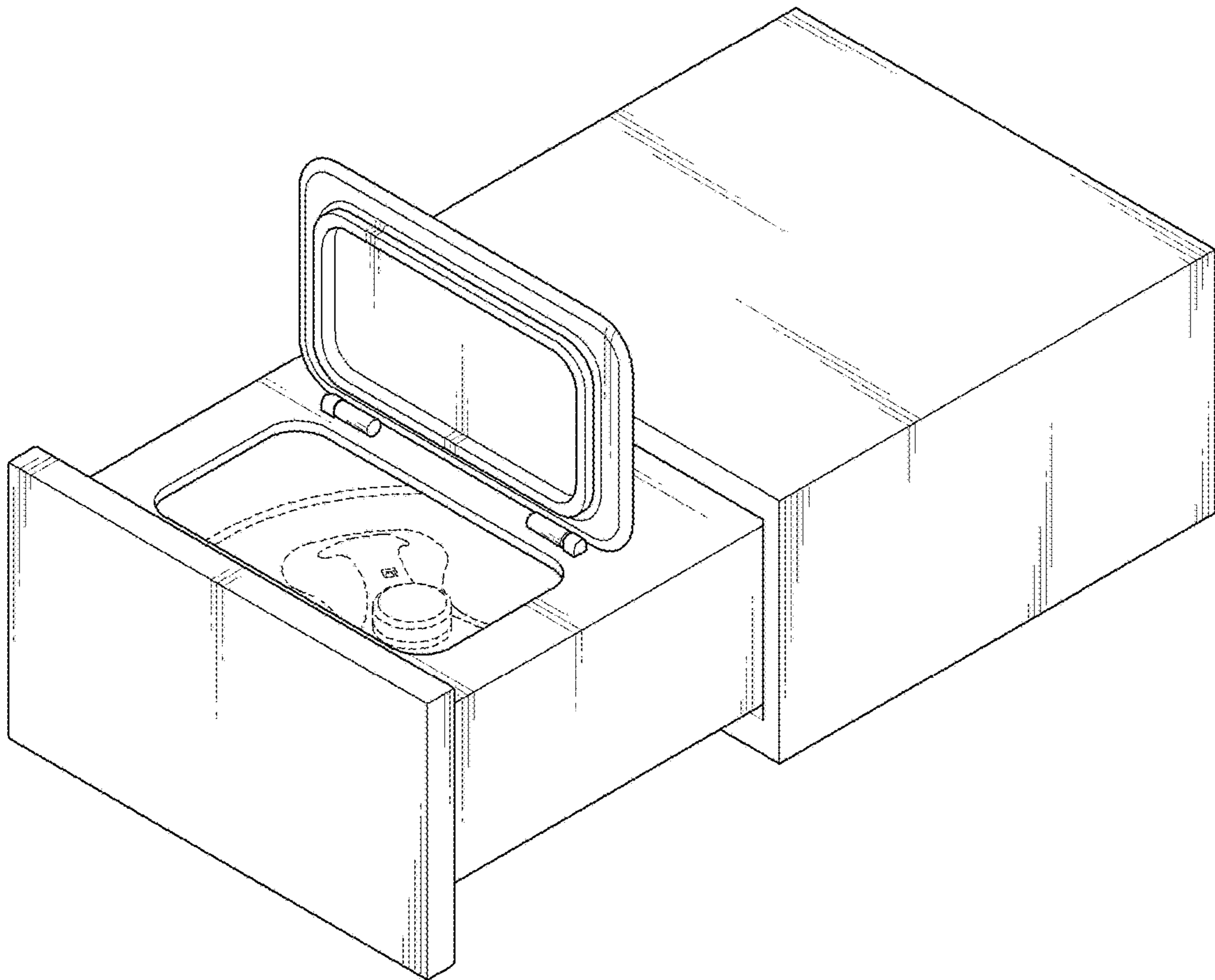
1. 6



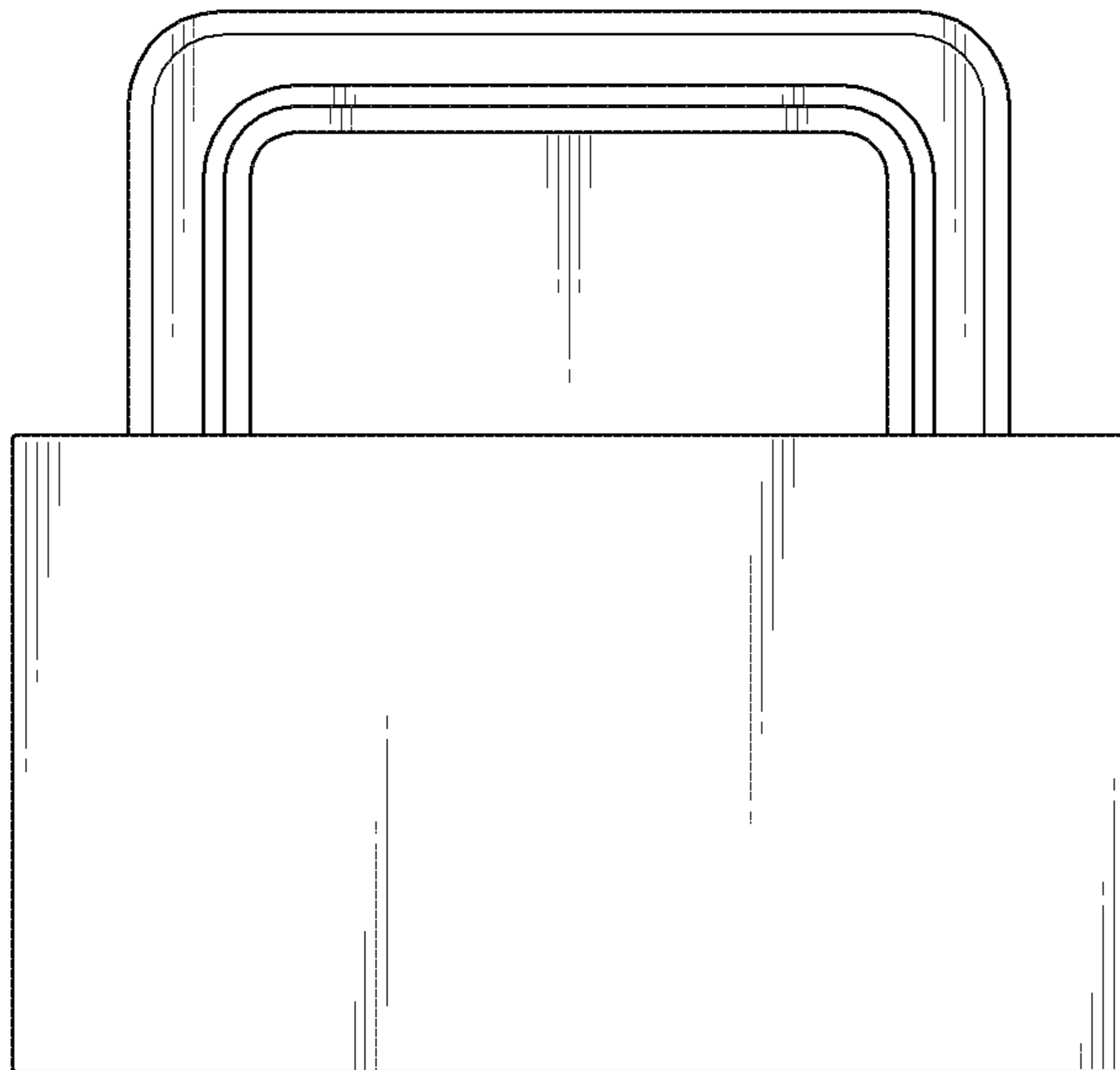
1.7



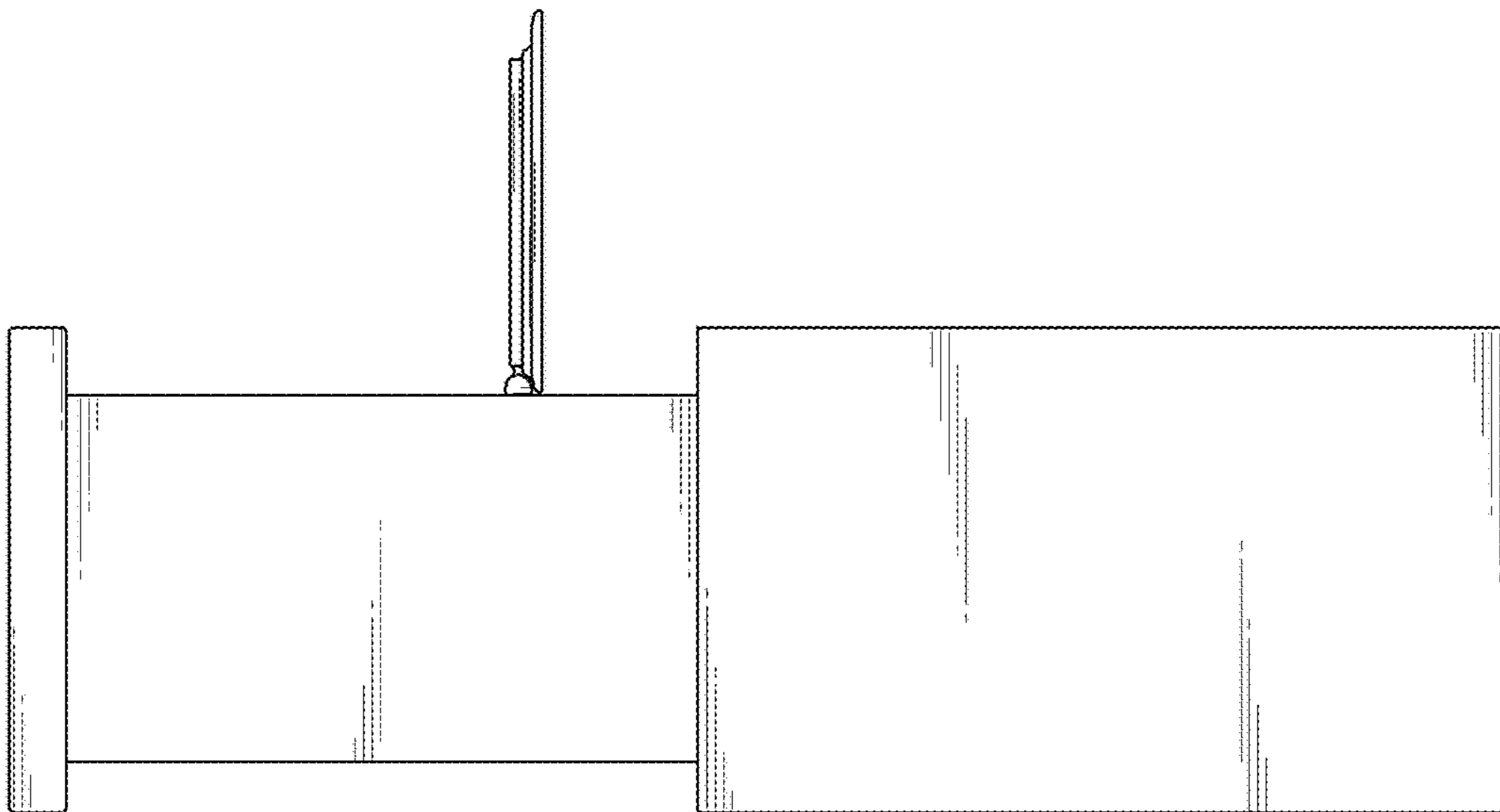
1. 8



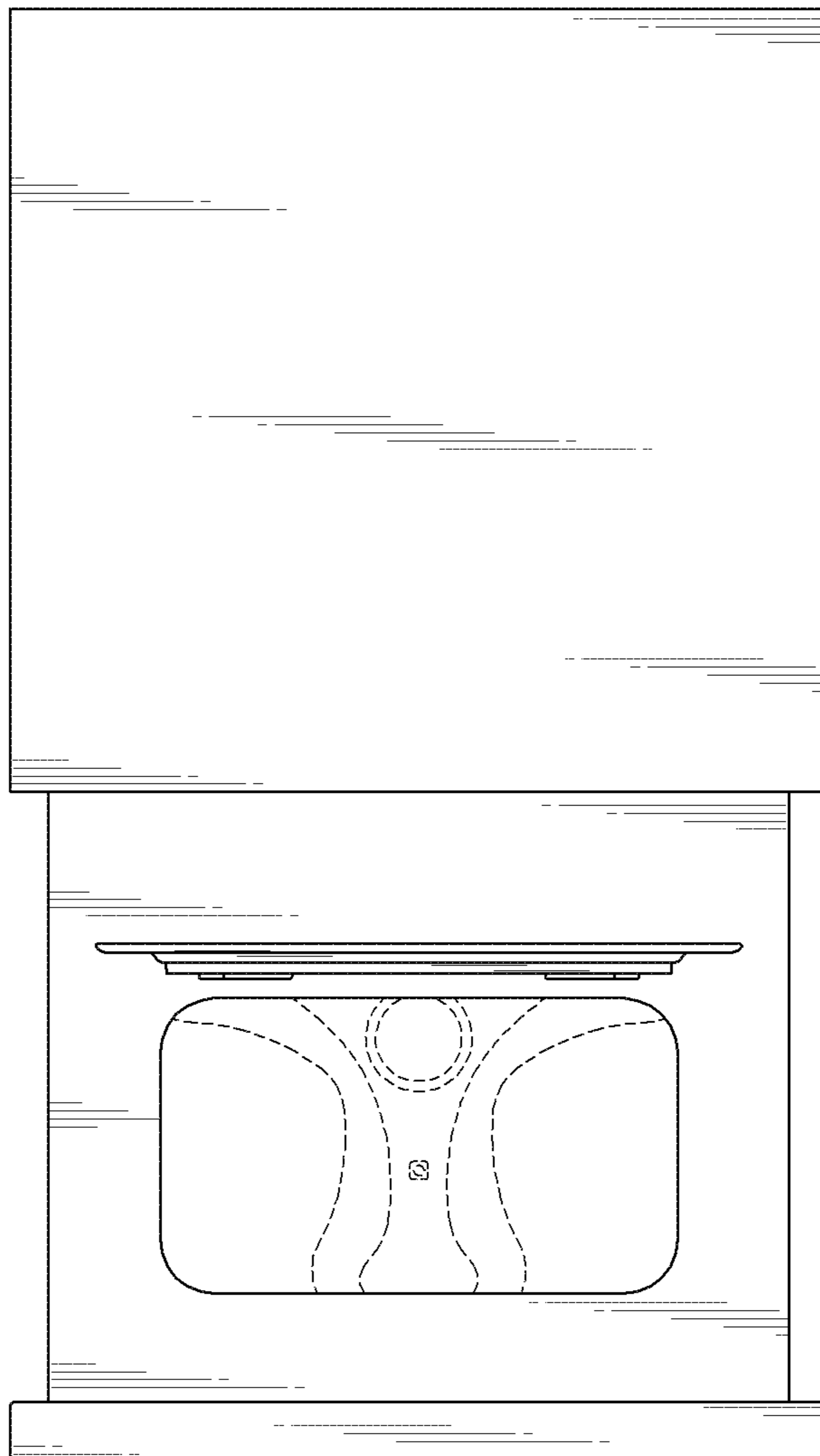
1.9



1. 10



1. 11



1. 12

