



US00D811026S

(12) **United States Design Patent**  
**Yoon et al.**

(10) **Patent No.:** **US D811,026 S**  
(45) **Date of Patent:** **\*\* Feb. 20, 2018**

(54) **VACUUM CLEANER**

(71) Applicant: **Samsung Electronics Co., Ltd.**,  
Suwon-si (KR)

(72) Inventors: **Sanghun Yoon**, Seoul (KR);  
**Kyoungmin Lee**, Goyang-si (KR);  
**Cheolyeon Jo**, Seoul (KR); **Seokwoo Kim**, Seoul (KR)

(73) Assignee: **SAMSUNG ELECTRONICS CO., LTD.**, Suwon-si (KR)

(\*\*) Term: **15 Years**

(21) Appl. No.: **29/548,276**

(22) Filed: **Dec. 11, 2015**

(30) **Foreign Application Priority Data**

Jun. 11, 2015 (KR) ..... 30-2015-0029317

(51) **LOC (11) Cl.** ..... **15-05**

(52) **U.S. Cl.**  
USPC ..... **D32/22**

(58) **Field of Classification Search**  
USPC ..... D32/17-18, 21-22, 31, 34  
CPC ..... A47L 5/24; A47L 5/28; A47L 5/34; A47L 5/362; A47L 5/36; A47L 11/34; A47L 9/325; A47L 9/20; A47L 9/02; A47L 9/32; A47L 9/322; A47L 9/327; A47L 7/0038

See application file for complete search history.

(56) **References Cited**

**U.S. PATENT DOCUMENTS**

D574,563 S \* 8/2008 Fjellman ..... D32/22  
D643,980 S \* 8/2011 Kim ..... D32/22

D664,314 S \* 7/2012 Li ..... D32/17  
D672,516 S \* 12/2012 Ediger ..... D32/17  
D680,286 S \* 4/2013 Gray ..... D32/22  
D728,176 S \* 4/2015 Yu ..... D32/22

**FOREIGN PATENT DOCUMENTS**

CN 302967353 S 10/2014

\* cited by examiner

*Primary Examiner* — Ruth McInroy

(74) *Attorney, Agent, or Firm* — McAndrews Held & Malloy, Ltd.

(57) **CLAIM**

The ornamental design for a vacuum cleaner, as shown and described.

**DESCRIPTION**

FIG. 1 is a front perspective view of a vacuum cleaner showing our new design;  
FIG. 2 is a front elevation view thereof;  
FIG. 3 is a rear elevation view thereof;  
FIG. 4 is a left-side elevation view thereof;  
FIG. 5 is a right-side elevation view thereof;  
FIG. 6 is a top plan view thereof;  
FIG. 7 is a bottom plan view thereof; and,  
FIG. 8 is a rear perspective view thereof.  
The details shown in dashed broken lines in the drawings form no part of the claimed design.

**1 Claim, 7 Drawing Sheets**

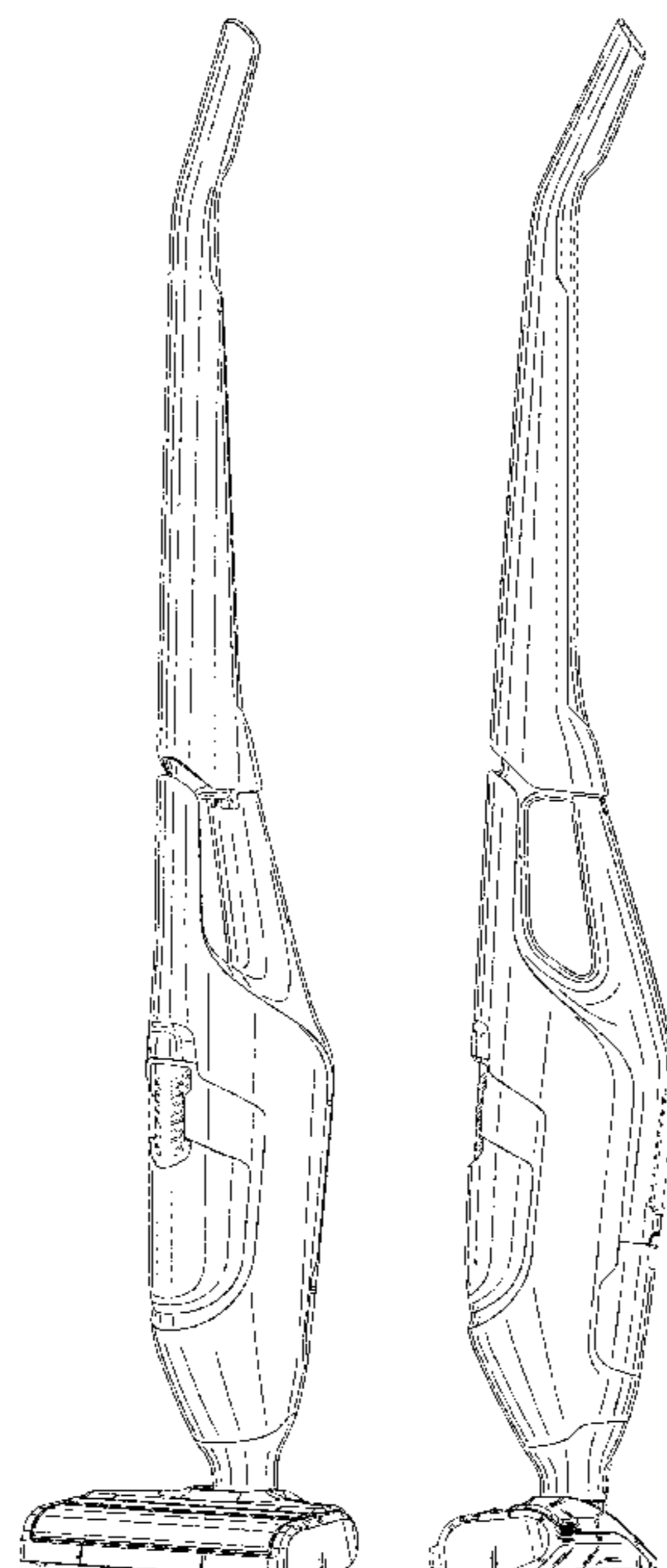


FIG. 1

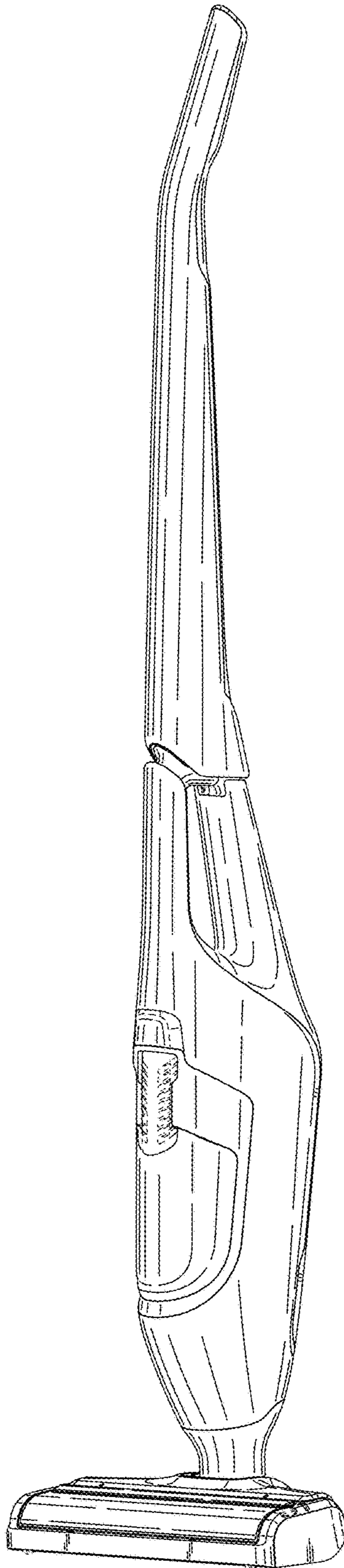


FIG. 2

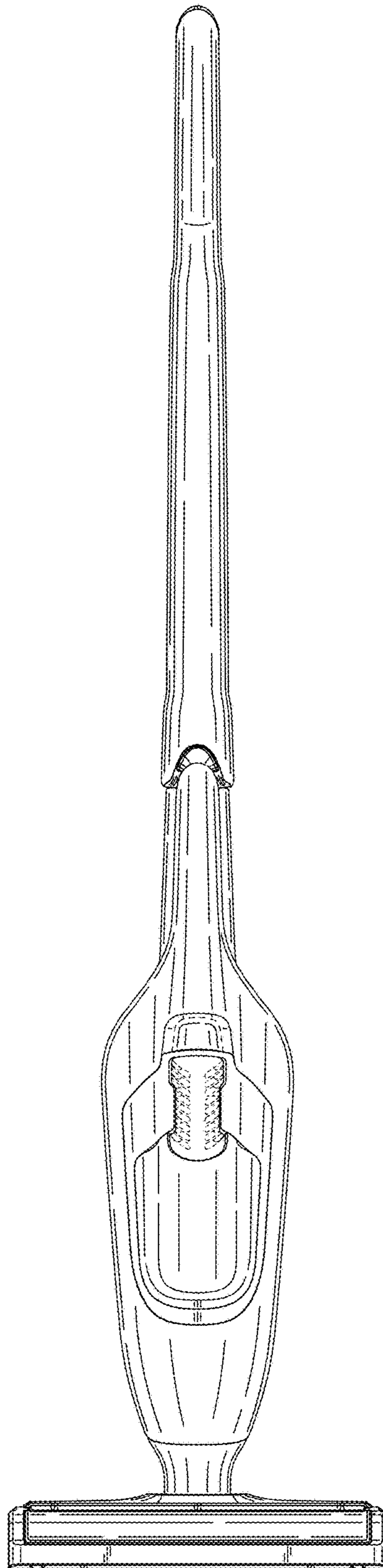


FIG. 3

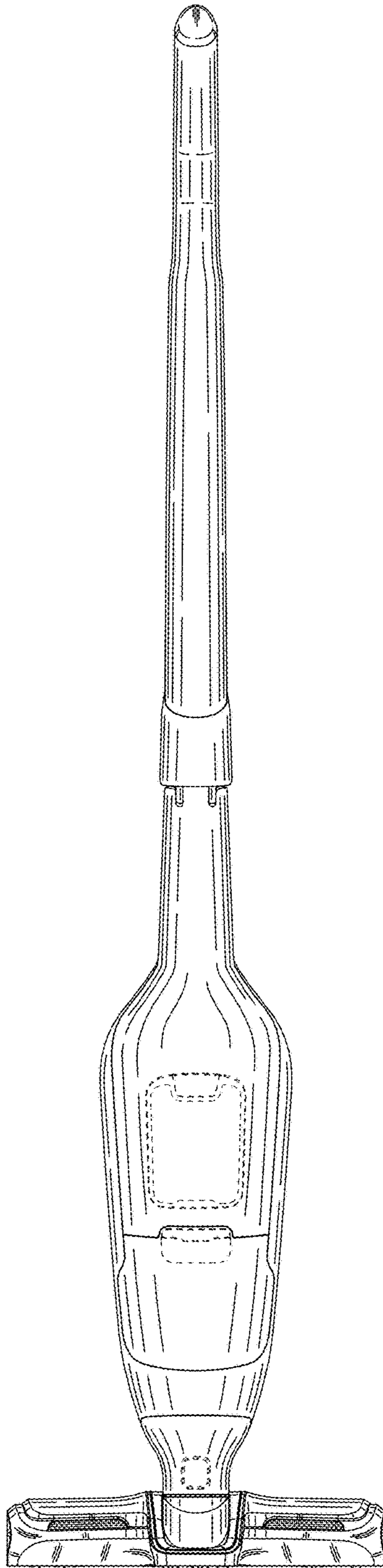


FIG. 4

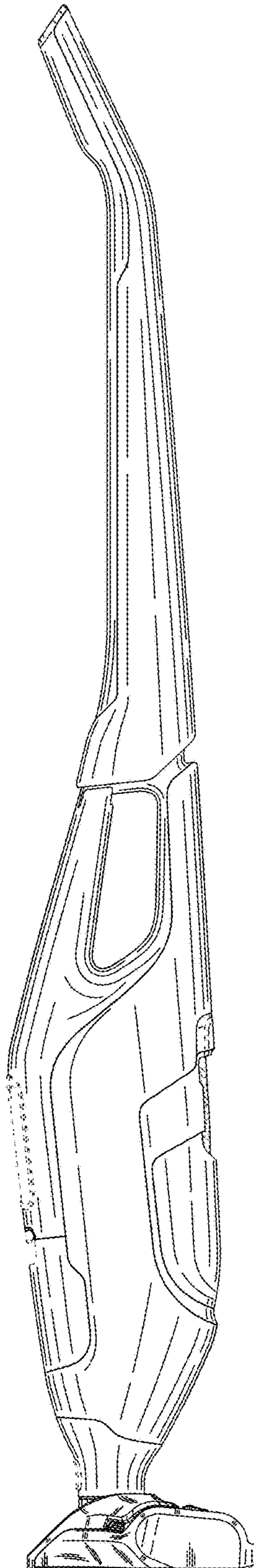


FIG. 5

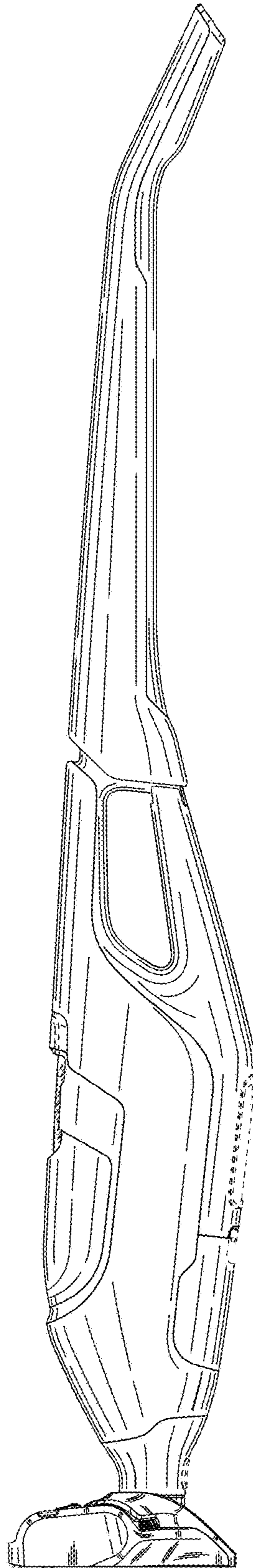


FIG. 6

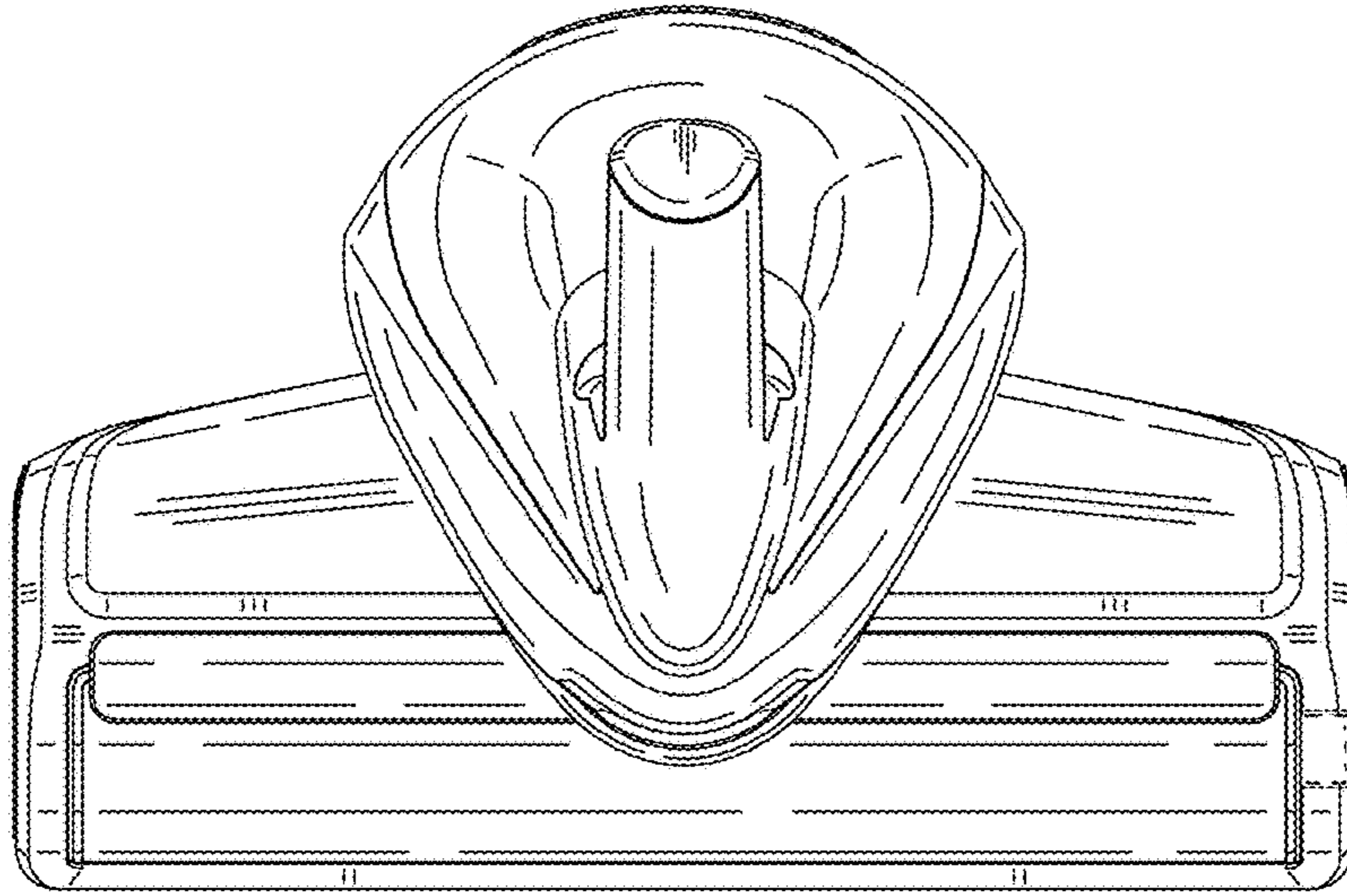


FIG. 7

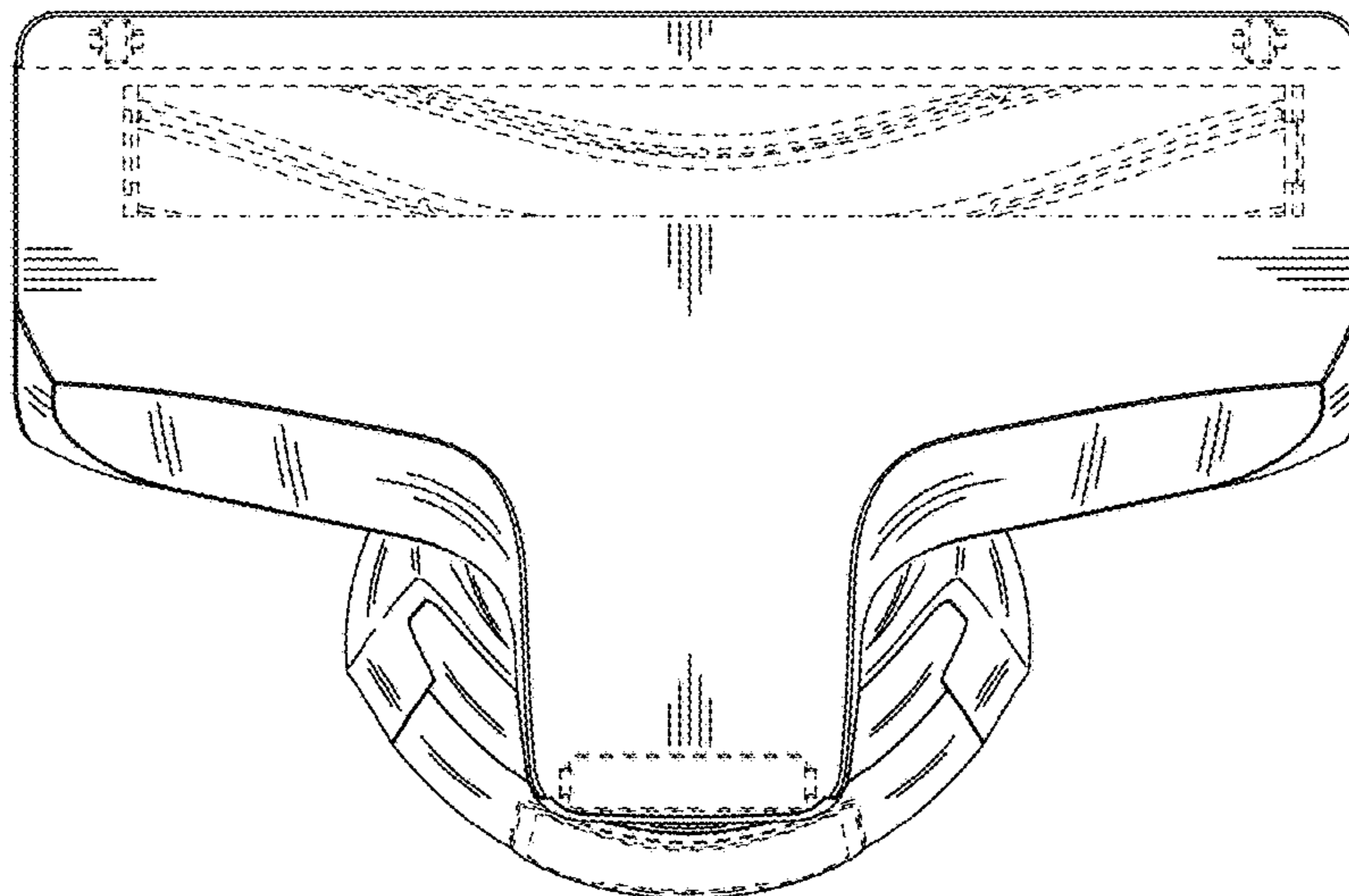


FIG. 8

