



US00D811025S

(12) **United States Design Patent**
Fordyce et al.

(10) **Patent No.:** **US D811,025 S**

(45) **Date of Patent:** **** Feb. 20, 2018**

(54) **TOILET PLUNGER**

(71) Applicant: **THE PLUNGER PROJECT, LLC**,
Portland, OR (US)

(72) Inventors: **Casey James Fordyce**, Gaston, OR
(US); **Carl Alan Hickerson**, Portland,
OR (US); **Abdellah Jamal Ramadan**,
Portland, OR (US)

(73) Assignee: **The Plunger Project, LLC**, Portland,
OR (US)

(**) Term: **15 Years**

(21) Appl. No.: **29/603,482**

(22) Filed: **May 10, 2017**

Related U.S. Application Data

(63) Continuation of application No. 29/565,819, filed on
May 24, 2016.

(51) **LOC (11) Cl.** **15-05**

(52) **U.S. Cl.**
USPC **D32/14**

(58) **Field of Classification Search**
USPC D32/1, 14, 25, 35; D23/223, 224;
D6/524

CPC E03C 1/308; A47K 11/10
See application file for complete search history.

(56) **References Cited**

U.S. PATENT DOCUMENTS

D292,631	S	*	11/1987	Tash	D32/14
D306,756	S	*	3/1990	Lsakson	D23/231
D364,251	S	*	11/1995	Novak	D32/35
D437,463	S	*	2/2001	Garay	D32/14
D437,667	S	*	2/2001	Hwang	D32/35
D441,507	S	*	5/2001	Gholston	D32/14
D448,534	S	*	9/2001	Wang	D32/35

D454,673	S	*	3/2002	Hwang	D32/35
D456,574	S	*	4/2002	Chen	D32/35
D457,277	S	*	5/2002	Poston	D32/14
D464,775	S	*	10/2002	Larson	D32/35
D465,888	S	*	11/2002	Wang	D32/35
D466,658	S	*	12/2002	Van Dam	D32/14
D491,702	S	*	6/2004	Tash	D32/14
D509,333	S	*	9/2005	Tash	D32/35
D514,760	S	*	2/2006	Schoolcraft	D32/35
D535,073	S	*	1/2007	Leaphart	D32/35
D684,325	S	*	6/2013	Newman	D32/14
D688,840	S	*	8/2013	Wu	D32/14
D690,959	S	*	10/2013	Yang	D6/524
9,631,349	B2	*	4/2017	Petner	E03C 1/308
2005/0172385	A1	*	8/2005	Jiang	E03C 1/308 4/255.05

(Continued)

Primary Examiner — Michael A. Pratt

Assistant Examiner — Michelle E Wilson

(74) *Attorney, Agent, or Firm* — Renaissance IP Law
Group, LLP; David A. Crowther

(57) **CLAIM**

The ornamental design for a toilet plunger, as shown and
described.

DESCRIPTION

FIG. 1 is a first perspective view of a toilet plunger showing
my new design;

FIG. 2 is a second perspective view of the toilet plunger of
FIG. 1;

FIG. 3 is a front view of the toilet plunger of FIG. 1;

FIG. 4 is a back view of the toilet plunger of FIG. 1;

FIG. 5 is a first side view of the toilet plunger of FIG. 1;

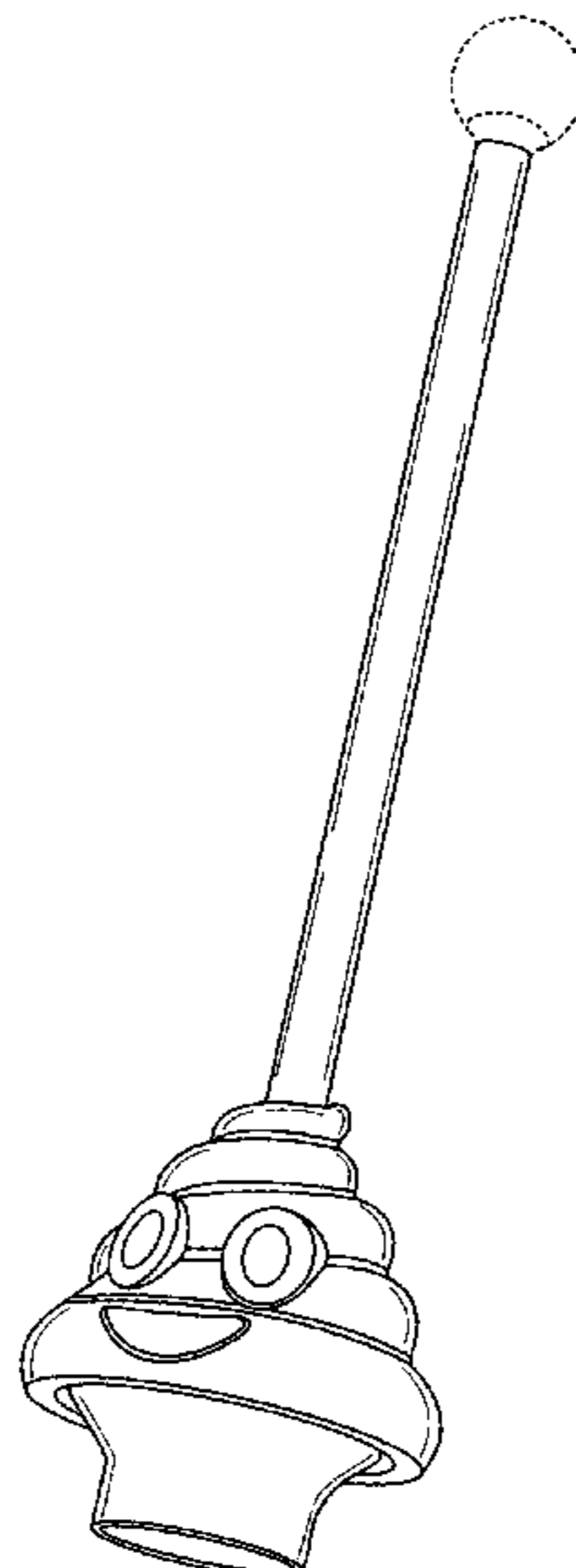
FIG. 6 is a second side view of the toilet plunger of FIG. 1;

FIG. 7 is a top view of the toilet plunger of FIG. 1; and,

FIG. 8 is a bottom view of the toilet plunger of FIG. 1.

The broken lines illustrate portions of the toilet plunger and
form no part of the claimed design.

1 Claim, 7 Drawing Sheets



(56)

References Cited

U.S. PATENT DOCUMENTS

2013/0036542	A1 *	2/2013	Loughman	A47K 11/10 4/255.11
2013/0125298	A1 *	5/2013	Guthrie	E03C 1/308 4/255.11
2014/0033419	A1 *	2/2014	Daciw	E03D 9/00 4/255.11
2014/0075661	A1 *	3/2014	Zeng	E03D 9/00 4/255.11
2014/0115768	A1 *	5/2014	Wang	E03D 9/00 4/255.11
2015/0240466	A1 *	8/2015	Schultz	A47K 11/10 4/255.11
2016/0298322	A1 *	10/2016	Zavala	E03C 1/308

* cited by examiner

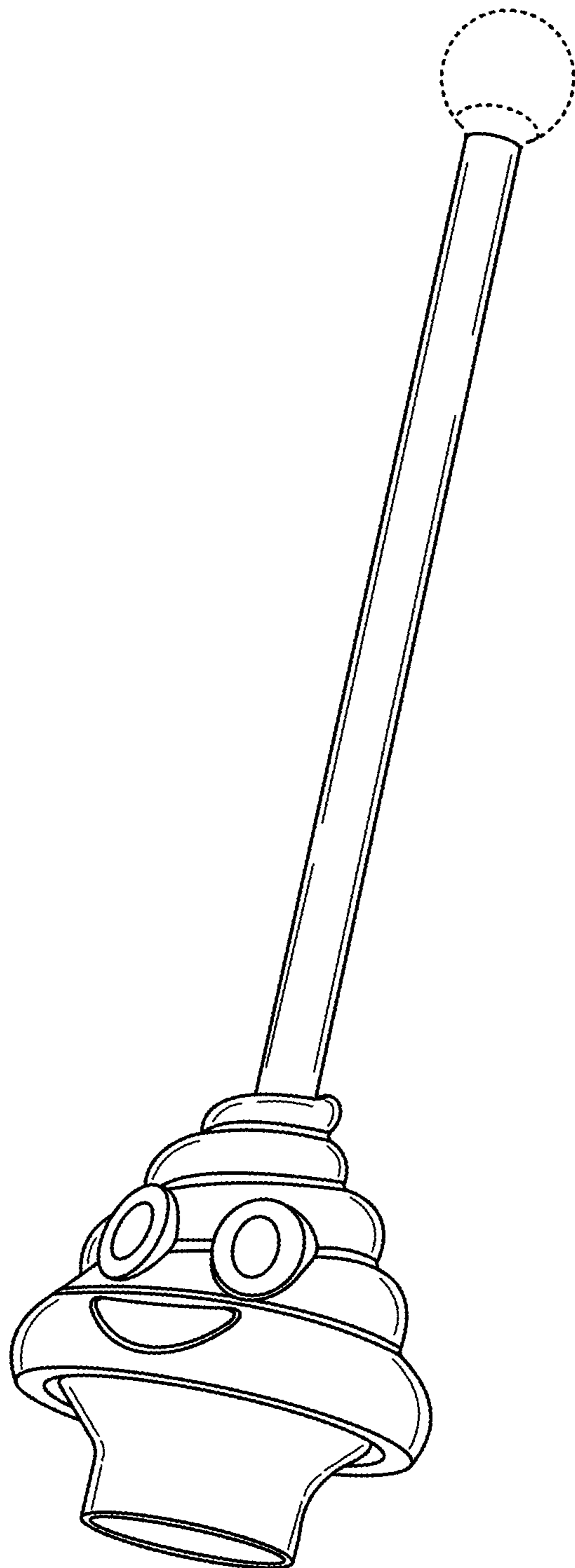


FIG. 1

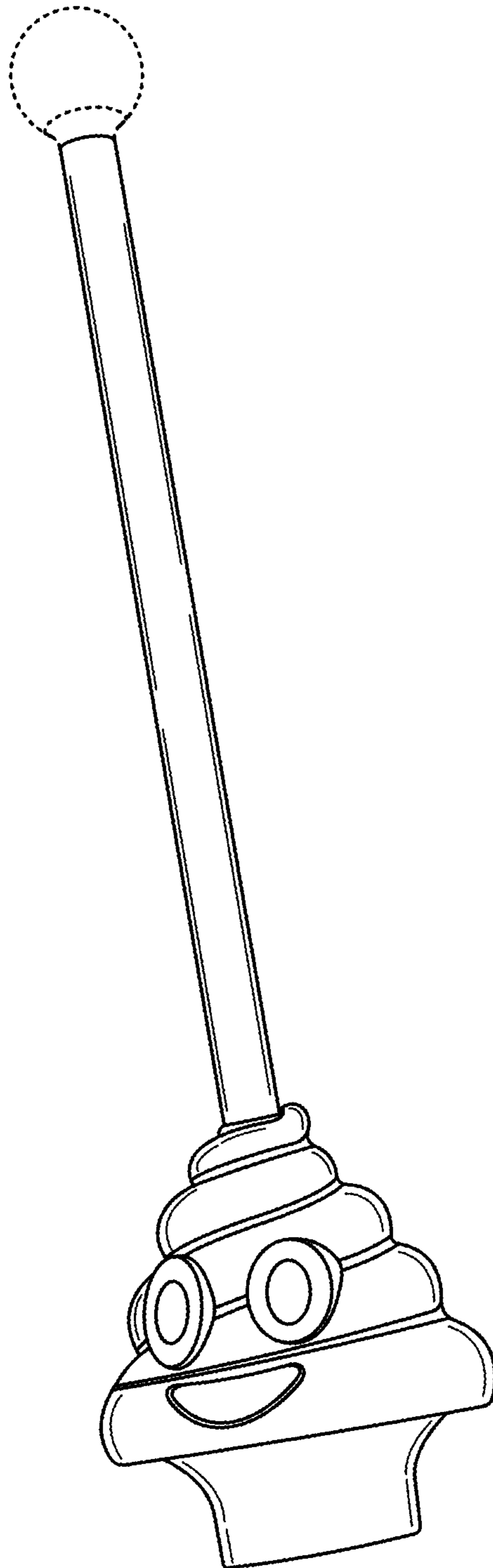


FIG. 2

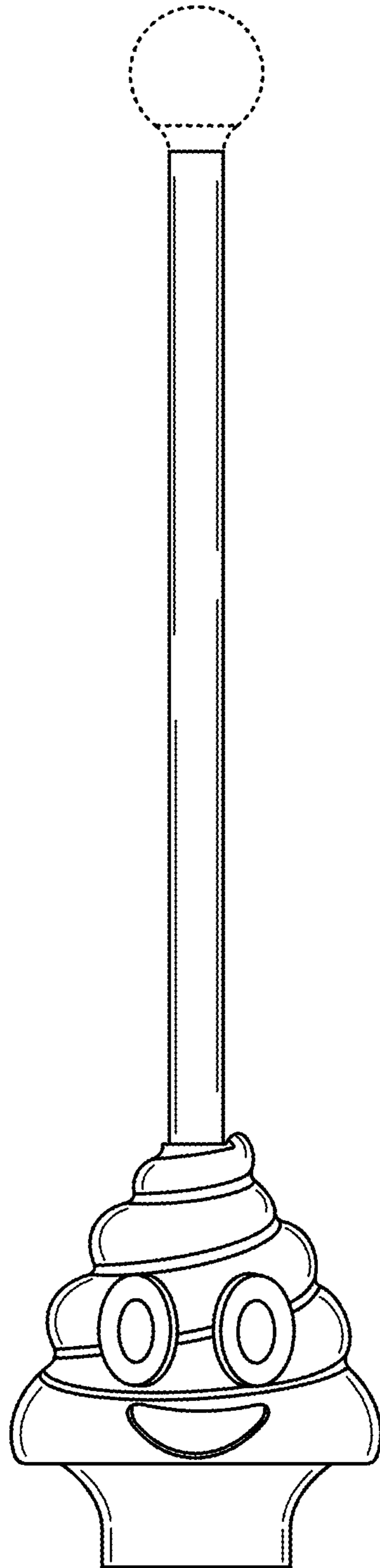


FIG. 3

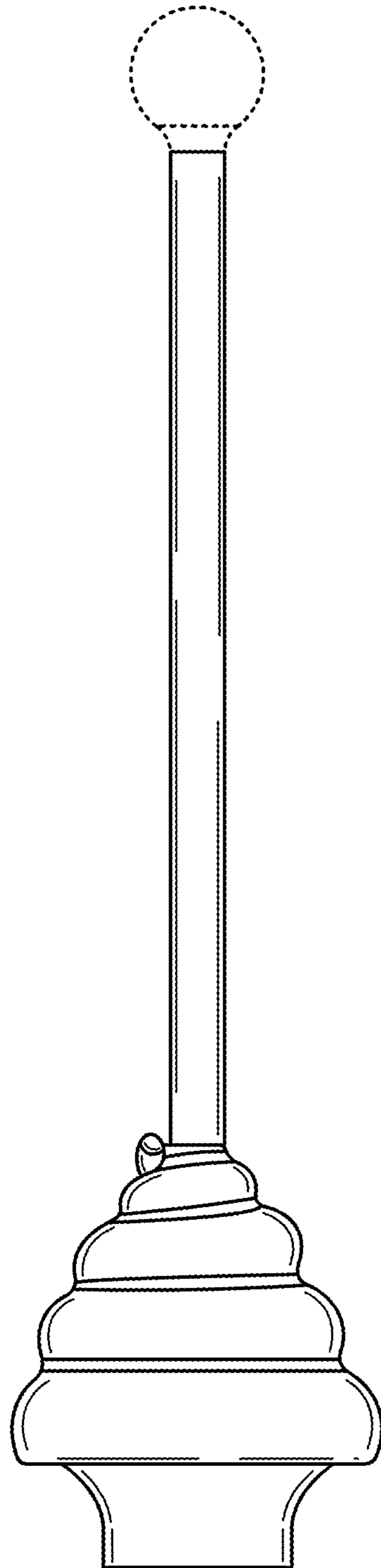


FIG. 4

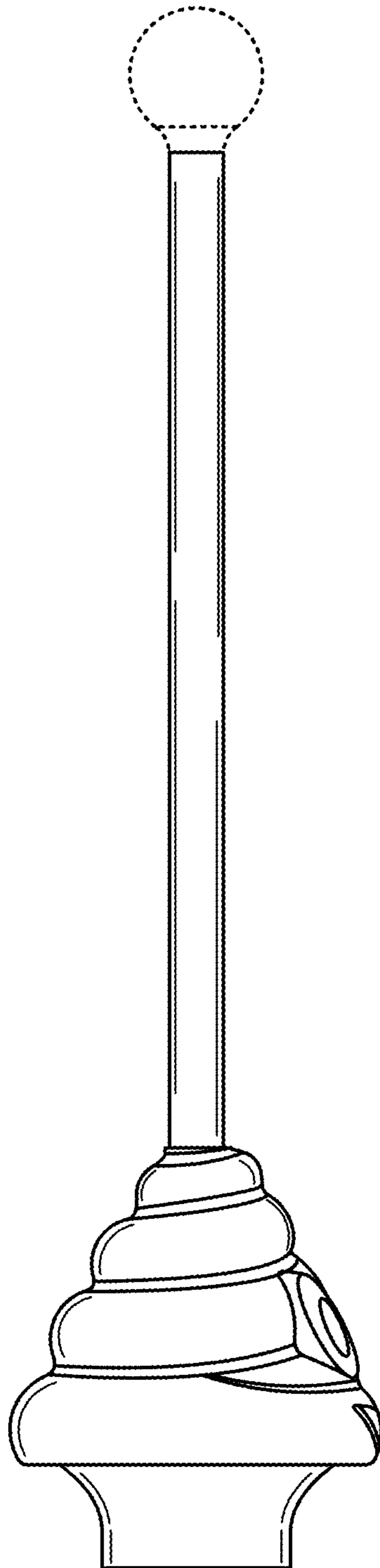


FIG. 5

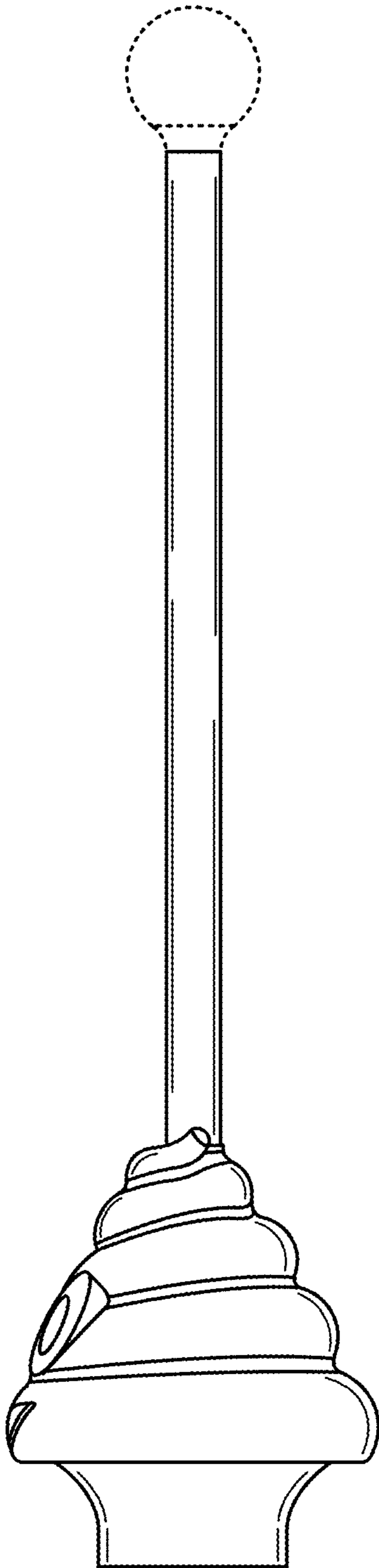


FIG. 6

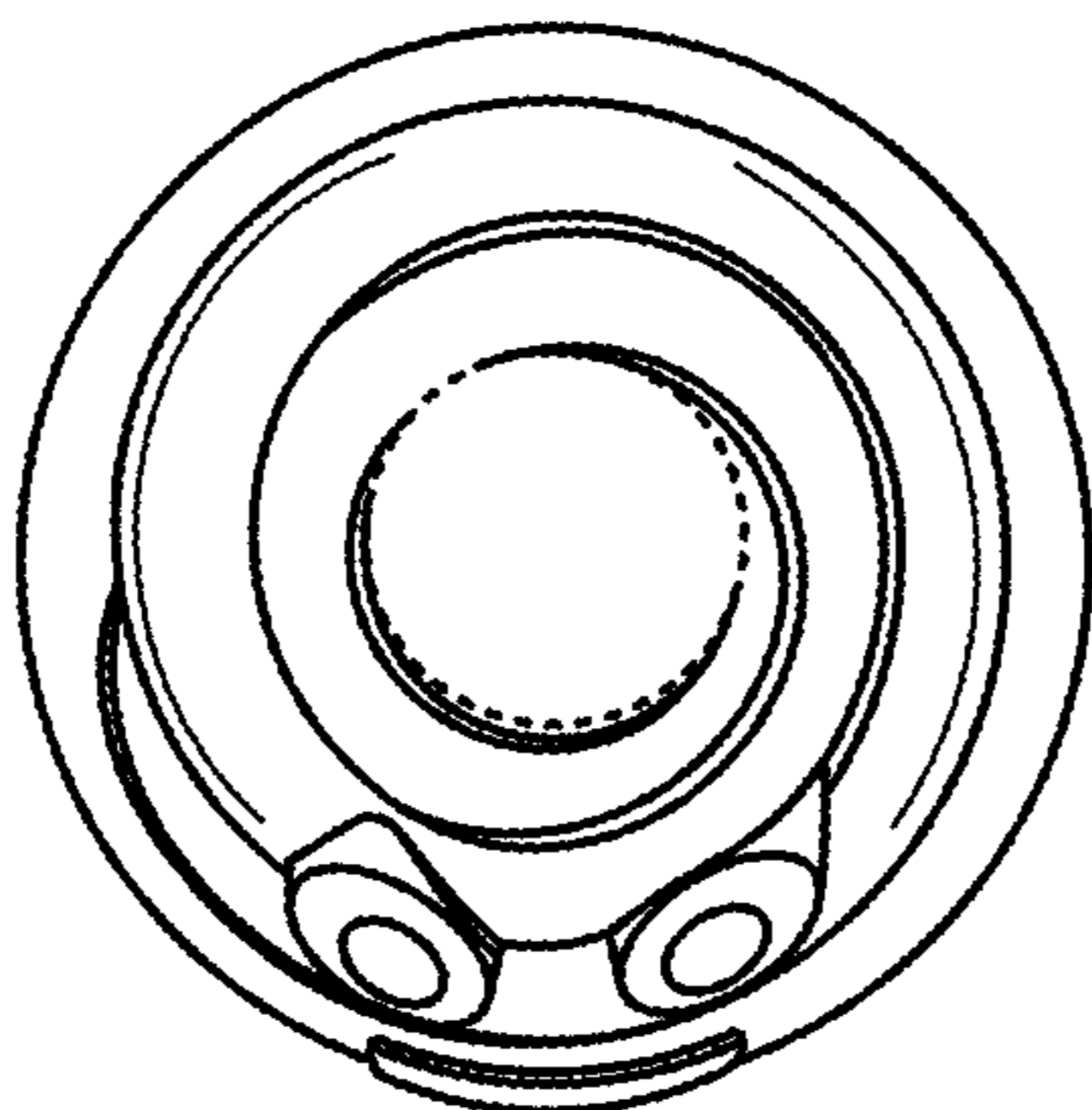


FIG. 7

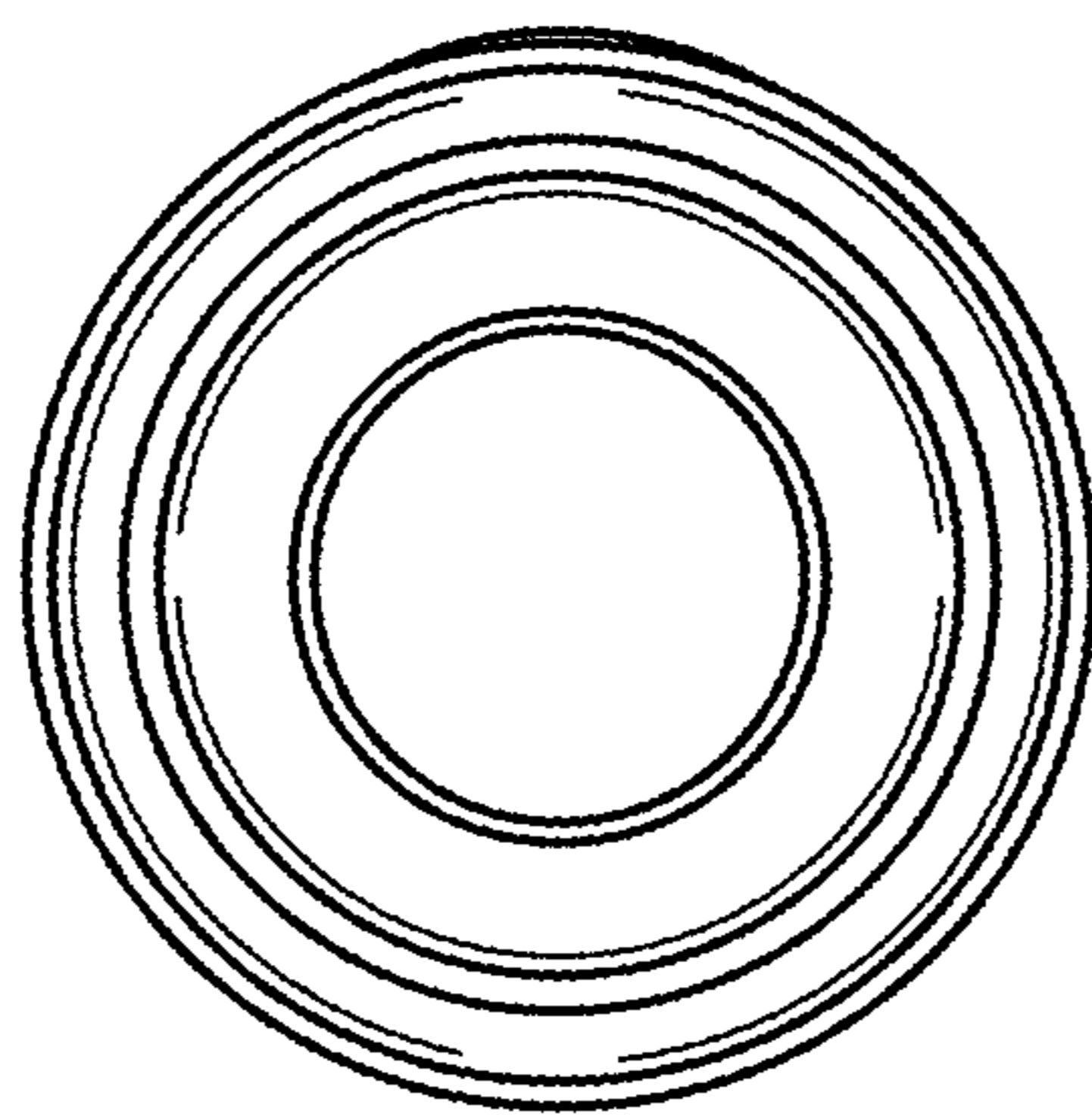


FIG. 8