



US00D811022S

(12) **United States Design Patent**
Myerson

(10) **Patent No.:** **US D811,022 S**
(45) **Date of Patent:** **** Feb. 20, 2018**

(54) **PET LITTER SCOOP**

(71) Applicant: **Maurice Myerson**, Atlanta, GA (US)

(72) Inventor: **Maurice Myerson**, Atlanta, GA (US)

(**) Term: **15 Years**

(21) Appl. No.: **29/569,444**

(22) Filed: **Jun. 28, 2016**

(51) **LOC (11) Cl.** **30-99**

(52) **U.S. Cl.**
USPC **D30/162**

(58) **Field of Classification Search**
USPC D30/162, 161, 199; 119/867, 161, 166,
119/174; D8/13, 10; D9/430;
294/1.3-1.5, 19.1, 49, 50, 50.5, 55, 179,
294/176, 180, 3, 7, 99.2, 177, 59, 57;
209/418, 419; 15/257.1, 257.2, 1.7;
210/464, 465, 470, 472; D7/692;
D21/532; D32/74
CPC A01K 1/01; A01K 1/011; A01K 1/0128;
A01K 1/0132; E01H 1/12; E01H 1/1206;
E01H 2001/122; E01H 2001/1226; E01H
2001/1233; E01H 2001/1246; E01H
2001/126; E01H 2001/1266; E01H
2001/1273; E01H 2001/128; B07B 1/00;
B07B 1/005; B07B 1/02; E04H 4/1609;
F24B 15/08
See application file for complete search history.

(56) **References Cited**

U.S. PATENT DOCUMENTS

594,778 A * 11/1897 Charles A47L 13/52
294/181
1,201,505 A * 10/1916 Robson A47L 13/52
294/181
4,483,560 A * 11/1984 Lordi E01H 1/1206
15/257.1

D281,107 S * 10/1985 Lordi D30/162
5,662,366 A * 9/1997 Fraske A63B 47/02
294/19.2
6,234,549 B1 * 5/2001 Brownell A01K 1/0114
294/1.3
6,416,097 B1 * 7/2002 O'Rourke A01K 1/0114
209/418
6,732,402 B1 * 5/2004 Hsu A47L 13/52
15/257.6
7,523,973 B2 * 4/2009 Lin A01K 1/0114
209/418
D659,916 S * 5/2012 Myerson D30/162
D675,493 S * 2/2013 Cie La D32/74
2003/0025344 A1 * 2/2003 Schultice E01H 5/02
294/54.5
2004/0124646 A1 * 7/2004 Peko A01K 23/005
294/1.4

(Continued)

Primary Examiner — Susan Moon Lee

(74) *Attorney, Agent, or Firm* — Walter A. Rodgers

(57) **CLAIM**

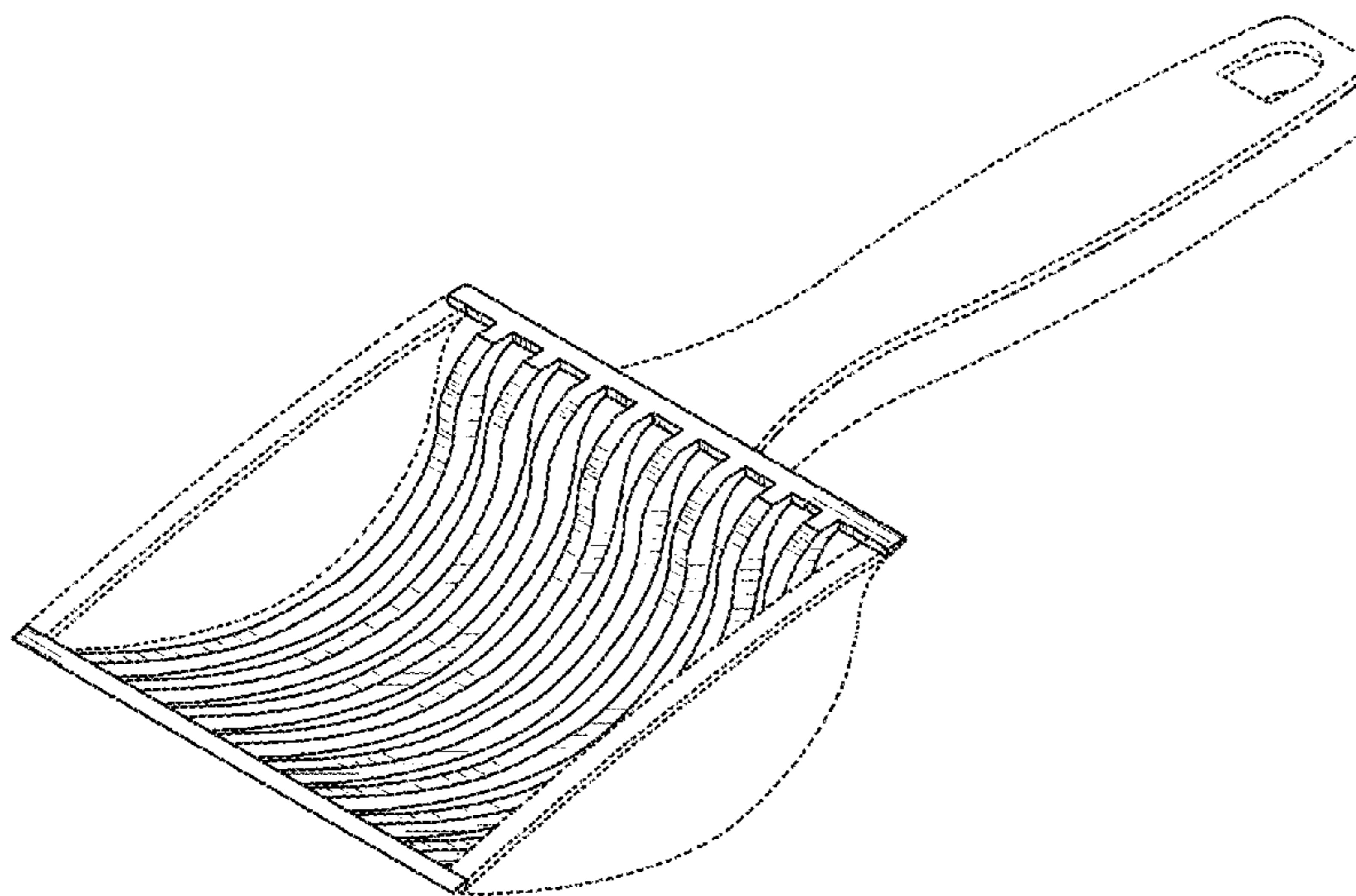
The ornamental design for a pet litter scoop, as shown and described.

DESCRIPTION

FIG. 1 is a perspective view of a pet litter scoop showing my new design;
FIG. 2 is a front elevational view thereof, the rear being a mirror image thereof;
FIG. 3 is a left-side elevational view thereof;
FIG. 4 is a top plan view thereof;
FIG. 5 is a bottom plan view thereof;
FIG. 6 is a right side elevation view thereof; and,
FIG. 7 is a perspective of second embodiment of FIG. 1, the only difference being the number of tines, it being understood that all other surfaces are the same as those of the first embodiment.

The dotted lines in the drawings are included for the purpose of illustration and form no part of the claimed design.

1 Claim, 3 Drawing Sheets



(56)

References Cited

U.S. PATENT DOCUMENTS

2004/0227364 A1* 11/2004 Pain A01K 1/0114
294/1.3
2005/0173935 A1* 8/2005 Pain A01K 1/0114
294/1.3
2014/0070556 A1* 3/2014 Price A01B 1/02
294/50.6
2016/0295829 A1* 10/2016 Mertz A01K 1/0114

* cited by examiner

Fig 1

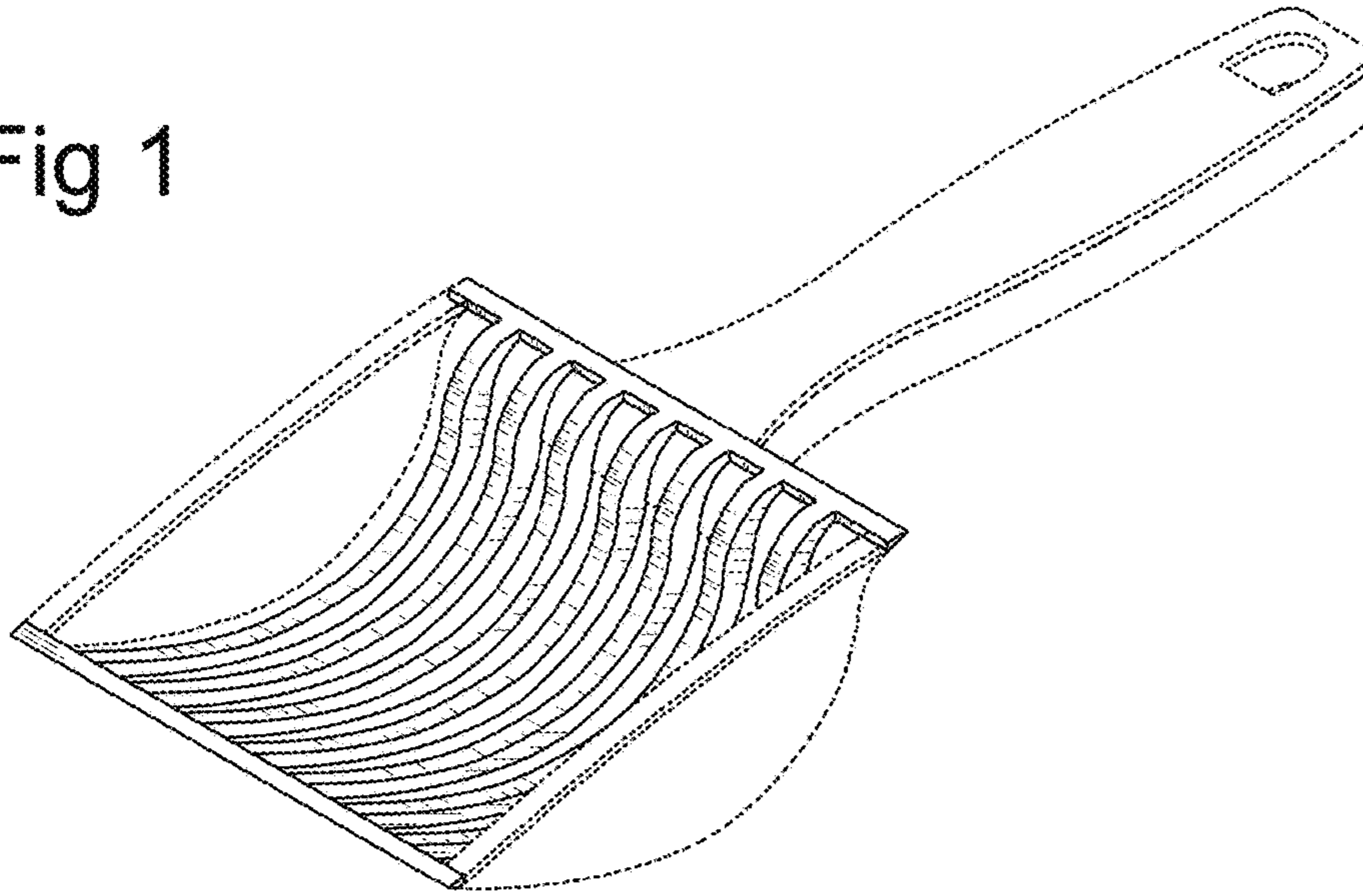


Fig 2

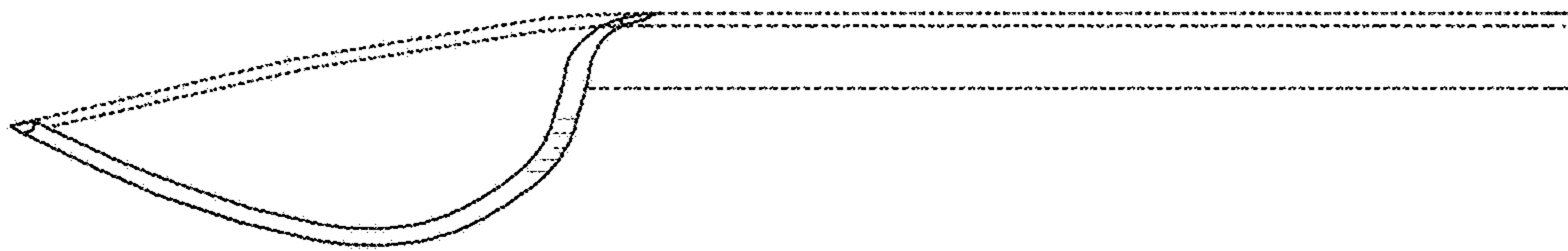


Fig 3



Fig 4

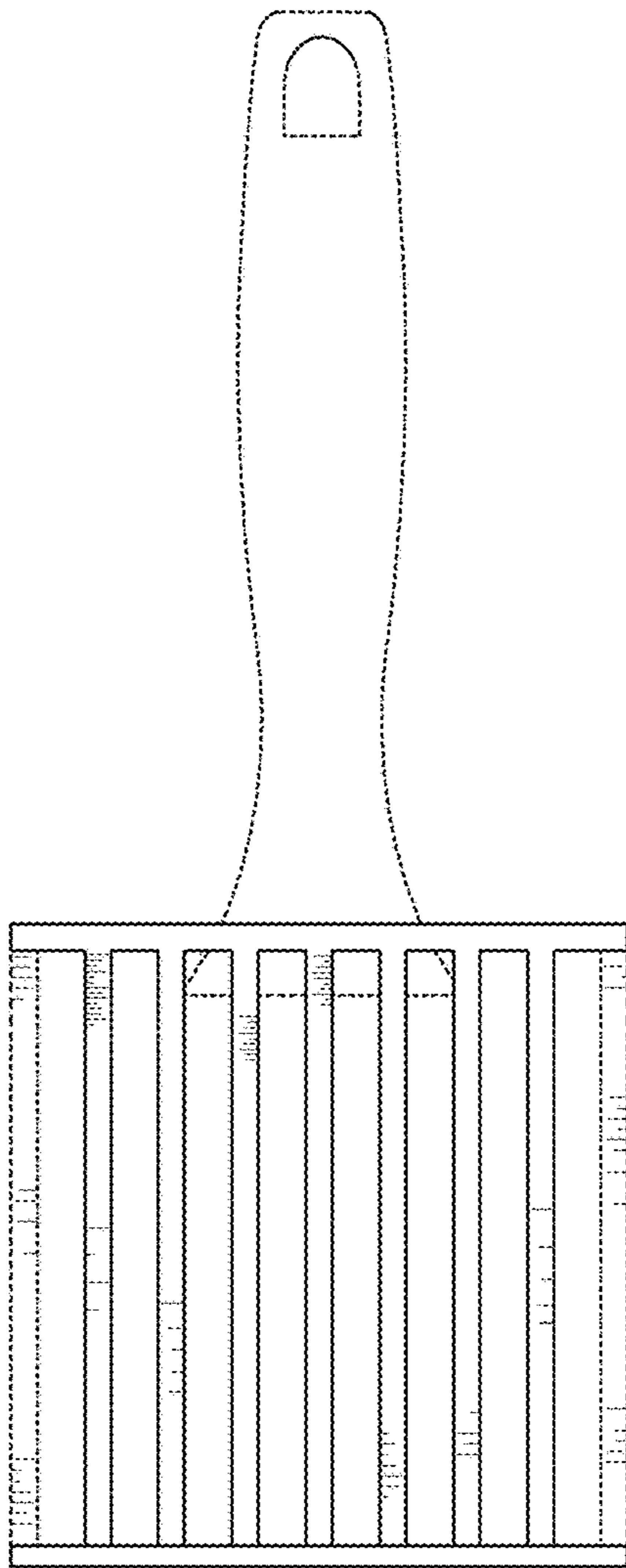


Fig 5

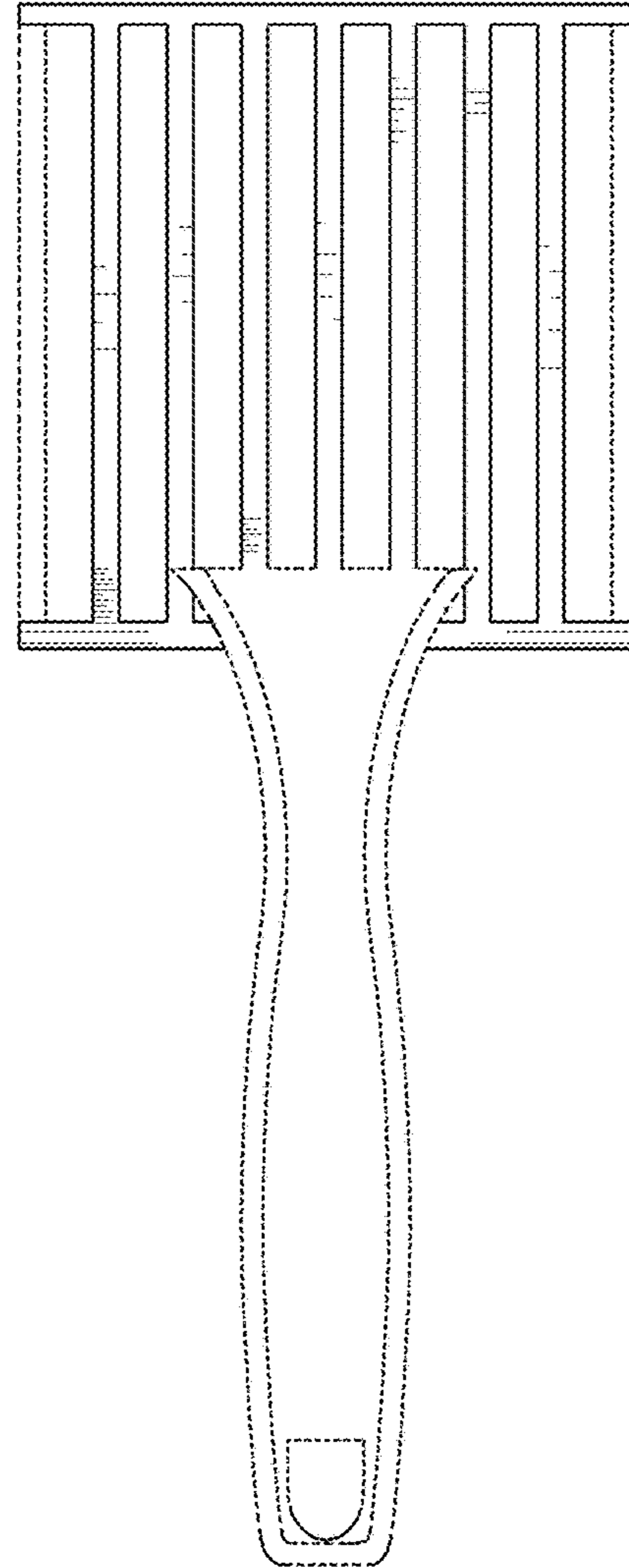


Fig 6

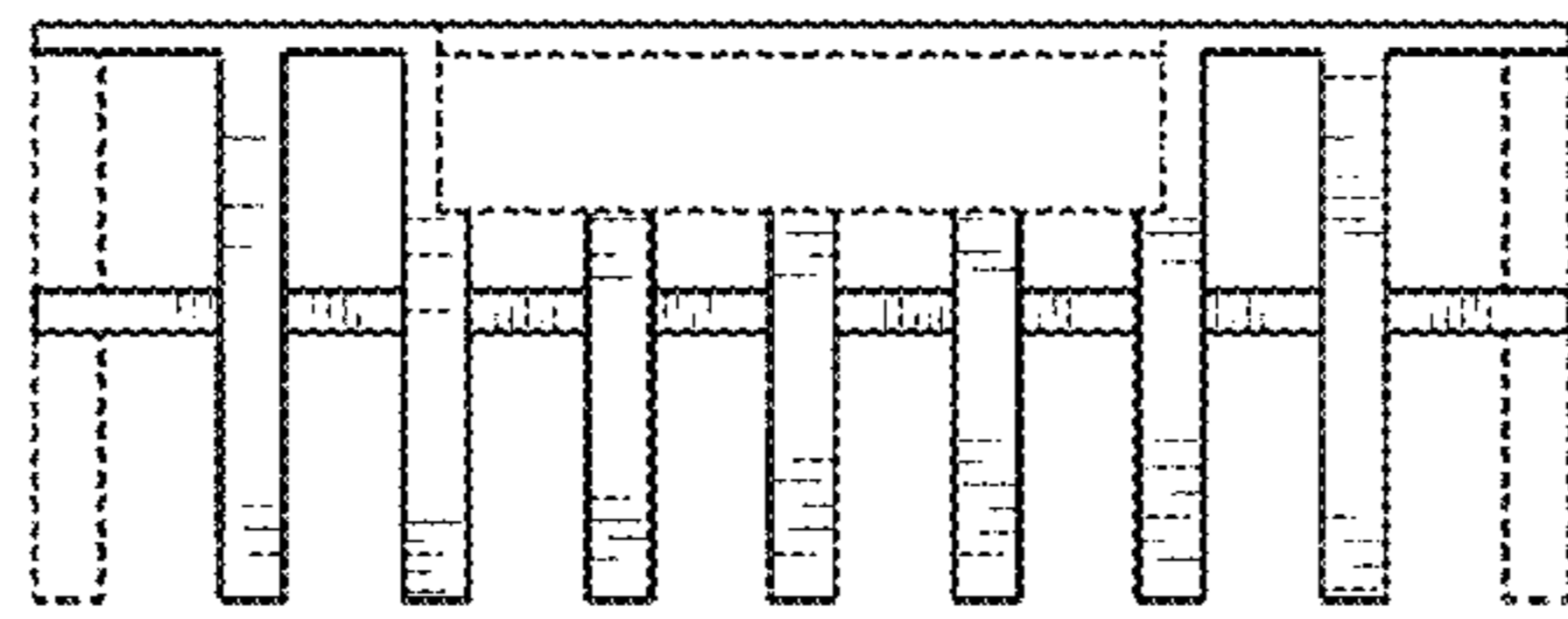


Fig 7

