



US00D811020S

(12) **United States Design Patent**
Wills et al.

(10) **Patent No.:** **US D811,020 S**
(45) **Date of Patent:** **** Feb. 20, 2018**

(54) **PET TOY**

(71) Applicant: **Doskocil Manufacturing Company, Inc.**, Arlington, TX (US)

(72) Inventors: **Ryan Wills**, Carrollton, TX (US); **Kyle Burger**, Seattle, WA (US)

(73) Assignee: **DOSKOCIL MANUFACTURING COMPANY, INC.**, Arlington, TX (US)

(**) Term: **15 Years**

(21) Appl. No.: **29/572,983**

(22) Filed: **Aug. 2, 2016**

(51) **LOC (11) Cl.** **30-99**

(52) **U.S. Cl.**
USPC **D30/160**

(58) **Field of Classification Search**
USPC D30/160; D21/355, 366, 398, 455, 662, D21/681-682, 707, 710; D14/216; 446/236; D6/358
CPC A63H 33/18; A63B 41/00
See application file for complete search history.

(56) **References Cited**

U.S. PATENT DOCUMENTS

3,554,639	A *	1/1971	Robinson	G03B 23/06 353/117
3,680,953	A *	8/1972	Rube	G03B 23/06 206/456
3,920,324	A *	11/1975	Otto	G03B 23/06 353/117
3,977,519	A *	8/1976	Hultgren	G03B 23/06 206/216
4,026,645	A *	5/1977	Bown	G03B 23/06 206/565
4,216,611	A *	8/1980	Psyra	A63H 33/18 446/46

4,402,584	A *	9/1983	Palmer	G03B 23/06 206/456
4,973,284	A *	11/1990	Sassak	A63H 3/003 446/268
5,067,923	A *	11/1991	de Bourbon	A63H 33/18 434/258
5,125,734	A *	6/1992	Bridges	G03B 23/00 353/103
6,113,453	A *	9/2000	Stuffelbeam	A63H 33/18 446/236
6,174,214	B1 *	1/2001	Cooper	A63H 33/18 446/46
6,247,989	B1 *	6/2001	Neff	A63H 33/18 446/46
6,887,119	B2 *	5/2005	Bloeme	A63H 33/18 446/46
6,939,191	B1 *	9/2005	Wu	A63H 27/04 446/46
6,971,940	B2 *	12/2005	Cohen	A63H 33/18 446/47
7,096,826	B2 *	8/2006	Markham	A01K 15/025 119/707

(Continued)

Primary Examiner — Caron D Veynar
Assistant Examiner — Mehri F Bajoul
(74) *Attorney, Agent, or Firm* — Global IP Counselors, LLP

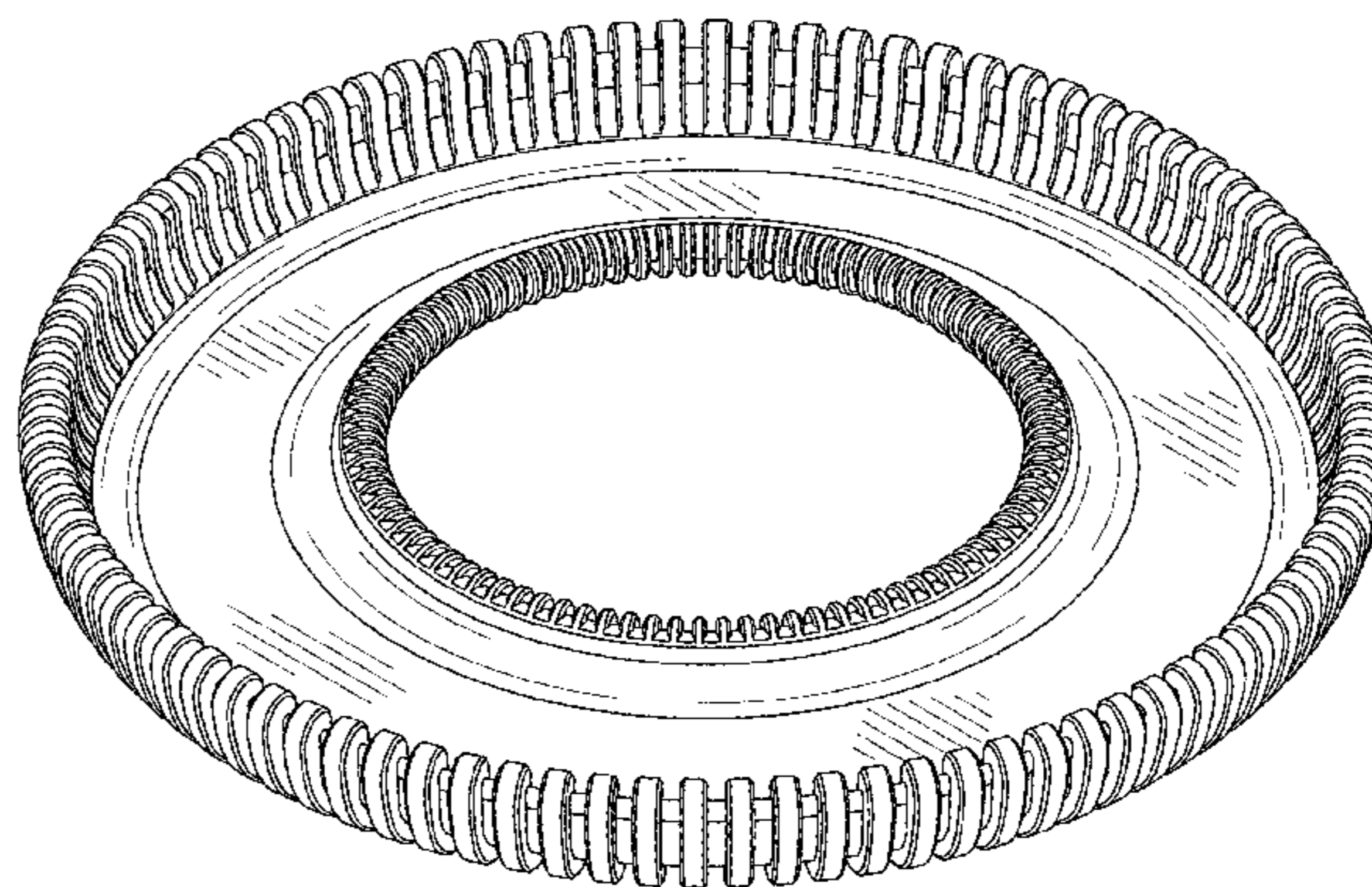
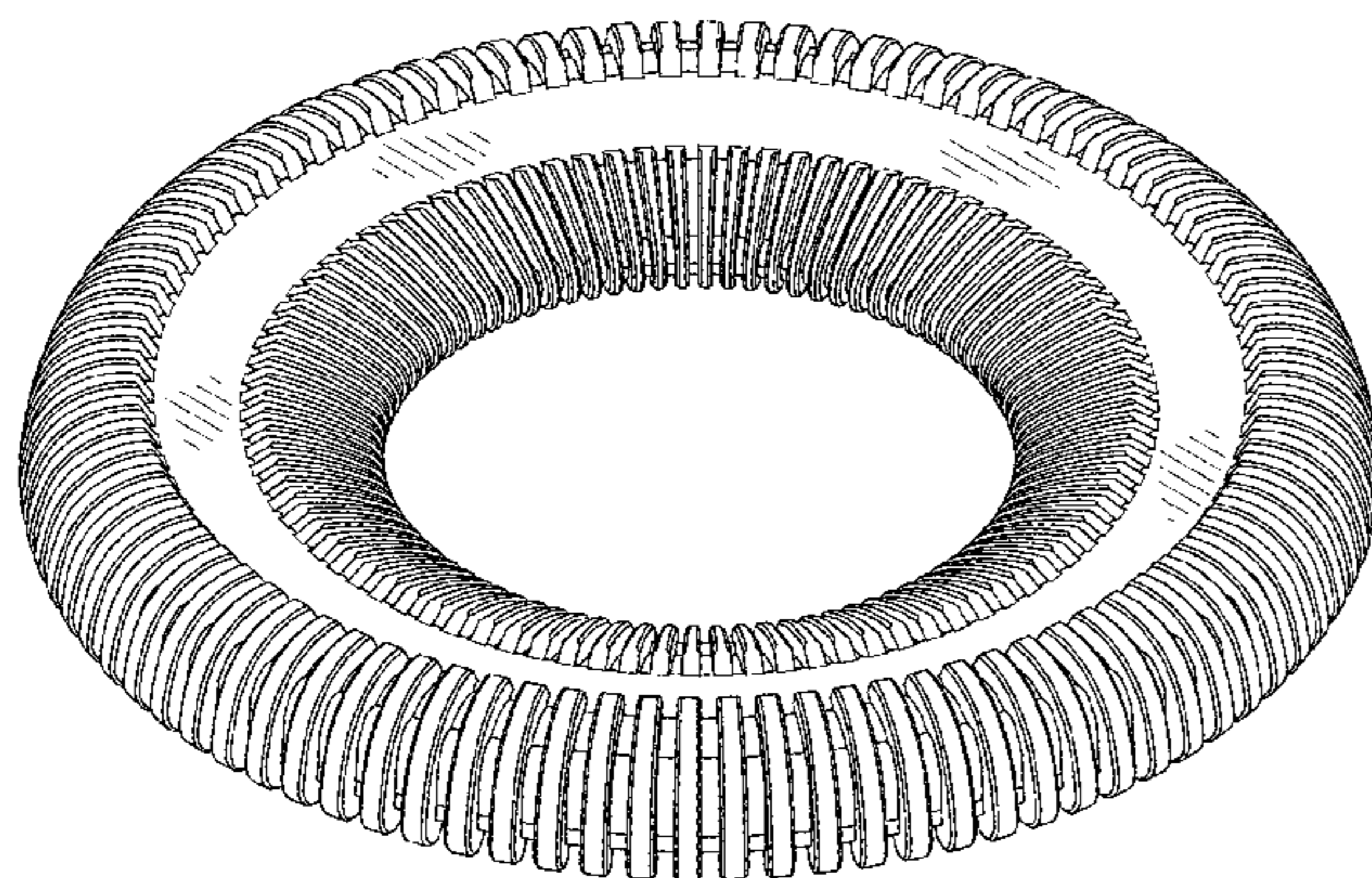
(57) **CLAIM**

The ornamental design for a pet toy, as shown and described.

DESCRIPTION

FIG. 1 is a top perspective view of a pet toy in accordance with our new design;
FIG. 2 is a bottom perspective view thereof;
FIG. 3 is a top view thereof;
FIG. 4 is a bottom view thereof;
FIG. 5 is a first side view thereof; and,
FIG. 6 is a second side view thereof.

1 Claim, 4 Drawing Sheets



(56)

References Cited

U.S. PATENT DOCUMENTS

7,198,536 B2 * 4/2007 Nuccio A63H 33/18
446/46
D587,768 S * 3/2009 Clark D21/398
D640,329 S * 6/2011 Oblack D21/444
D753,351 S * 4/2016 Anderson D30/160
2004/0107431 A1 * 6/2004 Wilcoxson A63H 33/18
720/718
2004/0205807 A1 * 10/2004 Wilcoxson A63H 33/18
720/720
2004/0259460 A1 * 12/2004 Persall, Sr. A01K 15/026
446/20
2006/0160457 A1 * 7/2006 Moore A63H 33/18
446/47
2006/0189246 A1 * 8/2006 Stark A63H 33/18
446/46
2007/0072508 A1 * 3/2007 Hsu A63H 33/18
446/48
2007/0197318 A1 * 8/2007 Serrano A63B 65/10
473/588
2009/0004945 A1 * 1/2009 deLassus A63H 33/18
446/46
2011/0124262 A1 * 5/2011 Buker A63H 33/18
446/46
2014/0053787 A1 * 2/2014 Oblack A01K 15/025
119/709
2015/0038046 A1 * 2/2015 Lindberg A63H 33/18
446/46
2015/0319562 A1 * 11/2015 Martin A63B 67/06
340/8.1
2016/0316720 A1 * 11/2016 Zhang B29C 35/02

* cited by examiner

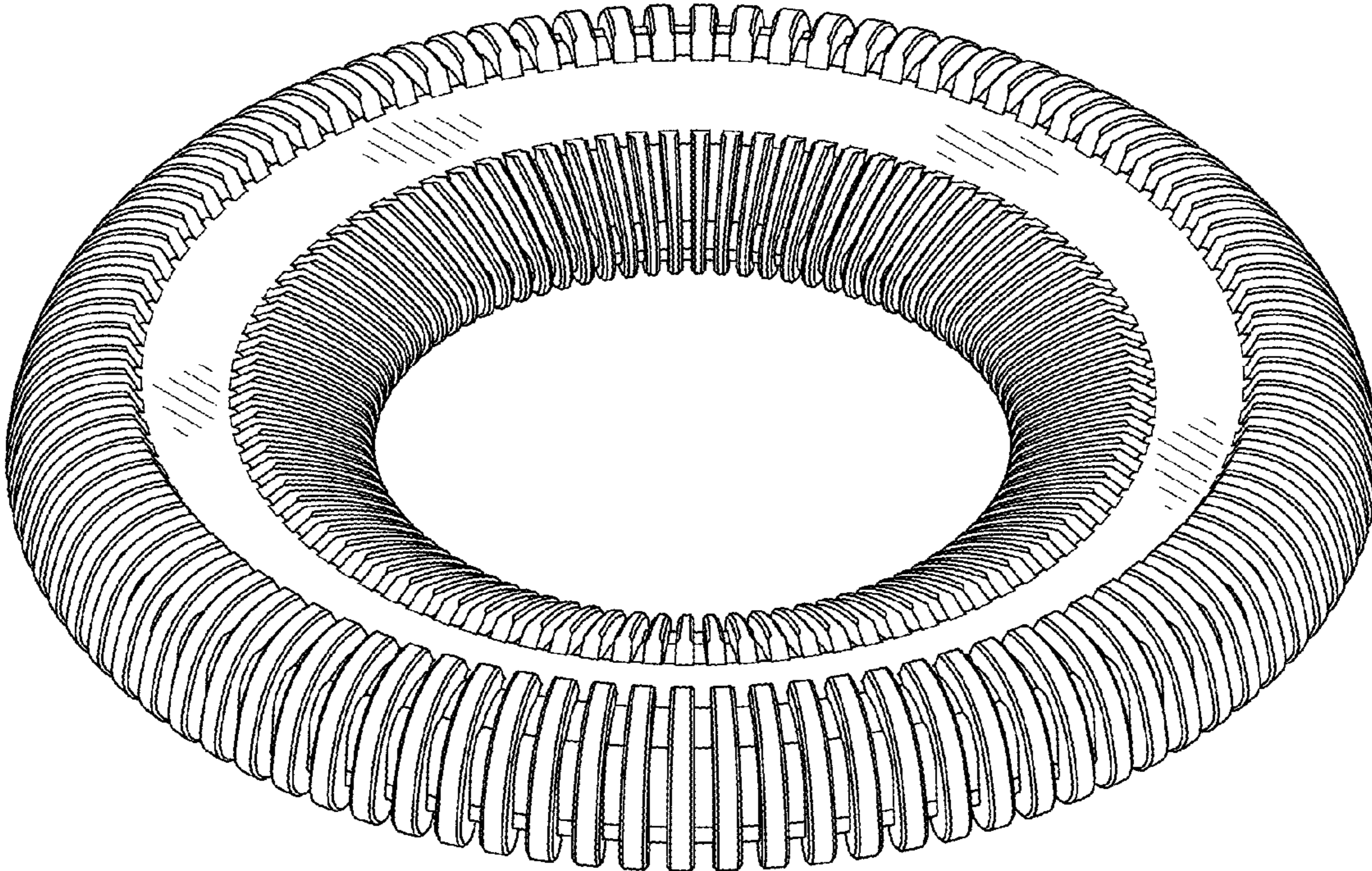


FIG. 1

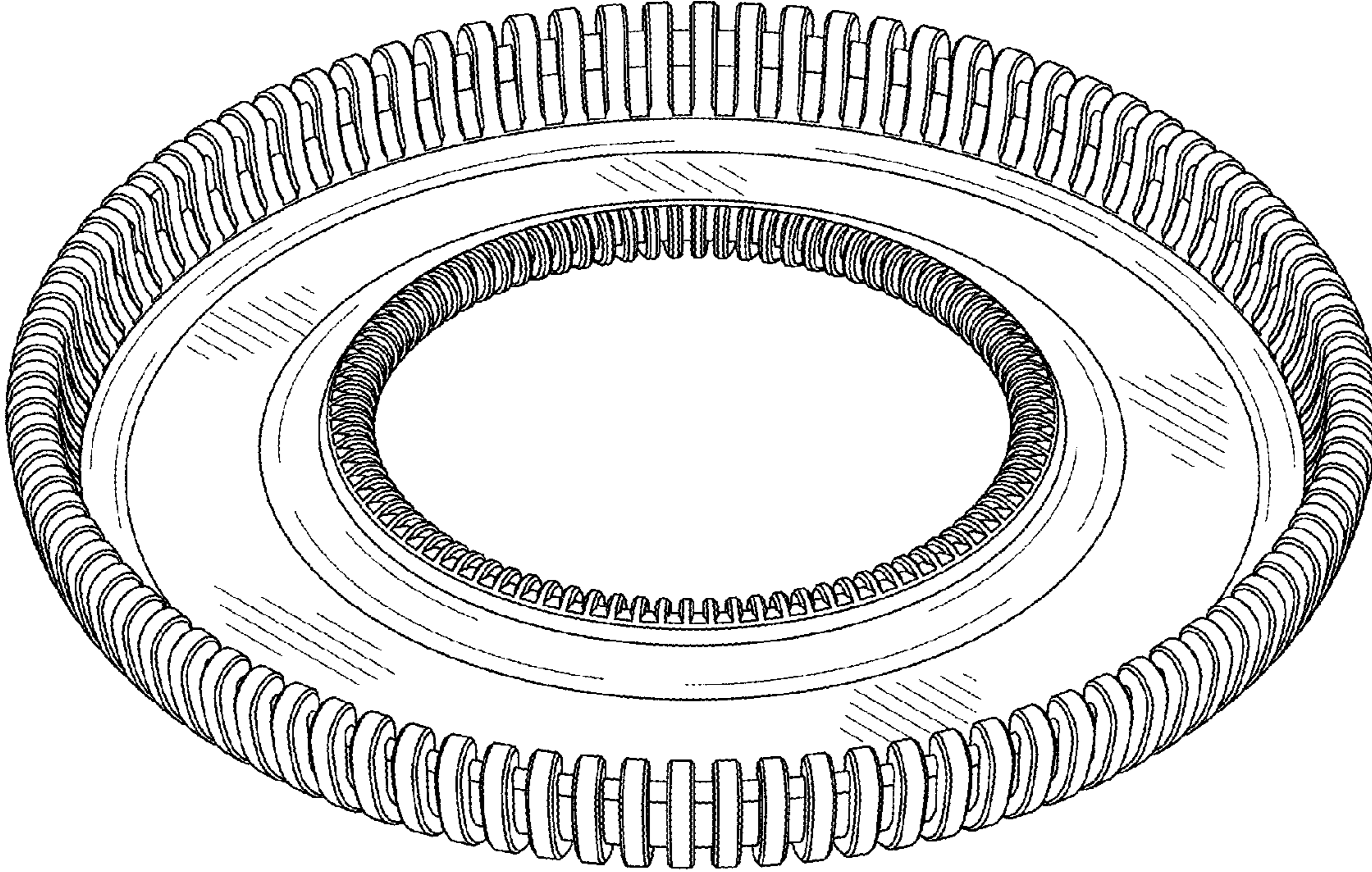


FIG. 2

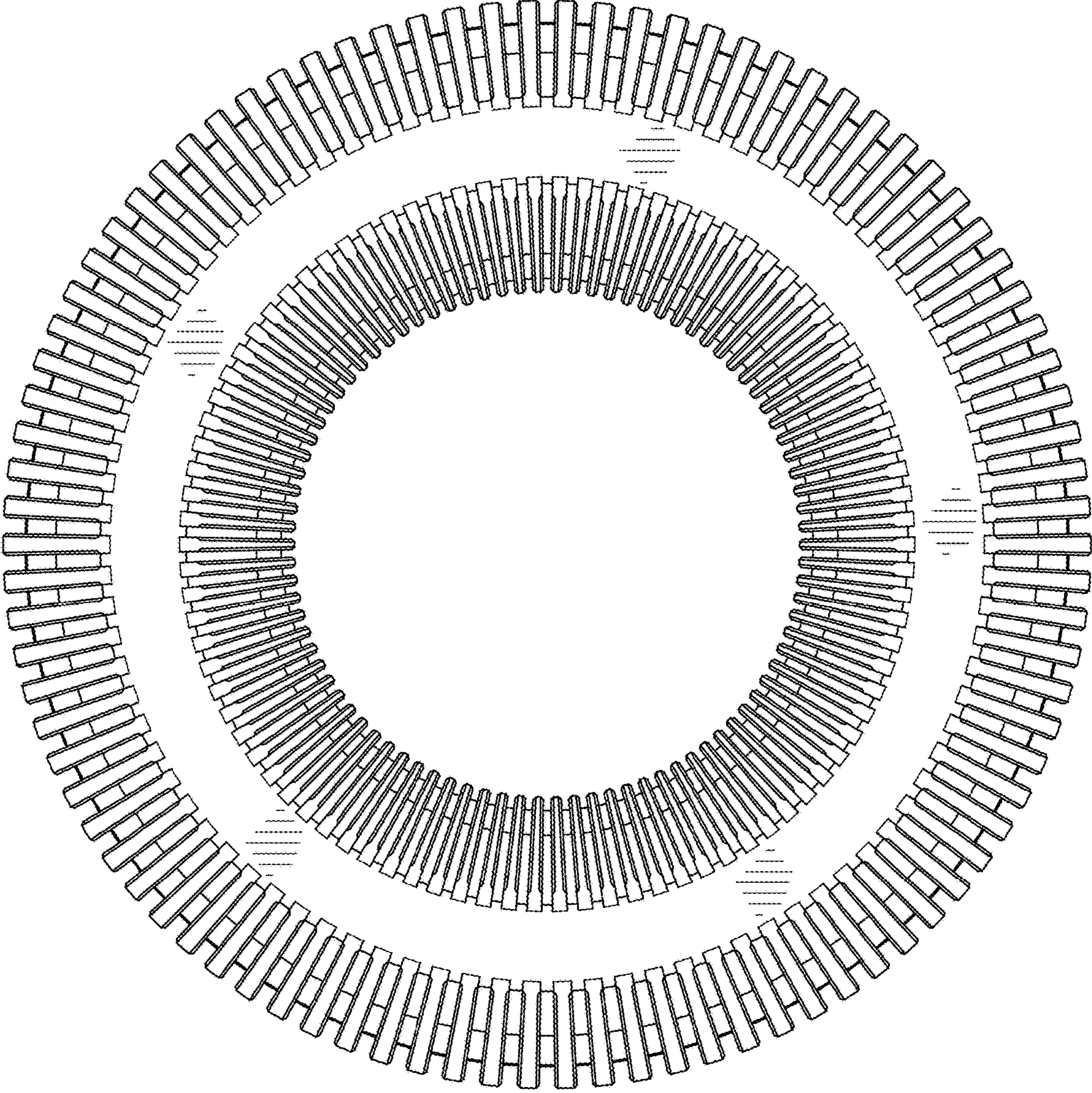


FIG. 3

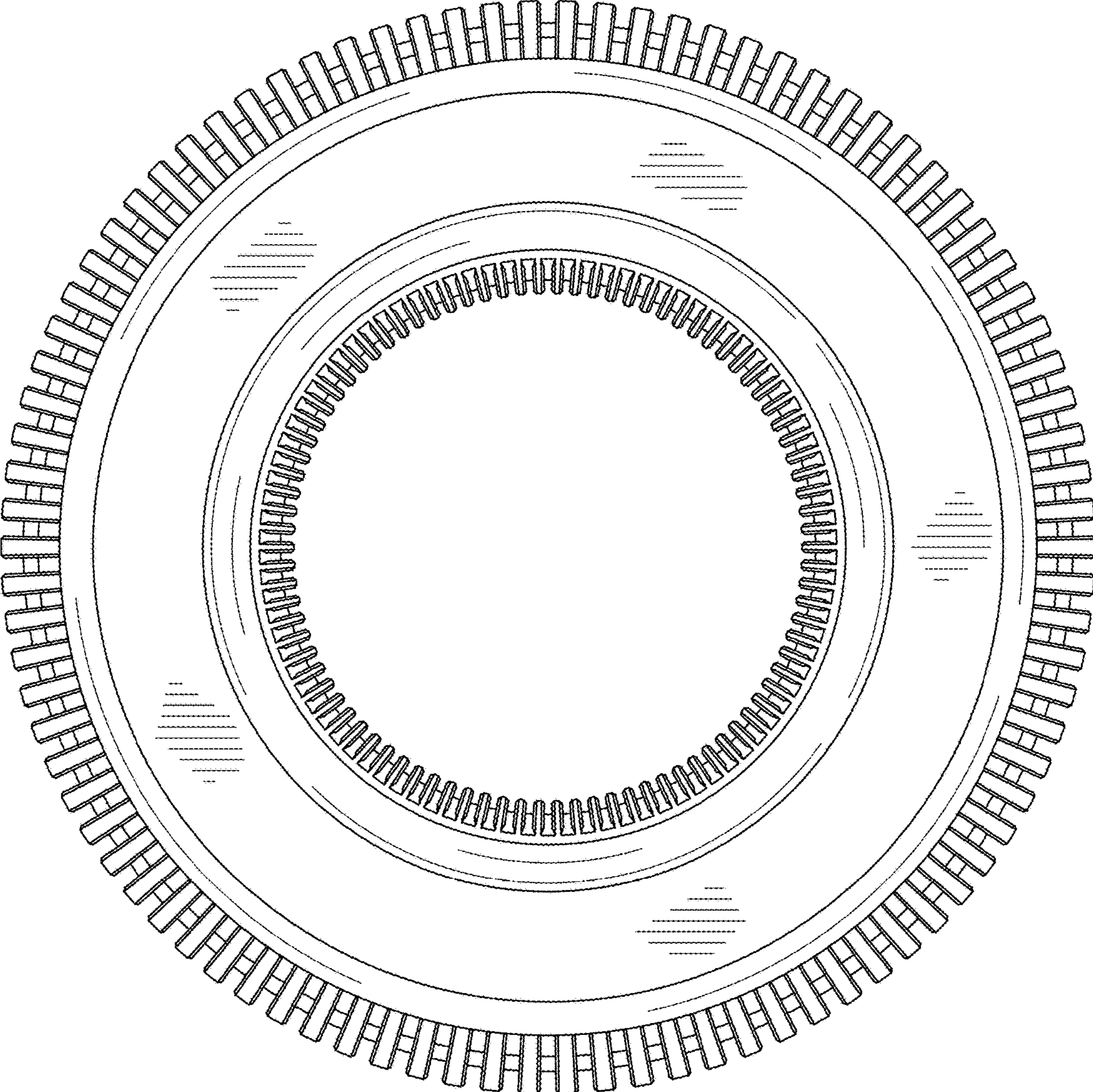


FIG. 4

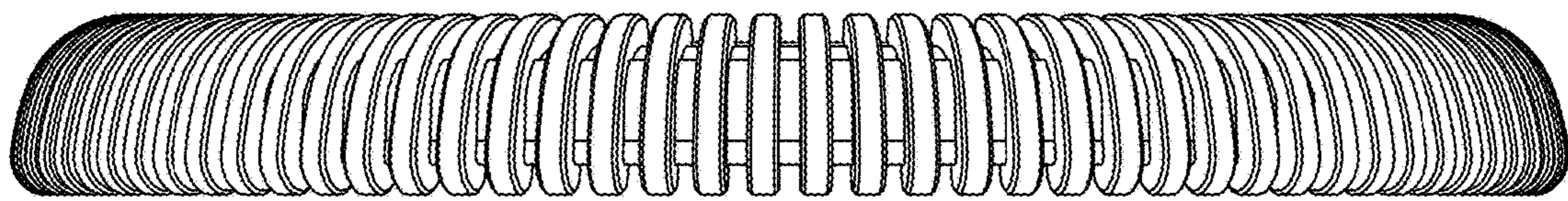


FIG. 5

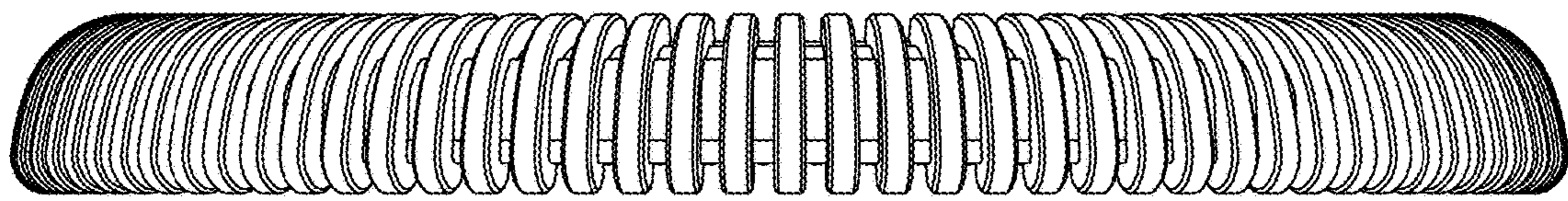


FIG. 6