



US00D811019S

(12) **United States Design Patent** (10) **Patent No.:** **US D811,019 S**
Alton (45) **Date of Patent:** **** Feb. 20, 2018**

(54) **TOY FOR ANIMALS**
(71) Applicant: **David Alton**, Bromsgrove (GB)
(72) Inventor: **David Alton**, Bromsgrove (GB)
(**) Term: **15 Years**
(21) Appl. No.: **29/570,955**
(22) Filed: **Jul. 13, 2016**
(30) **Foreign Application Priority Data**
Jan. 15, 2016 (EM) 002947135-0001
(51) **LOC (11) Cl.** **30-99**
(52) **U.S. Cl.**
USPC **D30/160; D21/681; D21/682**
(58) **Field of Classification Search**
USPC **D30/160; D21/681-682; D11/7, 14, 43, D11/49, 81; 119/707, 709, 801, 868; D22/108**
CPC **A63B 21/072; A63B 21/4035; A63B 23/1236; A01K 1/00; A01K 15/00**
See application file for complete search history.

(56) **References Cited**
U.S. PATENT DOCUMENTS
D268,437 S * 3/1983 Giordano D21/682
5,085,320 A * 2/1992 Scott A63B 47/007
150/107
D481,771 S * 11/2003 Anderson A63B 21/072
D21/681
D522,594 S * 6/2006 Donahue D21/682
D537,700 S * 3/2007 Demar D8/107
D616,949 S * 6/2010 Wang D21/682
D628,251 S * 11/2010 Krull D21/681
D654,971 S * 2/2012 Januszek D21/682
D683,803 S * 6/2013 Childs D21/681
D685,866 S * 7/2013 Kinsbourne D21/682
D715,177 S * 10/2014 Vaughan D11/81

8,979,719 B2 * 3/2015 Januszek A63B 21/072
482/106
D782,894 S * 4/2017 DePietro D8/107
D789,461 S * 6/2017 Magloire D21/682
2009/0093348 A1 * 4/2009 Wang A63B 21/0603
482/93
2010/0210427 A1 * 8/2010 Yu A63B 21/075
482/93
2010/0255960 A1 * 10/2010 Kessler A63B 21/072
482/93
2011/0275494 A1 * 11/2011 Radi A63B 21/0602
482/93
2011/0306475 A1 * 12/2011 Caswell A63B 21/0601
482/93
2012/0322631 A1 * 12/2012 Januszek A63B 21/072
482/108
2013/0012367 A1 * 1/2013 Williams A63B 21/072
482/108
2013/0157814 A1 * 6/2013 Nowicki A63B 21/4049
482/93

(Continued)

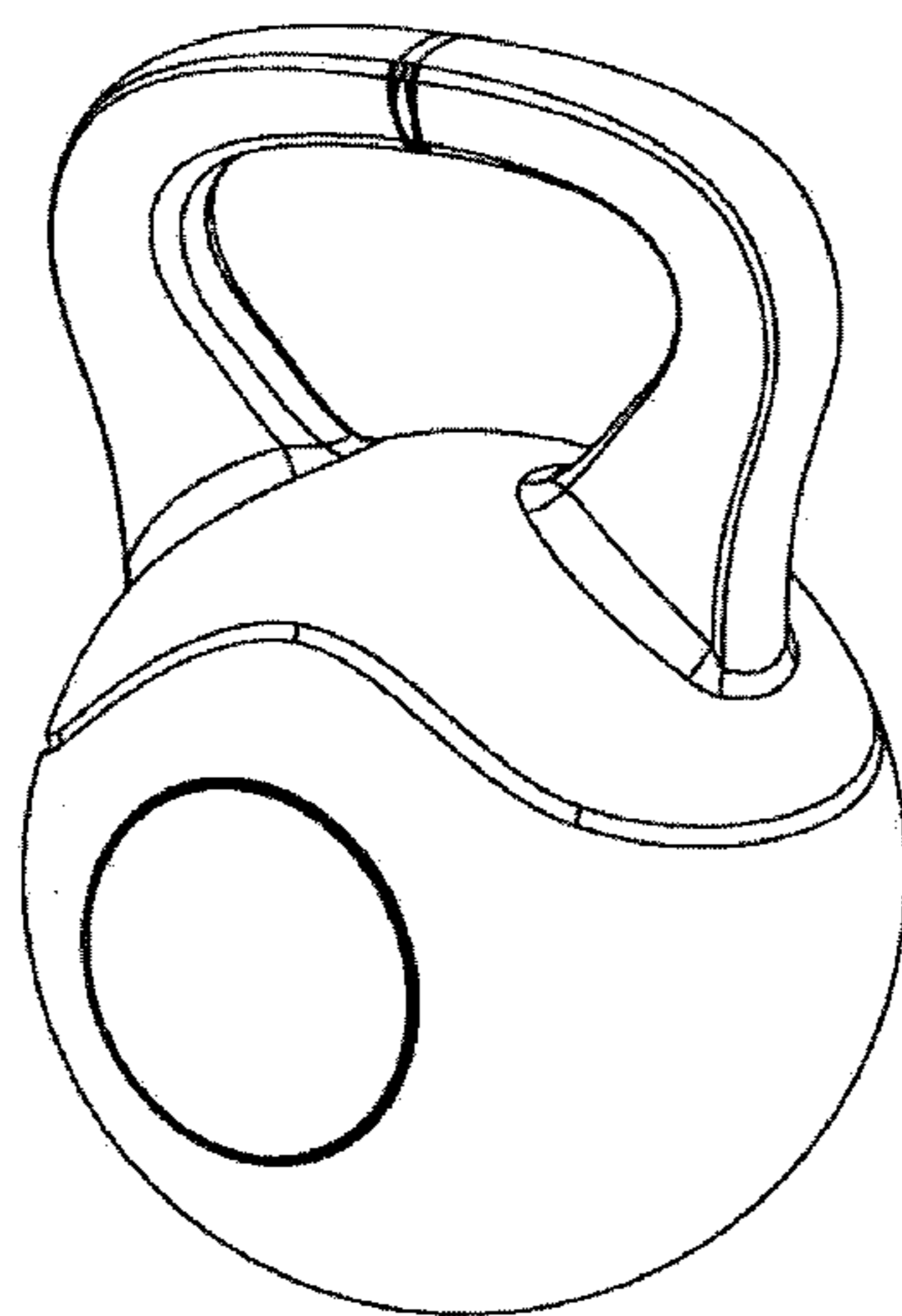
Primary Examiner — Mary Ann Calabrese
Assistant Examiner — Mehri Bajoul
(74) *Attorney, Agent, or Firm* — Ladas & Parry LLP

(57) **CLAIM**
I claim the ornamental design for a toy for animals, as shown and described.

DESCRIPTION

FIG. 1 is a perspective view of my new design for a toy for animals;
FIG. 2 is a front view thereof;
FIG. 3 is a top view thereof;
FIG. 4 is a right side view thereof;
FIG. 5 is a left side view thereof;
FIG. 6 is a rear view thereof; and,
FIG. 7 is a bottom view thereof.
The toy for animals has the shape and appearance of a dumbbell.

1 Claim, 4 Drawing Sheets



(56)

References Cited

U.S. PATENT DOCUMENTS

2013/0244843 A1* 9/2013 Burwell A63B 21/075
482/108
2016/0236029 A1* 8/2016 Kaszer A63B 21/0726

* cited by examiner

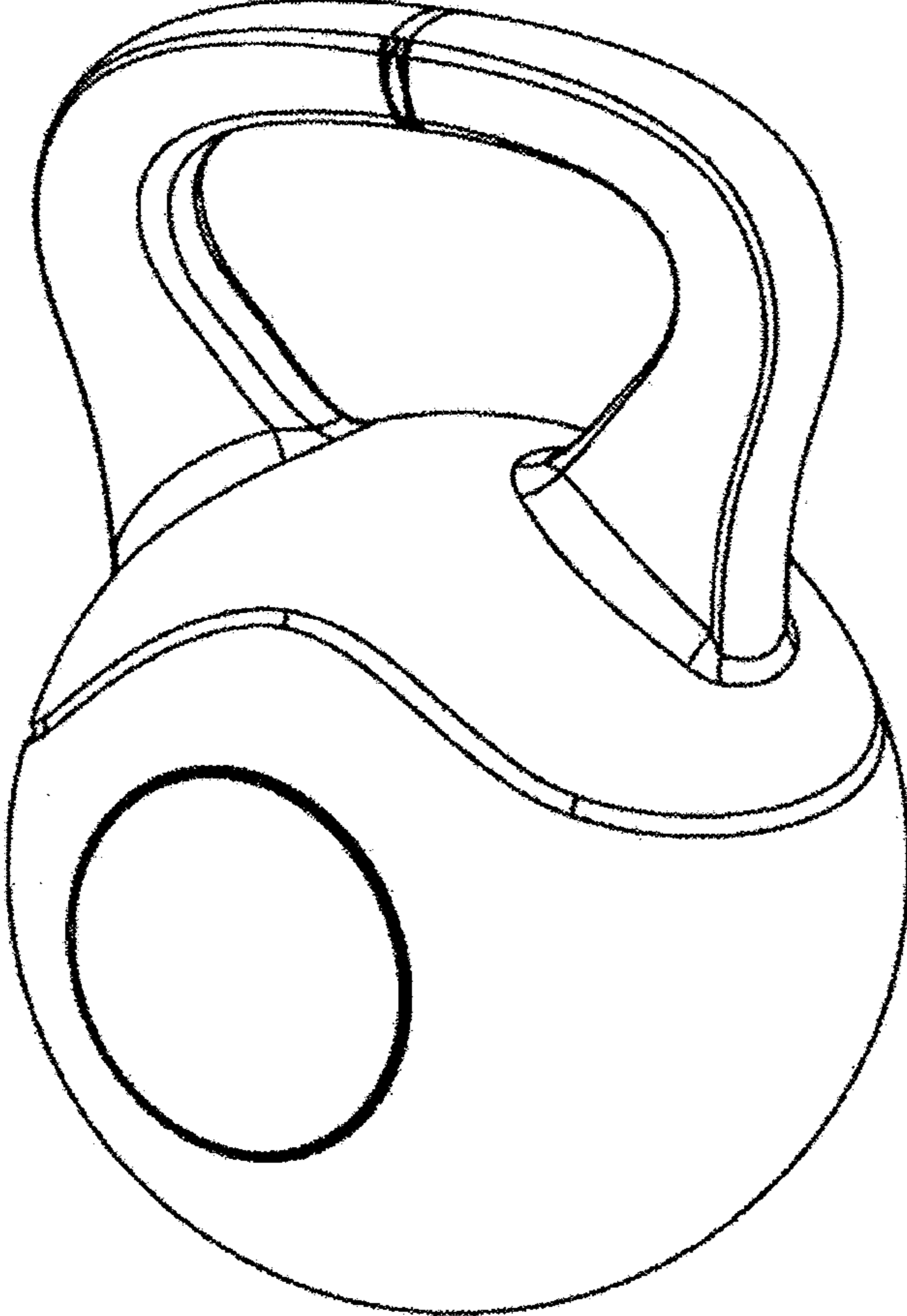


FIG. 1

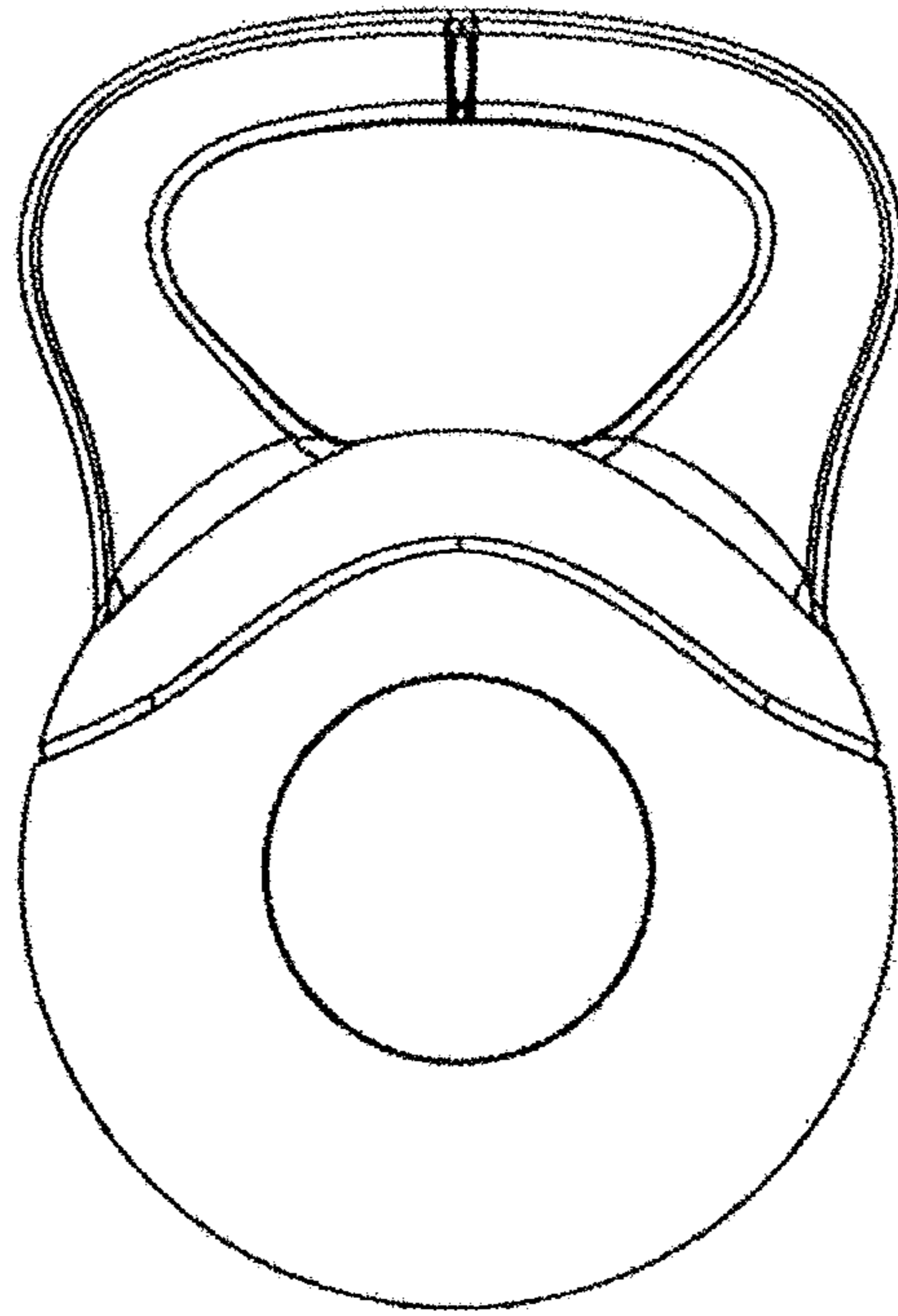


FIG. 2

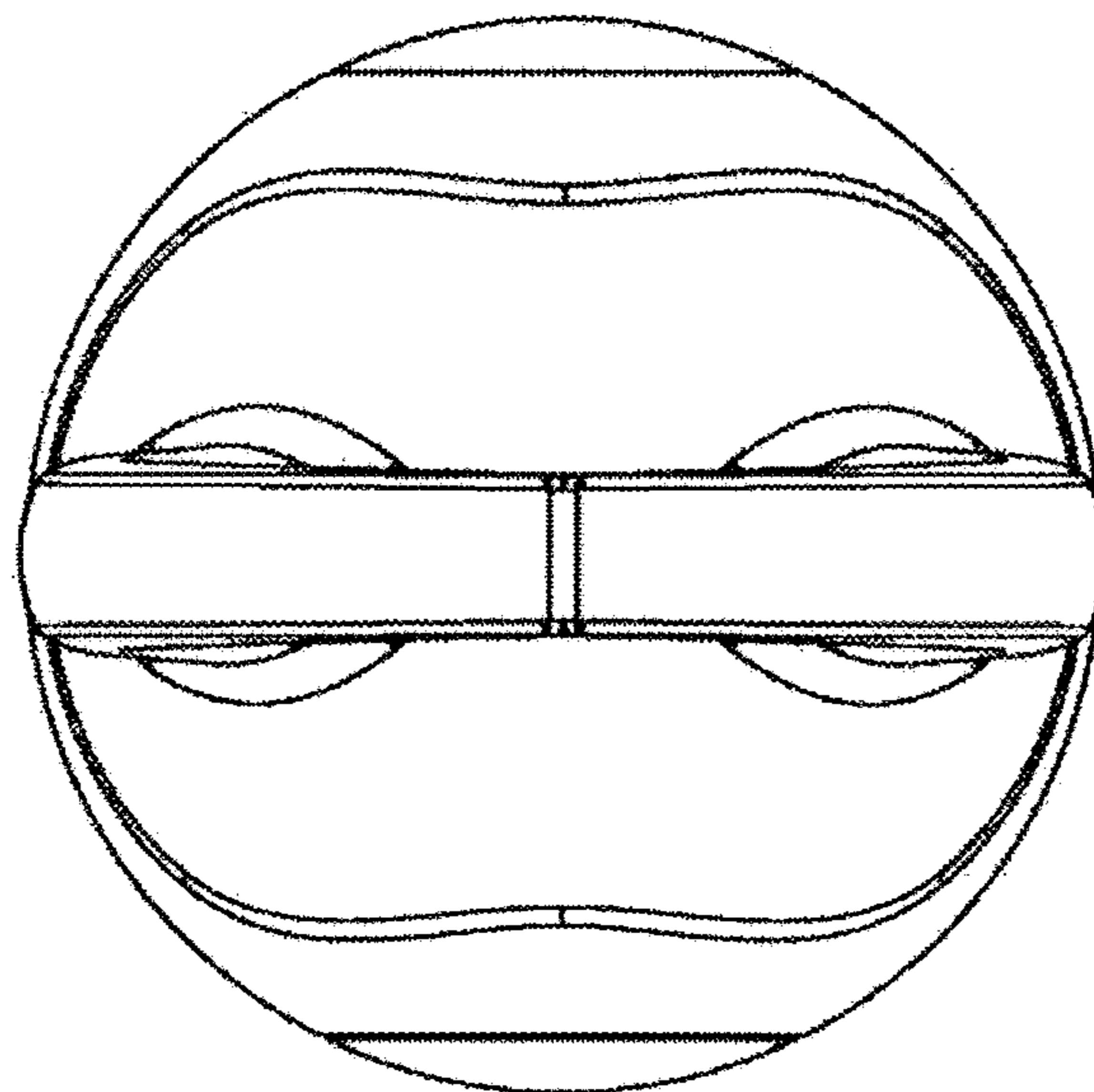


FIG. 3

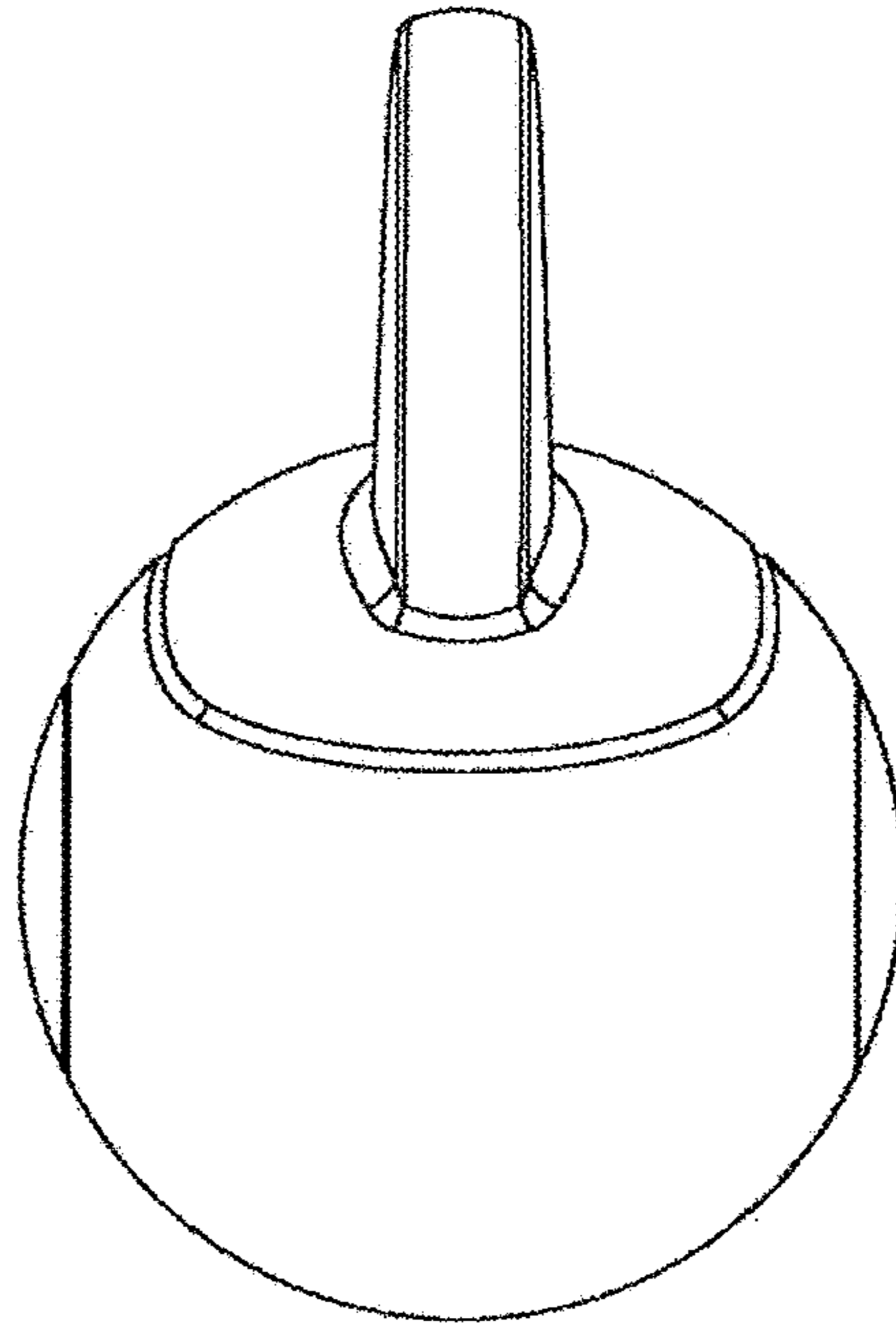


FIG. 4

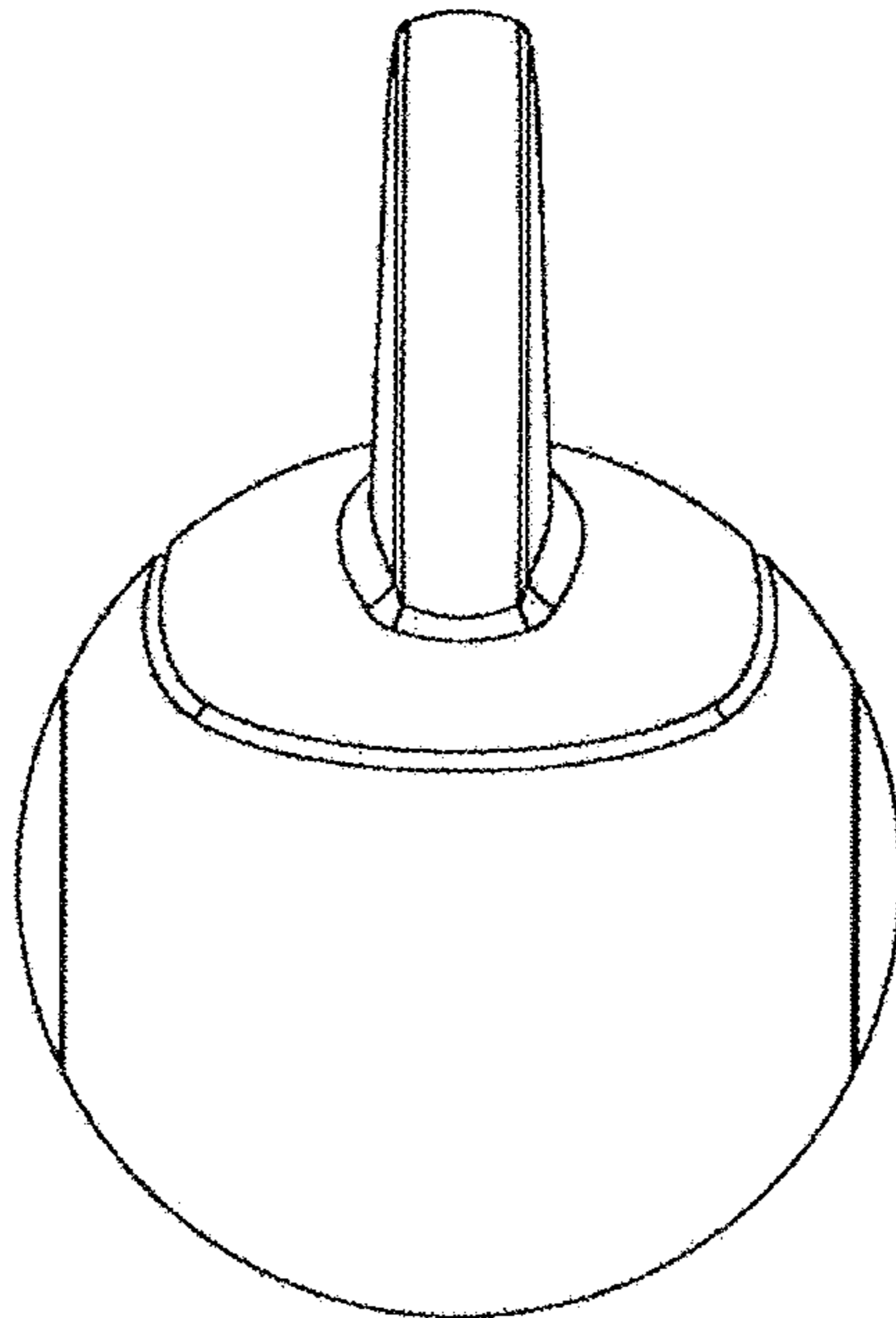


FIG. 5

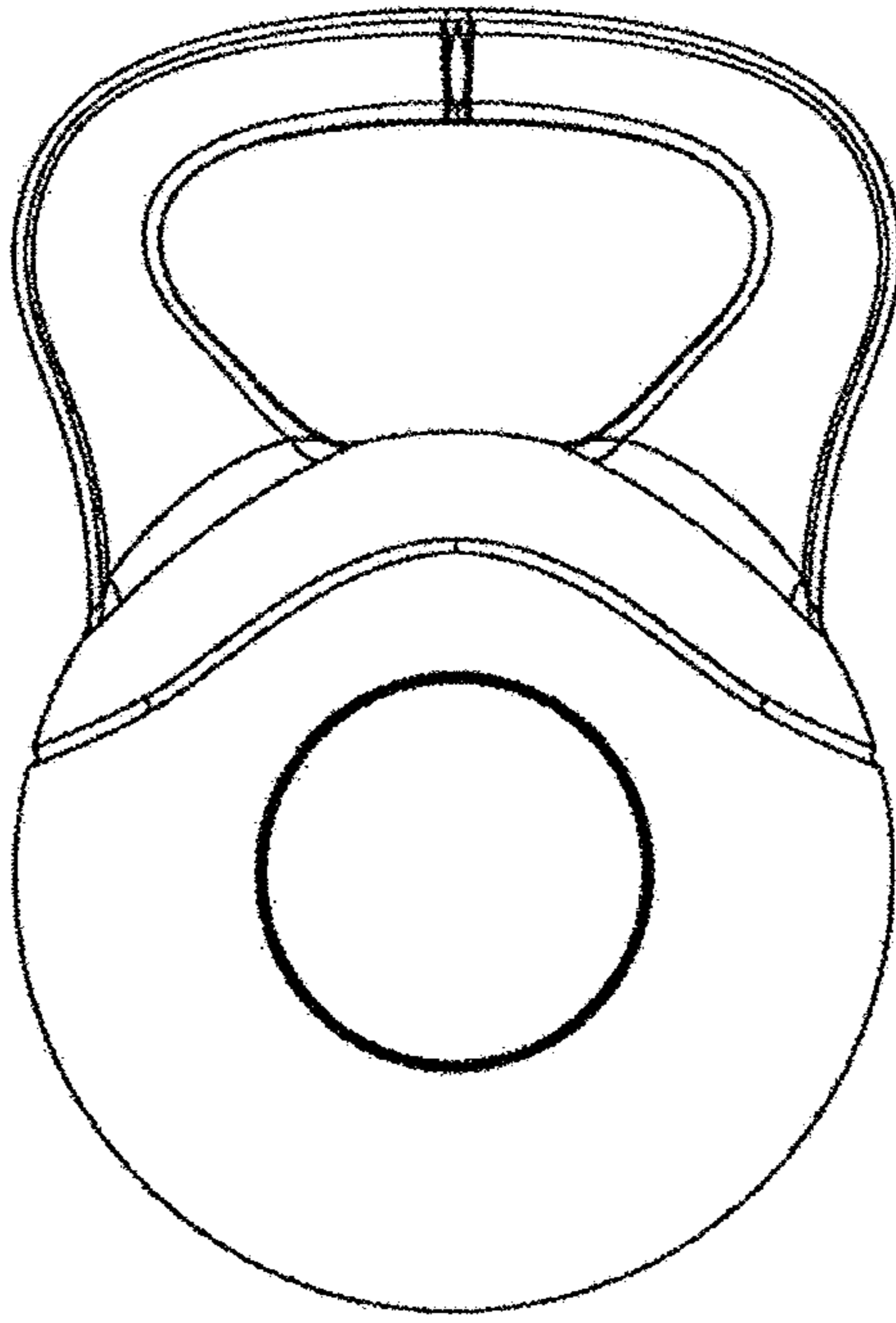


FIG. 6

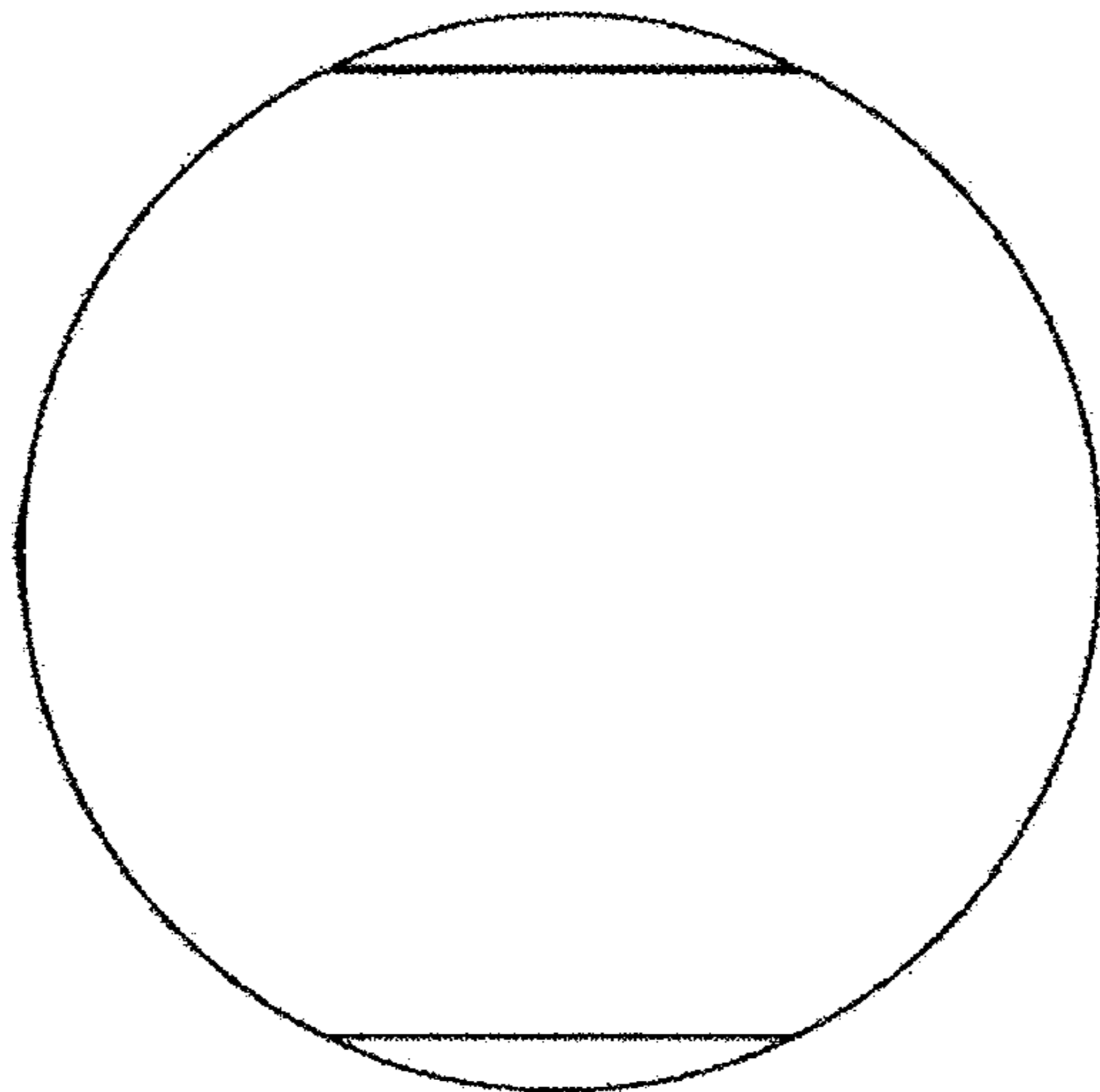


FIG. 7