



US00D811014S

(12) **United States Design Patent**
Thorn

(10) **Patent No.:** **US D811,014 S**
(45) **Date of Patent:** **** Feb. 20, 2018**

(54) **BIRDFEEDER**

(71) Applicants: **OAKTHRIFT CORPORATION LTD**,
Hertfordshire (GB); **James John**
Thorn, Rochford (GB)

(72) Inventor: **James John Thorn**, Rochford (GB)

(73) Assignee: **OAKTHRIFT CORPORATION**
LTD., Hertfordshire (GB)

(**) Term: **15 Years**

(21) Appl. No.: **29/581,662**

(22) Filed: **Oct. 20, 2016**

(51) **LOC (11) Cl.** **30-03**

(52) **U.S. Cl.**
USPC **D30/127**

(58) **Field of Classification Search**
USPC D30/121, 124, 126–129, 133, 199,
D30/110–112, 123, 125; 119/52.2, 51.5,
119/61.5, 57.8, 57.9, 52.3, 61.1, 531, 63,
119/428–435, 52.4, 55, 61.3, 69.5, 75, 76;
47/67, 83; 248/318; D11/164, 152;
211/128.1; D27/123; D6/495, 460, 461,
D6/476, 405
CPC A01K 39/00; A01K 39/01; A01K 39/0113;
A01K 39/012; A01K 39/06; A01K
5/0225; A01K 5/00
See application file for complete search history.

5,205,065 A * 4/1993 Wilson A01M 1/08
43/107

D343,030 S * 1/1994 Harwick, Jr. D30/128

D356,849 S * 3/1995 Butler D22/120

5,533,467 A * 7/1996 Lancia A01K 39/012
119/57.9

D440,677 S * 4/2001 Long D26/40

D450,867 S * 11/2001 Long D26/37

6,662,489 B2 * 12/2003 Spiro A01M 1/023
43/107

D490,576 S * 5/2004 Rich D30/128

D492,806 S * 7/2004 Hsu D26/40

6,854,208 B1 * 2/2005 Chuang A01M 1/2027
261/84

6,920,716 B2 * 7/2005 Kollars, Jr. A01M 1/023
43/107

D524,902 S * 7/2006 Masters D22/122

D634,808 S * 3/2011 Tsai D22/122

D650,105 S * 12/2011 Crawford D26/41

D675,282 S * 1/2013 Frisch D22/122

D678,627 S * 3/2013 Carter D30/127

D745,227 S * 12/2015 Thorn D30/127

(Continued)

Primary Examiner — Susan Moon Lee
(74) *Attorney, Agent, or Firm* — Weiss & Moy, P.C.;
Jeffrey D. Moy

(57) **CLAIM**

The ornamental design for a birdfeeder, as shown and described.

DESCRIPTION

FIG. 1 is a perspective view of the birdfeeder;
FIG. 2 is a bottom perspective view of the birdfeeder;
FIG. 3 is a front perspective view of the birdfeeder;
FIG. 4 is a side view of the birdfeeder, the opposing side
being a mirror image thereof;
FIG. 5 is a top view of the birdfeeder;
FIG. 6 is a bottom view of the birdfeeder; and,
FIG. 7 is another perspective view of the birdfeeder.

1 Claim, 7 Drawing Sheets

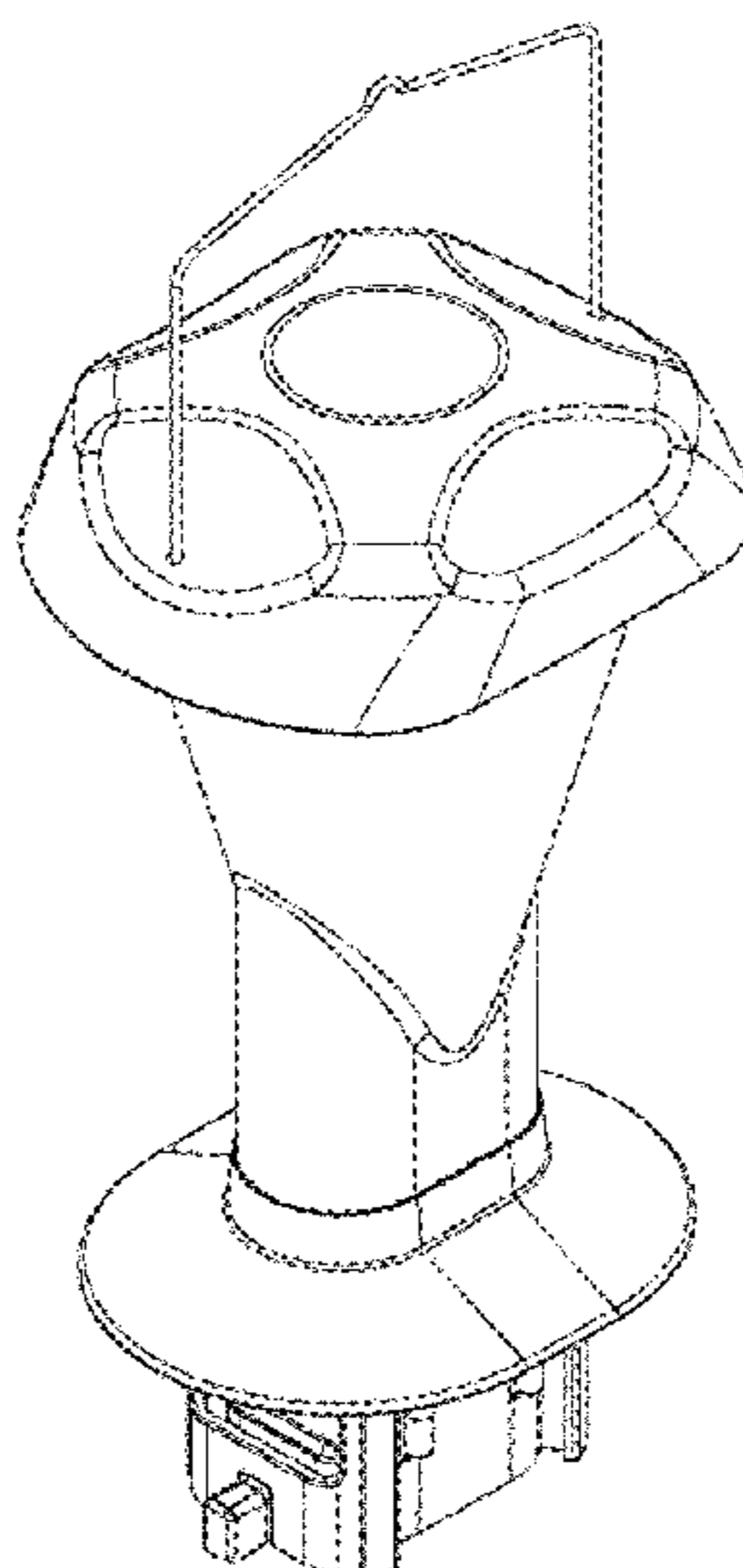
(56) **References Cited**
U.S. PATENT DOCUMENTS

1,534,375 A * 4/1925 Foucht A01K 39/012
119/52.4

D193,558 S * 9/1962 Parry D11/148

5,044,319 A * 9/1991 Blasbalg A01K 39/012
119/57.9

5,168,830 A * 12/1992 Deglis A01K 45/00
119/428



(56)

References Cited

U.S. PATENT DOCUMENTS

D788,384 S * 5/2017 Patrick D30/127
 2003/0033985 A1 * 2/2003 Hardison A01K 39/00
 119/57.9
 2003/0226514 A1 * 12/2003 Cote A01K 39/0113
 119/57.9
 2005/0005865 A1 * 1/2005 Rich A01K 39/012
 119/52.2
 2006/0112892 A1 * 6/2006 Hunter A01K 39/012
 119/57.8
 2006/0288944 A1 * 12/2006 Hoff A01K 39/0113
 119/57.9
 2007/0095295 A1 * 5/2007 Hepp A01K 39/012
 119/57.8
 2008/0105206 A1 * 5/2008 Rich A01K 39/0113
 119/57.9
 2012/0234249 A1 * 9/2012 Gaze A01K 39/012
 119/57.8
 2013/0284100 A1 * 10/2013 MacKelvie A01K 39/01
 119/57.8
 2014/0261200 A1 * 9/2014 Tu A01K 39/012
 119/57.8
 2014/0360435 A1 * 12/2014 Cote A01K 39/012
 119/57.8
 2015/0122186 A1 * 5/2015 Donegan A01K 39/0113
 119/51.5
 2015/0136032 A1 * 5/2015 Cote A01K 39/012
 119/57.8
 2017/0172112 A1 * 6/2017 Thorn A01K 39/0113

* cited by examiner

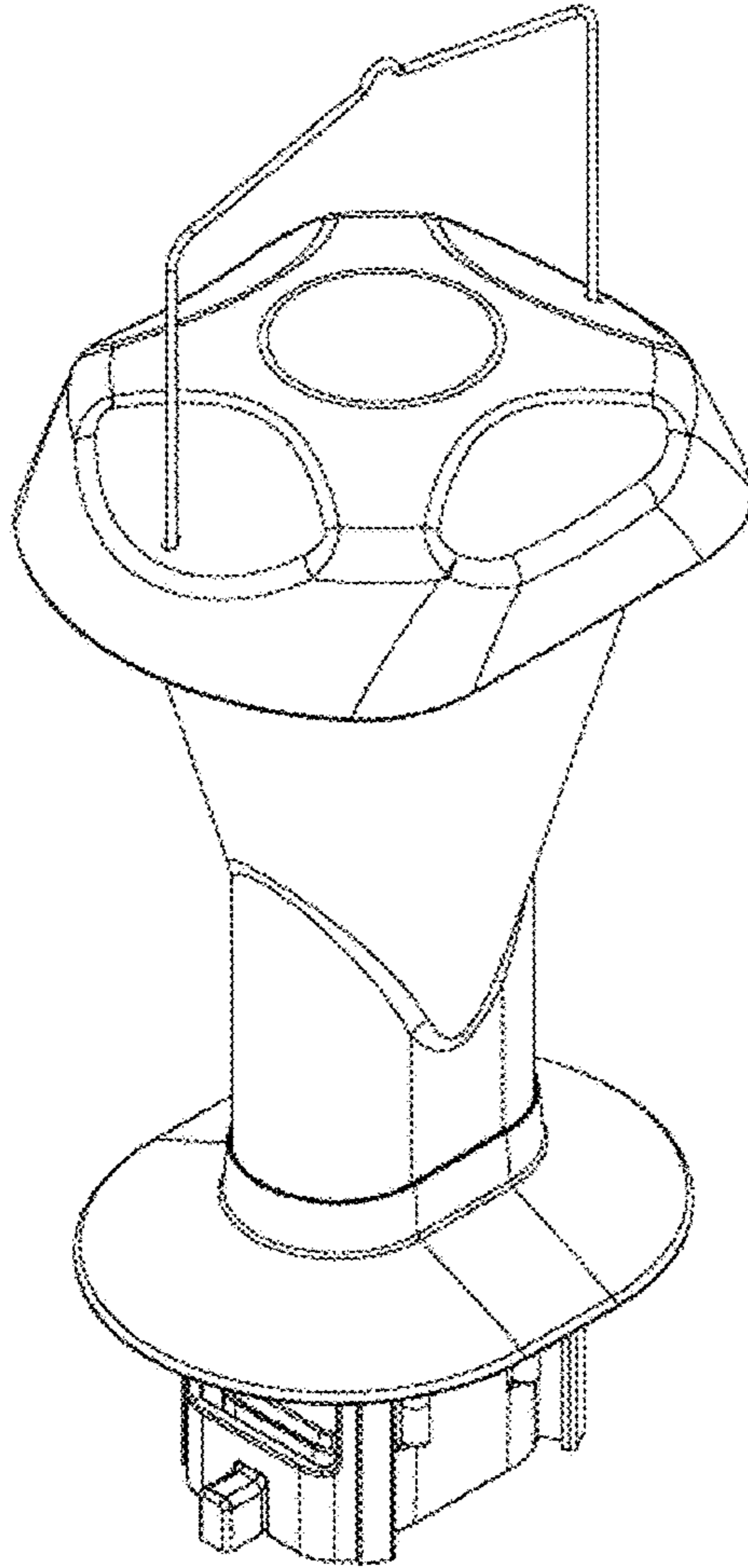


FIG. 1

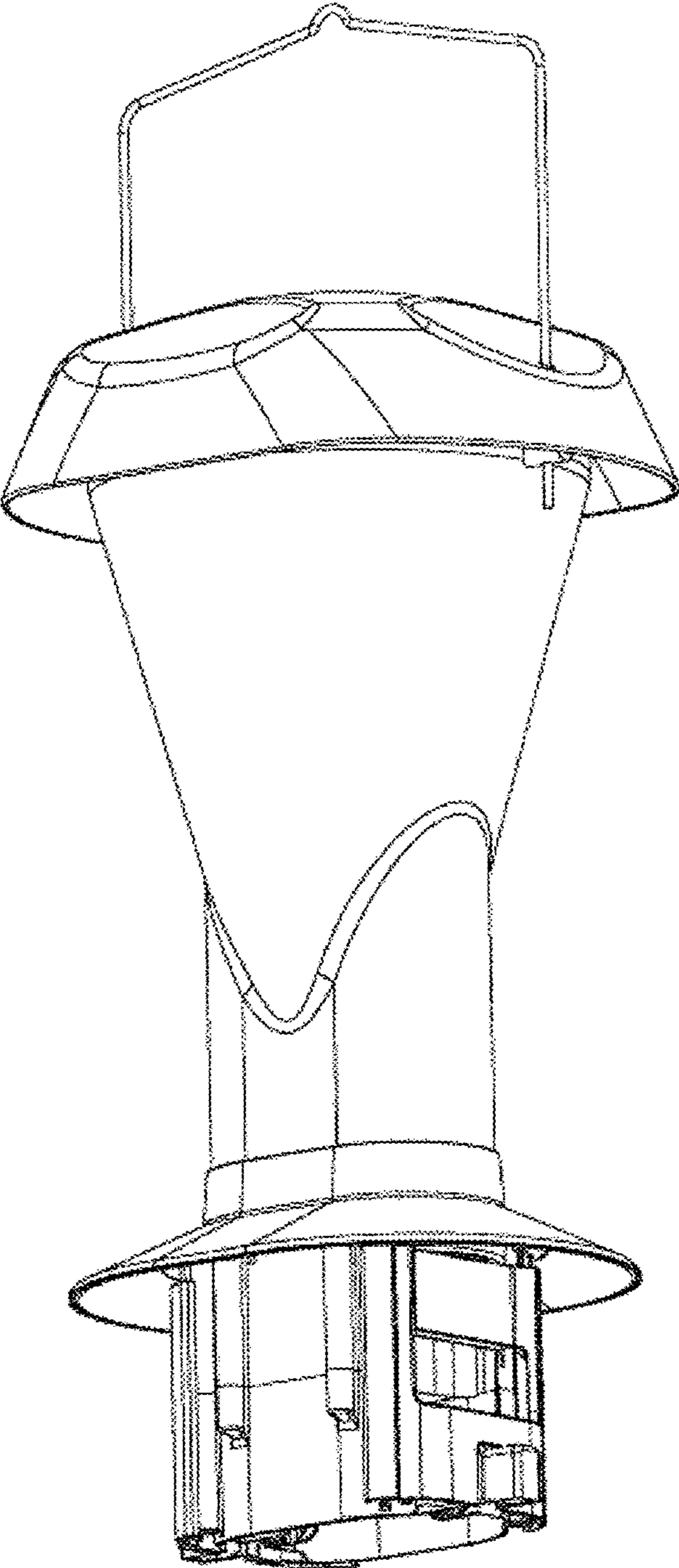


FIG. 2

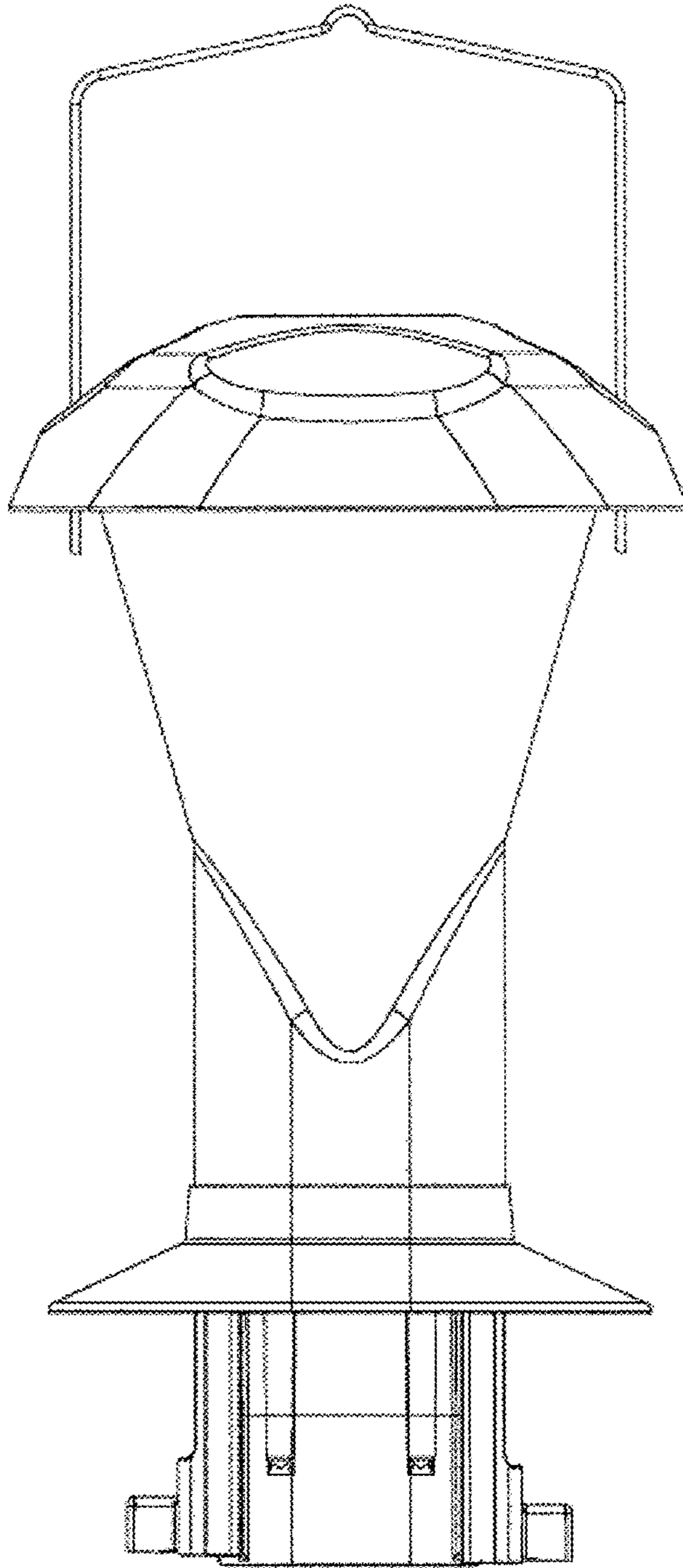


FIG. 3

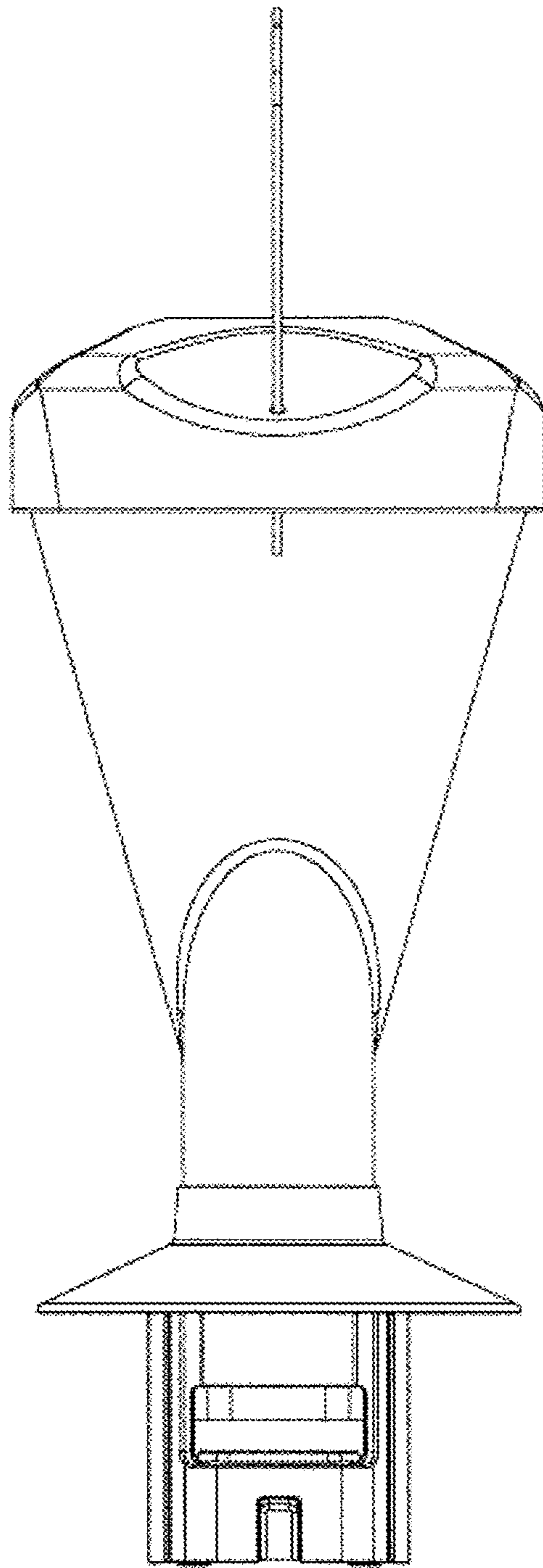


FIG. 4

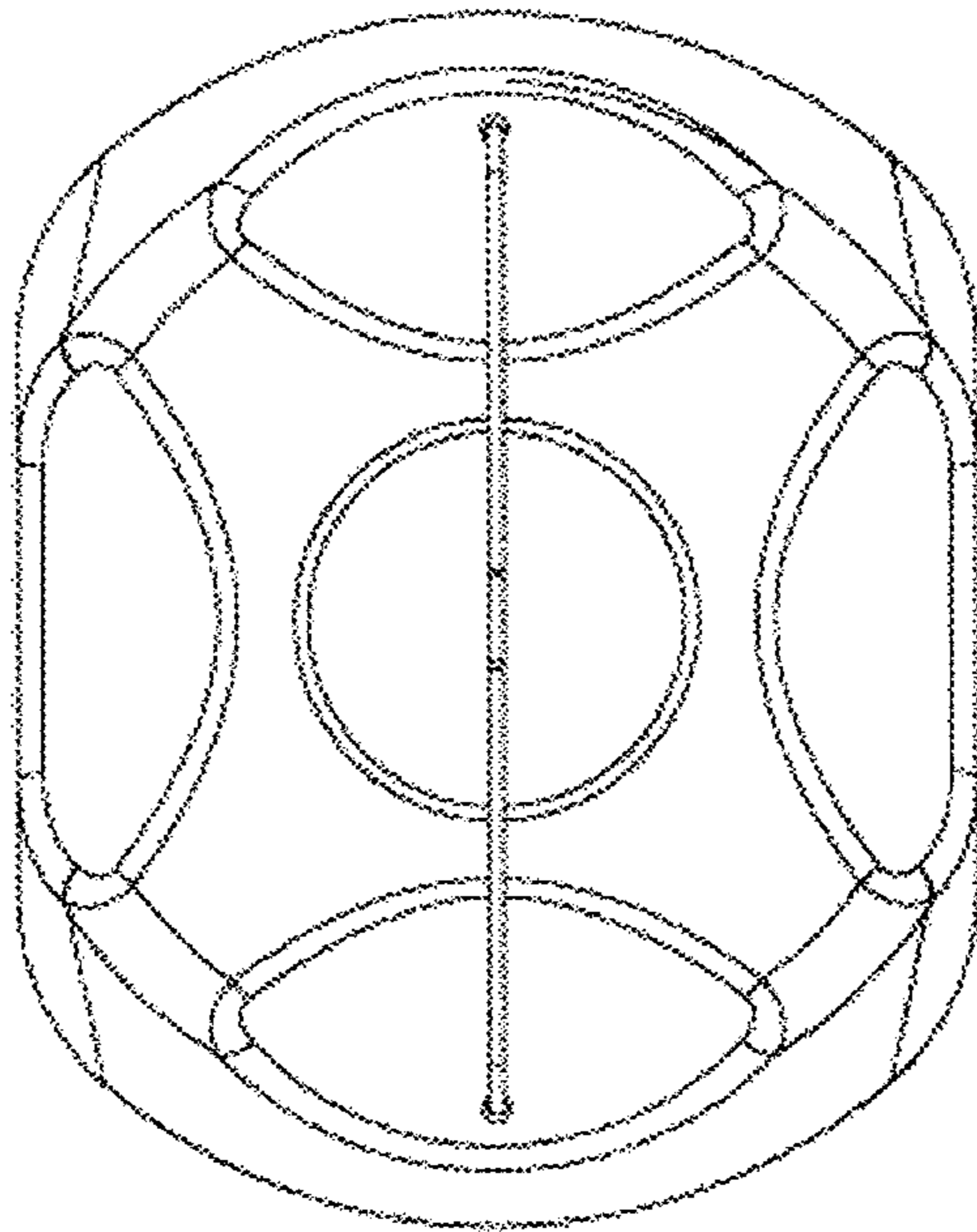


FIG. 5

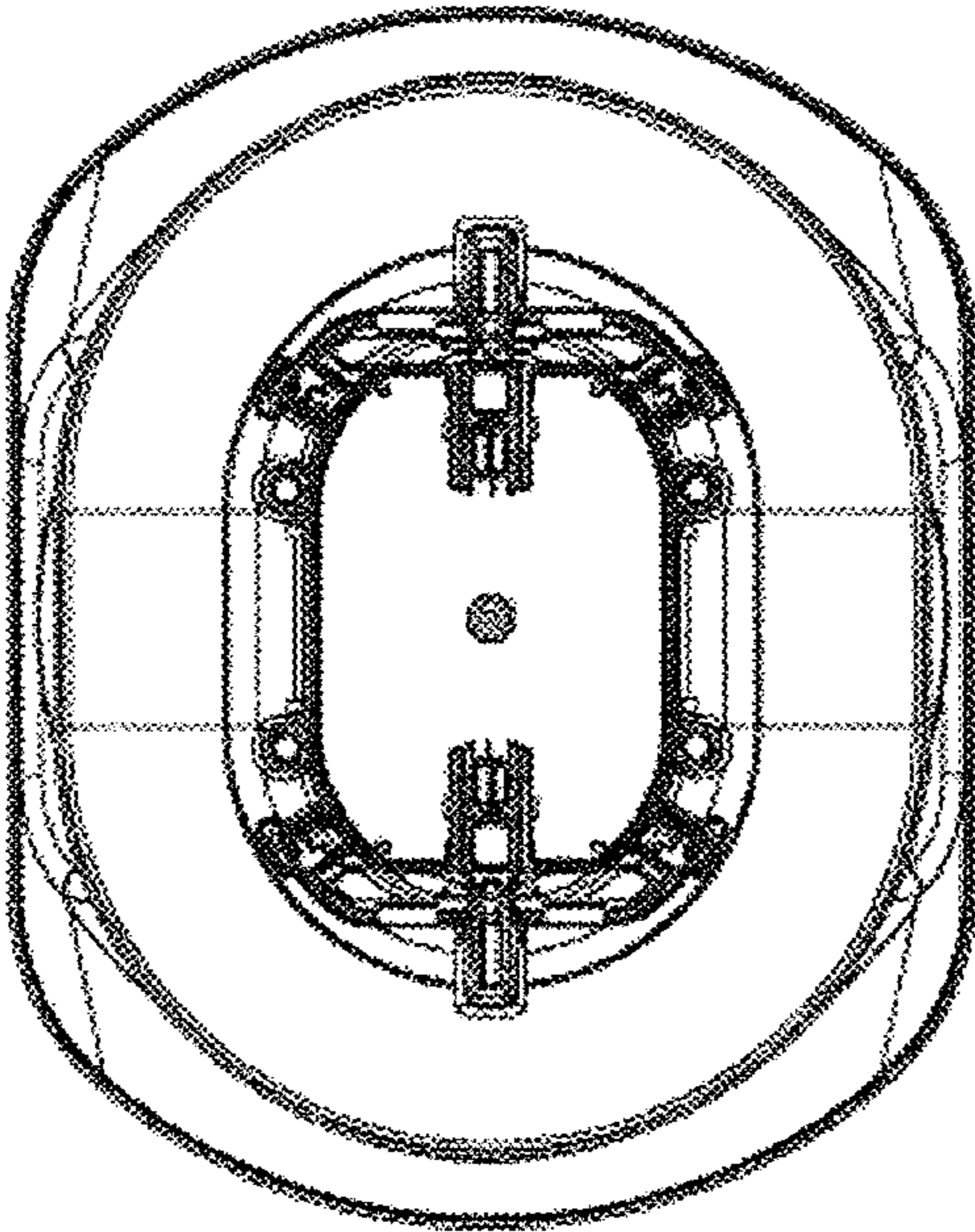


FIG. 6

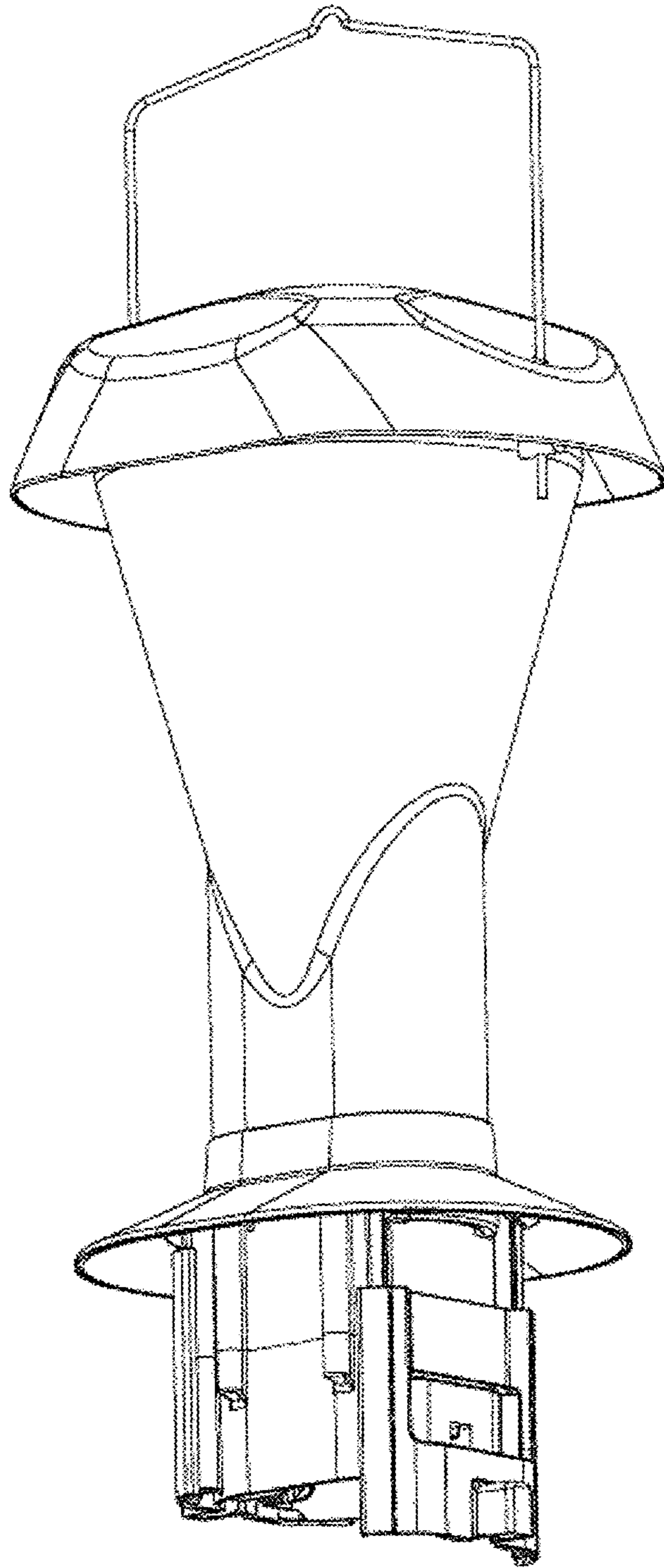


FIG. 7