



US00D811011S

(12) **United States Design Patent**
Yun

(10) **Patent No.:** **US D811,011 S**
(45) **Date of Patent:** **** Feb. 20, 2018**

- (54) **THUMB RING FOR NAIL CLIPPER**
- (71) Applicant: **Woo Sung Yun**, Newington, CT (US)
- (72) Inventor: **Woo Sung Yun**, Newington, CT (US)
- (**) Term: **15 Years**
- (21) Appl. No.: **29/554,657**
- (22) Filed: **Feb. 12, 2016**
- (51) **LOC (11) Cl.** **28-03**
- (52) **U.S. Cl.**
USPC **D28/62**
- (58) **Field of Classification Search**
USPC D28/60, 62; D11/26–29; 65/15–18
CPC ... A44C 9/0007; A44C 9/0015; A44C 9/0023;
A44C 9/003; A45D 29/02–29/023
See application file for complete search history.

- 7,320,180 B2 * 1/2008 Phillips A45D 29/02
132/73.5
 - 8,794,032 B2 * 8/2014 Goldstein A44C 7/002
63/1.16
 - 2016/0235182 A1* 8/2016 Yun A45D 29/02
- * cited by examiner

Primary Examiner — Jennifer Rivard
(74) *Attorney, Agent, or Firm* — Park & Associates IP Law, P.C.

(57) **CLAIM**

The ornamental design for a thumb ring for nail clipper, as shown and described.

DESCRIPTION

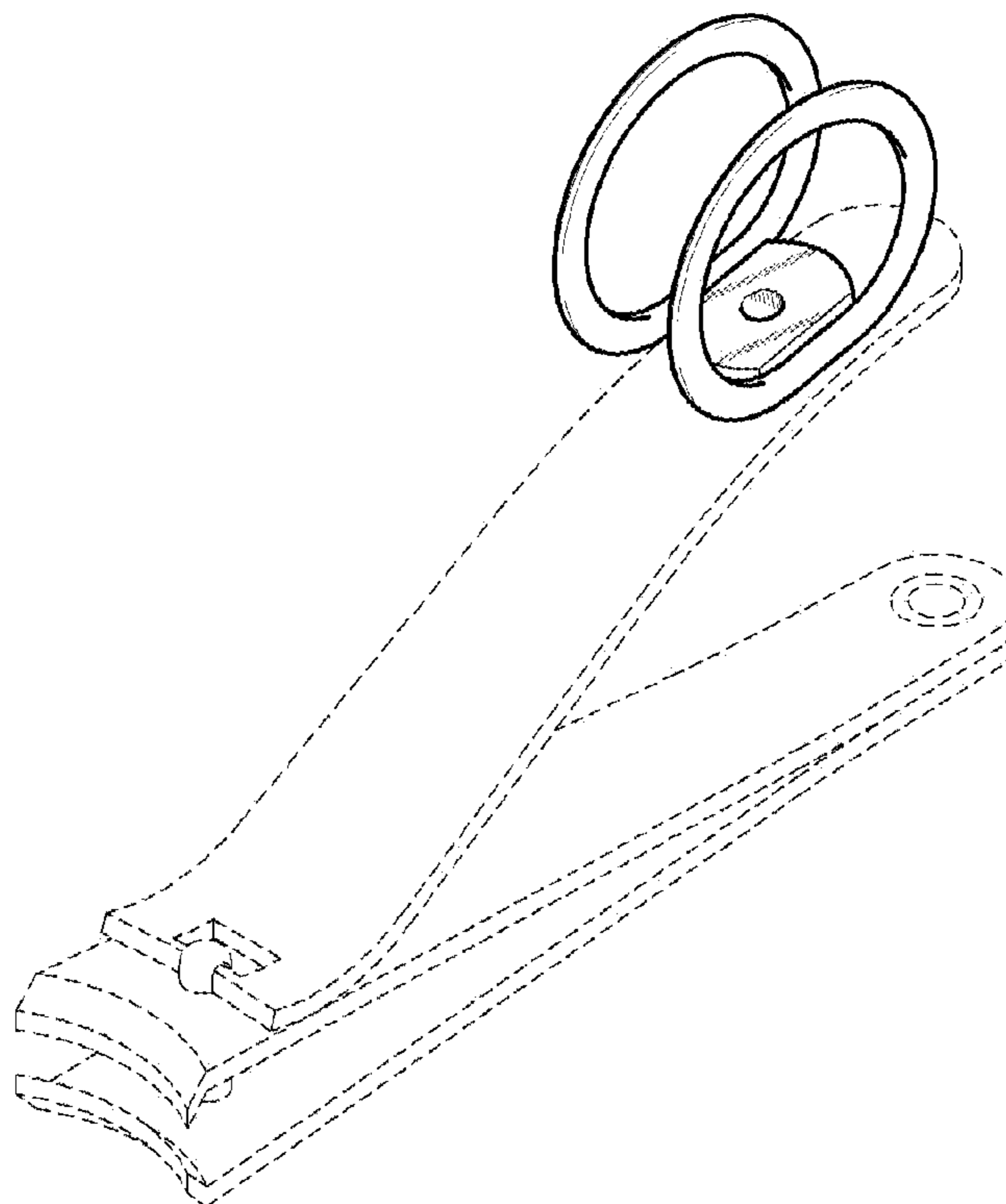
FIG. 1 is a perspective view of a thumb ring for a nail clipper in accordance with my new design;
 FIG. 2 is a front elevational view of the thumb ring, wherein a rear elevational view thereof is the mirror image thereof;
 FIG. 3 is a left side elevational view thereof, wherein a right side elevational view thereof is the mirror image thereof;
 FIG. 4 is a top plan view thereof;
 FIG. 5 is a bottom plan view thereof;
 FIG. 6 is a reference view illustrating a usage of the thumb ring which is coupled to a nail clipper, with the thumb ring in a first position; and,
 FIG. 7 is another reference view illustrating a usage of the thumb ring which is coupled to the nail clipper, with the thumb ring in a second position.
 The broken lines shown in FIGS. 6 and 7 are for the purpose of illustrating environment and/or usage, and form no part of the claimed design.

(56) **References Cited**

U.S. PATENT DOCUMENTS

- 949,779 A * 2/1910 Leineweber A45D 29/02
30/262
- 970,067 A * 9/1910 Rabe A45D 29/02
30/232
- 4,788,768 A * 12/1988 Ohori A45D 29/02
132/73.5
- 5,018,250 A * 5/1991 Schroder A44C 5/2019
24/116 A
- 5,384,960 A * 1/1995 Tottenham A45D 29/02
132/75.5

1 Claim, 4 Drawing Sheets



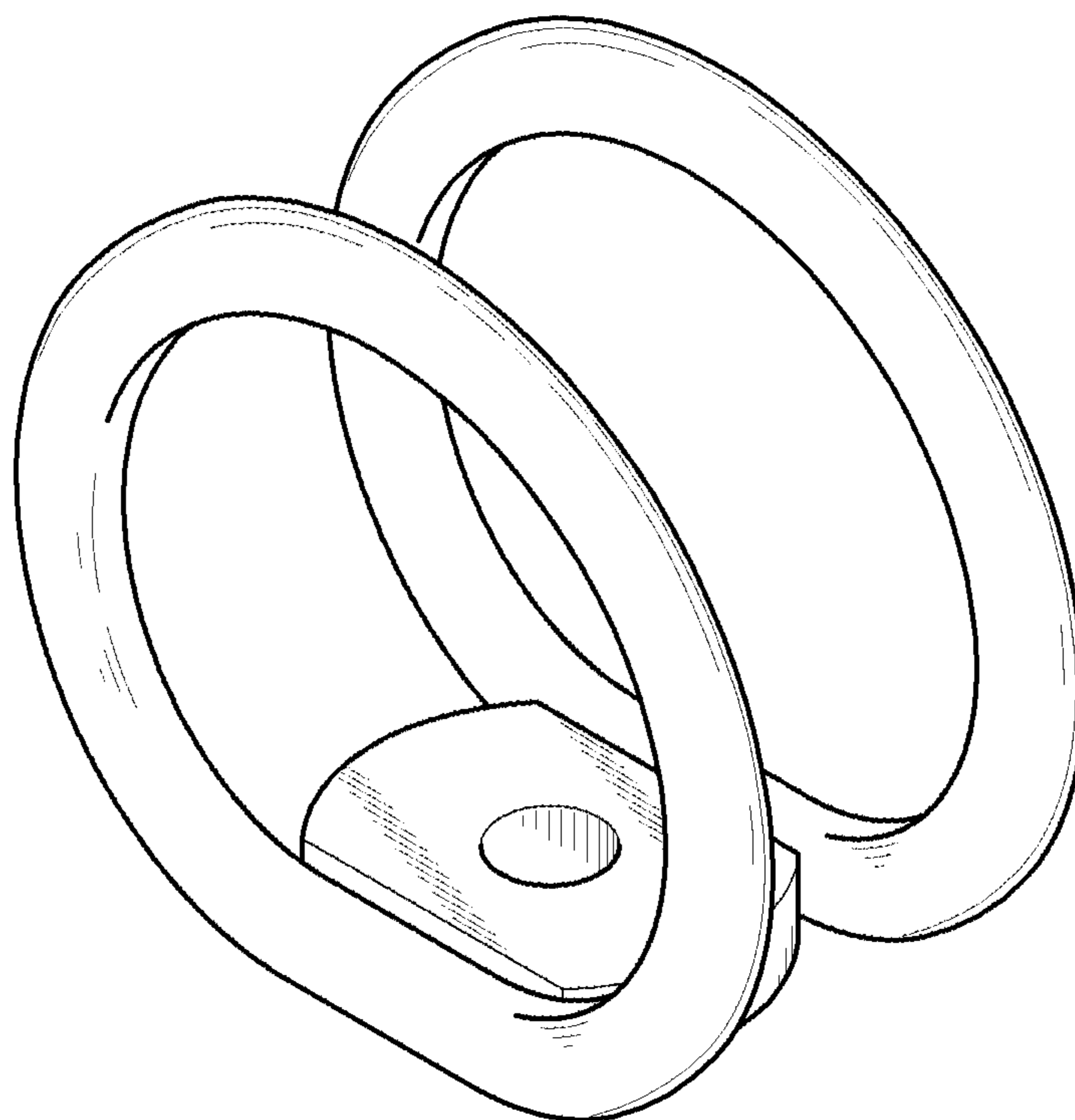


FIG. 1

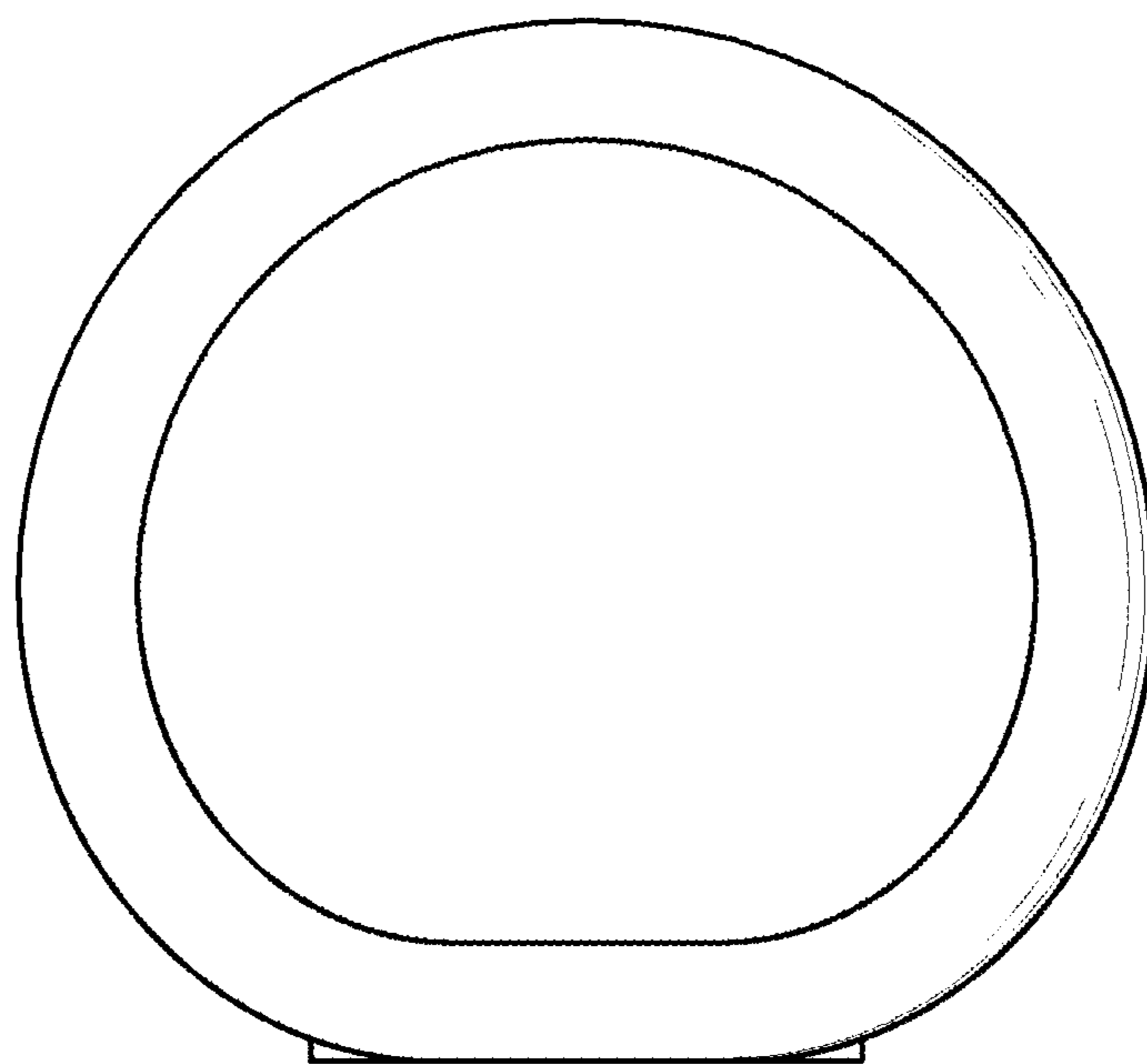


FIG. 2

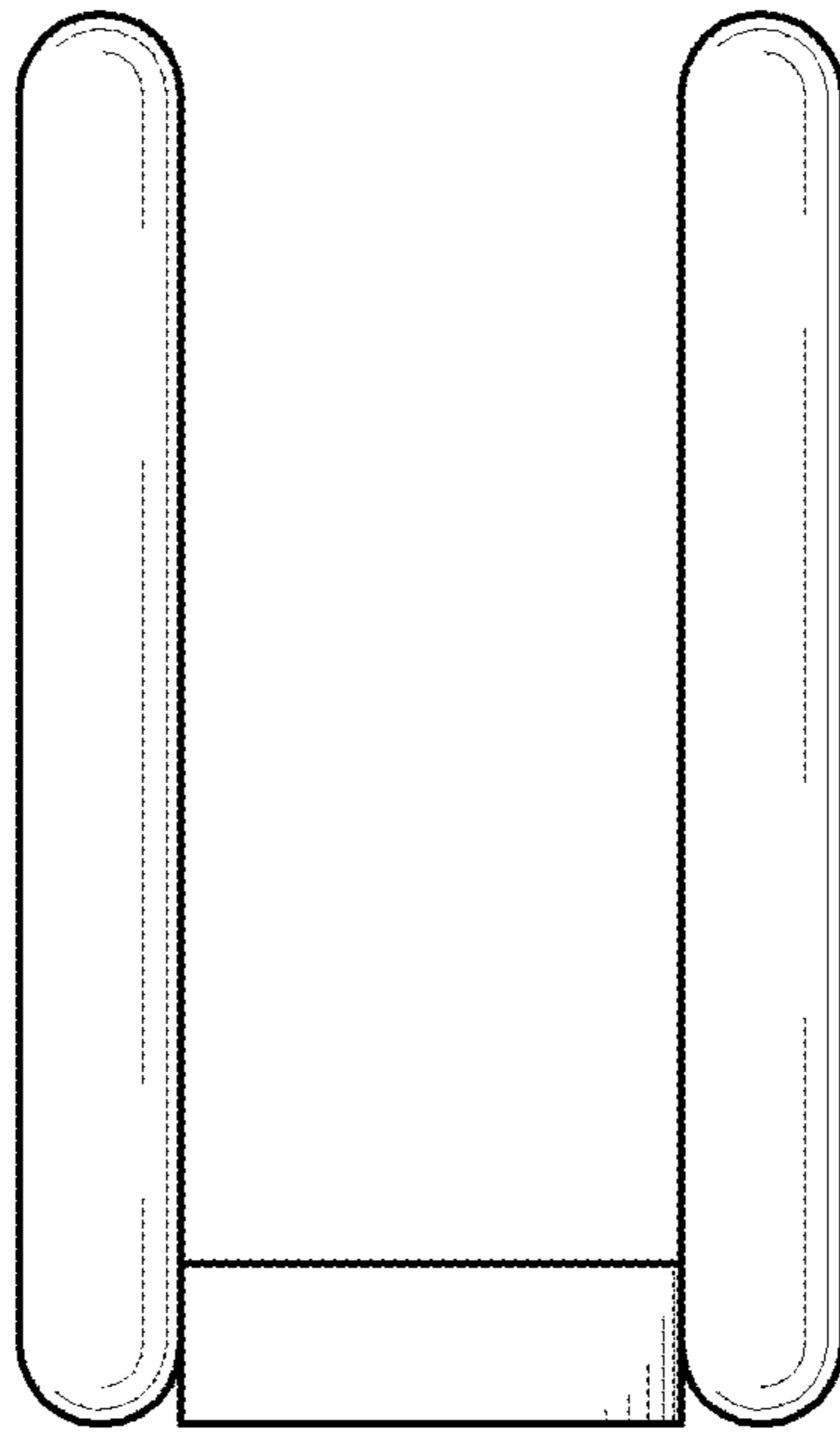


FIG. 3

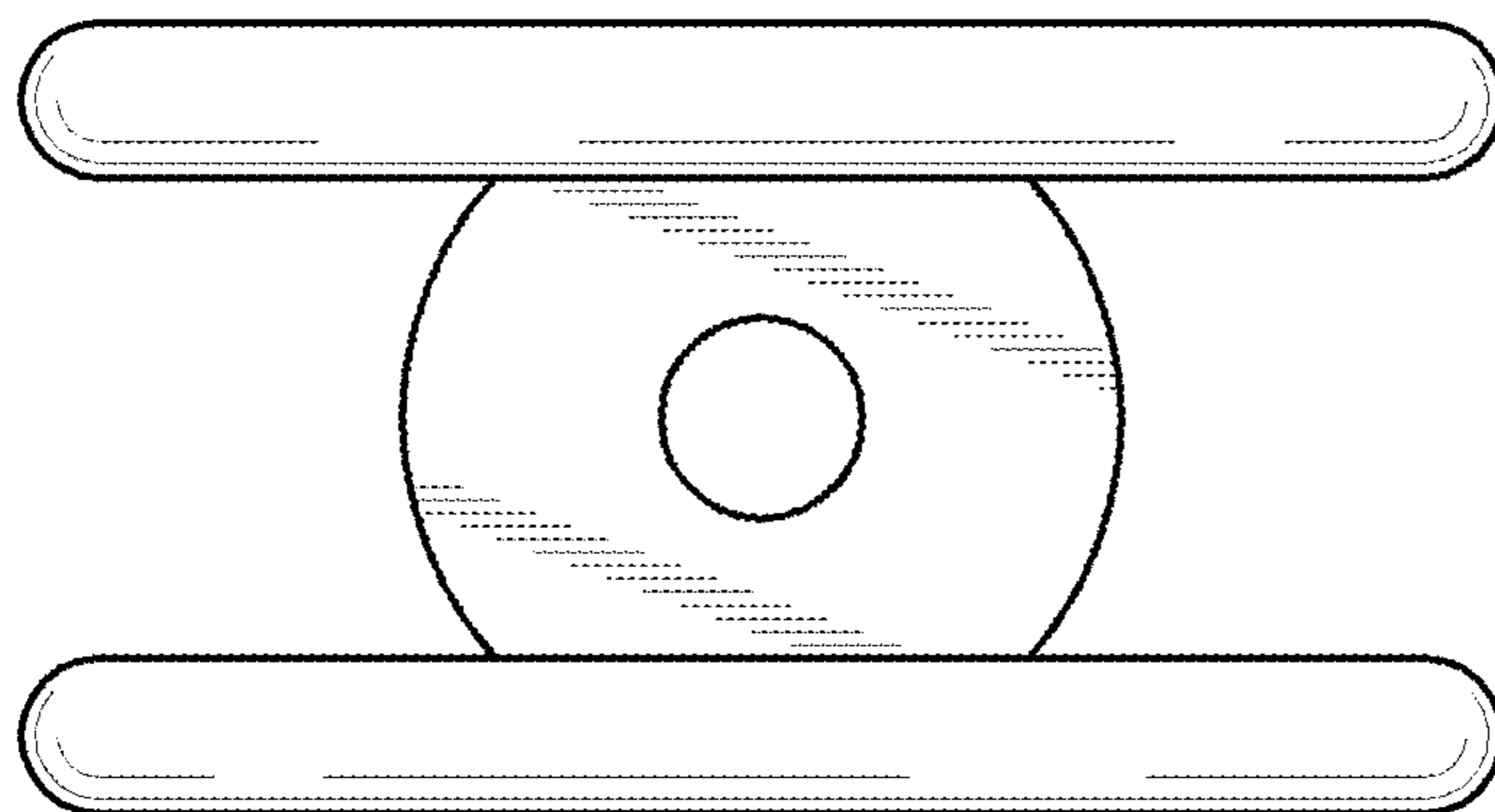


FIG. 4

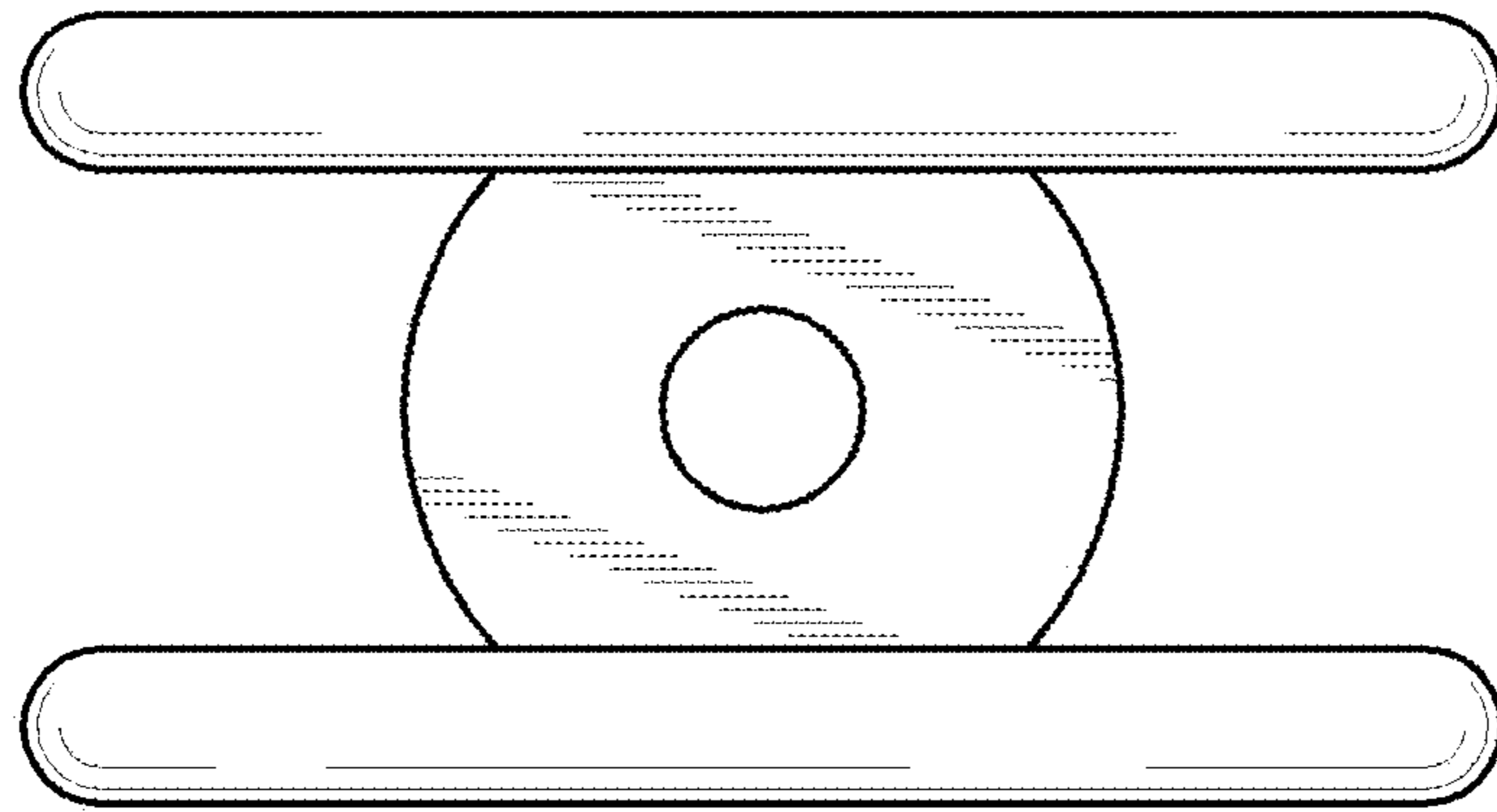


FIG. 5

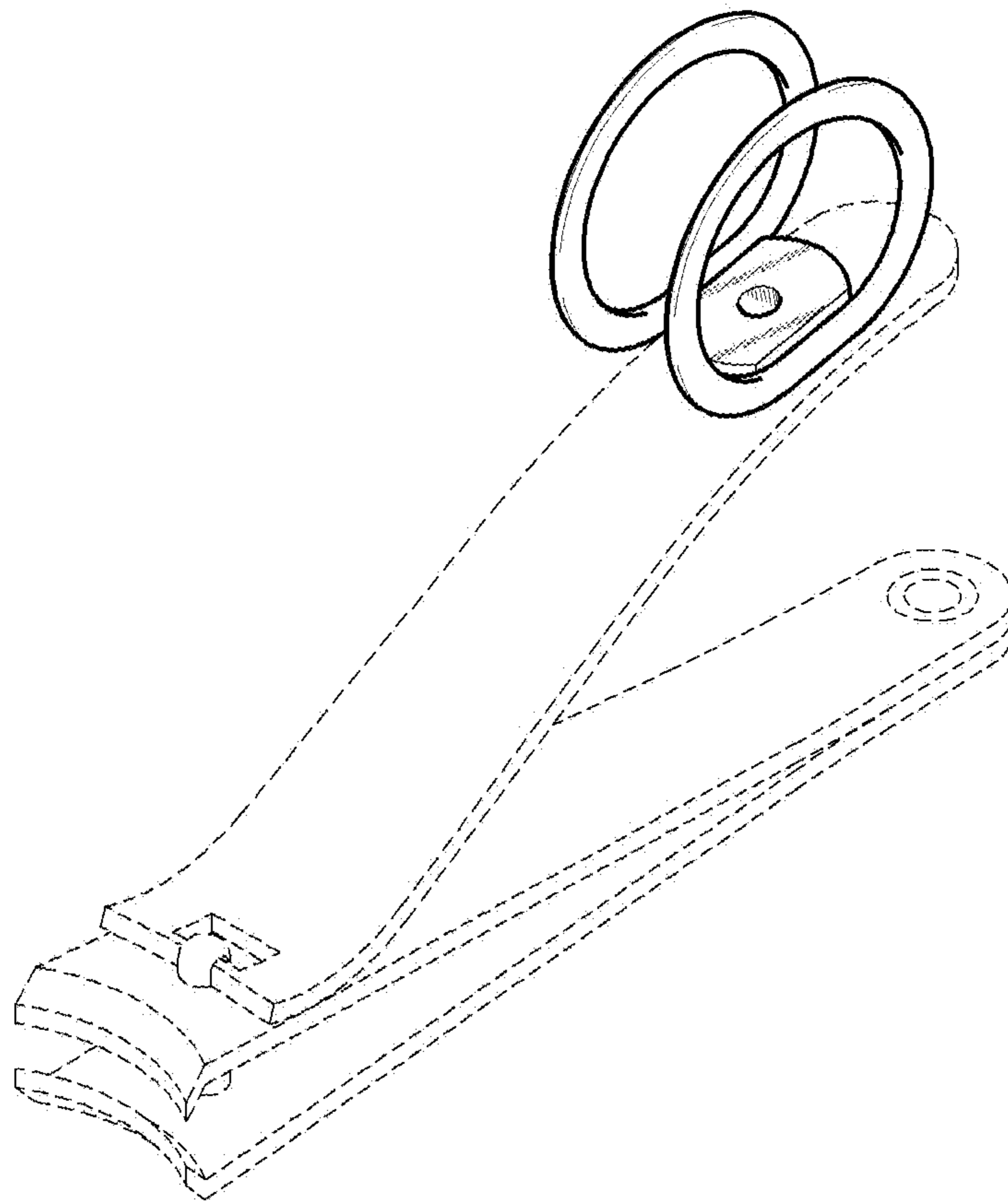


FIG. 6

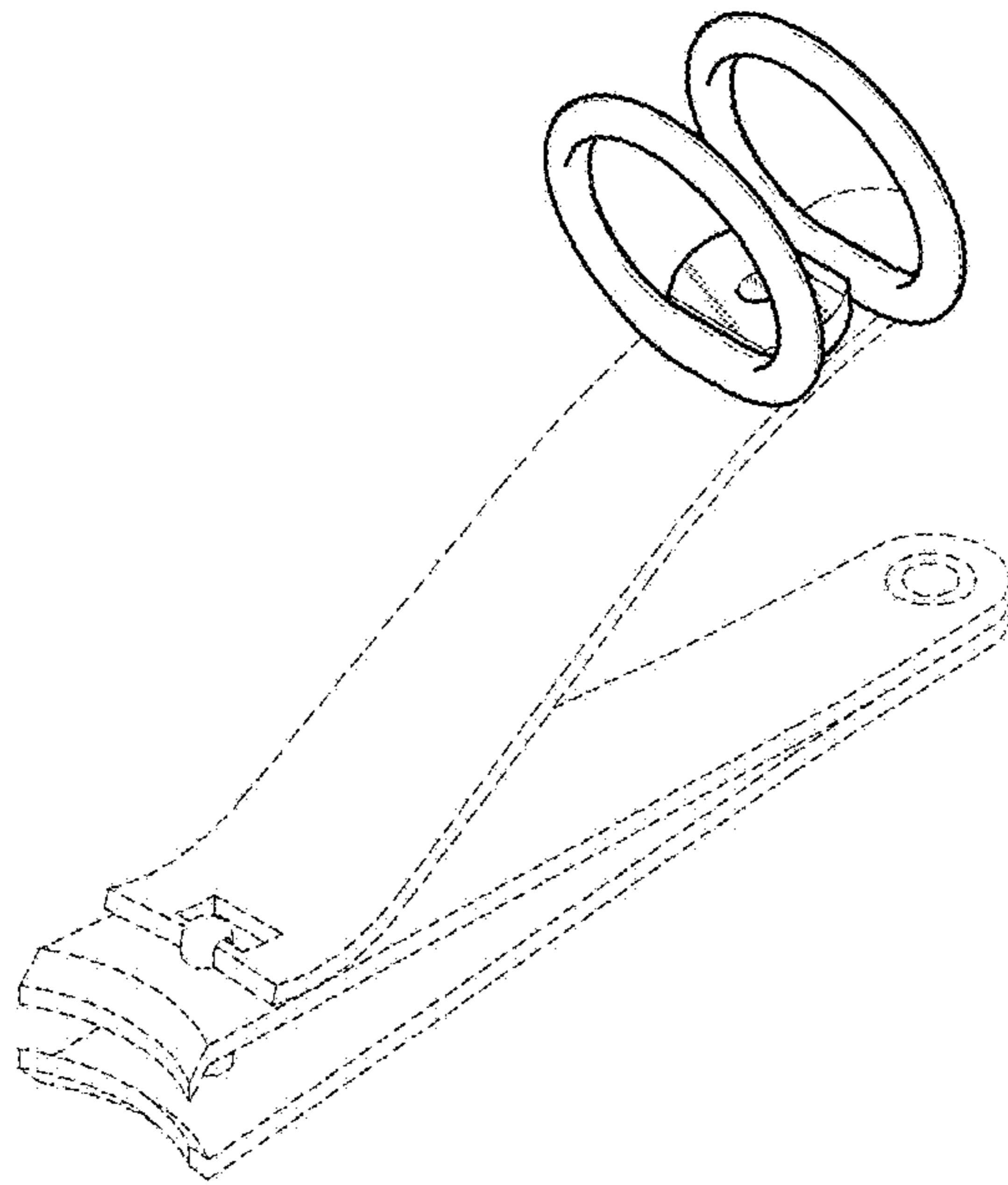


FIG. 7