



US00D811008S

(12) **United States Design Patent**
Link et al.

(10) **Patent No.:** **US D811,008 S**

(45) **Date of Patent:** **** Feb. 20, 2018**

(54) **DETERGENT POUCH**

(71) Applicant: **Reckitt Benckiser Finish B.V.**,
Hoofddorp (NL)

(72) Inventors: **Rainer Link**, Heidelberg (DE); **Randy Bos**, Eindhoven (NL); **Taco Dietvorst**, Eindhoven (NL); **Karin Dulker**, Eindhoven (NL)

(73) Assignee: **RECKITT BENCKISER FINISH B.V.**, hoofddorp (NL)

(**) Term: **15 Years**

(21) Appl. No.: **29/581,673**

(22) Filed: **Oct. 20, 2016**

(30) **Foreign Application Priority Data**

Apr. 22, 2016 (EM) 003082189-0005

(51) **LOC (11) Cl.** **28-03**

(52) **U.S. Cl.**
USPC **D28/8.1; D9/426; D9/707**

(58) **Field of Classification Search**
USPC D28/4, 8.1-8.2; D6/707-708, 426
CPC . C11D 17/00; C11D 17/0017; C11D 17/0026;
C11D 17/0047-17/0095; C11D 13/18;
C11D 13/20; C11D 17/02
See application file for complete search history.

(56) **References Cited**

U.S. PATENT DOCUMENTS

D287,572 S * 1/1987 Dancy D9/707
D436,860 S * 1/2001 Raso D28/8.1

D490,567 S * 5/2004 McLeish D28/8.1
D595,592 S * 7/2009 Beyer D9/707
D599,056 S * 8/2009 Schwartz D28/8.1
D679,863 S * 4/2013 Sunder D28/8.1
D695,451 S * 12/2013 Gerhards D28/8.1
D728,157 S * 4/2015 Sarb D28/8.1
D732,735 S * 6/2015 Nixon D28/8.1
D733,962 S * 7/2015 Sunder D28/8.1
D735,407 S * 7/2015 Gerhards D28/8.1
D764,944 S * 8/2016 Timm D9/707
D774,249 S * 12/2016 McLenithan D28/8.1
D796,736 S * 9/2017 Burdeos Andreu D28/8.1

* cited by examiner

Primary Examiner — Jennifer Rivard

(74) *Attorney, Agent, or Firm* — Troutman Sanders LLP;
Ryan Schneider; Chris Davis

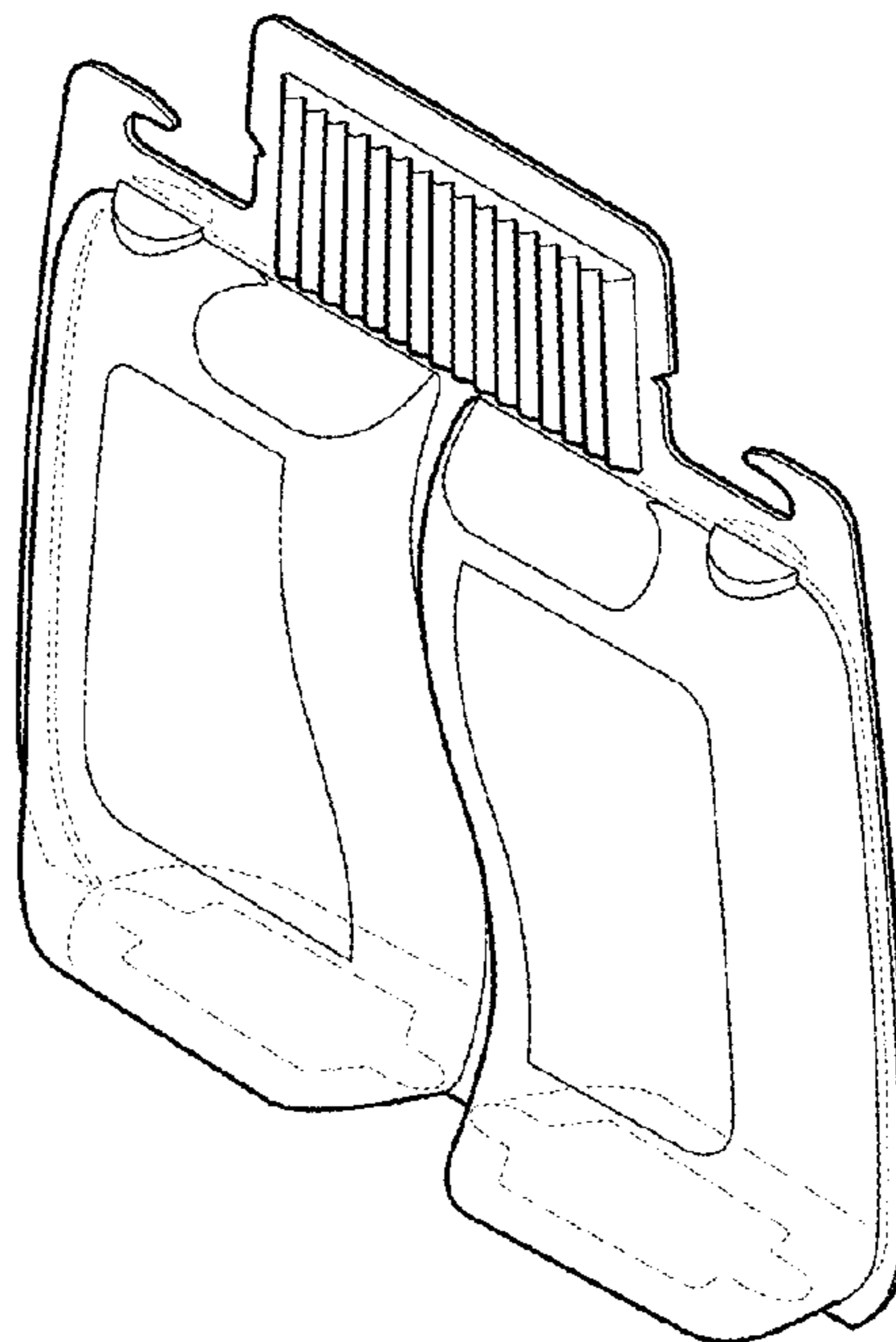
(57) **CLAIM**

We claim the ornamental design for a detergent pouch, as shown and described.

DESCRIPTION

FIG. 1 is a perspective view of a detergent pouch, showing our new design;
FIG. 2 is a front view thereof;
FIG. 3 is a side view thereof;
FIG. 4 is a back view thereof;
FIG. 5 is an opposite side view thereof;
FIG. 6 is a top plan view thereof; and,
FIG. 7 is a bottom plan view thereof.

1 Claim, 7 Drawing Sheets



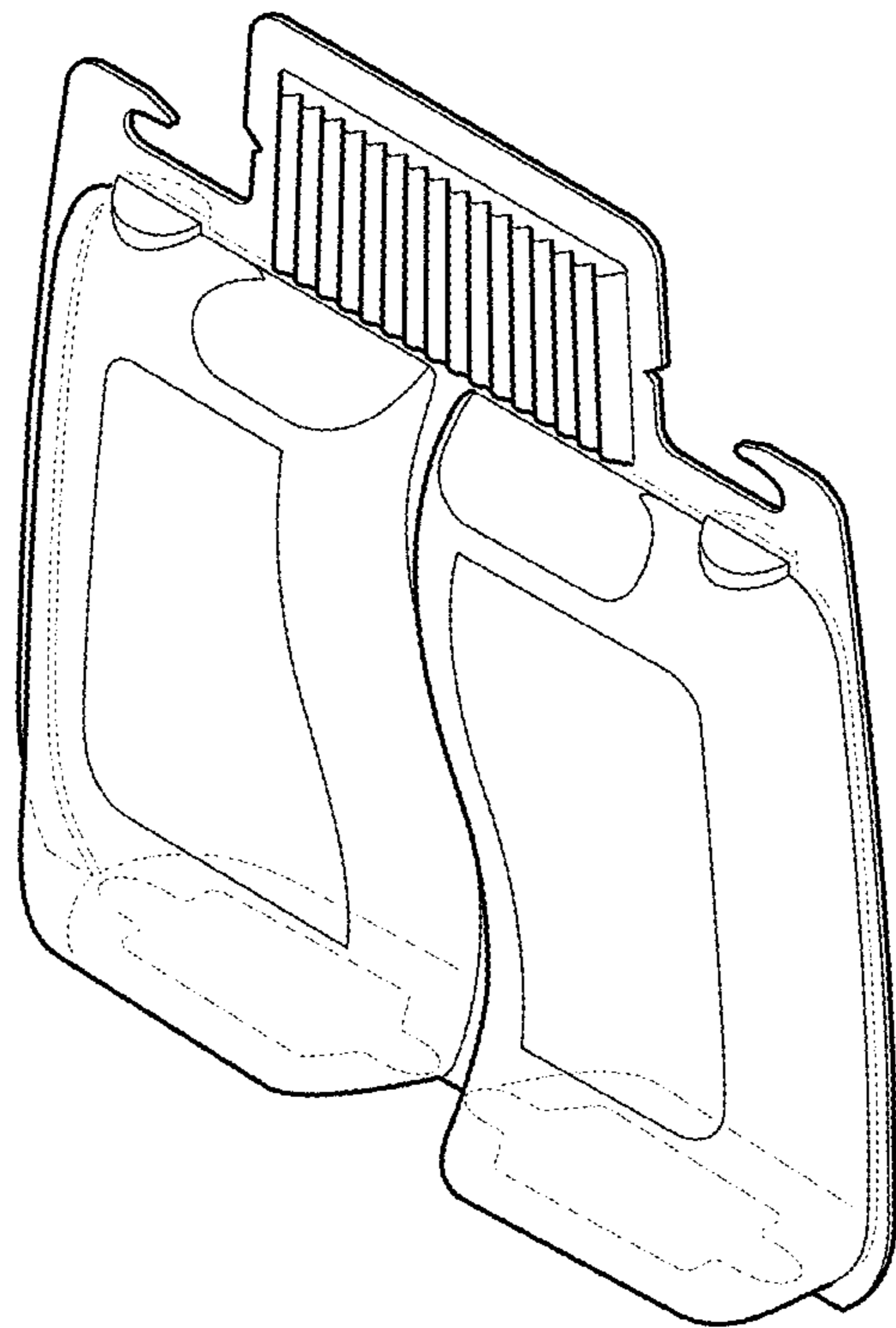


Fig. 1

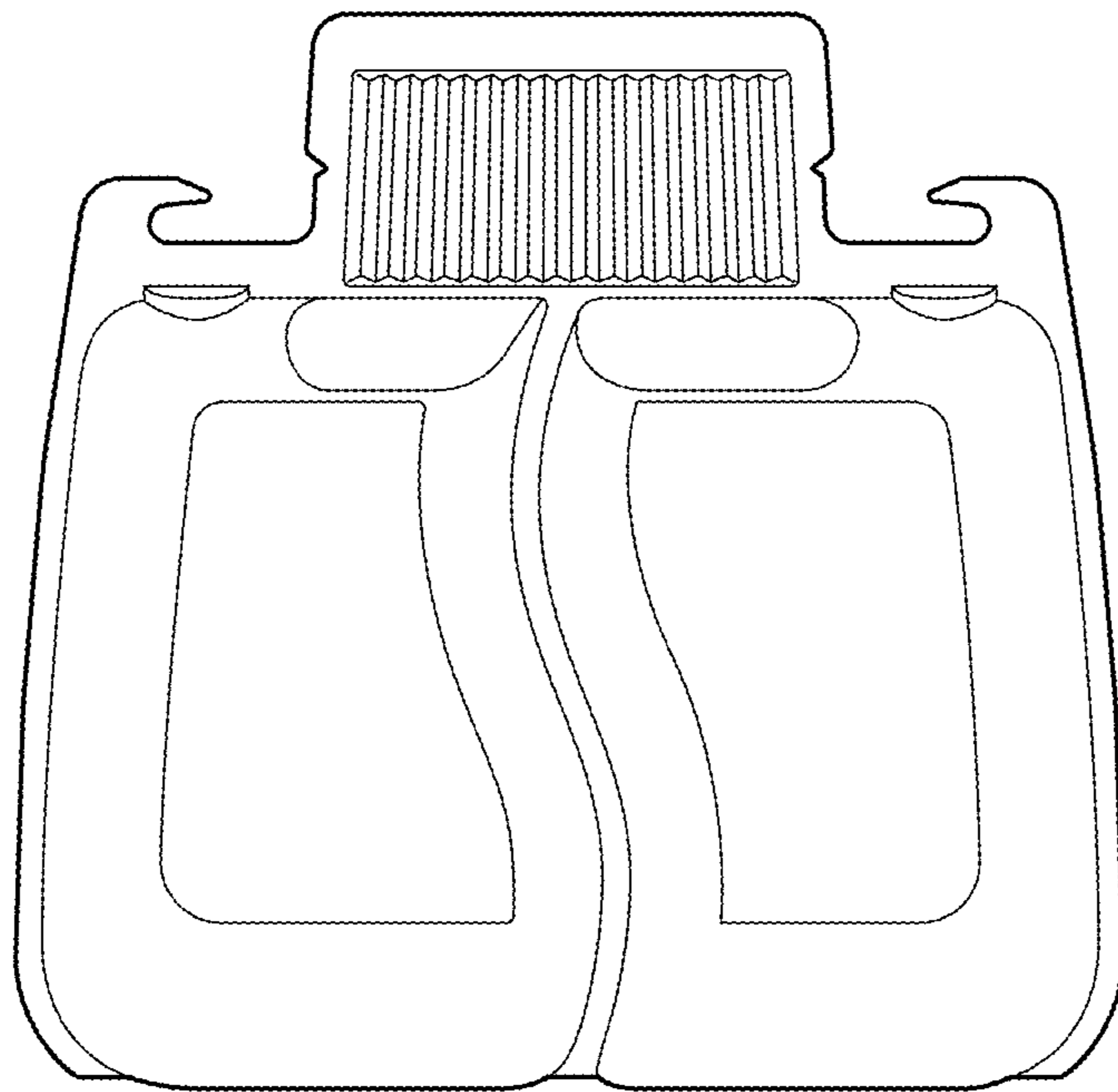


Fig. 2

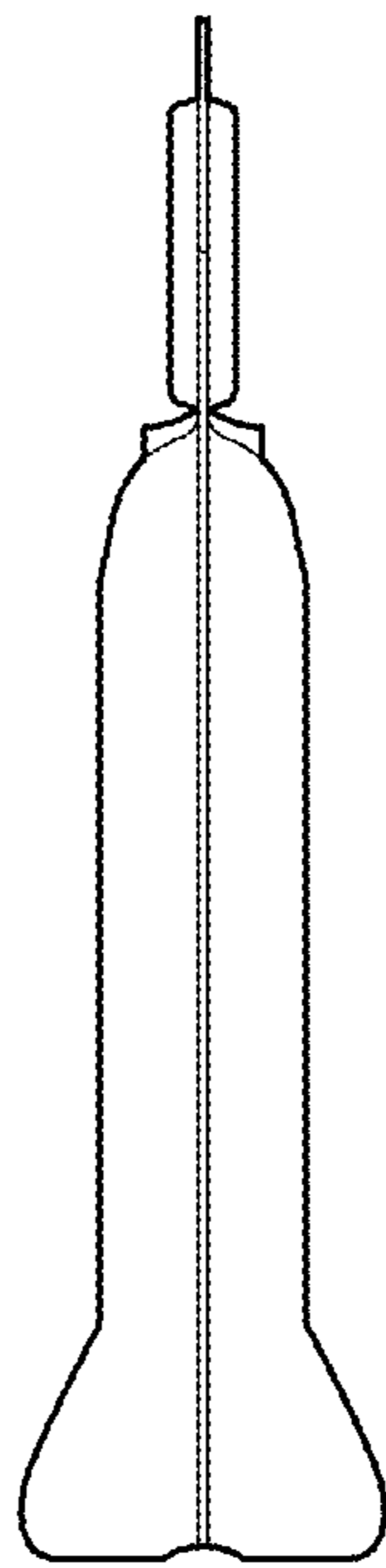


Fig. 3

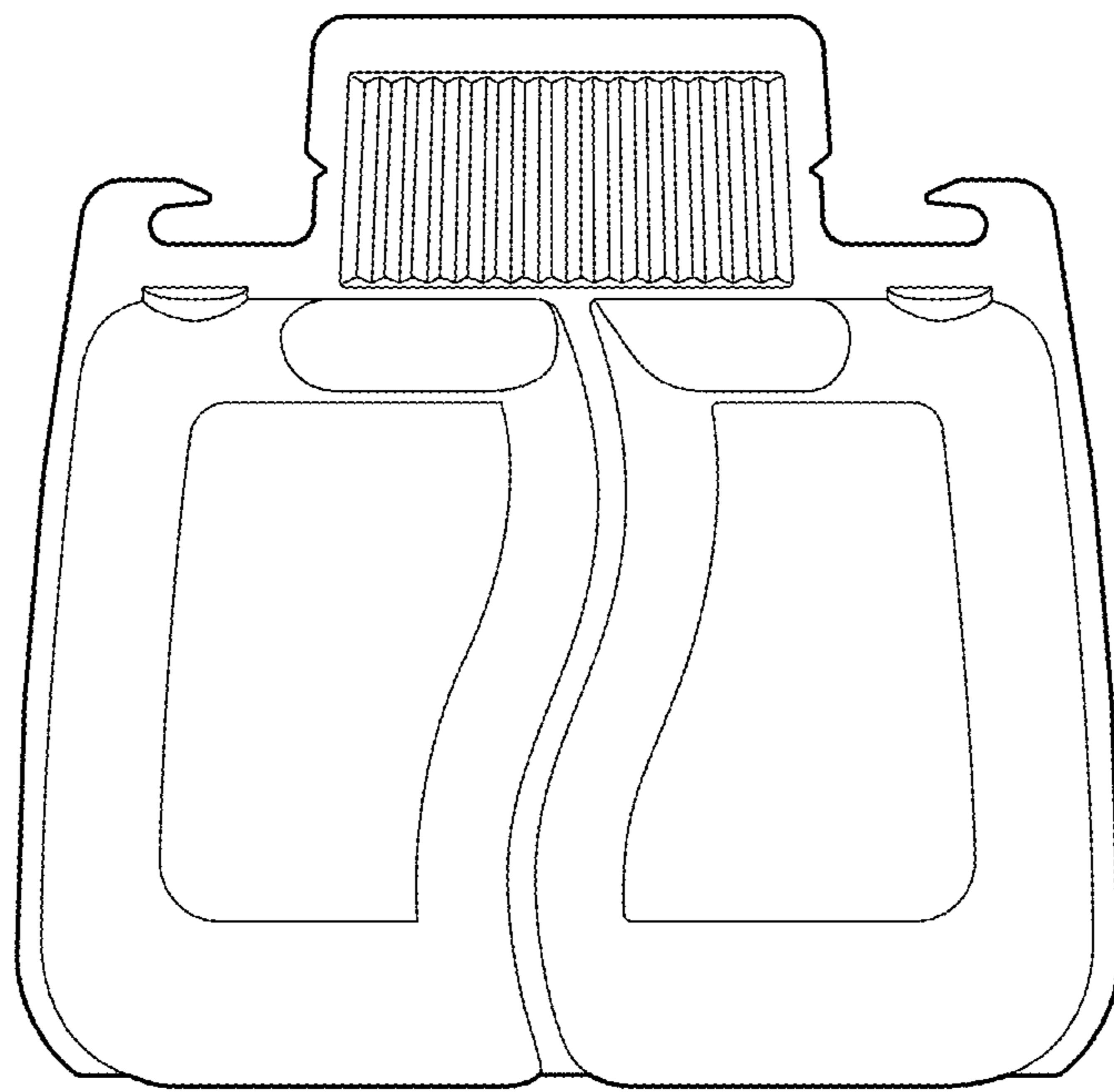


Fig. 4

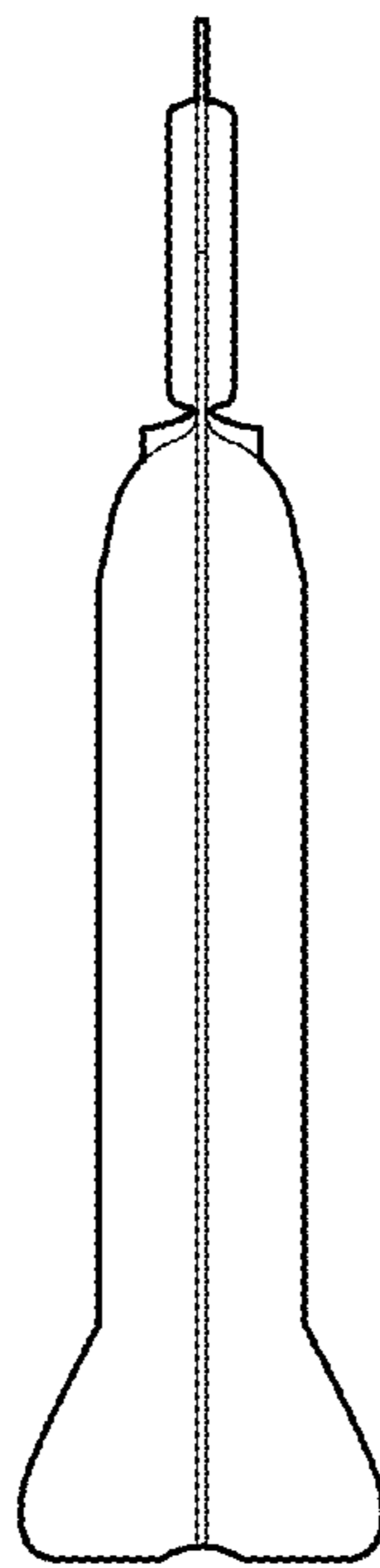


Fig. 5

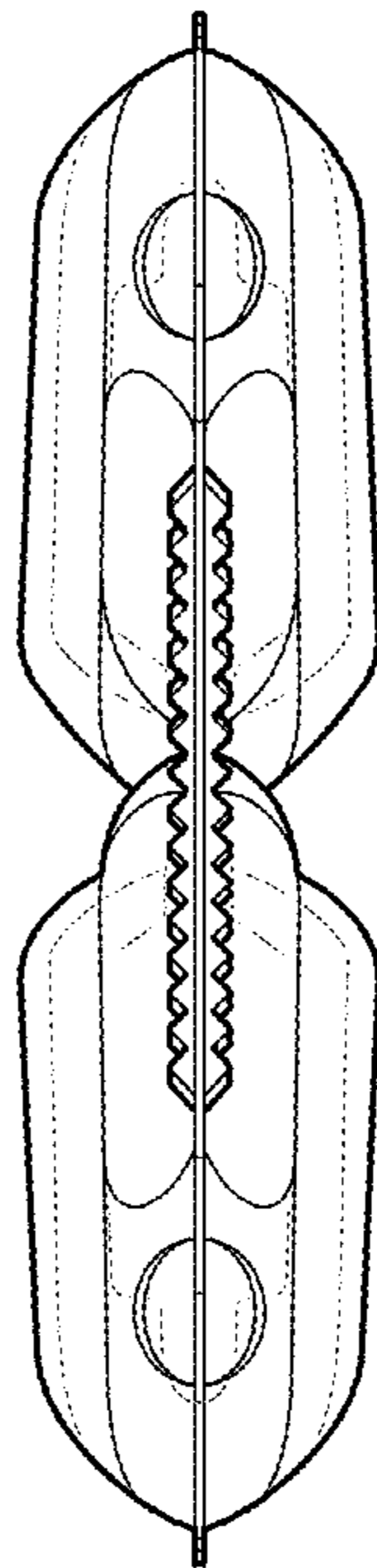


Fig. 6

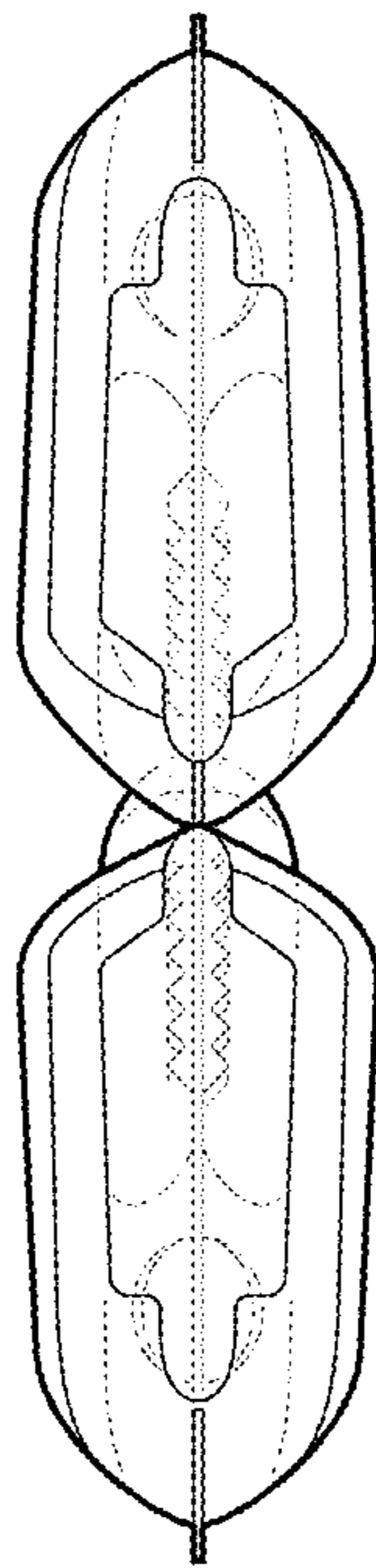


Fig. 7