



US00D811007S

(12) **United States Design Patent**  
**Link et al.**

(10) **Patent No.:** **US D811,007 S**  
(45) **Date of Patent:** **\*\* Feb. 20, 2018**

(54) **DETERGENT POUCH**

(71) Applicant: **Reckitt Benckiser Finish B.V.**,  
Hoofddorp (NL)  
(72) Inventors: **Rainer Link**, Heidelberg (DE); **Randy Bos**,  
Eindhoven (NL); **Taco Dietvorst**, Eindhoven (NL);  
**Karin Dulker**, Eindhoven (NL)  
(73) Assignee: **RACKITT BENCKISER FINISH B.V.**,  
Hoofddorp (NL)

D490,567 S \* 5/2004 McLeish ..... D28/8.1  
D595,592 S \* 7/2009 Beyer ..... D9/707  
D599,056 S \* 8/2009 Schwartz ..... D28/8.1  
D679,863 S \* 4/2013 Sunder ..... D28/8.1  
D695,451 S \* 12/2013 Gerhards ..... D28/8.1  
D728,157 S \* 4/2015 Sarb ..... D28/8.1  
D732,735 S \* 6/2015 Nixon ..... D28/8.1  
D733,962 S \* 7/2015 Sunder ..... D28/8.1  
D735,407 S \* 7/2015 Gerhards ..... D28/8.1  
D764,944 S \* 8/2016 Timm ..... D9/707  
D774,249 S \* 12/2016 McLenithan ..... D28/8.1  
D796,736 S \* 9/2017 Burdeos Andreu ..... D28/8.1

\* cited by examiner

(\*\*) Term: **15 Years**

*Primary Examiner* — Jennifer Rivard

(21) Appl. No.: **29/581,671**

(74) *Attorney, Agent, or Firm* — Troutman Sanders LLP;  
Ryan Schneider; Chris Davis

(22) Filed: **Oct. 20, 2016**

(30) **Foreign Application Priority Data**

(57) **CLAIM**

Apr. 22, 2016 (EM) ..... 003082189-0003

We claim the ornamental design for a detergent pouch, as shown and described.

(51) **LOC (11) Cl.** ..... **28-03**

(52) **U.S. Cl.**  
USPC ..... **D28/8.1**; D9/426; D9/707

(58) **Field of Classification Search**  
USPC ..... D28/4, 8.1–8.2; D6/707–708, 426  
CPC . C11D 17/00; C11D 17/0017; C11D 17/0026;  
C11D 17/0047–17/0095; C11D 13/18;  
C11D 13/20; C11D 17/02  
See application file for complete search history.

**DESCRIPTION**

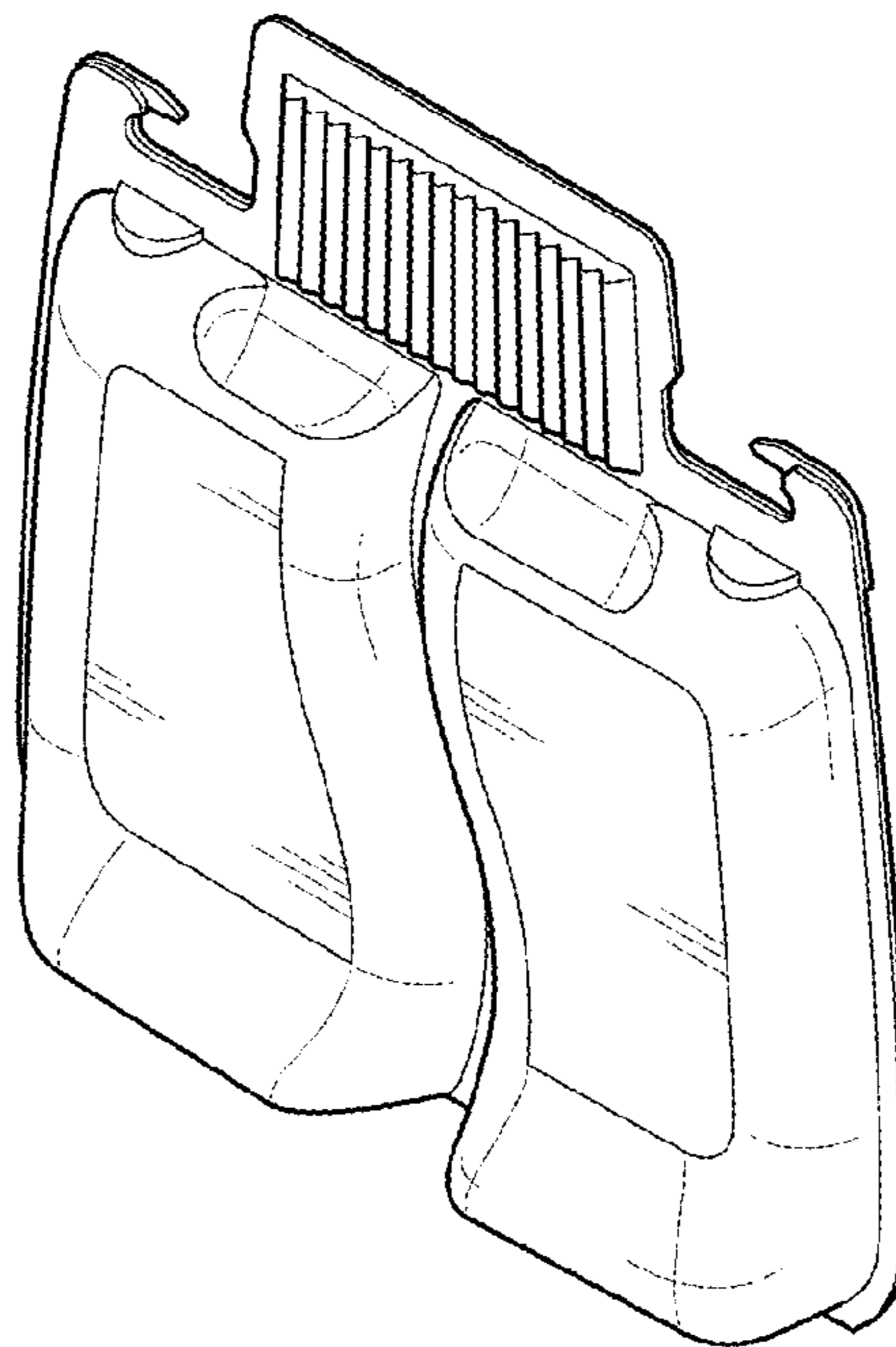
FIG. 1 is a perspective view of a detergent pouch, showing our new design;  
FIG. 2 is a front view thereof;  
FIG. 3 is a side view thereof;  
FIG. 4 is a back view thereof;  
FIG. 5 is an opposite side view thereof;  
FIG. 6 is a top plan view thereof; and,  
FIG. 7 is a bottom plan view thereof.

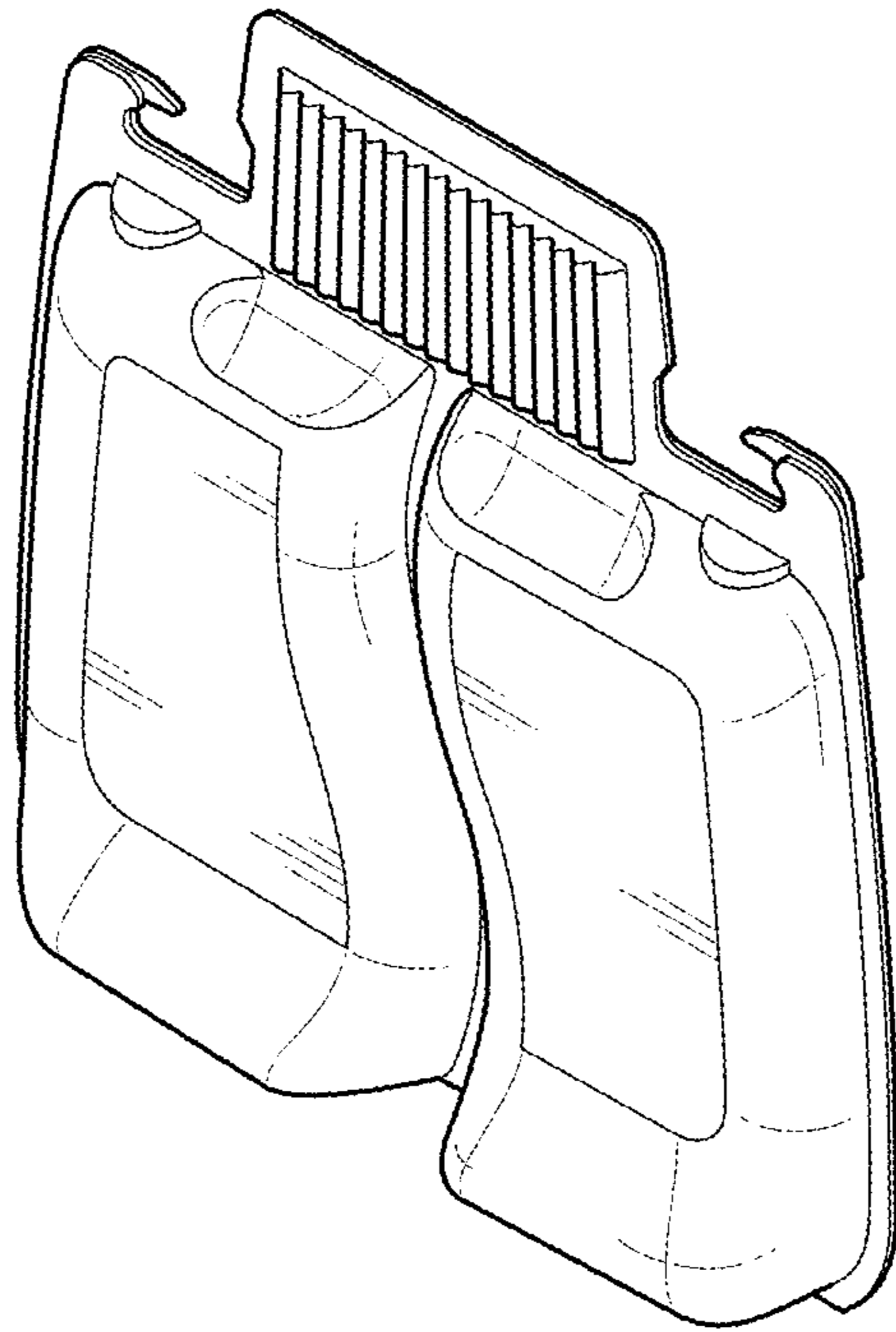
(56) **References Cited**

U.S. PATENT DOCUMENTS

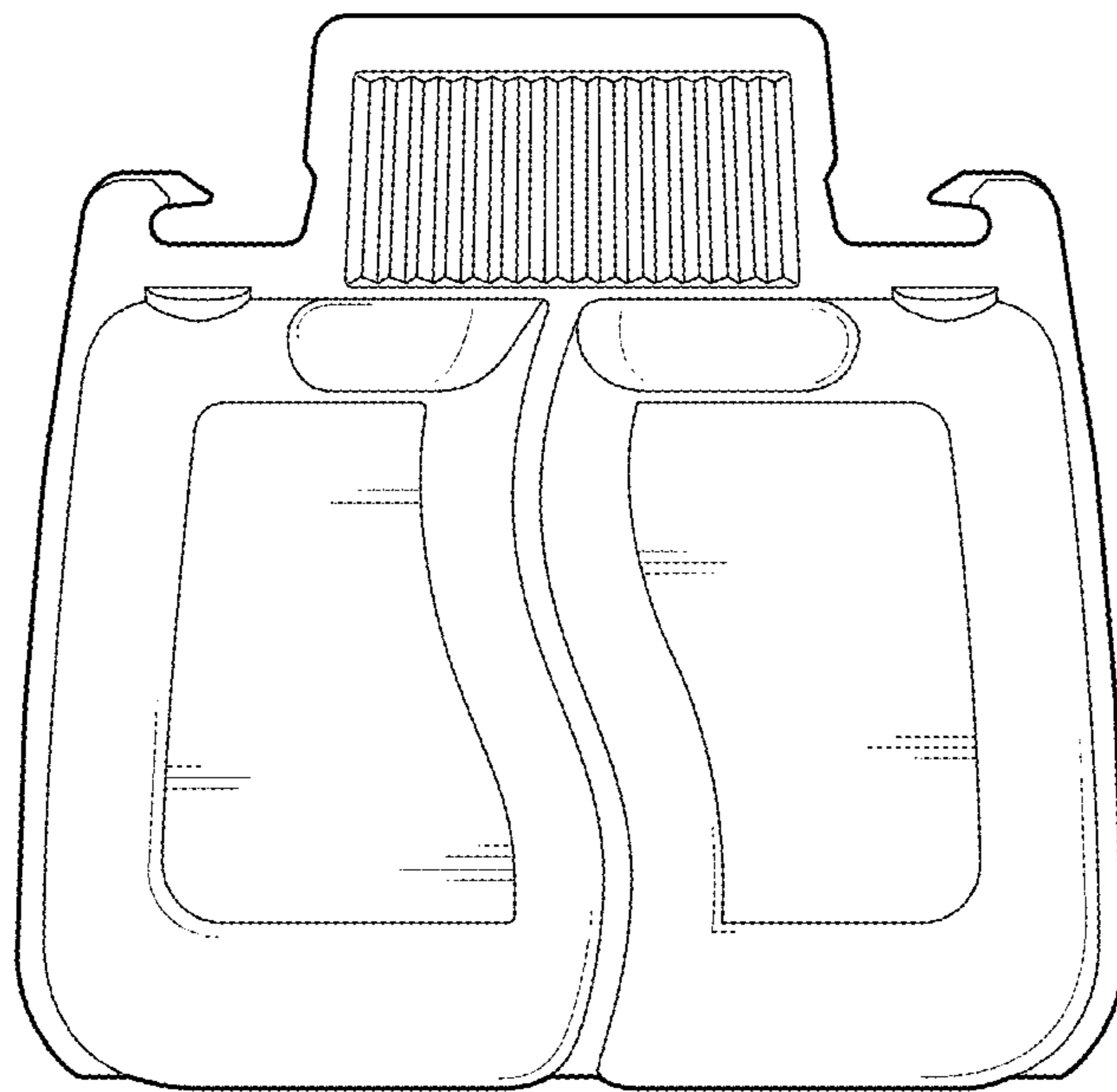
D287,572 S \* 1/1987 Dancy ..... D9/707  
D436,860 S \* 1/2001 Raso ..... D28/8.1

**1 Claim, 7 Drawing Sheets**

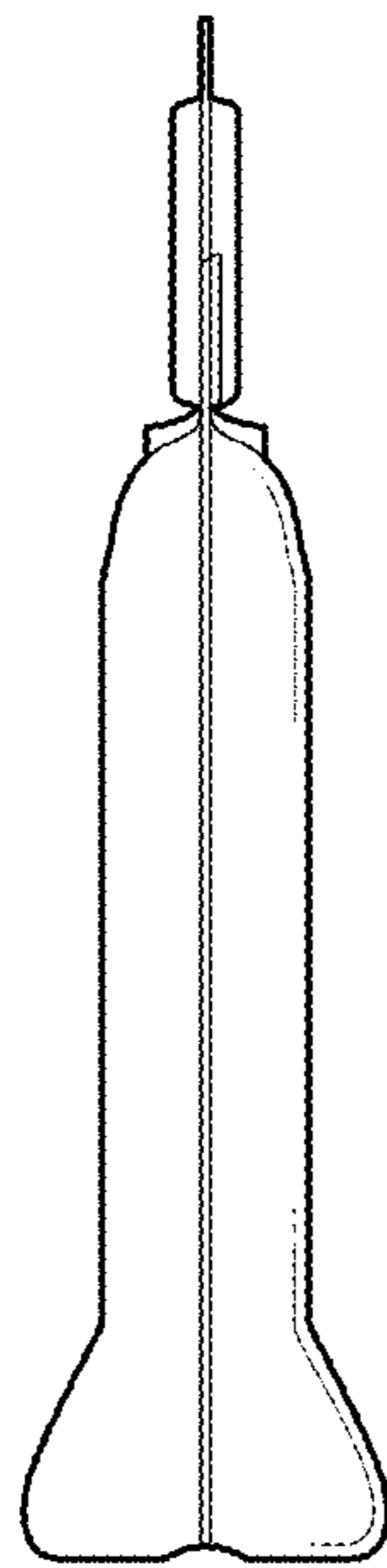




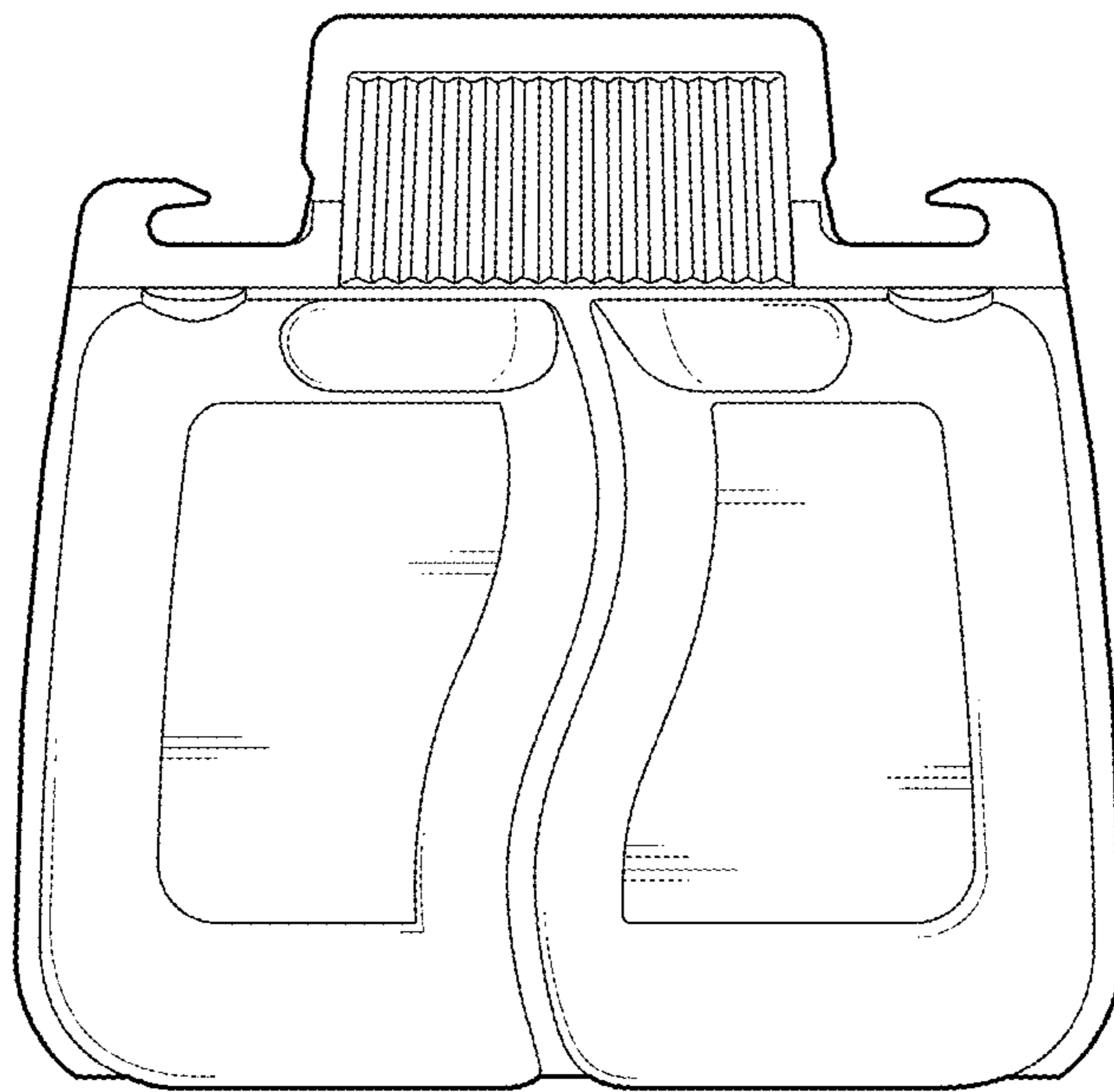
*Fig. 1*



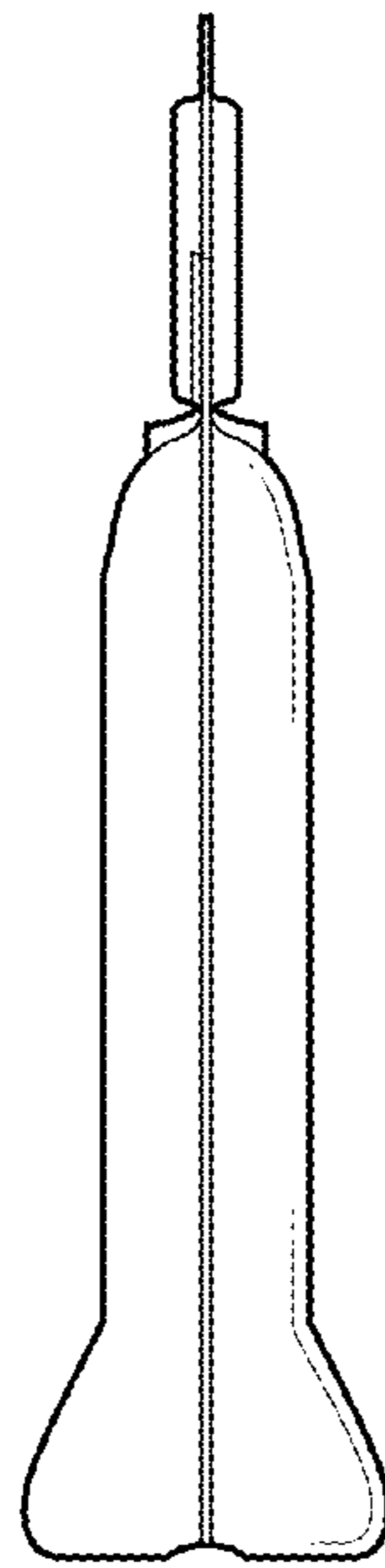
*Fig. 2*



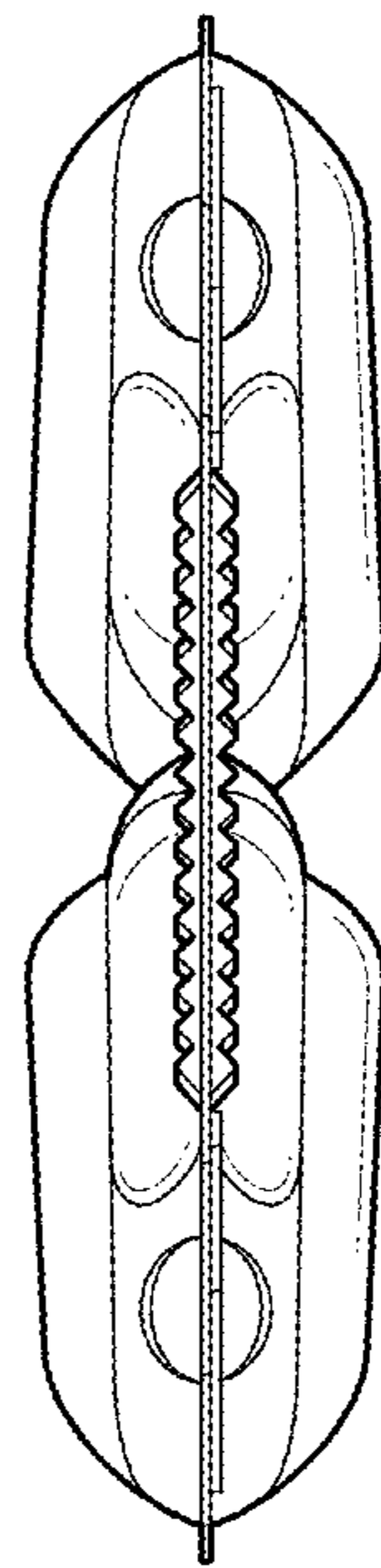
*Fig. 3*



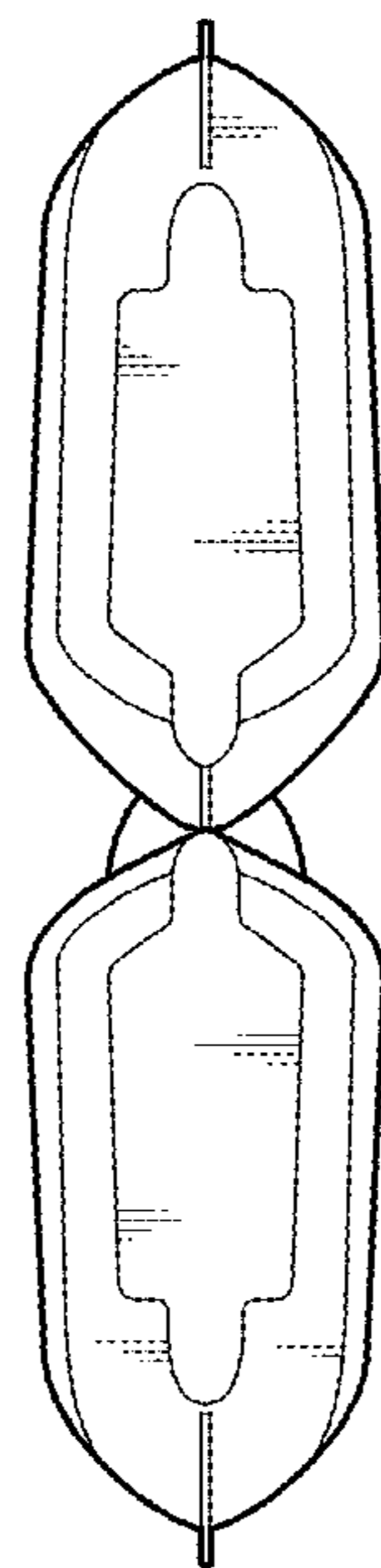
*Fig. 4*



*Fig. 5*



*Fig. 6*



*Fig. 7*



UNITED STATES PATENT AND TRADEMARK OFFICE  
**CERTIFICATE OF CORRECTION**

PATENT NO. : D811,007 S  
APPLICATION NO. : 29/581671  
DATED : February 20, 2018  
INVENTOR(S) : Rainer Link et al.

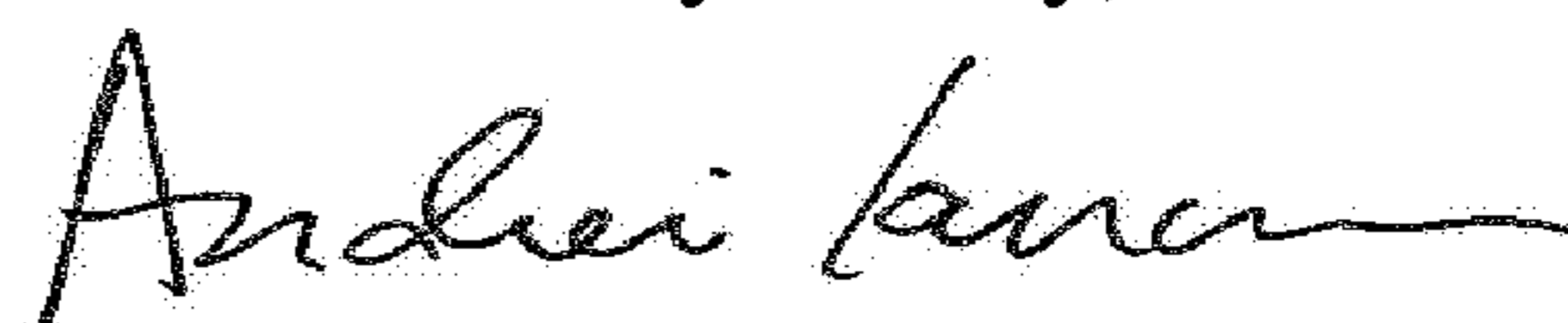
Page 1 of 1

It is certified that error appears in the above-identified patent and that said Letters Patent is hereby corrected as shown below:

On the Title Page

At item (73) Assignee, please replace "Rackitt Benckiser Finish B.V." with - Reckitt Benckiser Finish B.V. -

Signed and Sealed this  
Tenth Day of July, 2018



Andrei Iancu  
*Director of the United States Patent and Trademark Office*