



US00D811004S

(12) **United States Design Patent** (10) **Patent No.:** **US D811,004 S**
Yamada et al. (45) **Date of Patent:** **** Feb. 20, 2018**

(54) **TOBACCO SUCTION TOOL**
(71) Applicant: **Japan Tobacco Inc.**, Tokyo (JP)
(72) Inventors: **Manabu Yamada**, Tokyo (JP);
Masafumi Tarora, Tokyo (JP);
Hirofumi Matsumoto, Tokyo (JP)
(73) Assignee: **Japan Tobacco Inc.**, Minato-ku, Tokyo (JP)
(**) Term: **15 Years**
(21) Appl. No.: **29/572,017**
(22) Filed: **Jul. 25, 2016**

(30) **Foreign Application Priority Data**
Jan. 25, 2016 (JP) 2016-001326
(51) **LOC (11) Cl.** **27-01**
(52) **U.S. Cl.**
USPC **D27/101**
(58) **Field of Classification Search**
USPC D27/101, 100, 106, 108, 163, 165, 169,
D27/172, 174, 175, 183, 186-190, 193,
D27/194, 195; D24/100, 110; 131/270,
131/273, 274, 191, 330, 329;
138/155-157, 162; 285/24, 5, 27, 31;
D32/17, 1, 15; D8/499, 30, 68, 14, 51
(Continued)

(56) **References Cited**
U.S. PATENT DOCUMENTS
4,603,886 A * 8/1986 Pallini, Jr. E21B 17/085
285/18
8,499,766 B1 * 8/2013 Newton A24F 47/008
131/273
D695,449 S * 12/2013 Tucker D27/101
D730,286 S 5/2015 Liu et al.
D750,834 S * 3/2016 Wei D27/101

D750,835 S * 3/2016 Wei D27/101
(Continued)

FOREIGN PATENT DOCUMENTS

CN 302715975 S 1/2014
JP D1385677 3/2010
(Continued)

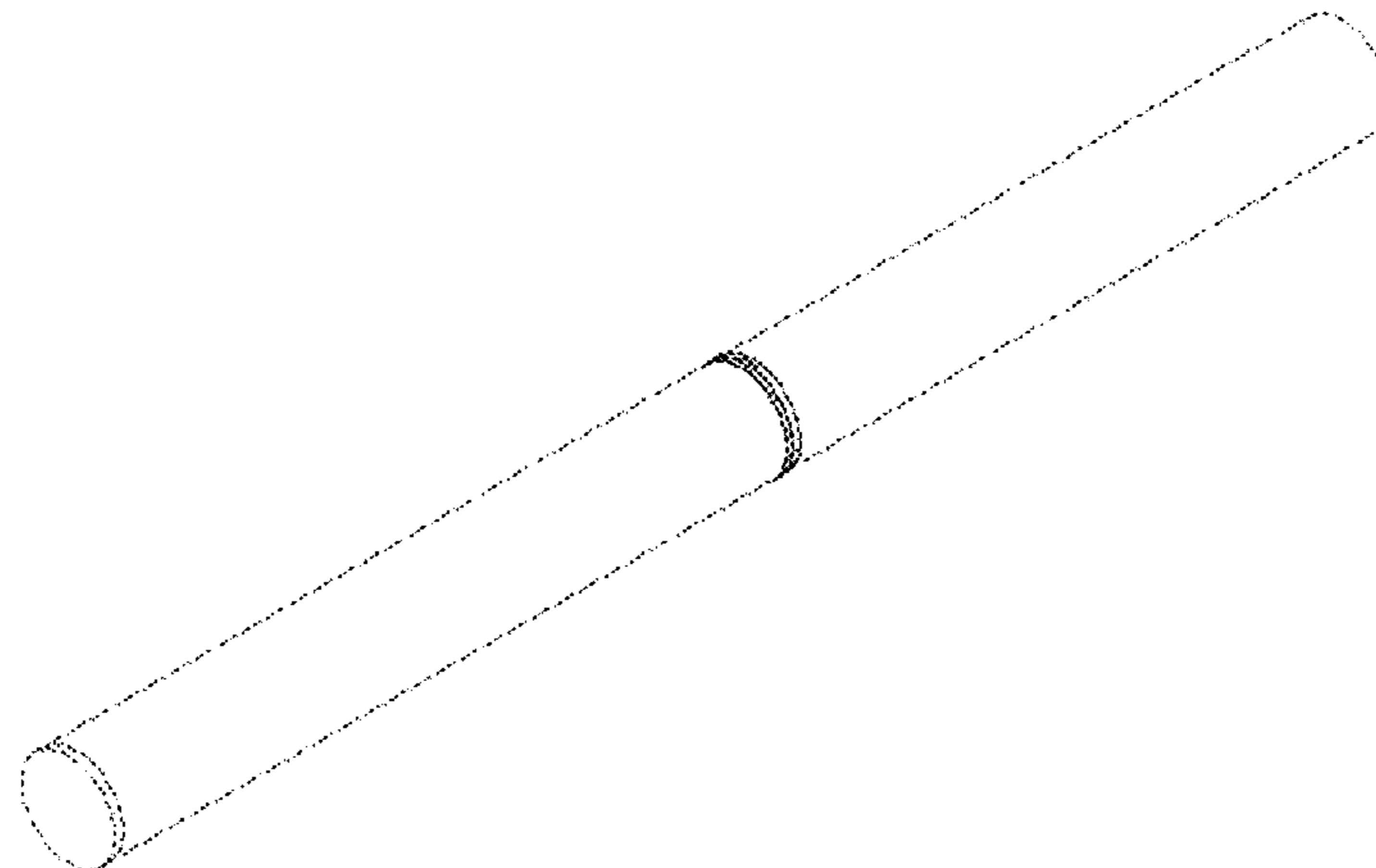
Primary Examiner — Susan Bennett Hattan
Assistant Examiner — Rebecca Tsehaye
(74) *Attorney, Agent, or Firm* — Ohlandt, Greeley,
Ruggiero & Perle, L.L.P.

(57) **CLAIM**
The ornamental design for a tobacco suction tool, as shown and described.

DESCRIPTION

FIG. 1 is a perspective view from the left side of a tobacco suction tool.
FIG. 2 is a perspective view from the right side thereof.
FIG. 3 is a front elevation view thereof.
FIG. 4 is a rear elevation view thereof.
FIG. 5 is a top plan view thereof.
FIG. 6 is a bottom plan view thereof.
FIG. 7 is a left side elevation view thereof.
FIG. 8 is a right side elevation view thereof.
FIG. 9 is an enlarged cross-sectional view taken along the line 9-9 in FIG. 7.
FIG. 10 is a perspective view from the left side showing the state that the battery and the cartridge are separated.
FIG. 11 is a perspective view from the right side showing the state that the battery and the cartridge are separated.
FIG. 12 is an enlarged fragmentary perspective view from the left side showing the state that the battery and the cartridge are separated; and,
FIG. 13 is an enlarged fragmentary perspective view from the right side showing the state that the battery and the cartridge are separated.
The broken lines shown in the drawings illustrate portions of the tobacco suction tool that form no part of claimed design.

1 Claim, 13 Drawing Sheets



(58) **Field of Classification Search**

CPC A24F 47/002; A24F 47/004; A24F 47/006;
A24F 47/008; A61M 15/06; A61C 17/043

See application file for complete search history.

(56) **References Cited**

U.S. PATENT DOCUMENTS

D770,086	S *	10/2016	Tucker	D27/101
D780,372	S *	2/2017	Liu	D27/101
D782,729	S *	3/2017	Wright	D27/101
D784,609	S *	4/2017	Liu	D27/101
9,609,893	B2 *	4/2017	Novak, III	A24F 47/008
9,615,605	B2 *	4/2017	Liu	A24F 47/008
9,615,607	B2 *	4/2017	Liu	A24F 47/008
2010/0200008	A1 *	8/2010	Taieb	A24F 47/008 131/360
2014/0007863	A1 *	1/2014	Chen	A24F 47/008 128/200.14
2014/0150785	A1 *	6/2014	Malik	A61M 15/06 128/202.21
2014/0332017	A1 *	11/2014	Liu	A24F 47/008 131/329

FOREIGN PATENT DOCUMENTS

JP	D1385679	3/2010
JP	D1385677	4/2010
JP	D1385679	4/2010
KR	30-2013-0040813	12/2013
KR	30-0721091	12/2013
KR	30-2013-0064261	9/2014
KR	30-0763926	9/2014

* cited by examiner

FIG. 1

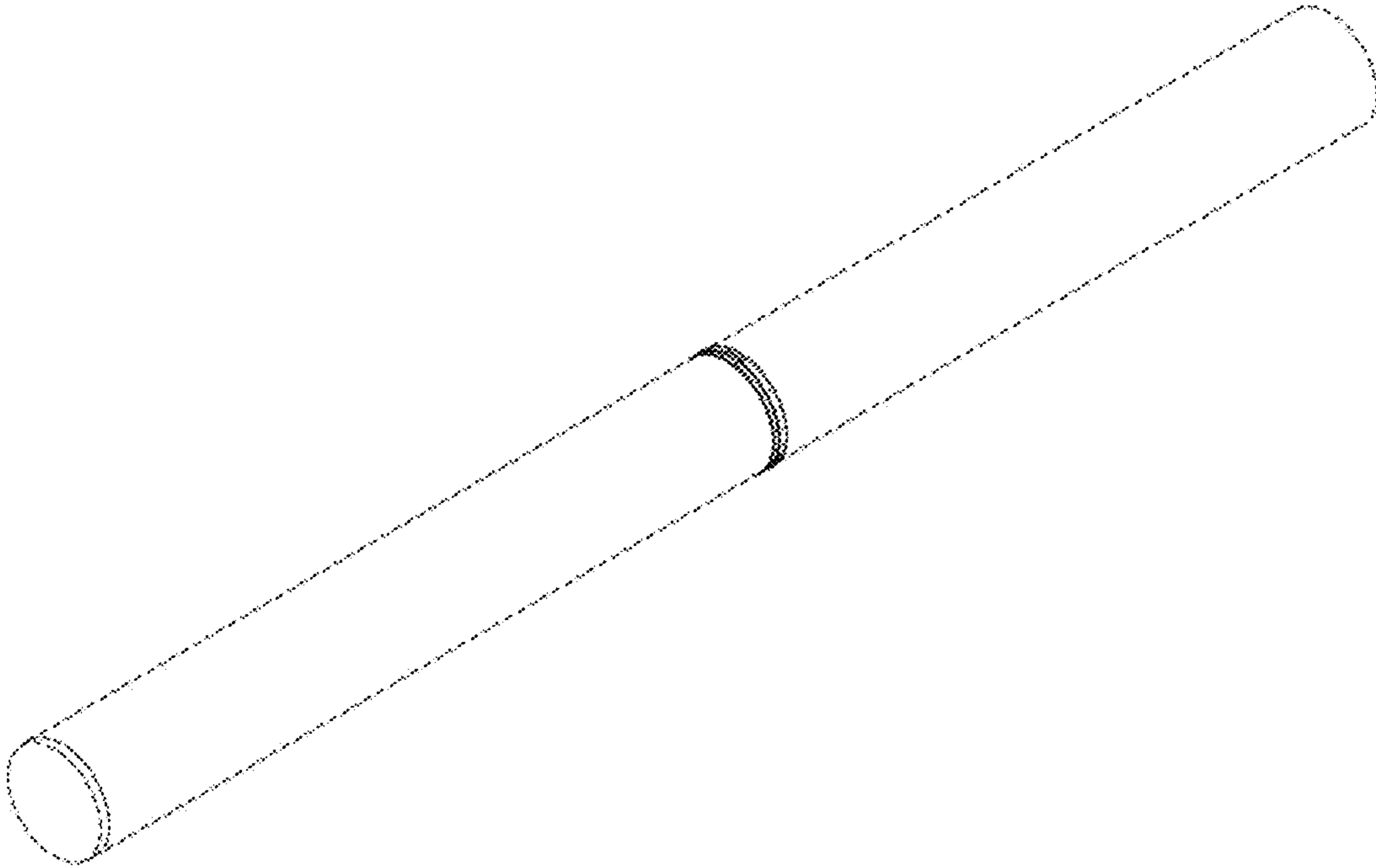


FIG. 2

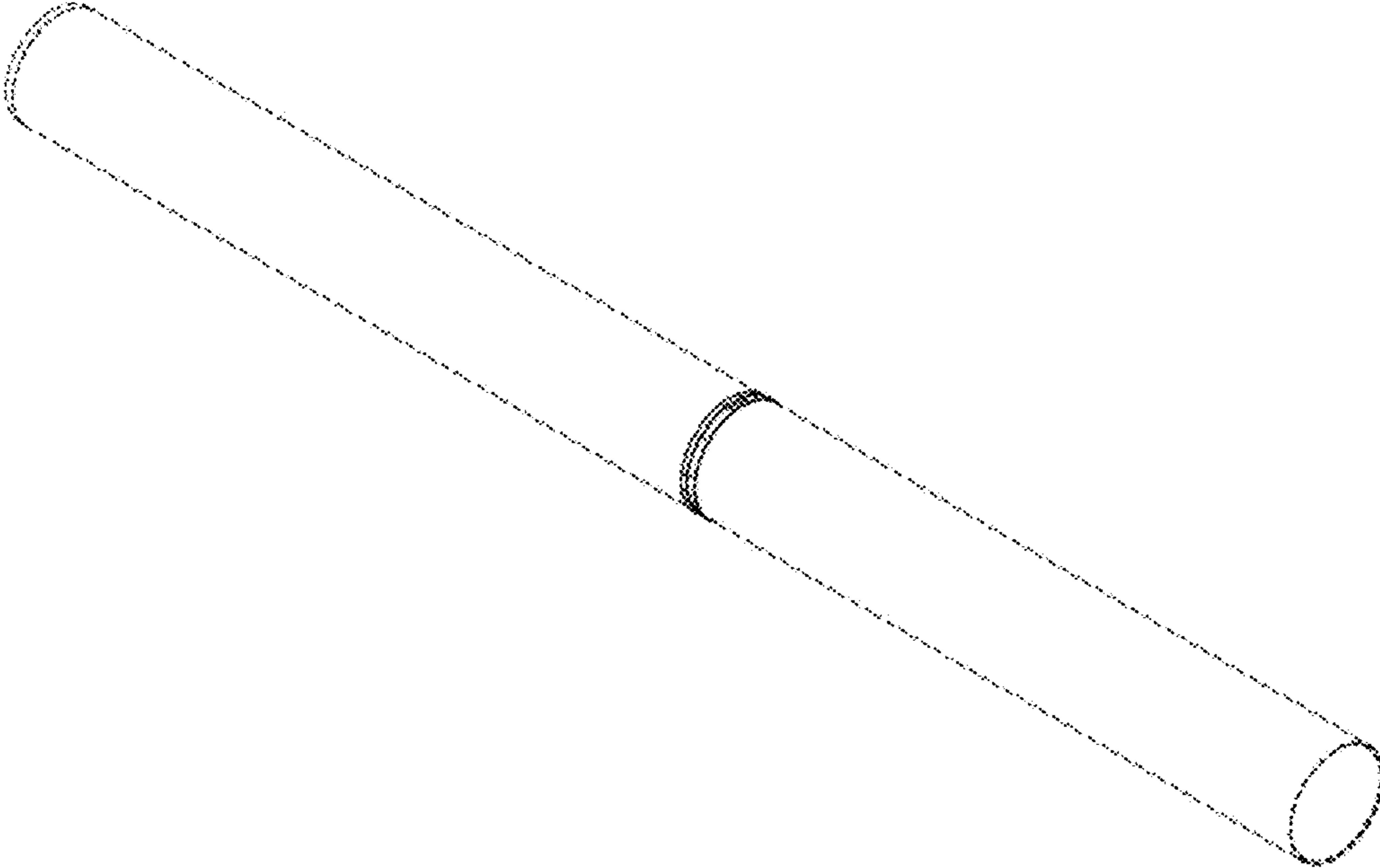


FIG. 3



FIG. 4

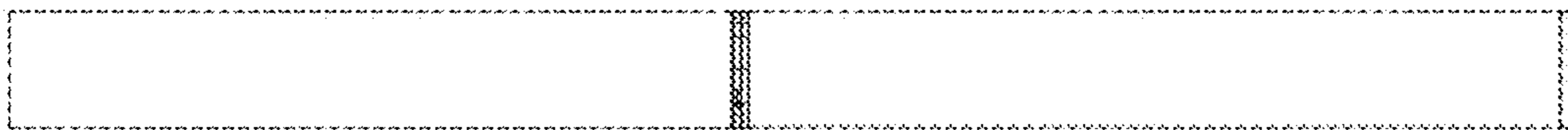


FIG. 5



FIG. 6

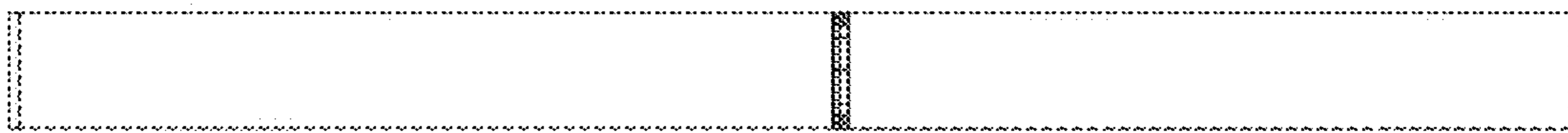


FIG. 7

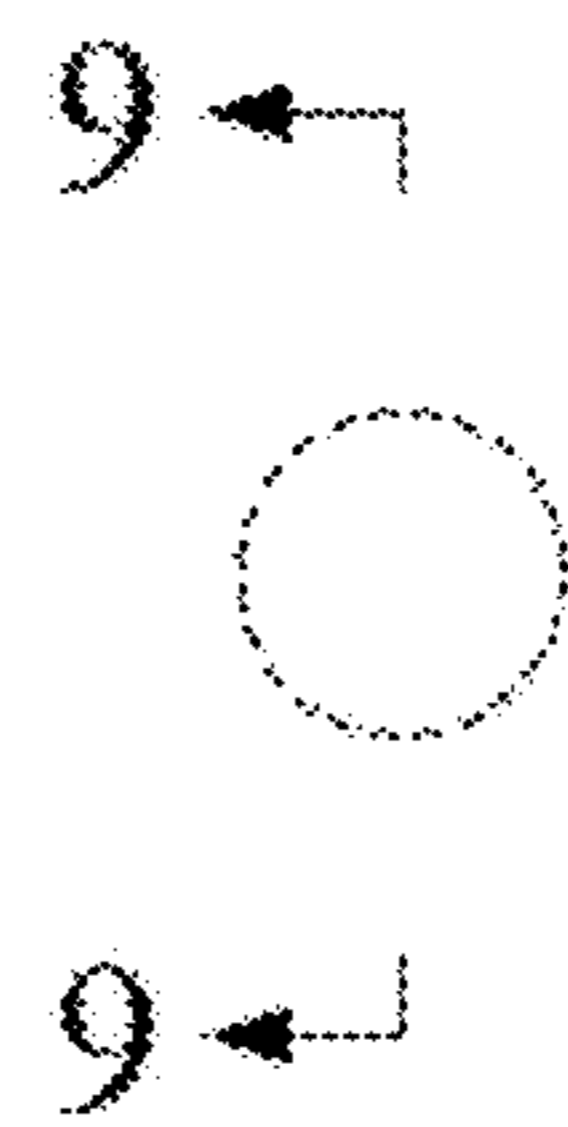


FIG. 8



FIG. 9

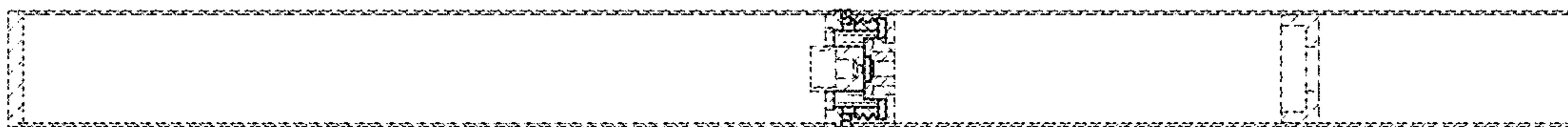


FIG. 10

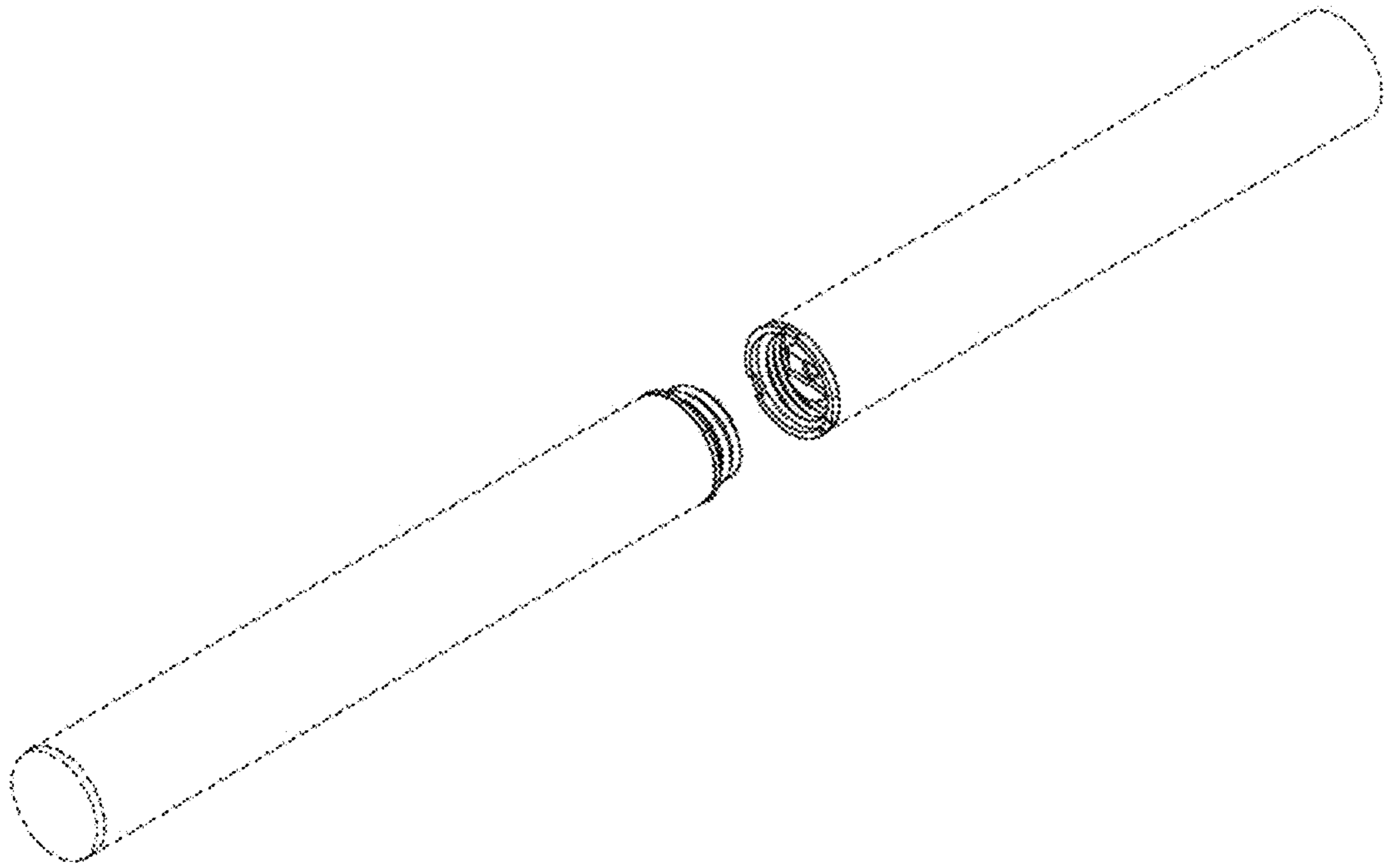


FIG. 11

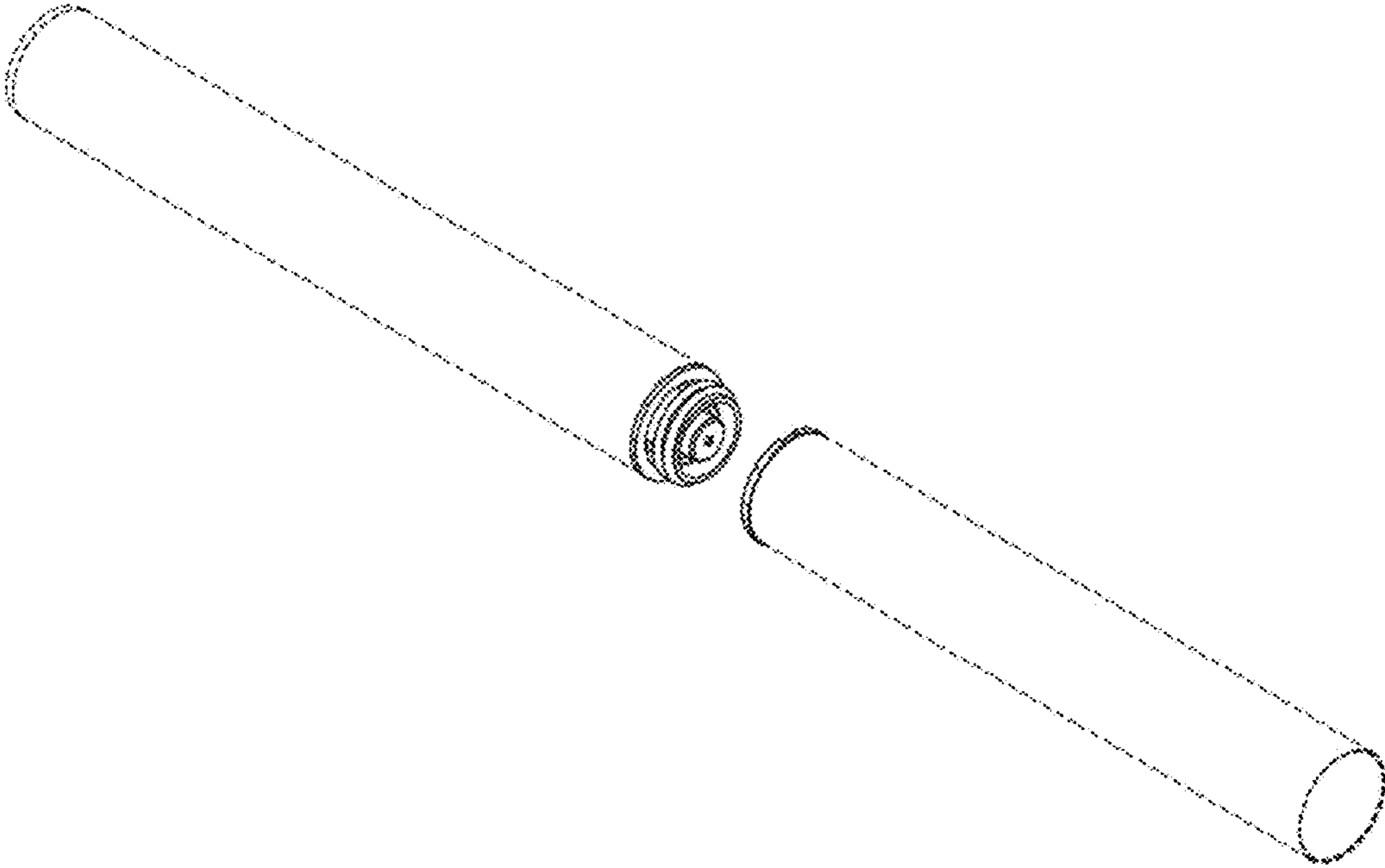


FIG. 12

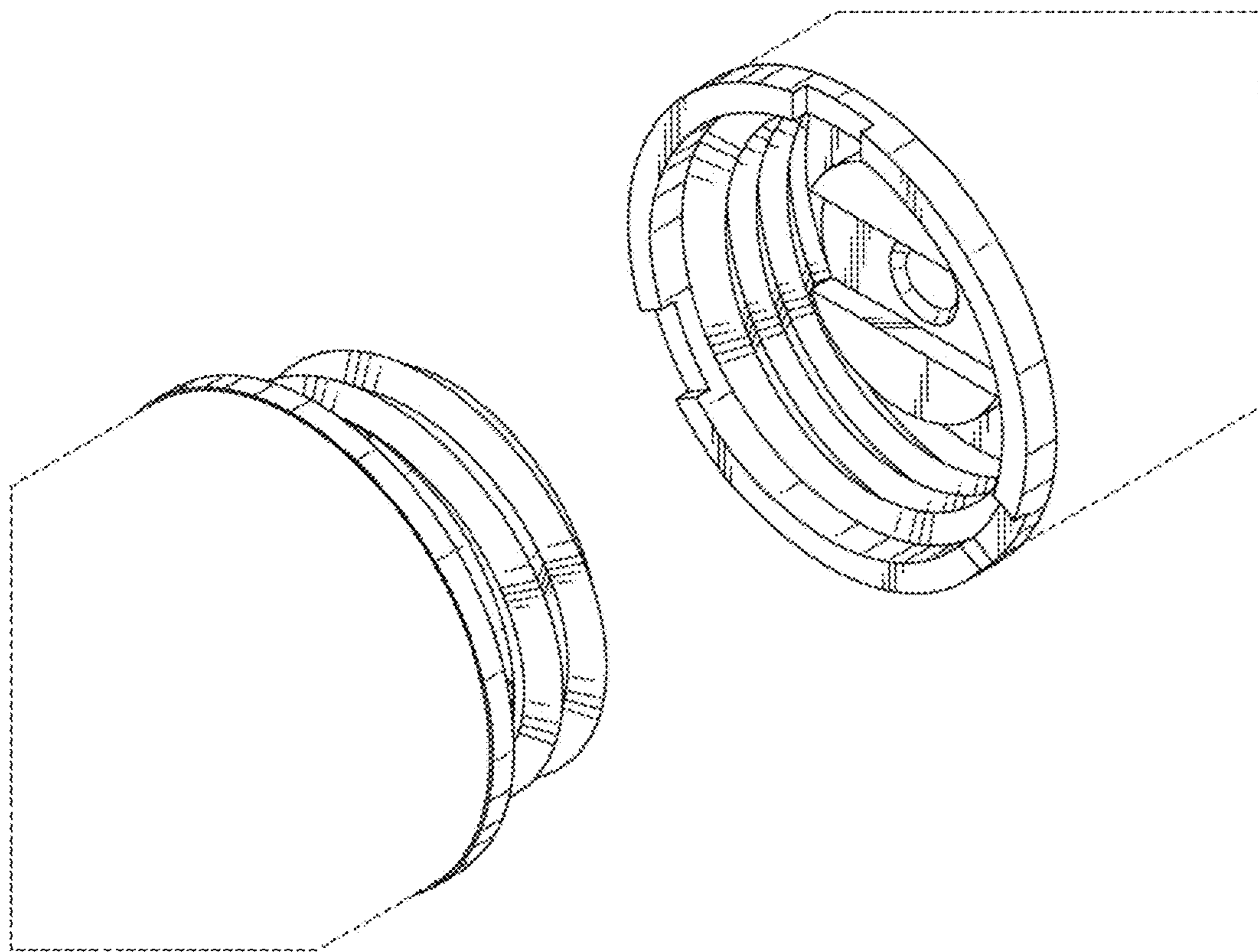


FIG. 13

