



US00D811001S

(12) **United States Design Patent** (10) **Patent No.:** **US D811,001 S**
Fitzwater, II et al. (45) **Date of Patent:** **** Feb. 20, 2018**

(54) **CORDLESS DECORATIVE LAMP FOR INTERCHANGEABLE BASES**

(71) Applicants: **Stephen Travis Fitzwater, II**, Fort Worth, TX (US); **Carrie Marie Fitzwater**, Fort Worth, TX (US)

(72) Inventors: **Stephen Travis Fitzwater, II**, Fort Worth, TX (US); **Carrie Marie Fitzwater**, Fort Worth, TX (US)

(**) Term: **15 Years**

(21) Appl. No.: **29/572,915**

(22) Filed: **Aug. 1, 2016**

Related U.S. Application Data

(63) Continuation of application No. 29/491,418, filed on May 21, 2014, now Pat. No. Des. 762,918.

(51) **LOC (11) Cl.** **26-05**

(52) **U.S. Cl.**
USPC **D26/142**

(58) **Field of Classification Search**

USPC D26/76, 78, 79, 80, 81, 82, 83, 85, 86, D26/88, 90, 113, 118, 119, 120, 121, 122, D26/138, 139, 140, 141, 142, 152, 154

(Continued)

(56) **References Cited**

U.S. PATENT DOCUMENTS

D425,655 S * 5/2000 Dolan D26/142
D433,168 S 10/2000 Cousins
D440,701 S * 4/2001 Lin D26/142
D487,163 S * 2/2004 Humphrey D26/142

(Continued)

Primary Examiner — George D. Kirschbaum

Assistant Examiner — Natasha Vujcic

(74) *Attorney, Agent, or Firm* — James E. Walton

(57) **CLAIM**

We claim, the ornamental design for a cordless decorative lamp for interchangeable bases, as shown and described.

DESCRIPTION

FIG. 1 is a perspective view of a cordless decorative lamp for interchangeable bases according to the present application.

FIG. 2 is a front view of the cordless decorative lamp for interchangeable bases of FIG. 1 shown with a lamp shade. The back view of the cordless decorative lamp for interchangeable bases is identical to the front view.

FIG. 3 is a left side view of the cordless decorative lamp for interchangeable bases of FIG. 1 shown with a lamp shade. The right side view of the cordless decorative lamp for interchangeable bases is identical to the left side view.

FIG. 4 is a top view of the cordless decorative lamp for interchangeable bases of FIG. 1 shown with a lamp shade.

FIG. 5 is a bottom view of the cordless decorative lamp for interchangeable bases of FIG. 1 shown with a lamp shade.

FIG. 6 is a perspective view of a cordless decorative lamp for interchangeable bases shown interchangeably connected to a floor stand according to the present application, the internal frame of the lamp shade is removed for clarity.

FIG. 7 is a perspective view of a cordless decorative lamp for interchangeable bases shown interchangeably connected to a table stand according to the present application, the internal frame of the lamp shade is removed for clarity.

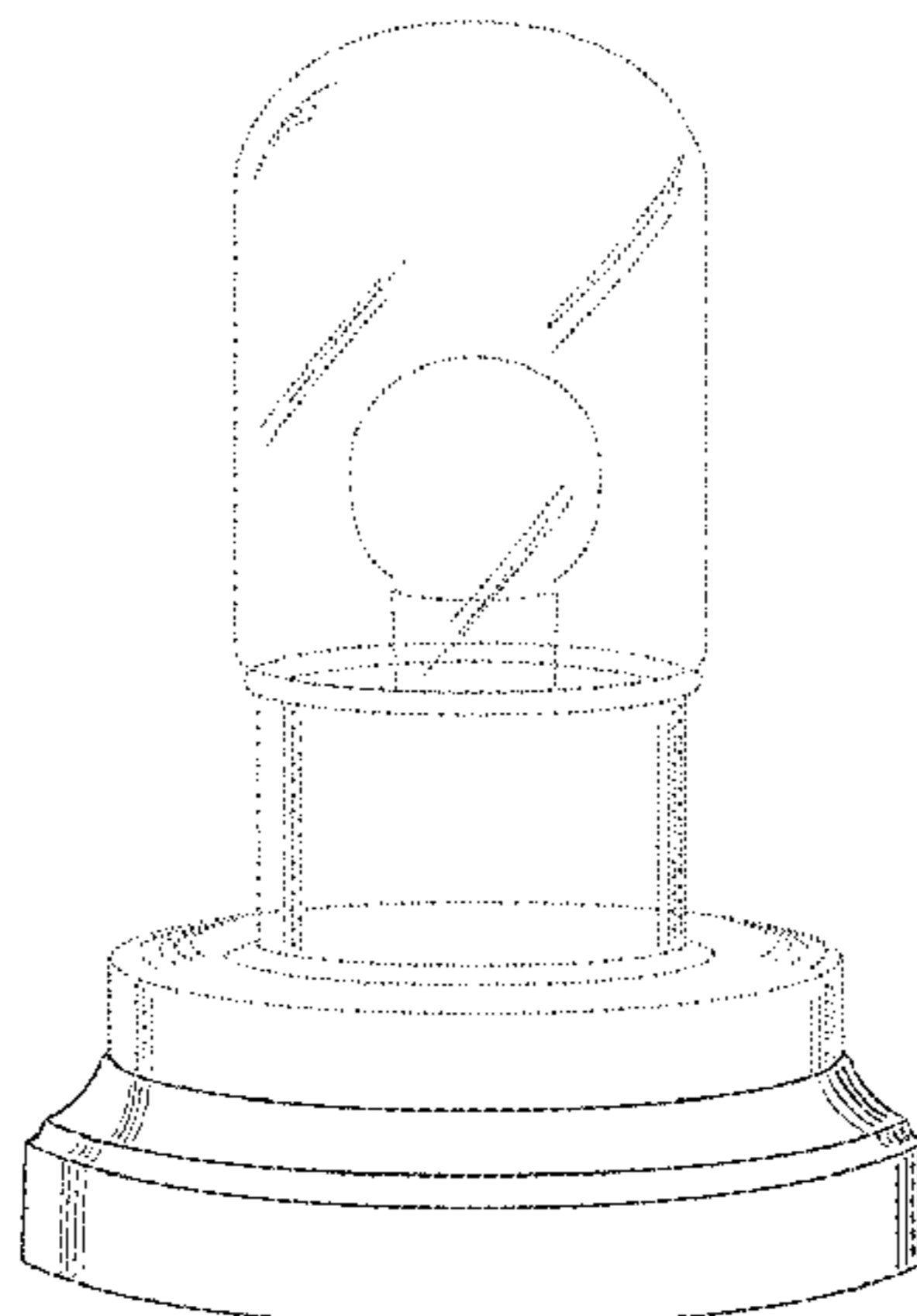
FIG. 8 is a perspective view of a cordless decorative lamp for interchangeable bases shown interchangeably connected to a hanging floor stand according to the present application, the internal frame of the lamp shade is removed for clarity.

FIG. 9 is a perspective view of a cordless decorative lamp for interchangeable bases shown interchangeably connected to a decorative vase stand according to the present application, the internal frame of the lamp shade is removed for clarity; and,

FIG. 10 is a perspective view of a cordless decorative lamp for interchangeable bases shown interchangeably connected to a hanging wall bracket according to the present application, the internal frame of the lamp shade is removed for clarity.

The broken lines in the drawings illustrate the environment of the cordless decorative lamp for interchangeable bases which form no part of the claimed design.

1 Claim, 8 Drawing Sheets



(58) **Field of Classification Search**

CPC F21S 2/00; F21S 4/00; F21S 4/003; F21S
 4/005; F21S 4/006; F21S 4/007; F21S
 4/008; F21S 6/00; F21S 8/00; F21S
 8/024; F21S 8/026; F21S 8/031; F21S
 8/033; F21S 8/035-8/037; F21S 8/04;
 F21S 8/043; F21S 8/063

See application file for complete search history.

(56) **References Cited**

U.S. PATENT DOCUMENTS

D488,252	S *	4/2004	Benghozi	D26/118
D542,437	S	5/2007	Snow	
D591,448	S *	4/2009	Huang	D26/142
D604,896	S	11/2009	Chen	
D615,698	S *	5/2010	Weiss	D26/142
D622,443	S *	8/2010	Huang	D26/142
8,079,724	B1	12/2011	Klaver	
D682,448	S	5/2013	Nugent	
D700,737	S *	3/2014	Campagna	D26/142
8,906,262	B2	12/2014	Tian	
9,016,896	B1	4/2015	Roudeski	
D733,944	S	7/2015	Cohaniam	
D735,466	S *	8/2015	Akin	D13/103
D735,933	S *	8/2015	Campagna	D26/142
D737,497	S *	8/2015	Burgess	D26/113
D762,918	S *	8/2016	Fitzwater, II	D26/142
D764,097	S *	8/2016	Hamel	D26/128
2009/0303702	A1 *	12/2009	Ellis	F21S 9/02 362/183
2012/0188754	A1	7/2012	Fitzwater, II	

* cited by examiner

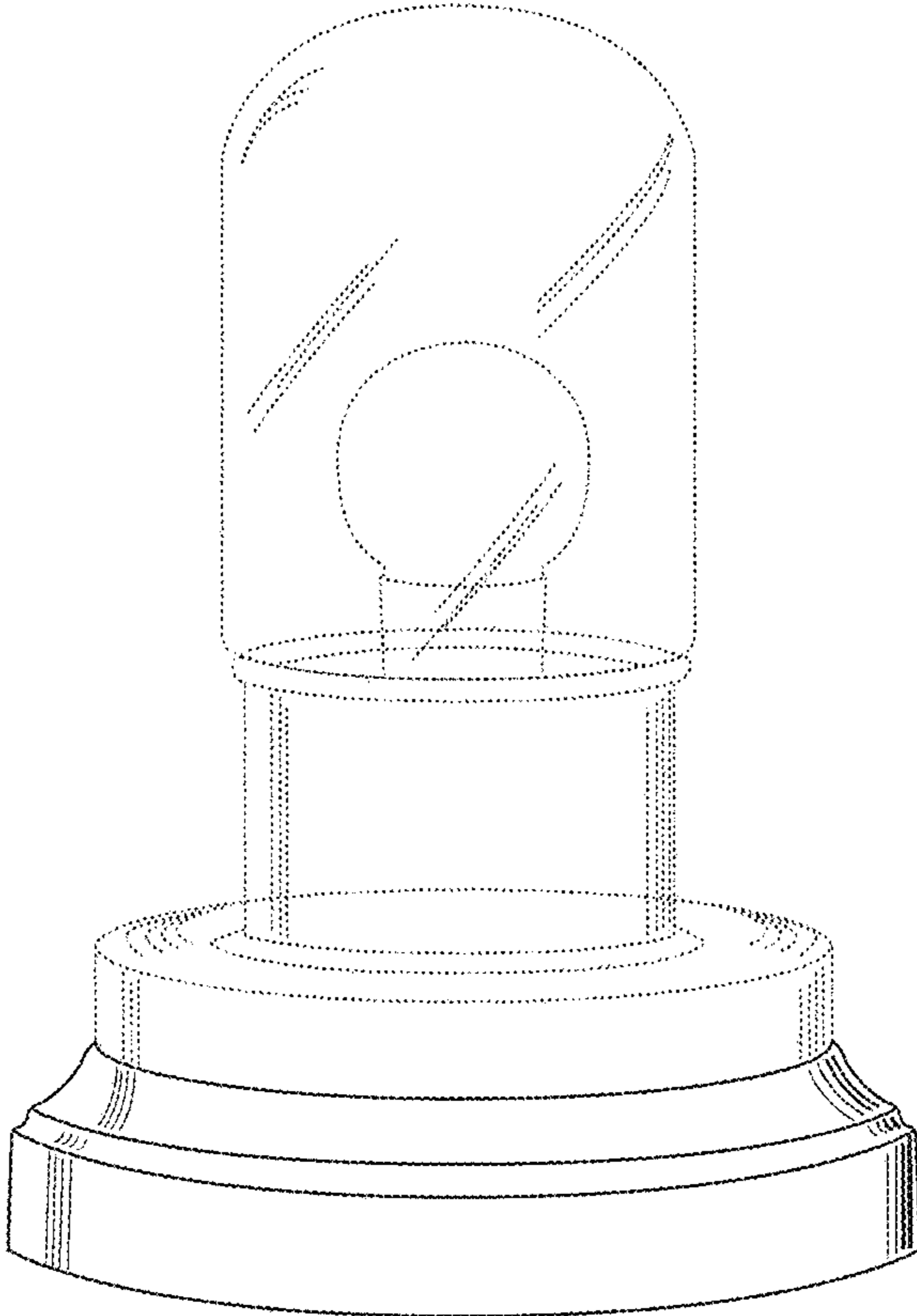


Figure 1

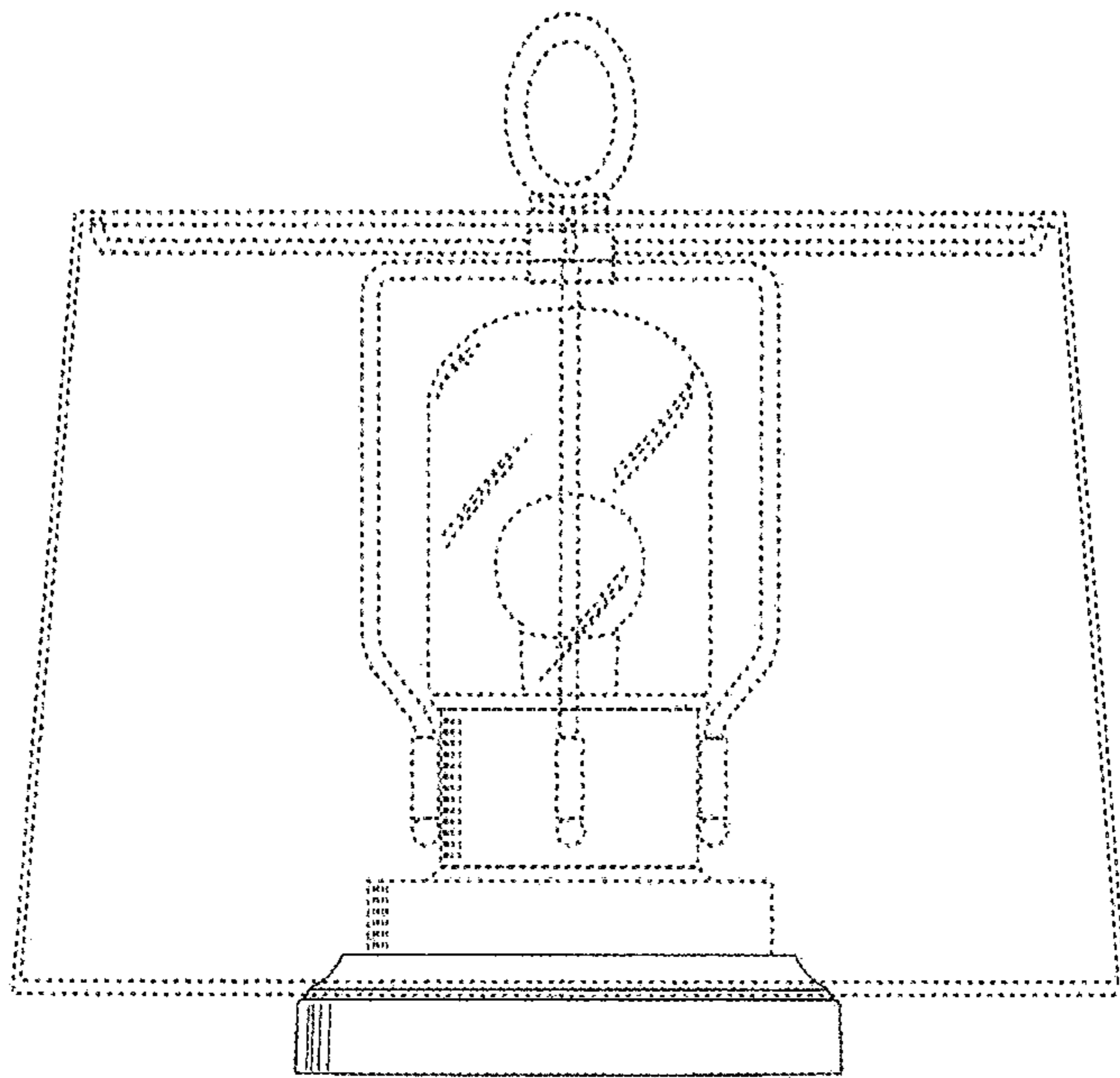


Figure 2

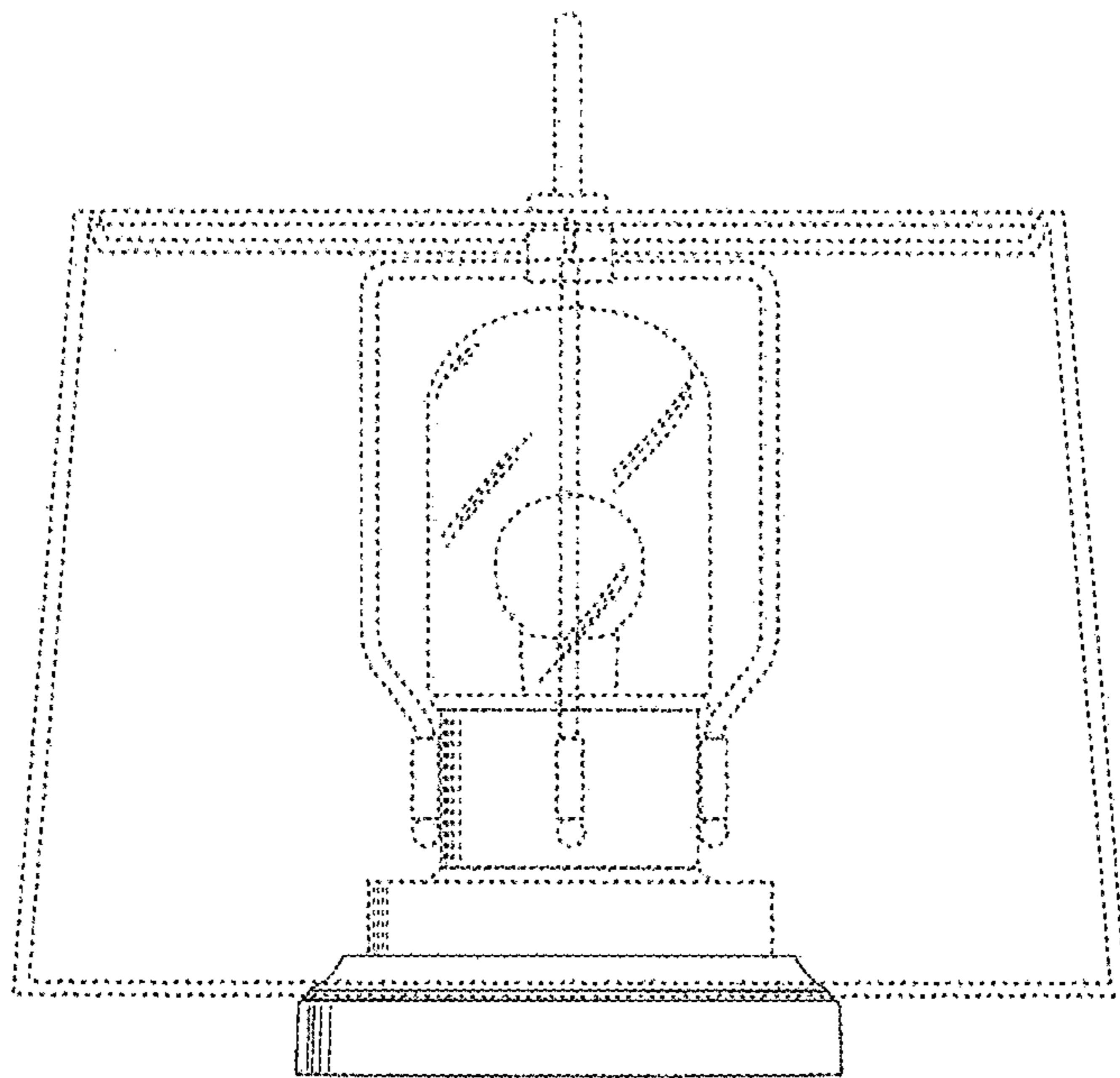


Figure 3

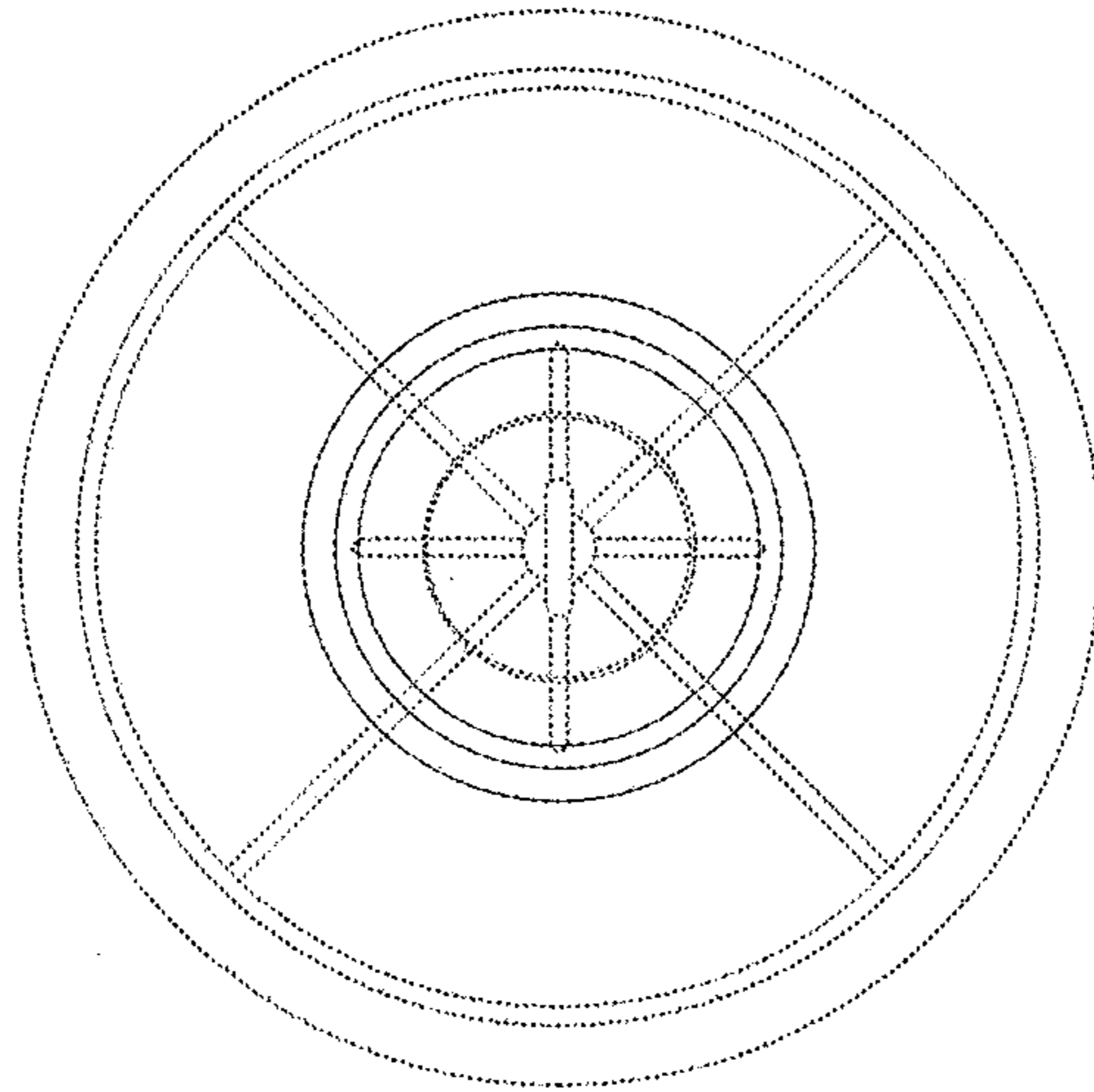


Figure 4

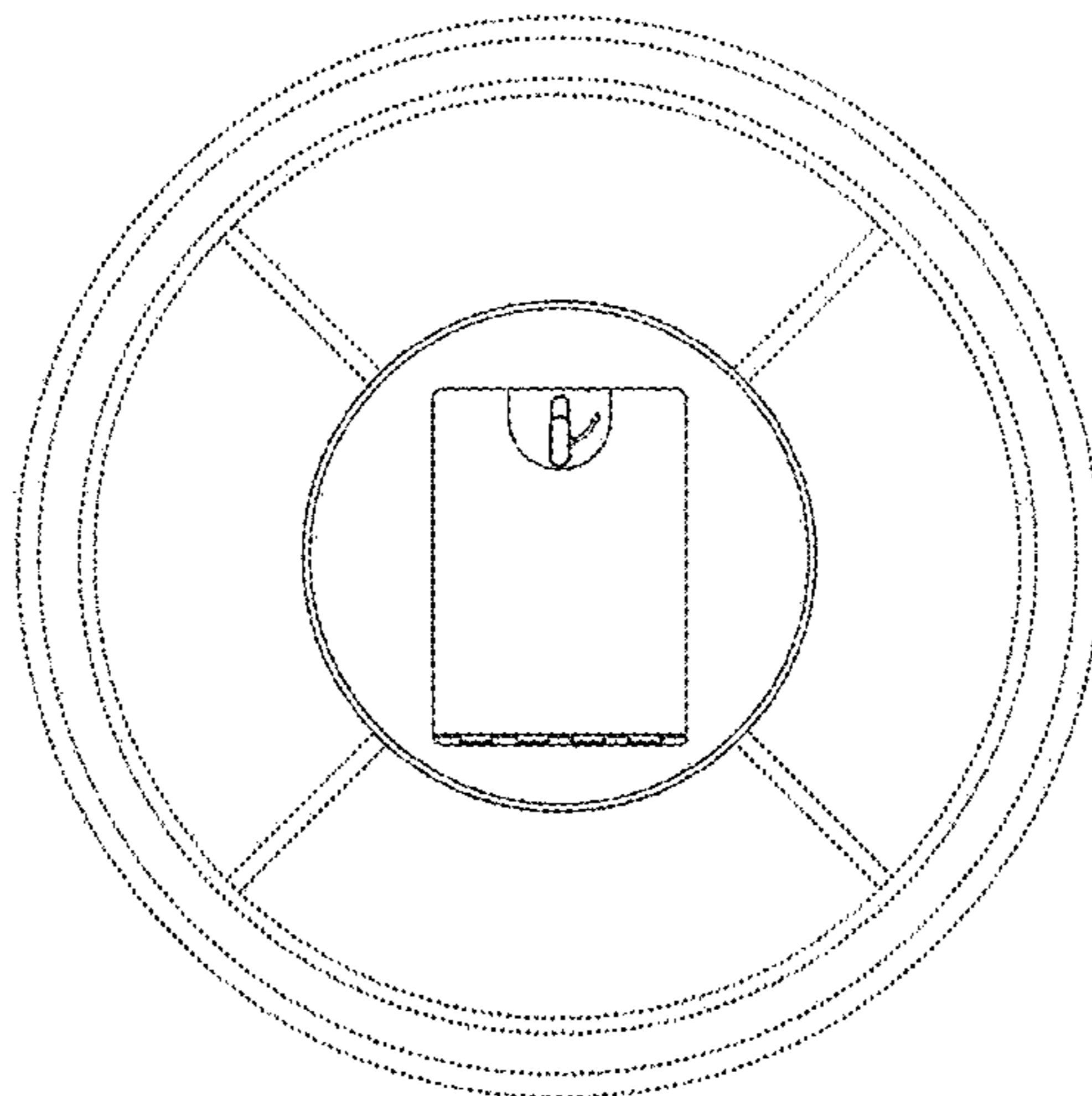


Figure 5

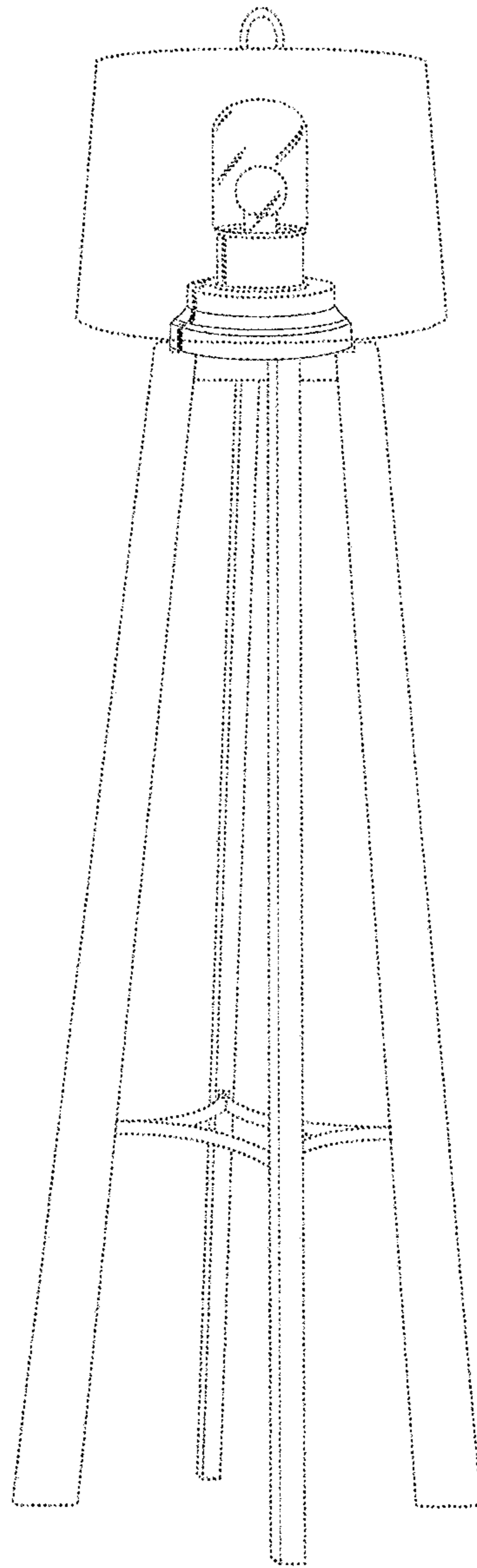


Figure 6

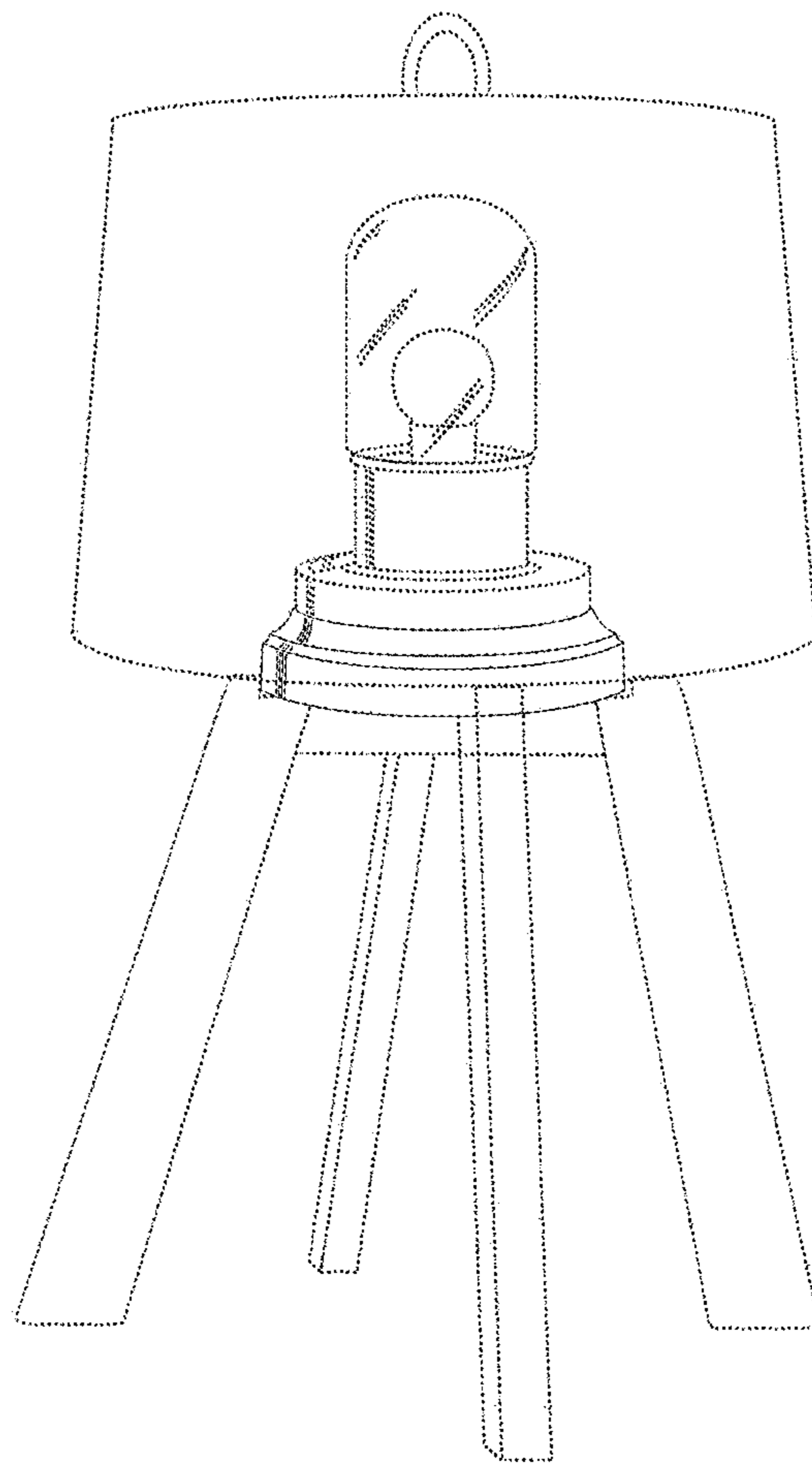


Figure 7

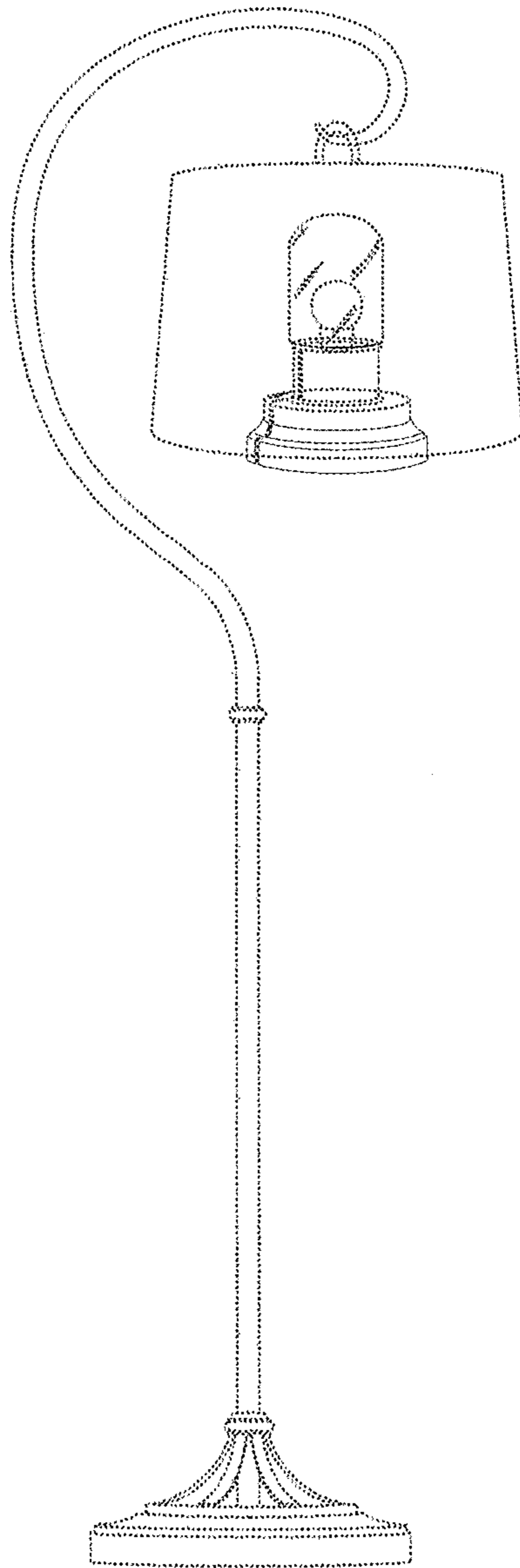


Figure 8

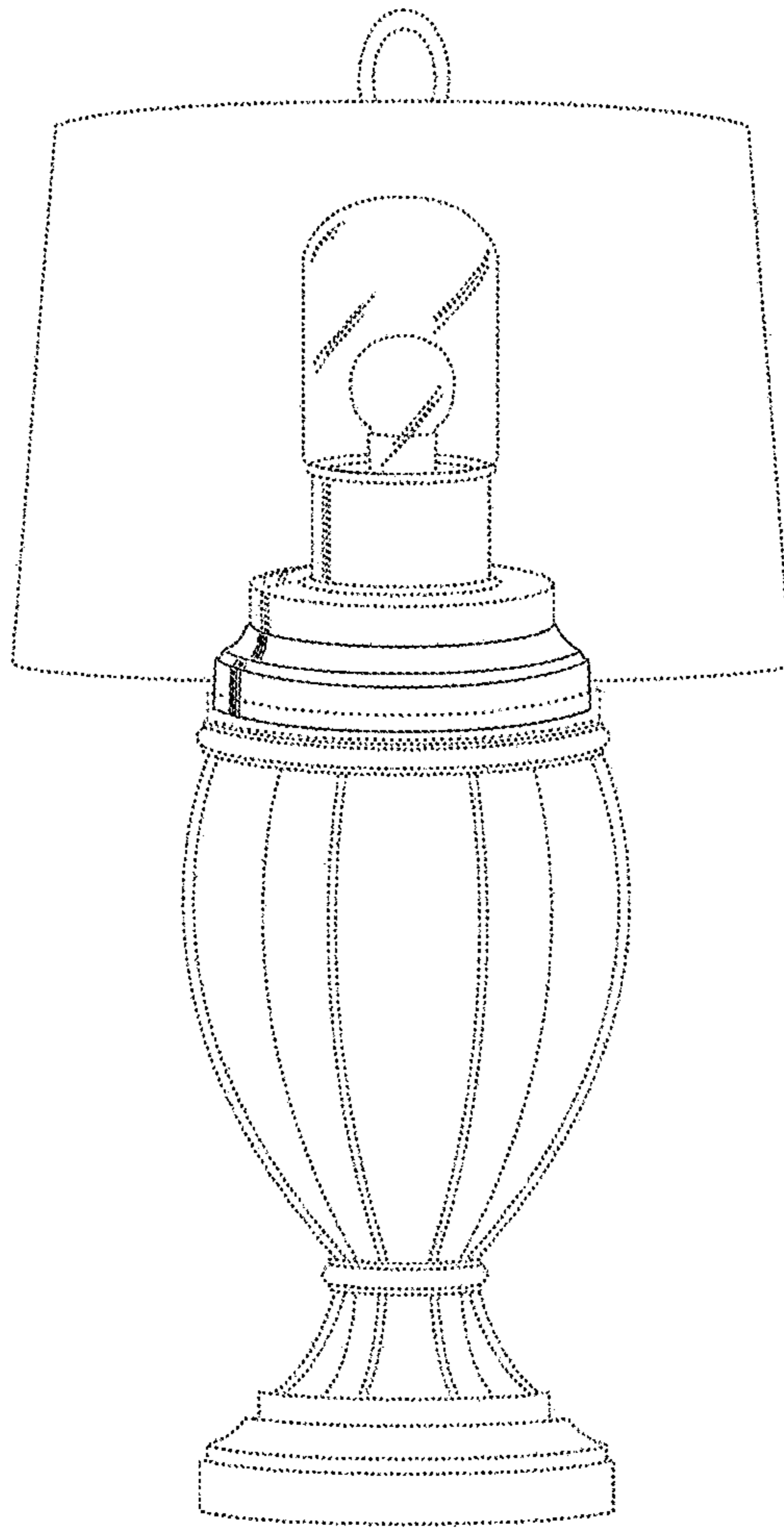


Figure 9

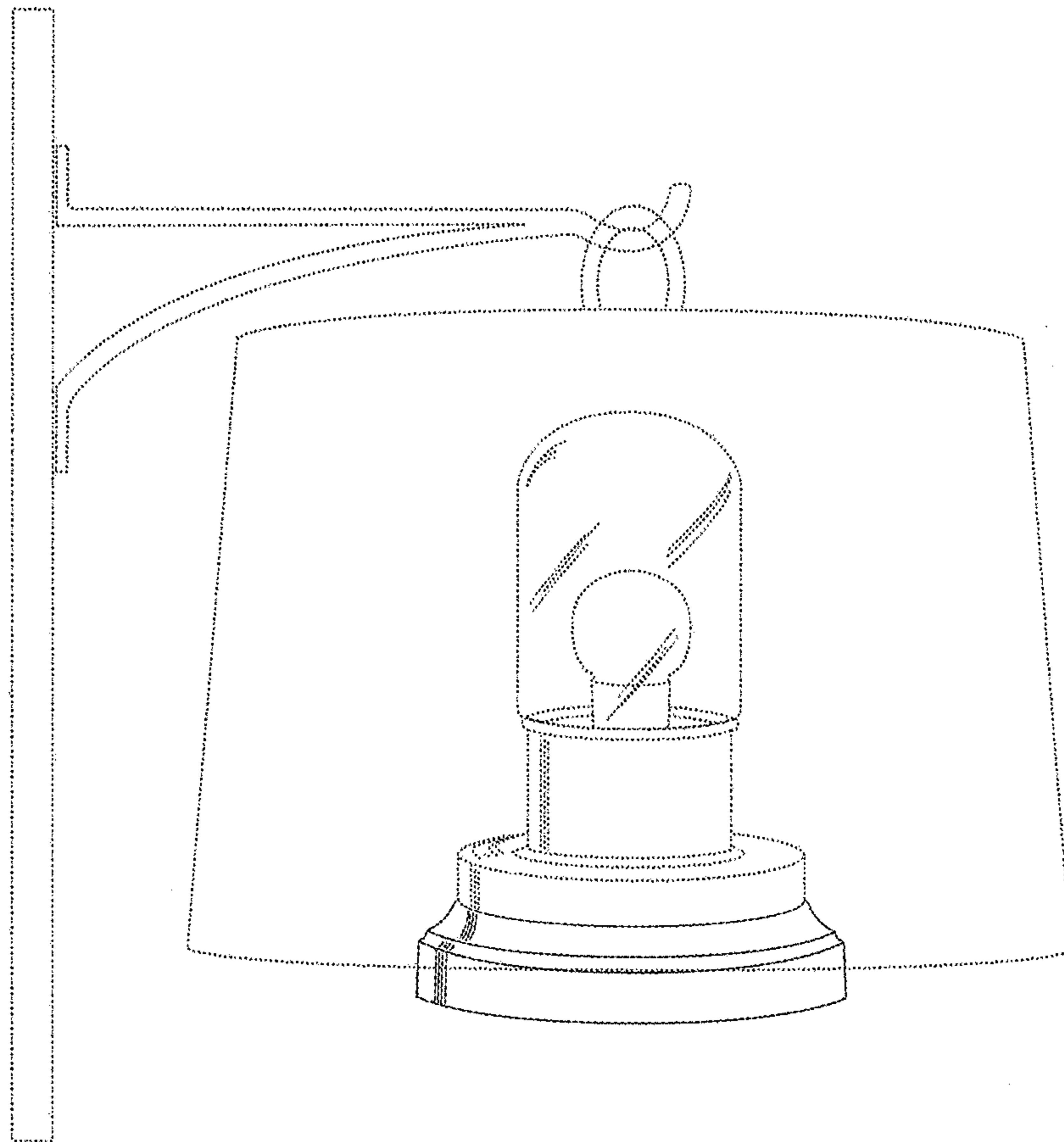


Figure 10