



US00D810997S

(12) **United States Design Patent** (10) **Patent No.:** **US D810,997 S**  
**Rashidi Doust** (45) **Date of Patent:** **\*\* Feb. 20, 2018**

(54) **RING FOR RECESSED LIGHTING**

5,915,580 A \* 6/1999 Melk ..... B65D 23/08  
215/386

(71) Applicant: **ELITE LIGHTING**, Commerce, CA (US)

D416,814 S \* 11/1999 Welsh ..... D10/31

6,105,334 A 8/2000 Monson

6,226,939 B1 5/2001 Atkins

7,320,536 B2 1/2008 Petrakis

7,670,033 B2 3/2010 Steer

D717,683 S \* 11/2014 Grinberg ..... D10/132

(72) Inventor: **Hamid Rashidi Doust**, Beverly Hills, CA (US)

(73) Assignee: **Elite Lighting**, Commerce, CA (US)

**FOREIGN PATENT DOCUMENTS**

(\*\*) Term: **14 Years**

EP 2484968 8/2012

GB 2270936 3/1994

GB 2415245 12/2005

GB 254449 5/2009

(21) Appl. No.: **29/523,147**

(22) Filed: **Apr. 7, 2015**

**OTHER PUBLICATIONS**

(51) **LOC (11) Cl.** ..... **26-99**

U.S. Appl. No. 14/555,029, filed Nov. 00, 2014, entitled "Downlight Firestop."

(52) **U.S. Cl.**

USPC ..... **D26/113**

(58) **Field of Classification Search**

USPC ..... D26/72, 89, 92, 118, 128-137, 152

CPC .. F21S 6/00; F21S 6/002; F21V 21/00; F21V

21/02; F21V 23/04; F21W 2121/00;

F21W 2131/20; F21W 2131/30; F41C

27/00

See application file for complete search history.

\* cited by examiner

*Primary Examiner* — Zenia Bennett

(74) *Attorney, Agent, or Firm* — Payam Moradian

(57) **CLAIM**

I claim the ornamental design for a ring for recessed lighting, as shown and described.

(56) **References Cited**

**DESCRIPTION**

**U.S. PATENT DOCUMENTS**

3,477,285 A \* 11/1969 Bird ..... G01B 7/18

174/135

3,915,534 A \* 10/1975 Yonkers ..... H01H 9/085

174/71 R

D312,980 S \* 12/1990 Kawashima ..... D10/132

5,005,161 A \* 4/1991 Boilen ..... G04B 47/046

368/295

5,392,261 A \* 2/1995 Hsu ..... G04B 37/1413

368/281

FIG. 1 is a bottom view of the ring for recessed lighting made of an intumescent material;

FIG. 2 is a perspective bottom view thereof;

FIG. 3 is a perspective view thereof;

FIG. 4 is a front side view thereof. Each of the front side, rear view, left side, and right side views look identical; and,

FIG. 5 is a top view thereof.

**1 Claim, 5 Drawing Sheets**

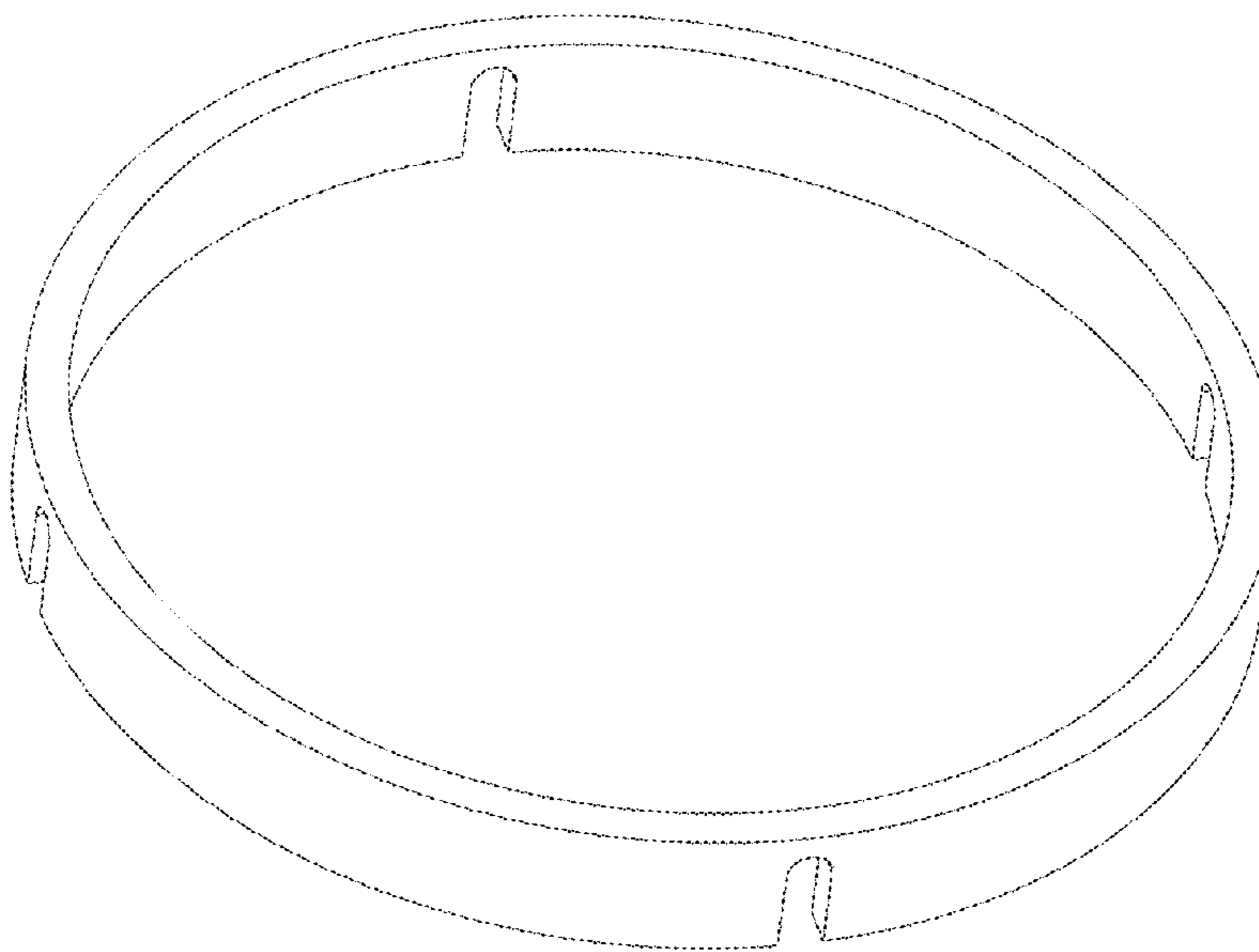


Figure 1

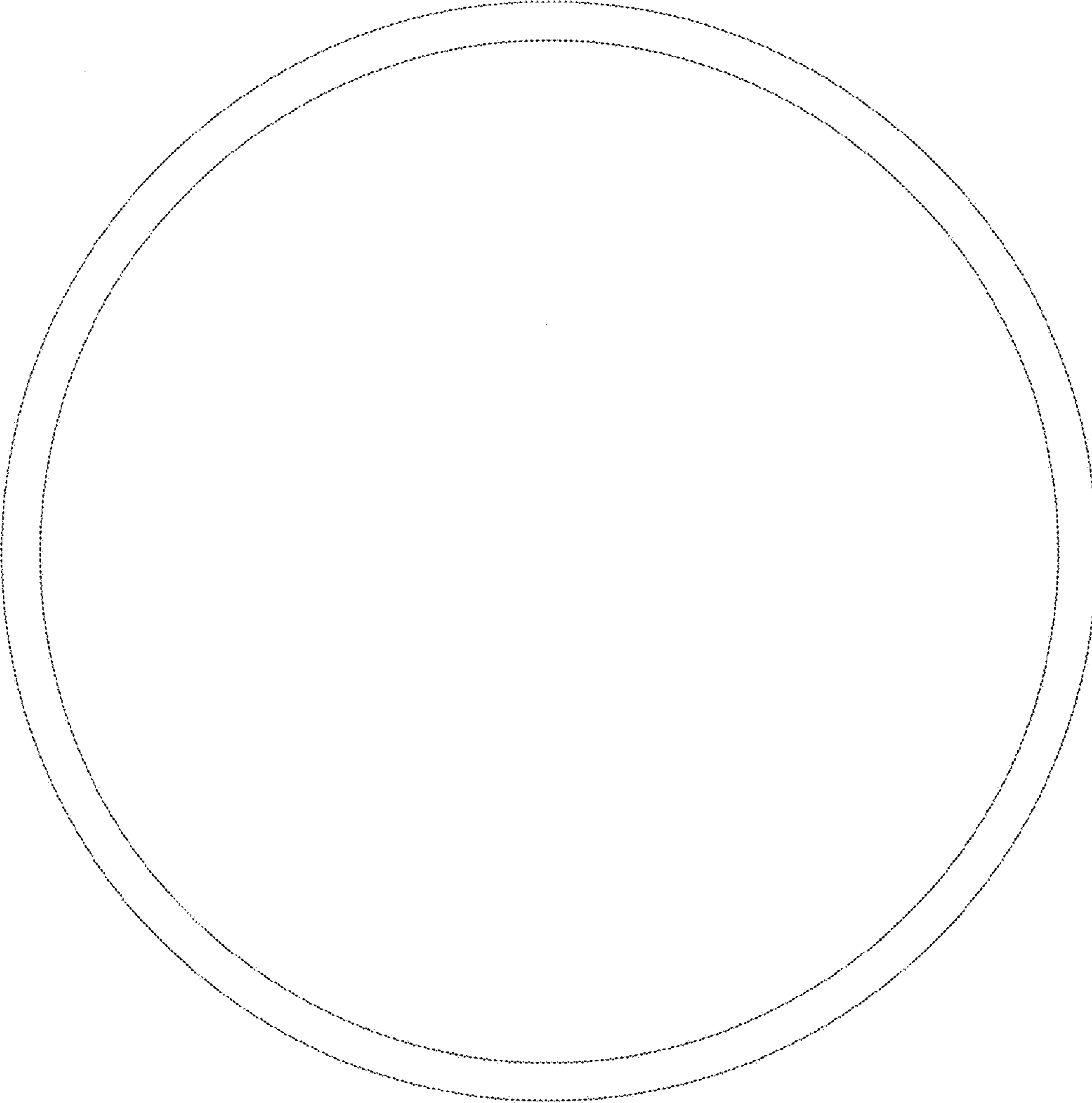


Figure 2

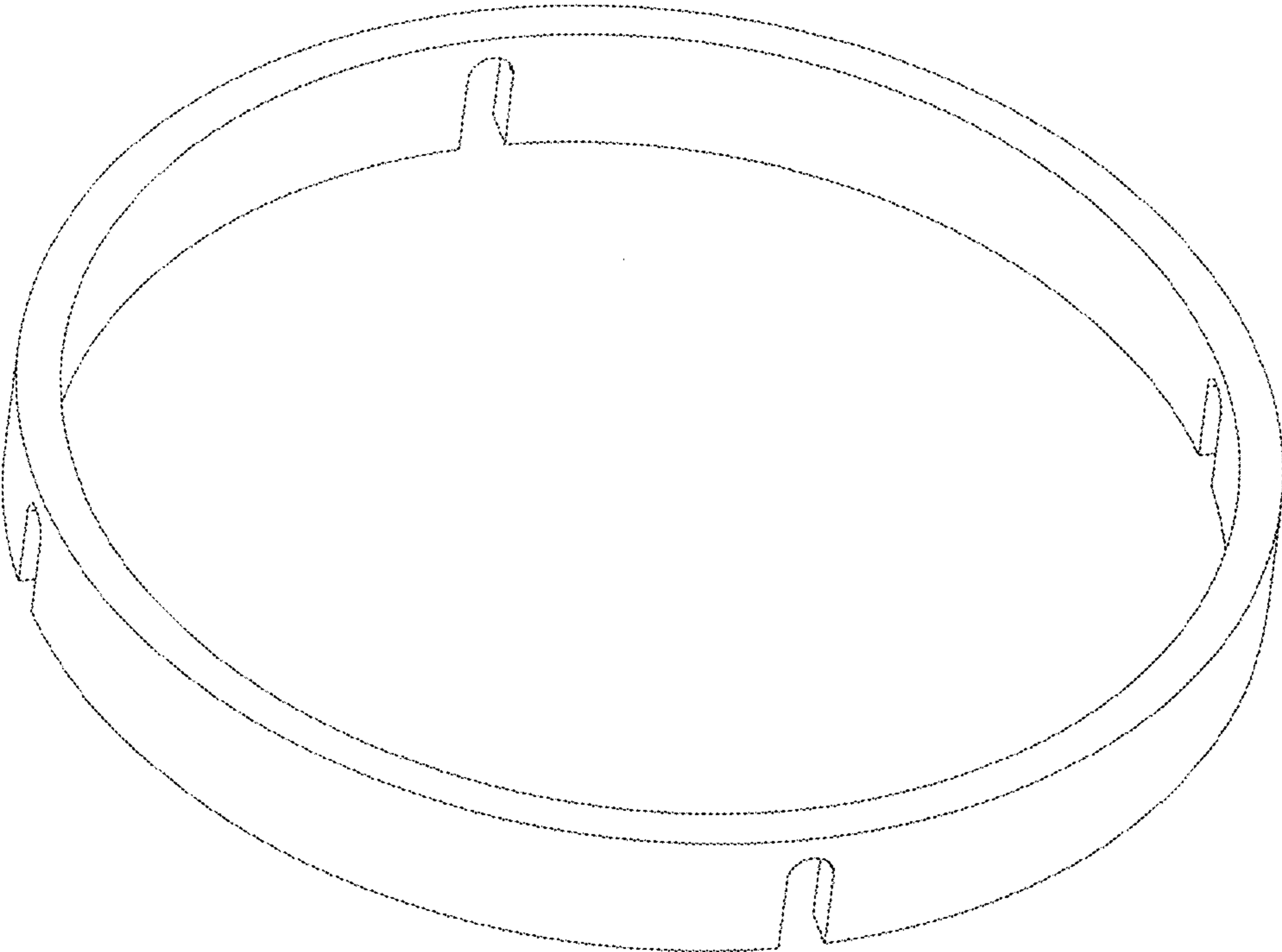


figure 3

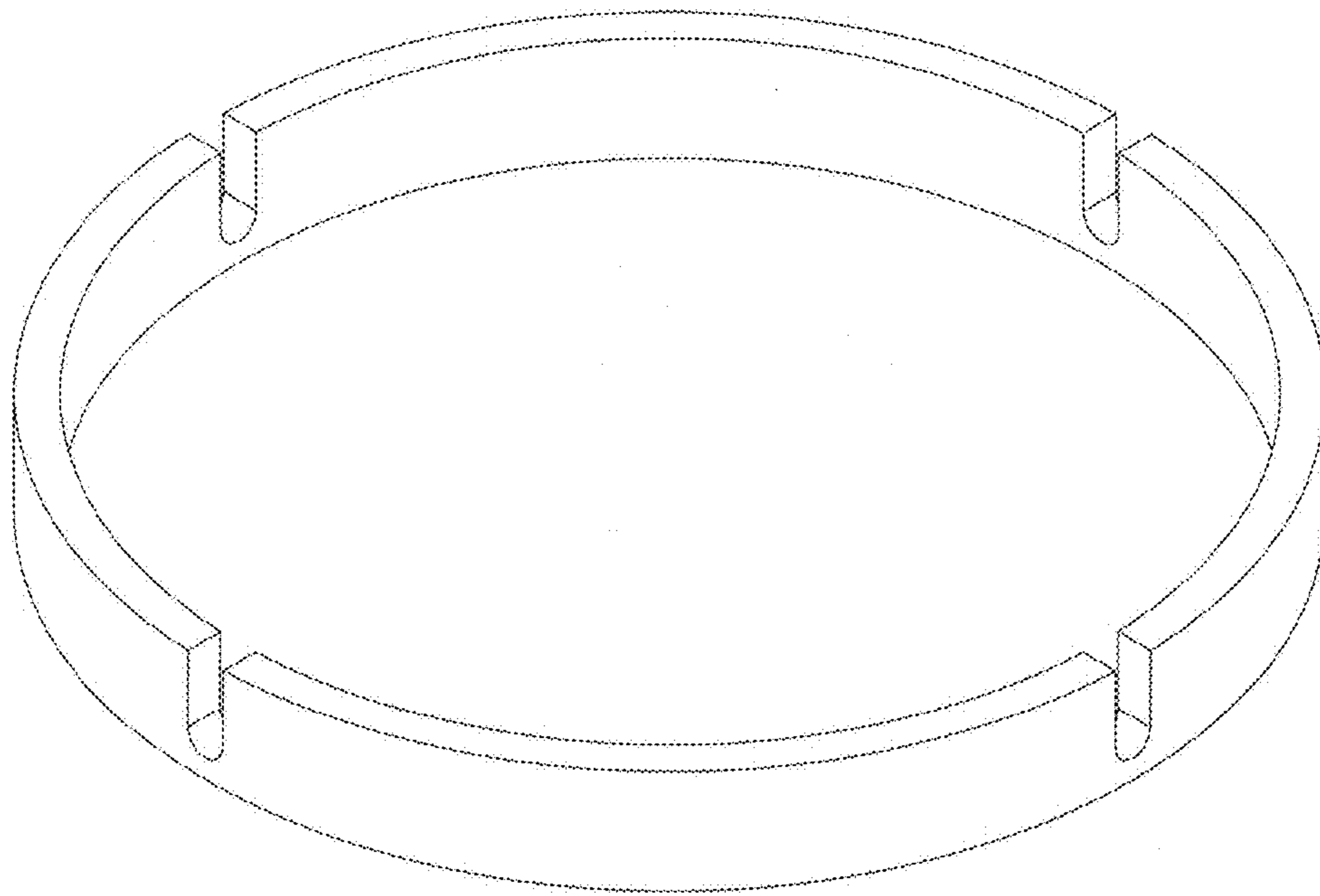


Figure 4

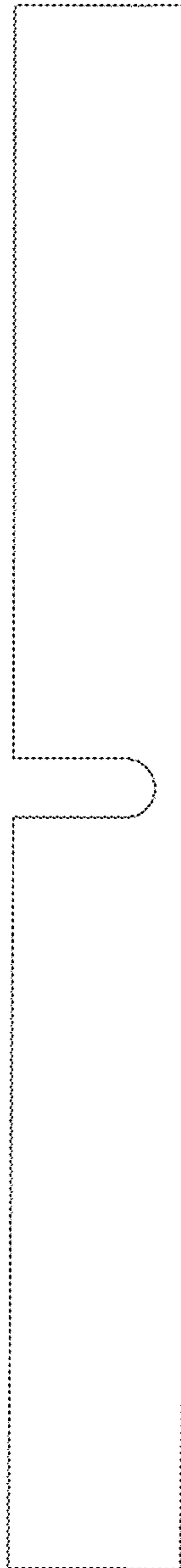


Figure 5

