



US00D810994S

(12) **United States Design Patent**
Yang

(10) **Patent No.:** **US D810,994 S**

(45) **Date of Patent:** **** Feb. 20, 2018**

(54) **LAMP**

D736,447 S * 8/2015 Rampolla D26/107
D769,512 S * 10/2016 Edgar D26/107
D781,489 S * 3/2017 Jiao D26/107

(71) Applicant: **Shenzhen Yuanrunxin Electronic Co., Ltd.**, Guangdong Province (CN)

* cited by examiner

(72) Inventor: **Tao Yang**, Guangdong Province (CN)

Primary Examiner — Brian N Vinson

(**) Term: **15 Years**

(74) *Attorney, Agent, or Firm* — Prakash Nama; Global IP Services, PLLC

(21) Appl. No.: **29/560,465**

(22) Filed: **Apr. 7, 2016**

(51) **LOC (11) Cl.** **26-03**

(52) **U.S. Cl.**
USPC **D26/107**

(58) **Field of Classification Search**

USPC D26/1, 24, 93, 104, 106, 107, 109, 110,
D26/62

CPC F21S 6/00; F21S 6/043; F21S 8/08; F21V
21/00; F21V 21/02; F21W 2121/00;
F21W 2131/30

See application file for complete search history.

(56) **References Cited**

U.S. PATENT DOCUMENTS

D536,124 S * 1/2007 Liao D26/106
D556,363 S * 11/2007 Komar D26/106

(57) **CLAIM**

The ornamental design for a lamp, as shown and described.

DESCRIPTION

FIG. 1 is a front elevational view of a lamp showing my new design;

FIG. 2 is a rear elevational view thereof;

FIG. 3 is a left side view thereof;

FIG. 4 is a right side view thereof;

FIG. 5 is a top plan view thereof;

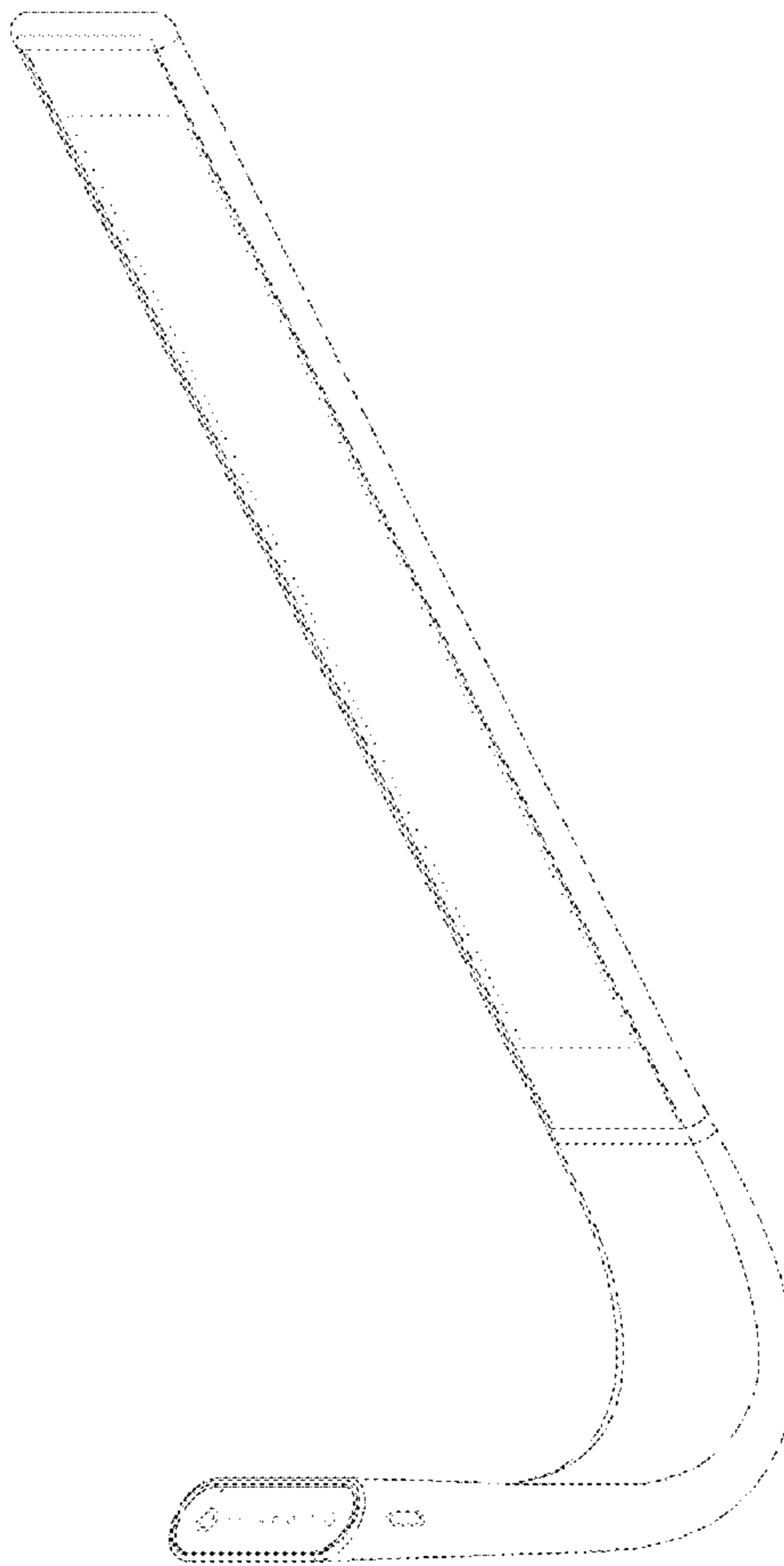
FIG. 6 is a bottom plan view thereof;

FIG. 7 is a perspective view thereof; and,

FIG. 8 is another perspective view thereof.

The broken lines shown in FIG. 7 form no part of the claimed design.

1 Claim, 4 Drawing Sheets



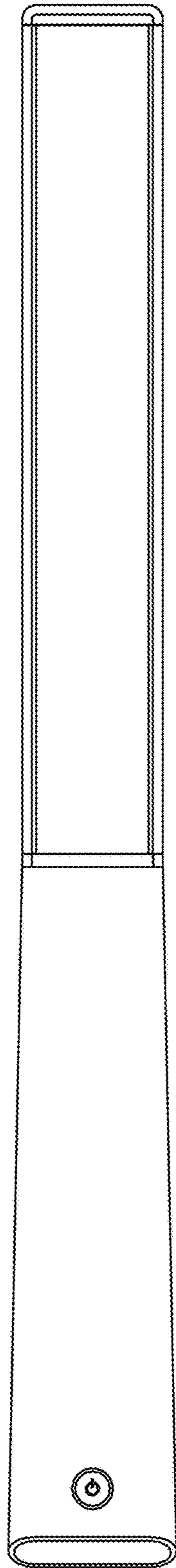


FIG. 1

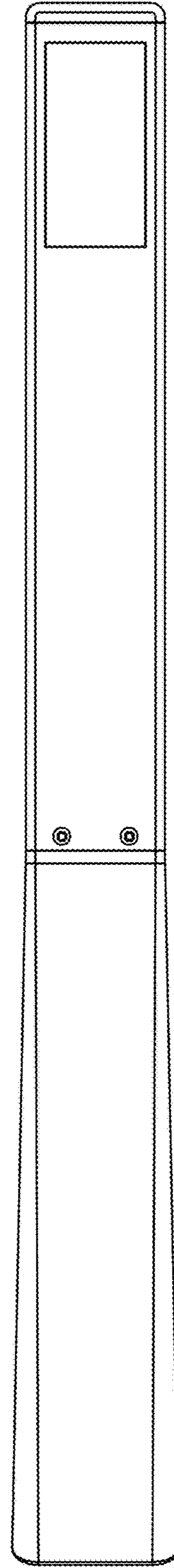


FIG. 2

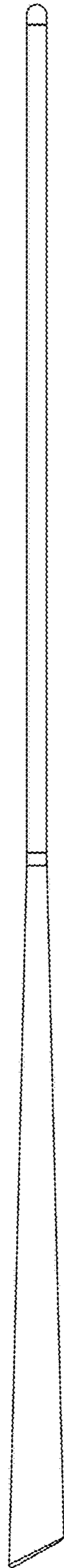


FIG. 3

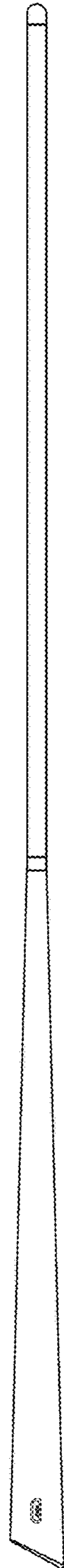


FIG. 4

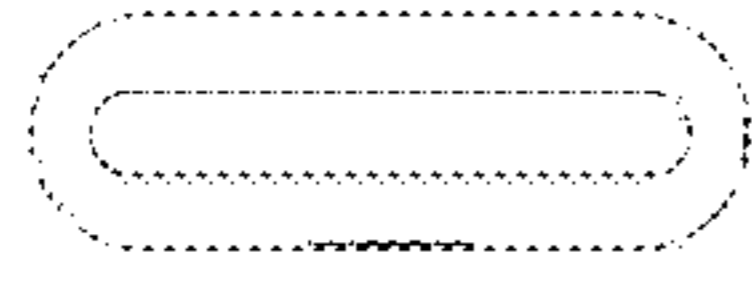


FIG. 5

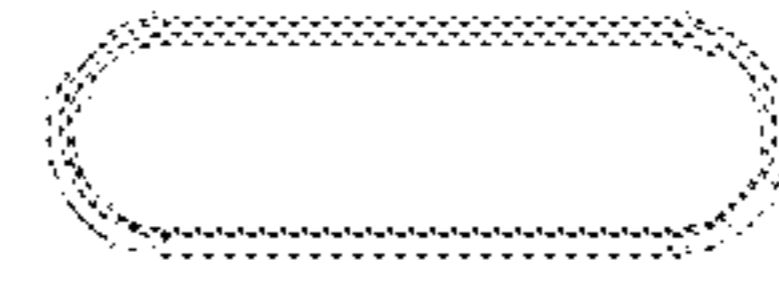


FIG. 6

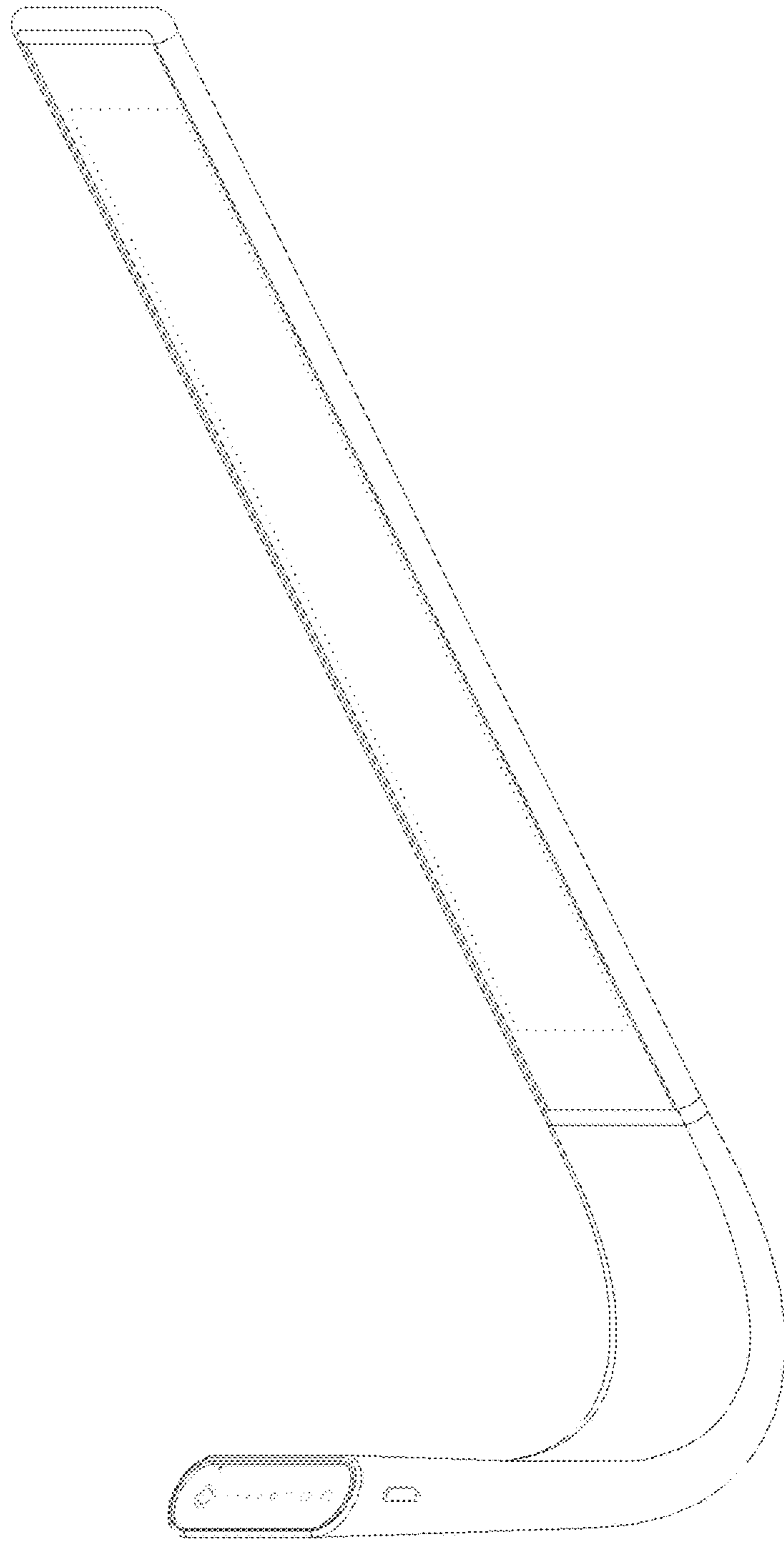


FIG. 7

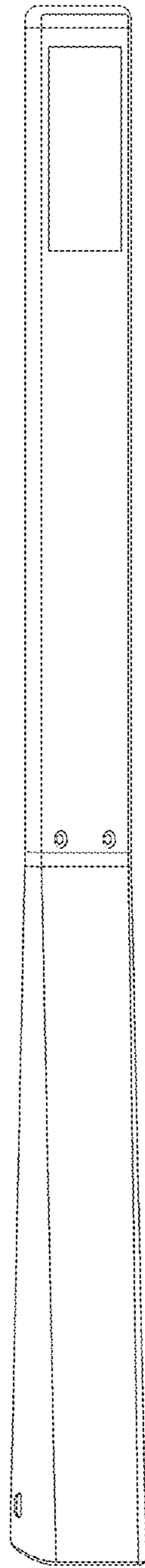


FIG. 8