



US00D810993S

(12) **United States Design Patent**  
**Genovese**

(10) **Patent No.:** **US D810,993 S**  
(45) **Date of Patent:** **\*\* Feb. 20, 2018**

(54) **CHANDELIER**

(71) Applicant: **H-07 SRL**, Milan (IT)

(72) Inventor: **Isabella Genovese**, Pieve di Soligo (IT)

(73) Assignee: **H-07 SRL**, Milan (IT)

(\*\*) Term: **15 Years**

(21) Appl. No.: **29/583,357**

(22) Filed: **Nov. 4, 2016**

(30) **Foreign Application Priority Data**

Jul. 28, 2016 (EM) ..... 003322163-0001

Jul. 28, 2016 (EM) ..... 003322163-0002

(Continued)

(51) **LOC (11) Cl.** ..... **26-03**

(52) **U.S. Cl.**

USPC ..... **D26/91**; D26/88

(58) **Field of Classification Search**

USPC ..... D26/72, 80, 81, 84, 85, 86, 88, 90, 91,  
D26/118, 138, 142

(Continued)

(56) **References Cited**

**U.S. PATENT DOCUMENTS**

D129,922 S \* 10/1941 Irmischer ..... D26/75

D155,064 S \* 9/1949 Baker ..... D26/86

(Continued)

**OTHER PUBLICATIONS**

Zenith Series architectural luminaires from prulite.com visited Mar. 16, 2016. (2 pages).\*

(Continued)

*Primary Examiner* — Clare E Heflin

(74) *Attorney, Agent, or Firm* — Richard M. Goldberg

(57) **CLAIM**

The ornamental design for a chandelier, as shown.

**DESCRIPTION**

FIG. 1 is a perspective view of the chandelier according to a first embodiment of the present invention;

FIG. 2 is a rear elevational view thereof;

FIG. 3 is a left side elevational view thereof;

FIG. 4 is a front elevational view thereof;

FIG. 5 is a right side elevational view thereof;

FIG. 6 is a top plan view thereof;

FIG. 7 is a bottom plan view thereof;

FIG. 8 is a perspective view of the chandelier according to a second embodiment of the present invention;

FIG. 9 is a rear elevational view of the chandelier of FIG. 8;

FIG. 10 is a left side elevational view of the chandelier of FIG. 8;

FIG. 11 is a front elevational view of the chandelier of FIG. 8;

FIG. 12 is a right side elevational view of the chandelier of FIG. 8;

FIG. 13 is a top plan view of the chandelier of FIG. 8;

FIG. 14 is a bottom plan view of the chandelier of FIG. 8;

FIG. 15 is a perspective view of the chandelier according to a third embodiment of the present invention;

FIG. 16 is a rear elevational view of the chandelier of FIG. 15;

FIG. 17 is a left side elevational view of the chandelier of FIG. 15;

FIG. 18 is a bottom plan view of the chandelier of FIG. 15;

FIG. 19 is a front elevational view of the chandelier of FIG. 15;

FIG. 20 is a right side elevational view of the chandelier of FIG. 15;

FIG. 21 is a top plan view of the chandelier of FIG. 15;

FIG. 22 is a perspective view of the chandelier according to a fourth embodiment of the present invention;

FIG. 23 is a rear elevational view of the chandelier of FIG. 22;

FIG. 24 is a left side elevational view of the chandelier of FIG. 22;

FIG. 25 is a top plan view of the chandelier of FIG. 22;

(Continued)

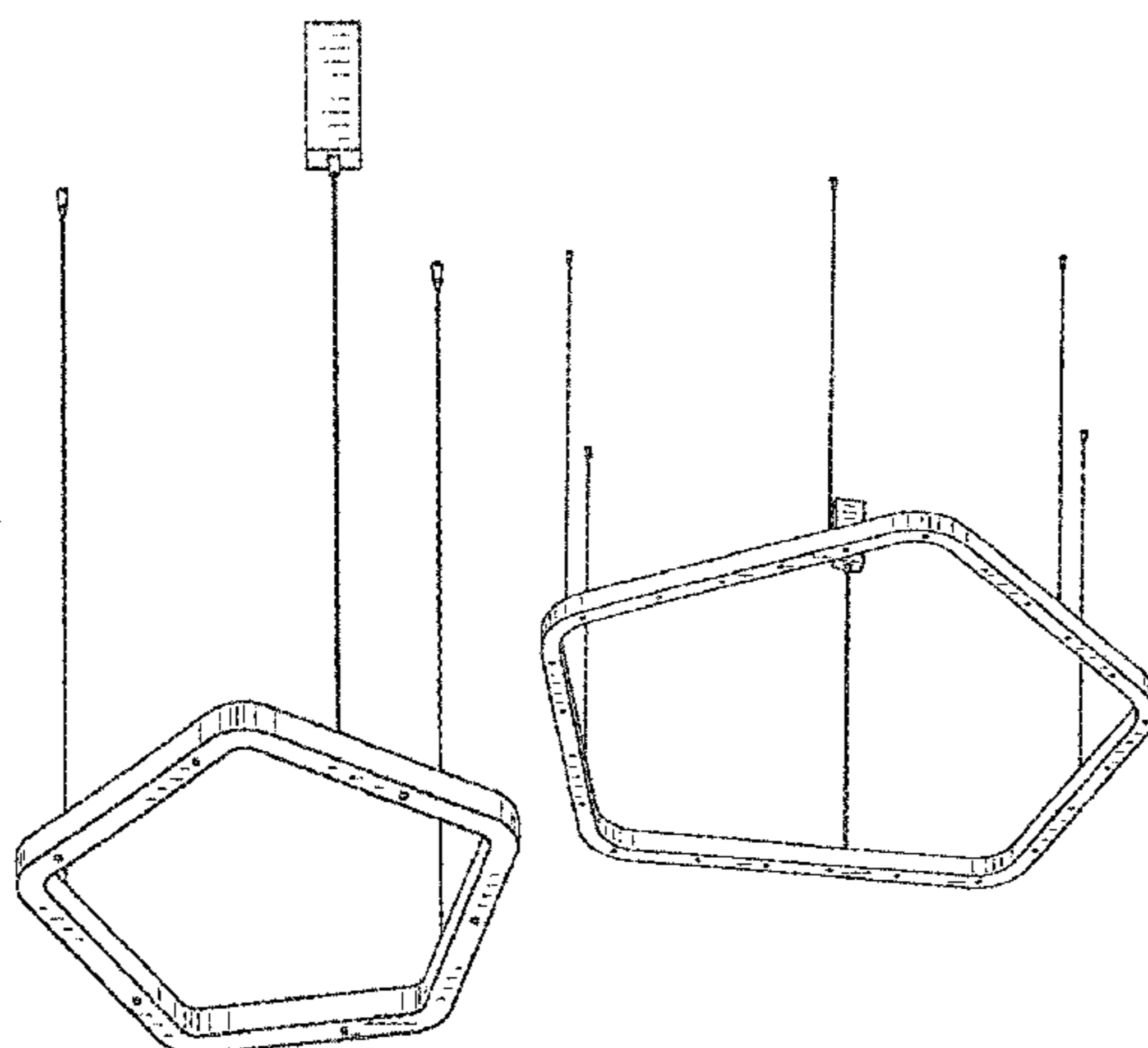


FIG. 26 is a front elevational view of the chandelier of FIG. 22;  
 FIG. 27 is a right side elevational view of the chandelier of FIG. 22;  
 FIG. 28 is a bottom plan view of the chandelier of FIG. 22;  
 FIG. 29 is a perspective view of the chandelier according to a fifth embodiment of the present invention;  
 FIG. 30 is a rear elevational view of the chandelier of FIG. 29;  
 FIG. 31 is a left side elevational view of the chandelier of FIG. 29;  
 FIG. 32 is a top plan view of the chandelier of FIG. 29;  
 FIG. 33 is a front elevational view of the chandelier of FIG. 29;  
 FIG. 34 is a right side elevational view of the chandelier of FIG. 29;  
 FIG. 35 is a bottom plan view of the chandelier of FIG. 29;  
 FIG. 36 is a perspective view of the chandelier according to a sixth embodiment of the present invention;  
 FIG. 37 is a rear elevational view of the chandelier of FIG. 36;  
 FIG. 38 is a left side elevational view of the chandelier of FIG. 36;  
 FIG. 39 is a top plan view of the chandelier of FIG. 36;  
 FIG. 40 is a front elevational view of the chandelier of FIG. 36;  
 FIG. 41 is a right side elevational view of the chandelier of FIG. 36; and,  
 FIG. 42 is a bottom plan view of the chandelier of FIG. 36.

**1 Claim, 14 Drawing Sheets**

(30) **Foreign Application Priority Data**

Jul. 28, 2016 (EM) ..... 003322163-0003  
 Jul. 28, 2016 (EM) ..... 003322163-0004  
 Jul. 28, 2016 (EM) ..... 003322163-0005  
 Jul. 28, 2016 (EM) ..... 003322163-0006

(58) **Field of Classification Search**

CPC .... F21S 8/043; F21S 8/046; F21S 8/06; F21S 8/061; F21S 8/063; F21S 8/065; F21S 8/066; F21S 8/068; F21V 21/008; F21V 21/02; F21V 21/03; F21V 21/112; F21V 21/38

See application file for complete search history.

(56) **References Cited**

U.S. PATENT DOCUMENTS

3,937,948	A *	2/1976	Allison	.....	F21S 8/06 362/300
D252,832	S *	9/1979	Bowser	.....	D26/85
D481,484	S *	10/2003	Cuevas	.....	D26/84
D536,468	S *	2/2007	Crosby	.....	D26/84
D603,083	S *	10/2009	Trumble	.....	D26/90
D653,794	S *	2/2012	Friedman	.....	D26/130
D701,991	S *	4/2014	Blum	.....	D26/90
D732,237	S *	6/2015	Huang	.....	D26/120
D740,480	S *	10/2015	Thompson	.....	D26/90
D761,478	S *	7/2016	Ng	.....	D26/80
D761,990	S *	7/2016	Ng	.....	D26/80
D761,992	S *	7/2016	Ng	.....	D26/88
2008/0253116	A1 *	10/2008	Liao	.....	F21S 8/06 362/235
2010/0220497	A1 *	9/2010	Ngai	.....	F21S 8/06 362/610
2013/0329424	A1 *	12/2013	Clark	.....	F21S 8/061 362/235
2015/0277030	A1 *	10/2015	Huang	.....	F21S 8/061 362/611

OTHER PUBLICATIONS

Cylindro III LUX luminaire from delraylighting.com, Feb. 2016. (2 pages).\*

Cycle Layers 4844 Series from Eureka Lighting ©2015 (2 pages).\*

\* cited by examiner

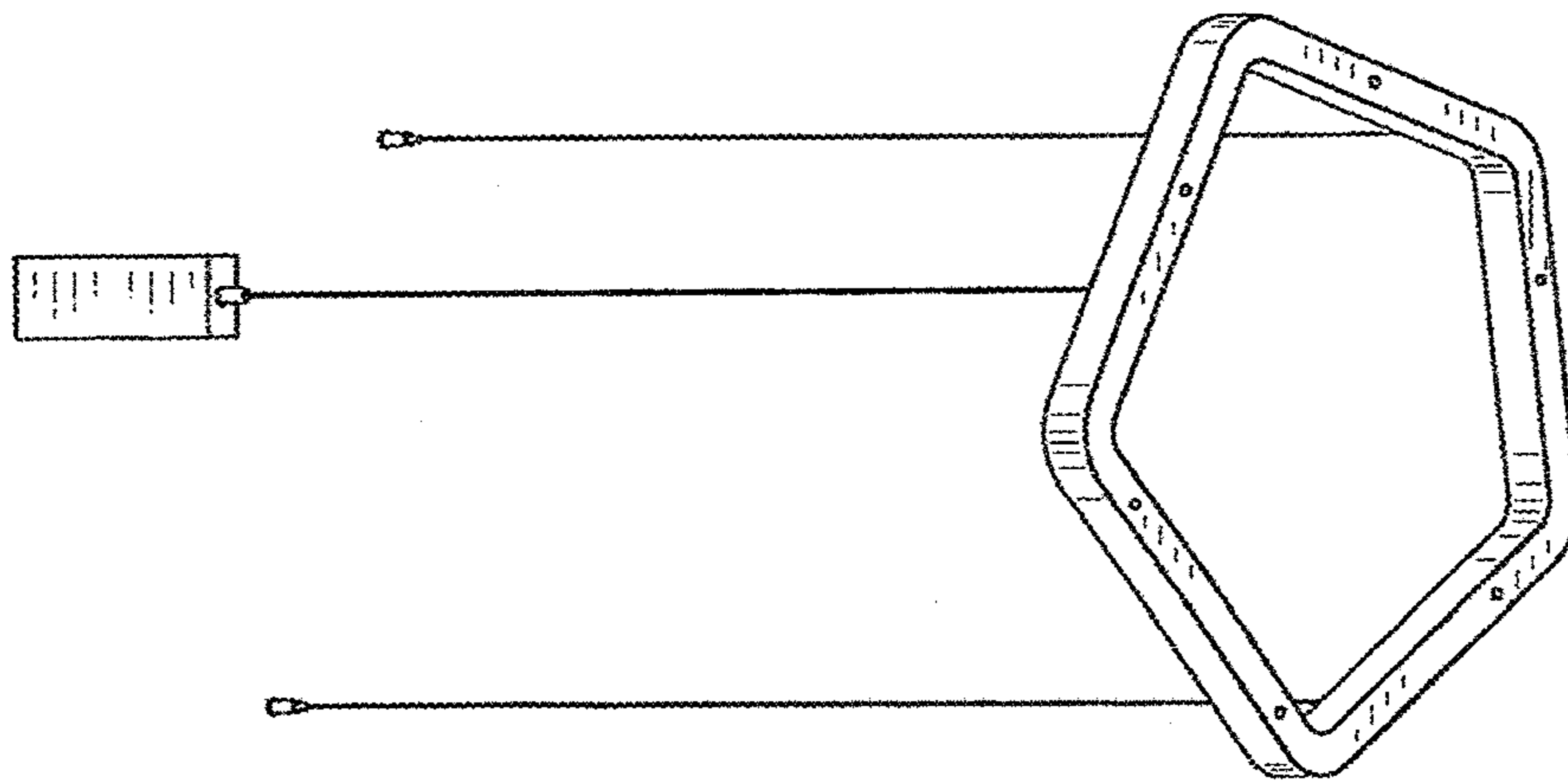


FIG. 1

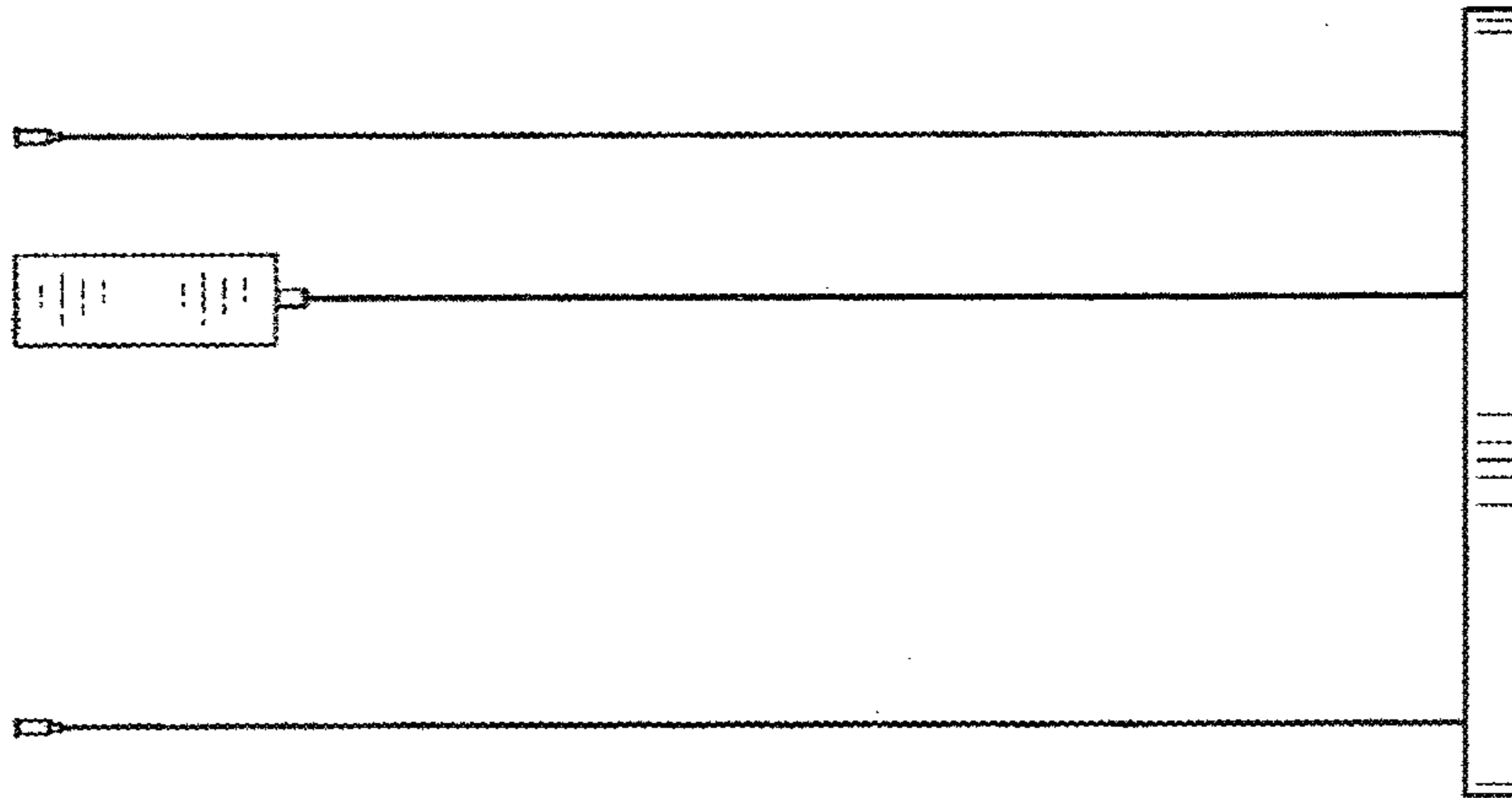


FIG. 2

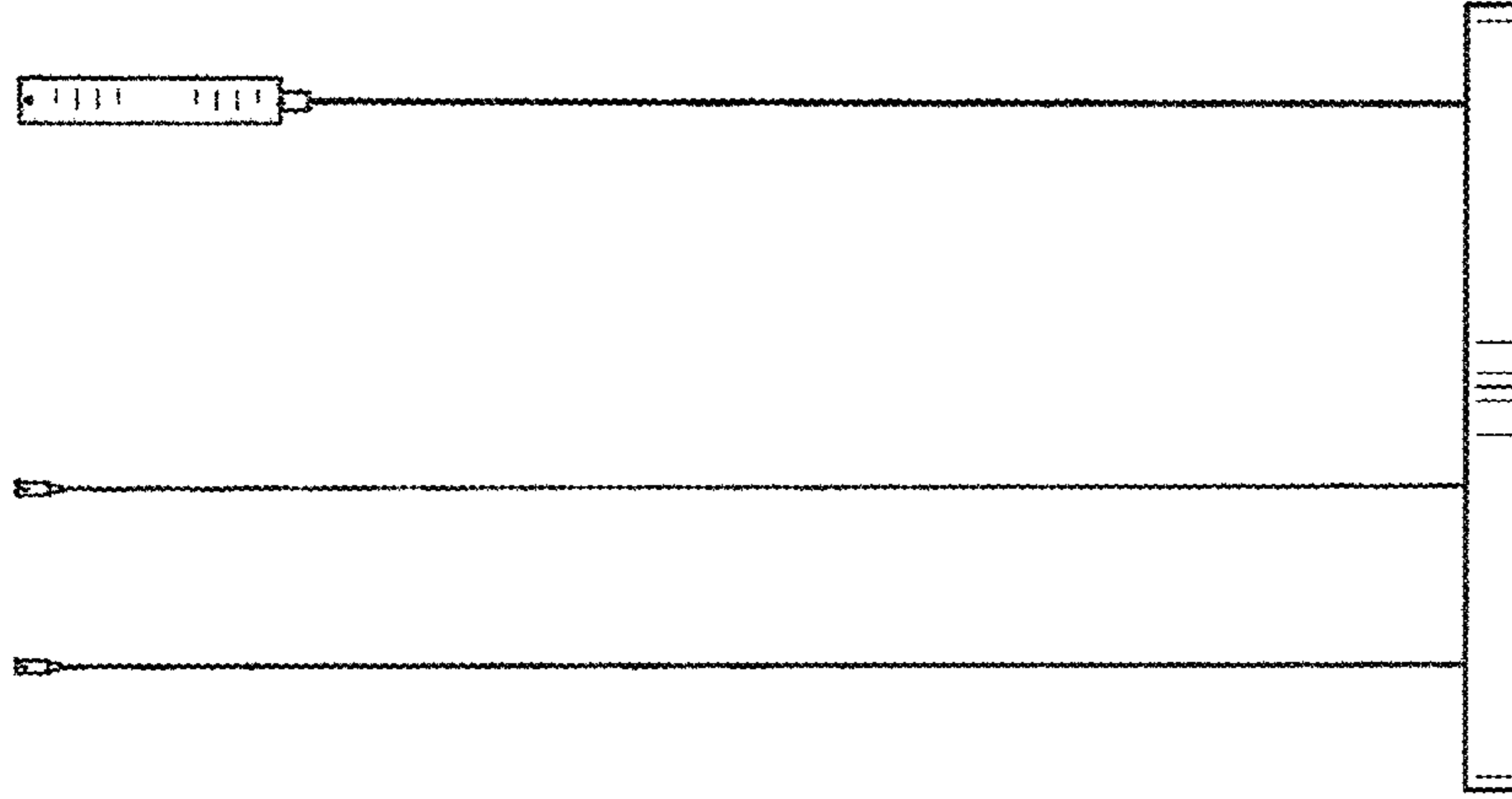


FIG. 3

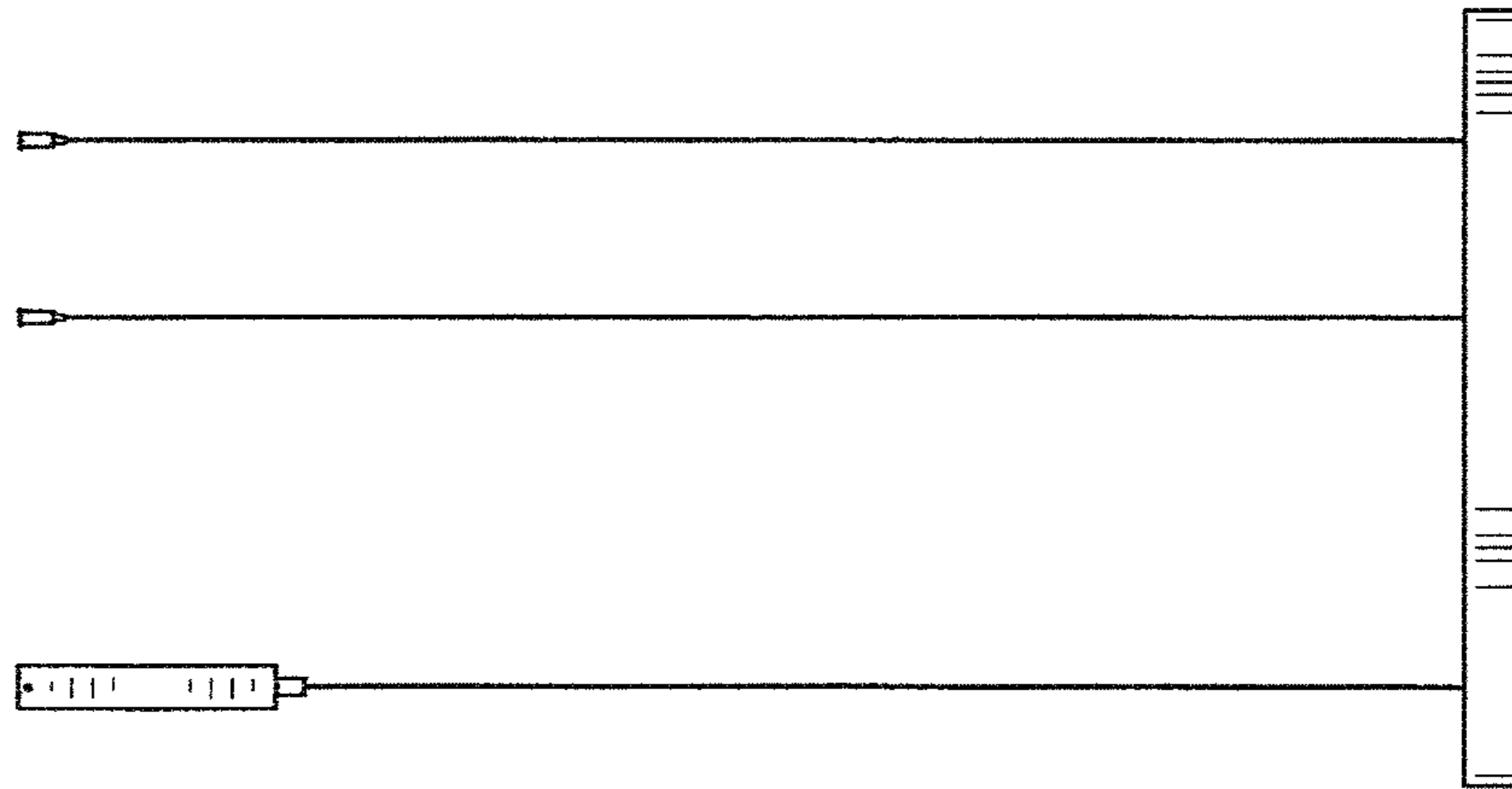


FIG. 4

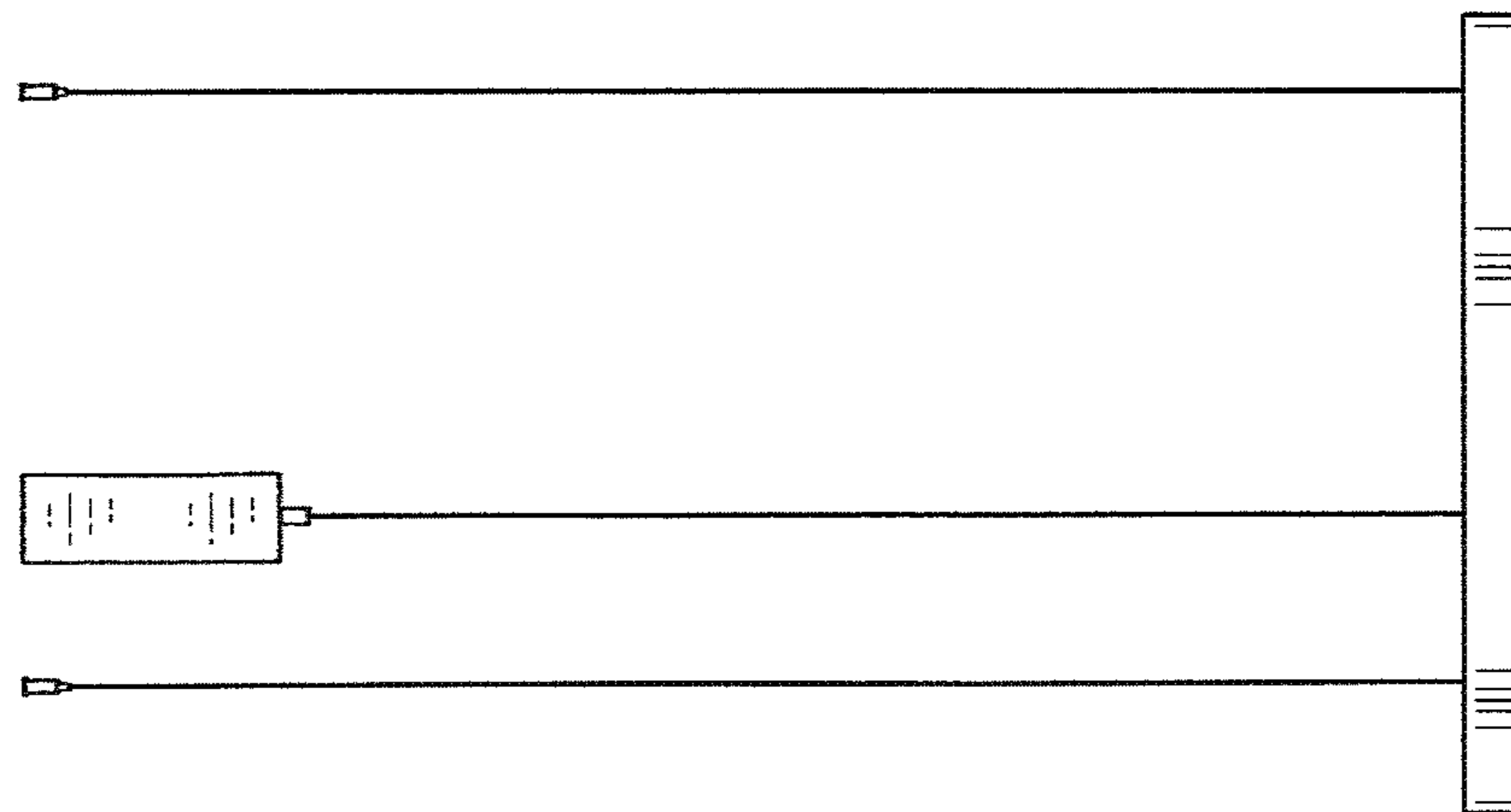


FIG. 5

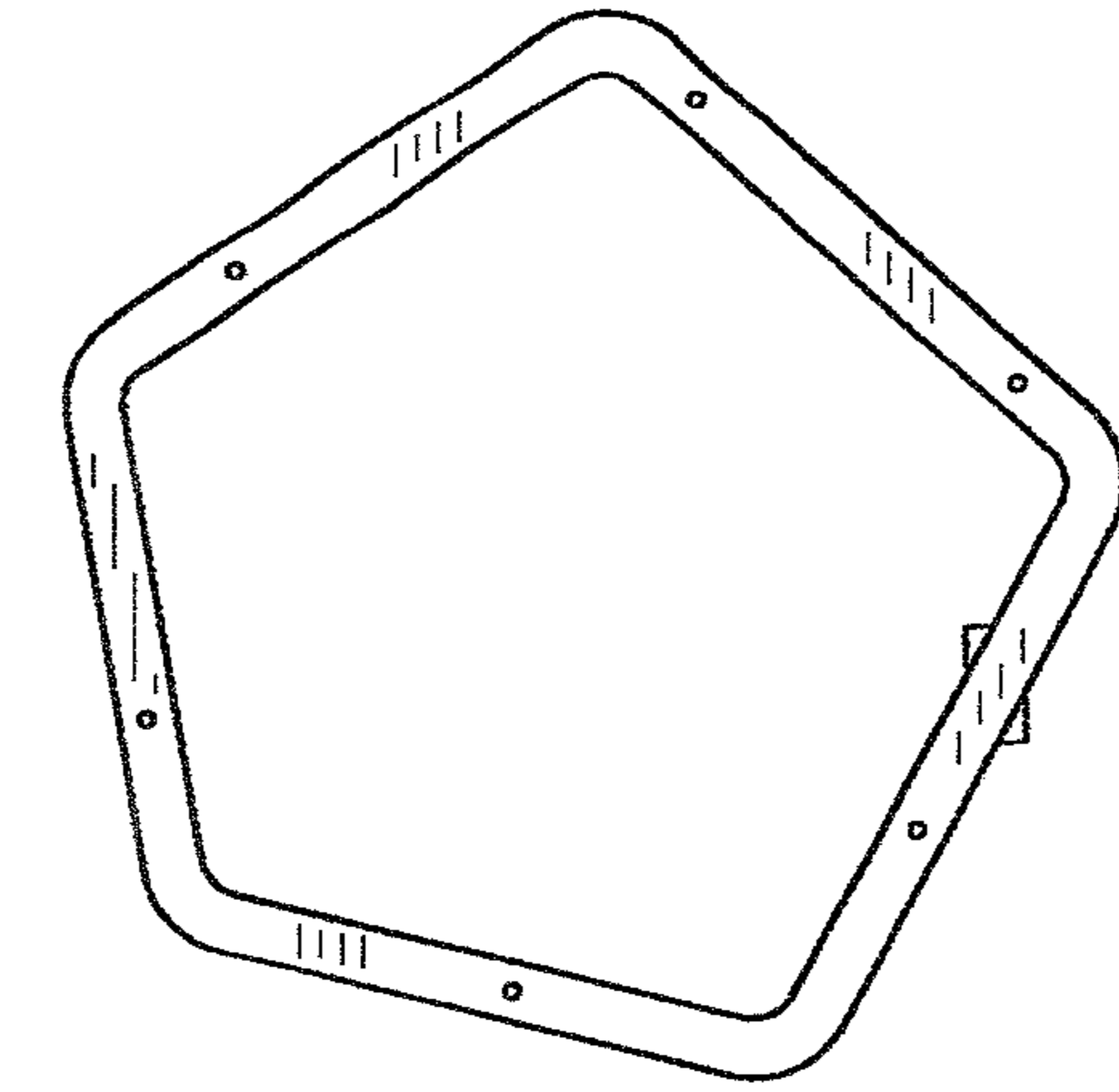


FIG. 6

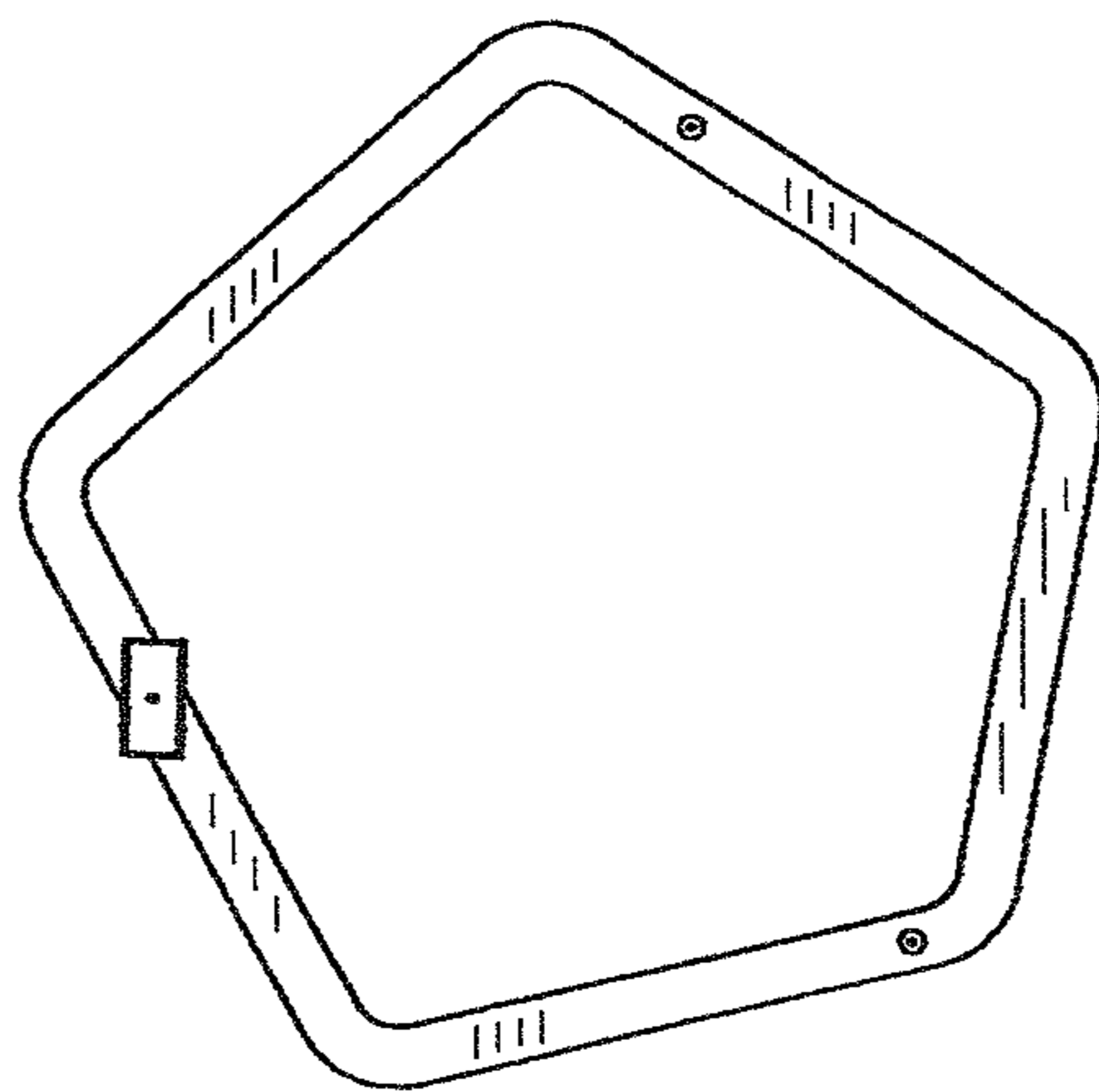


FIG. 7



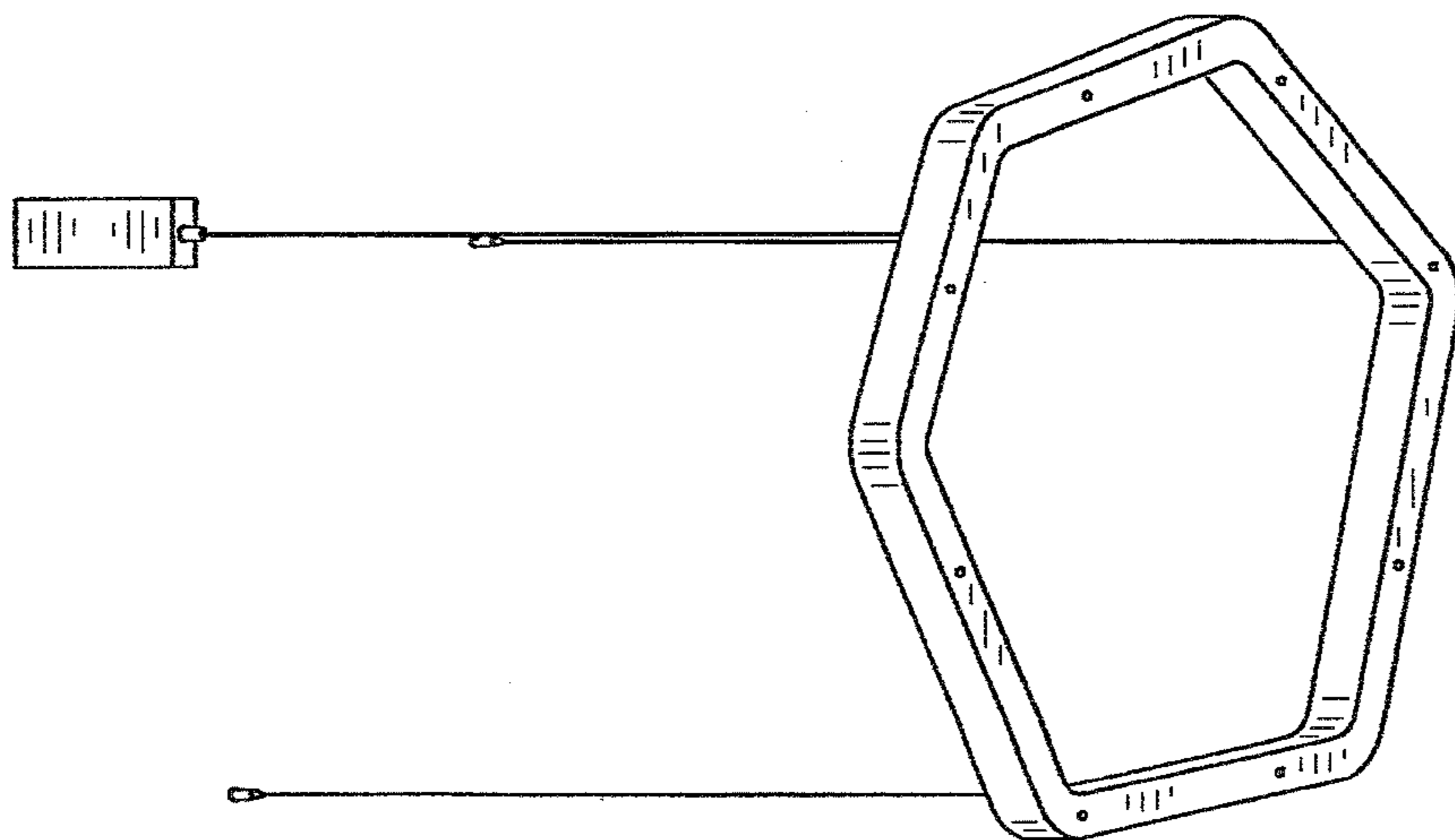


FIG. 8

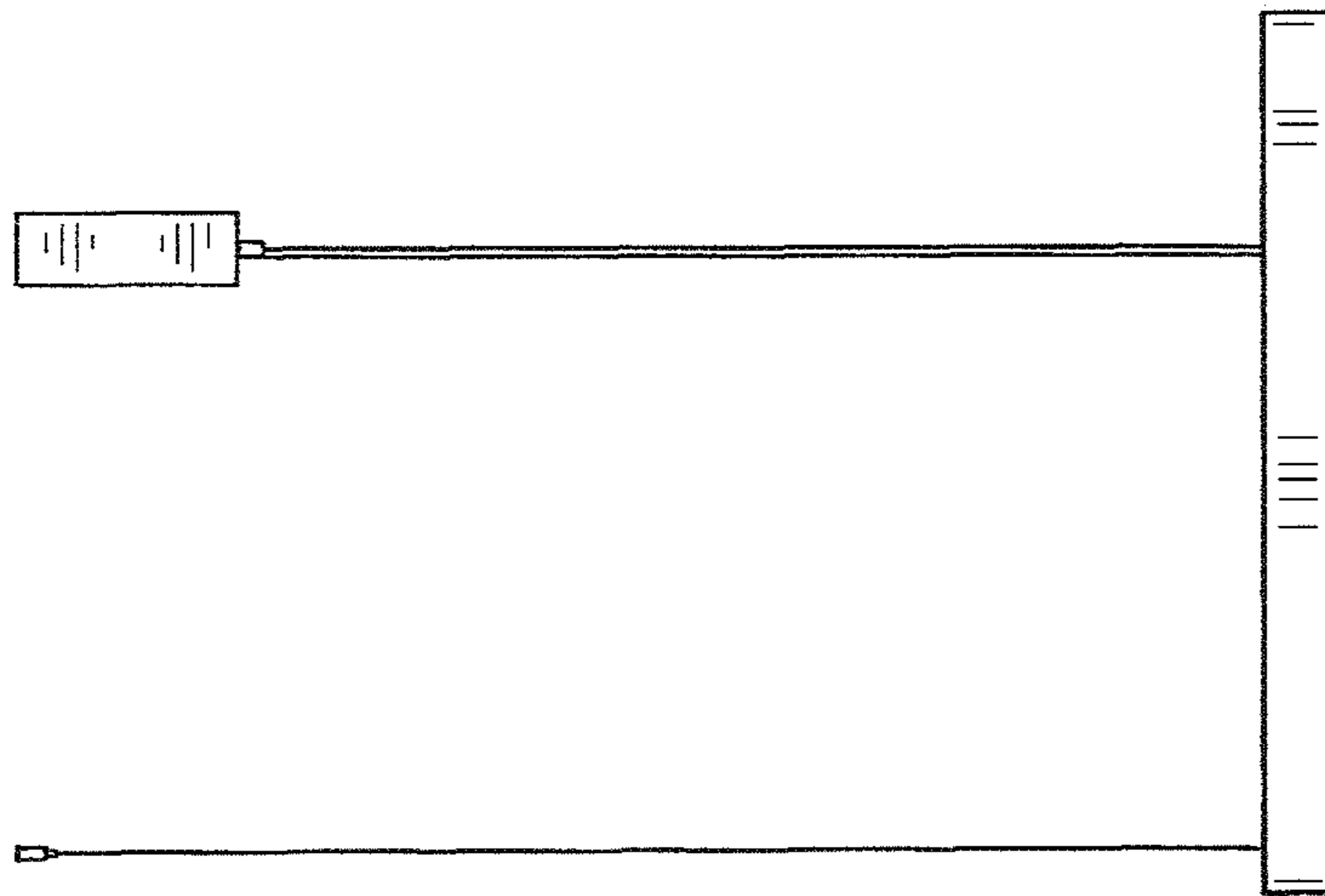


FIG. 9

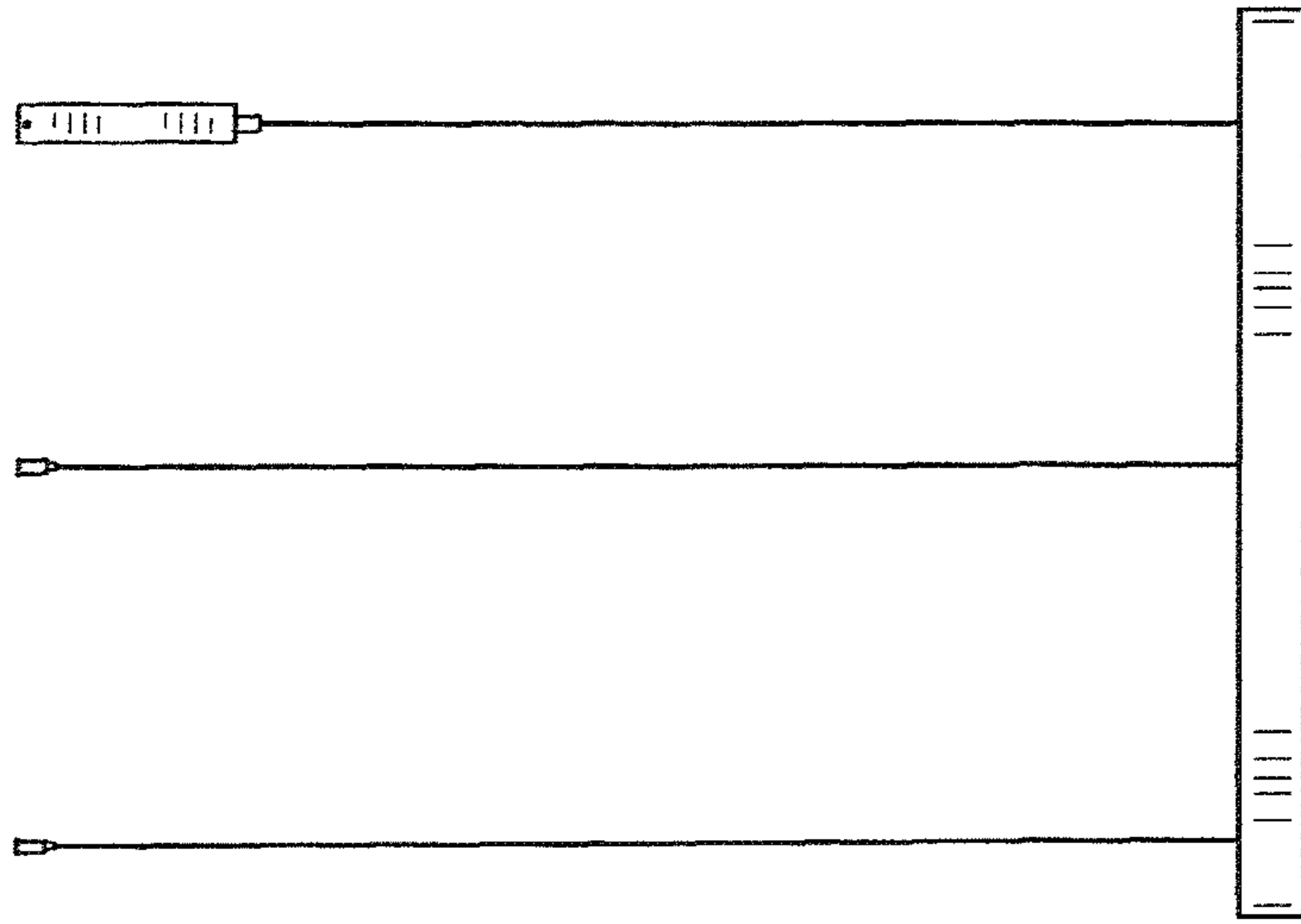


FIG. 10

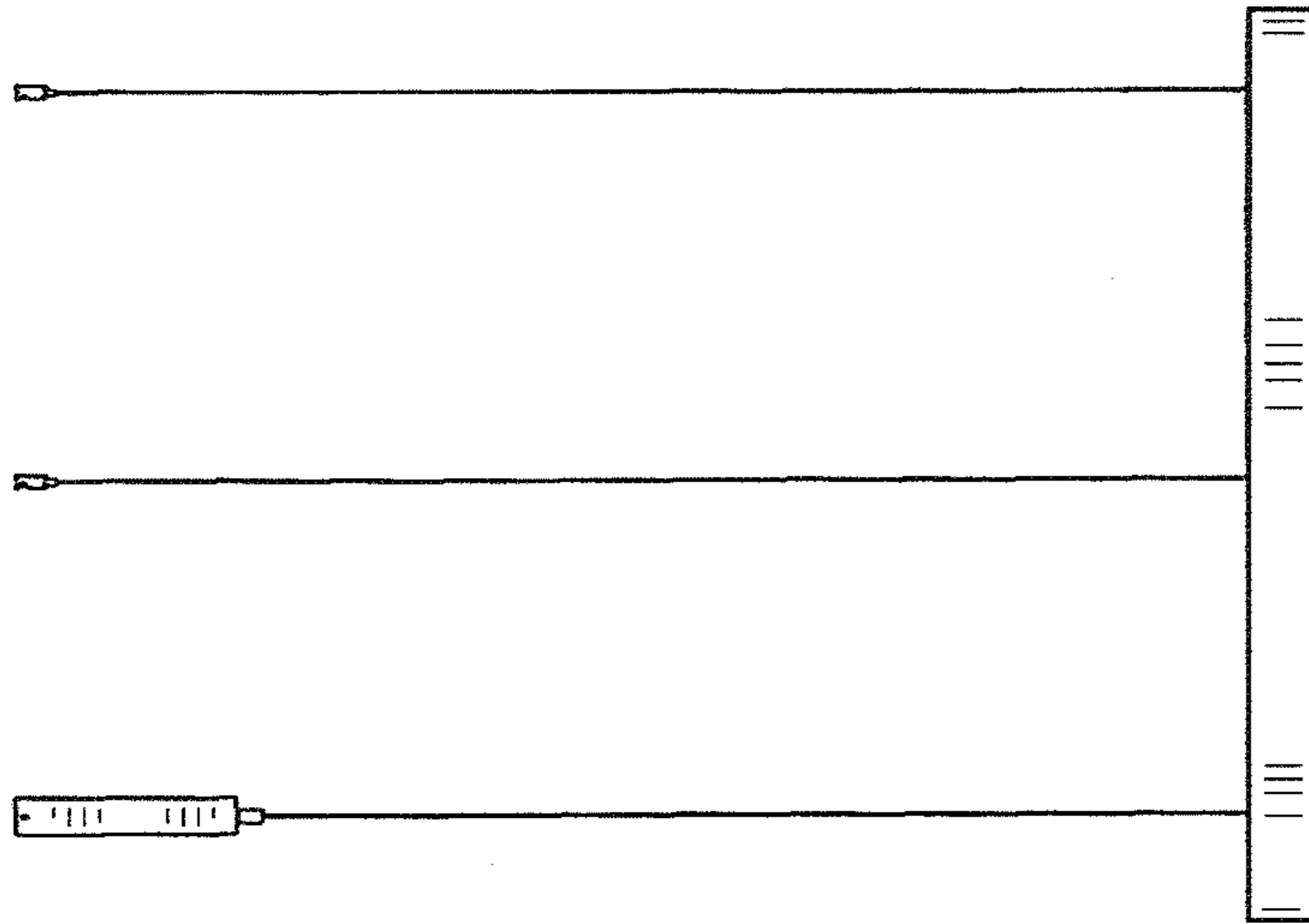


FIG. 12

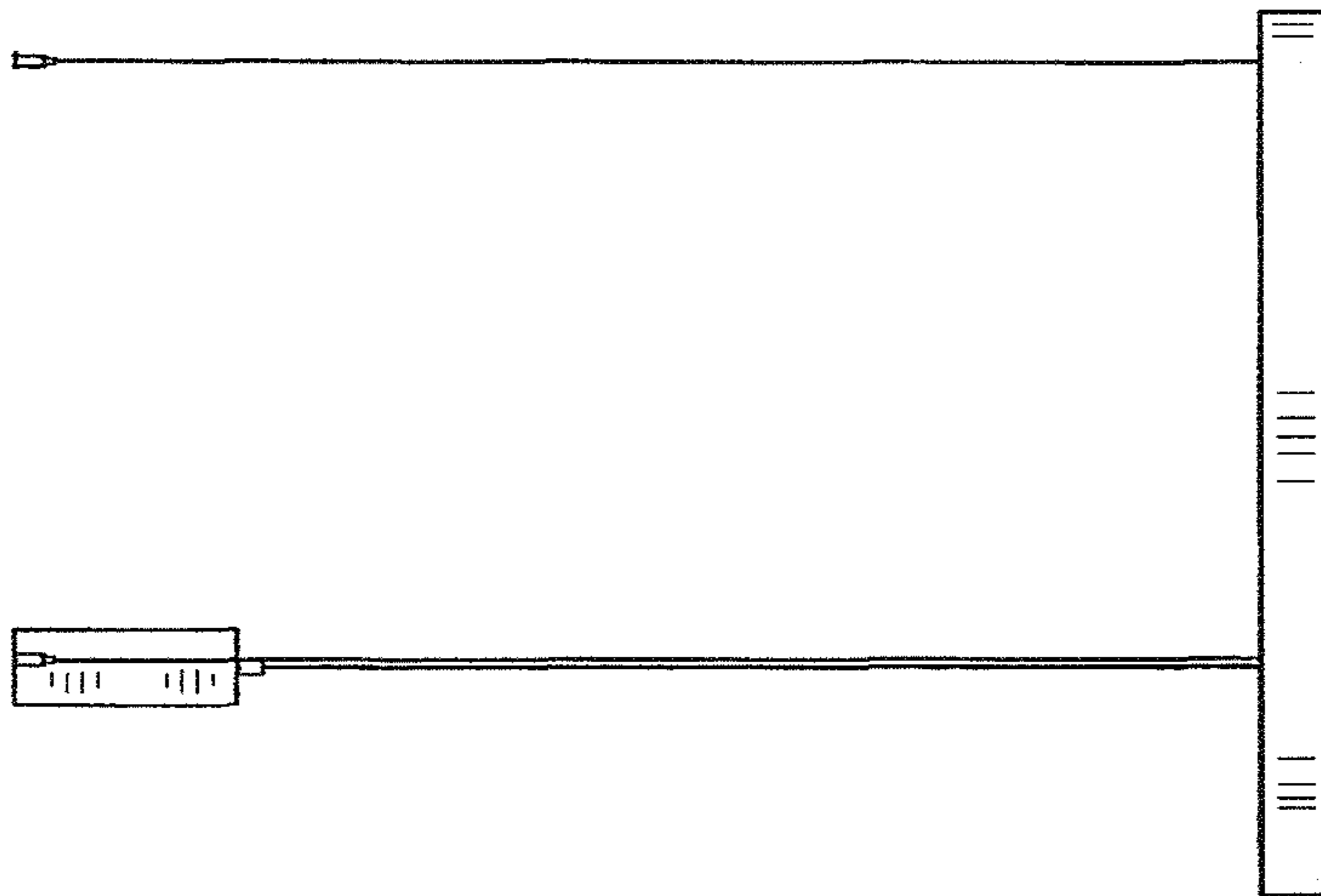


FIG. 11

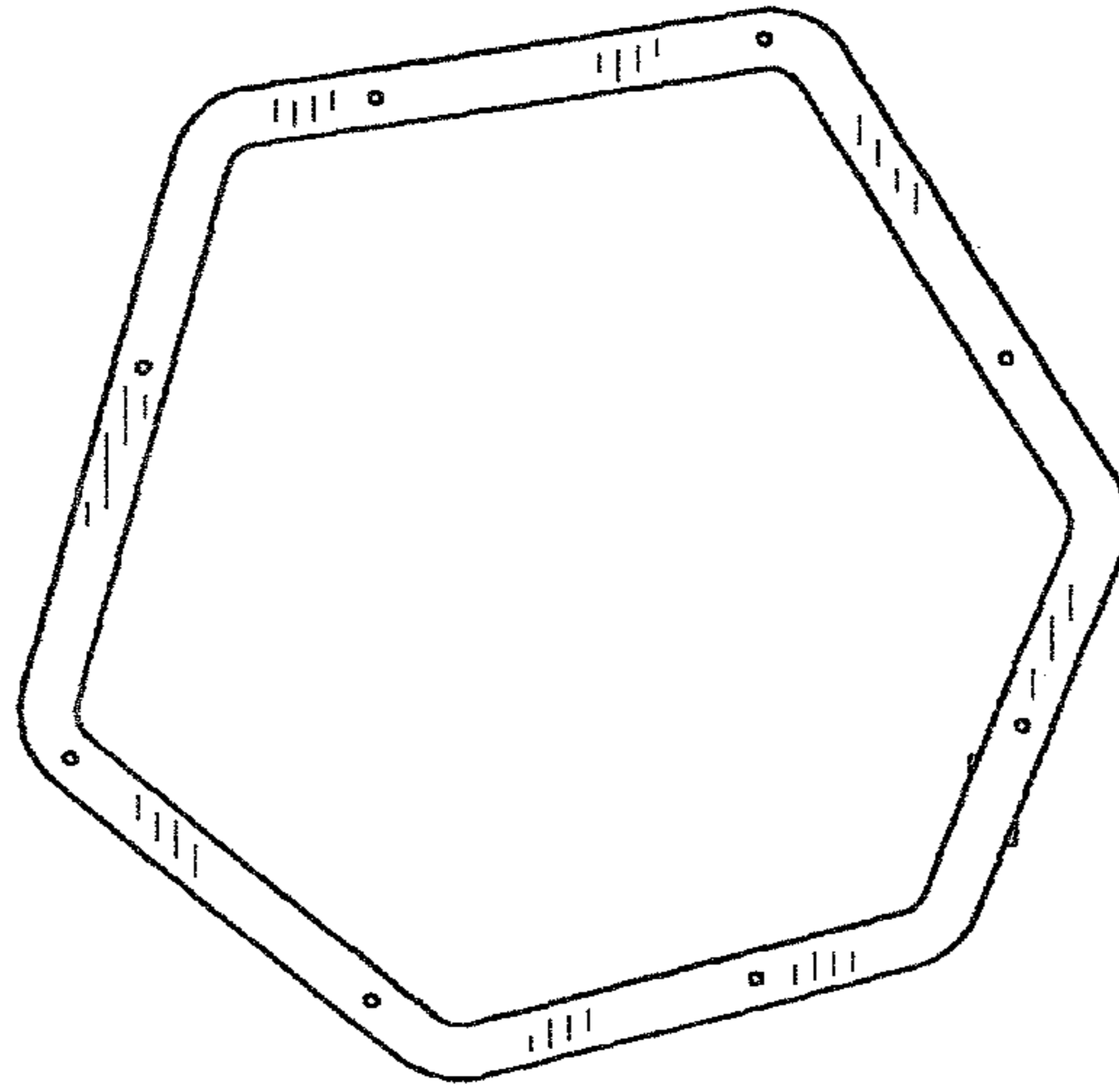


FIG. 14

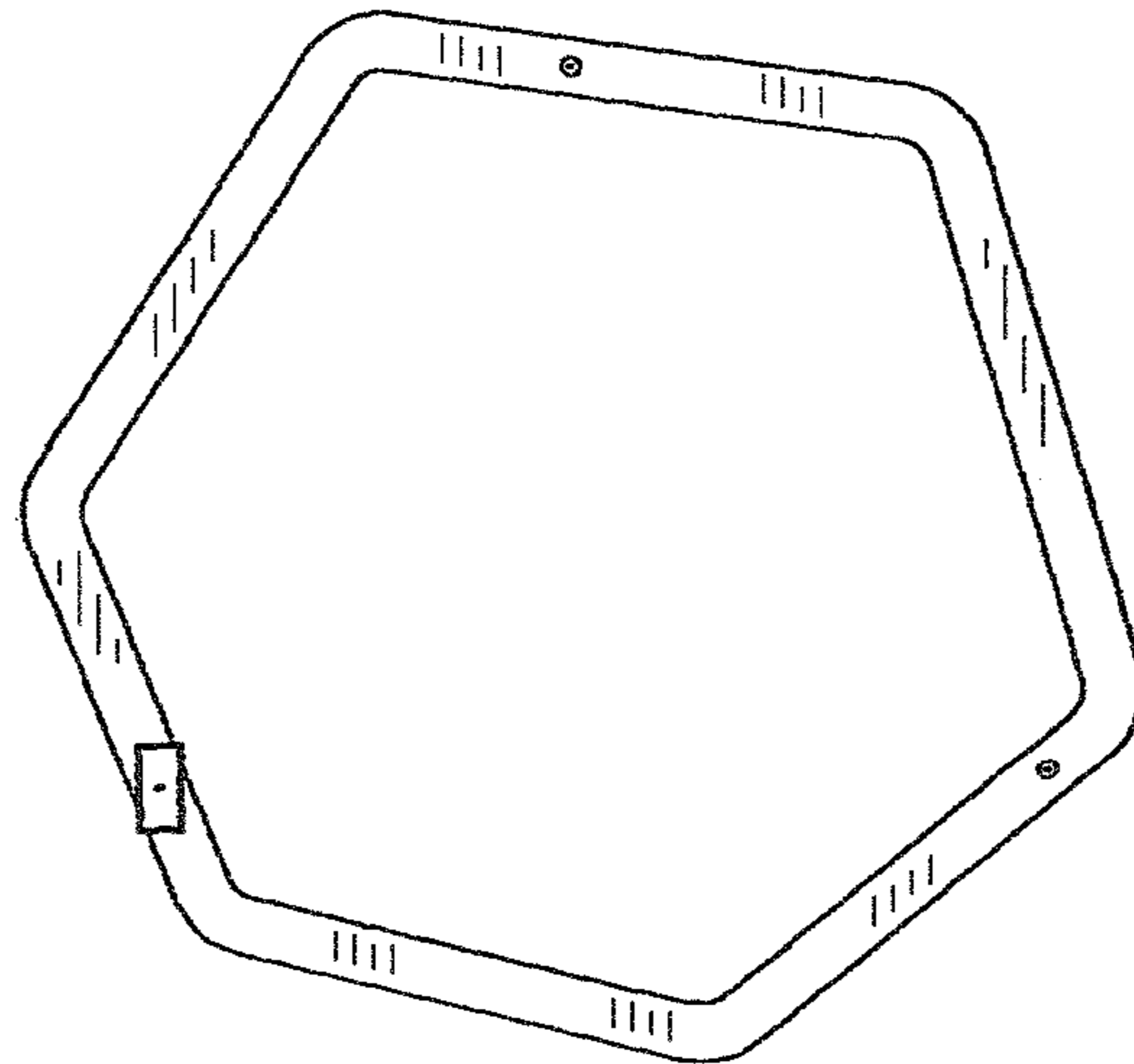


FIG. 13



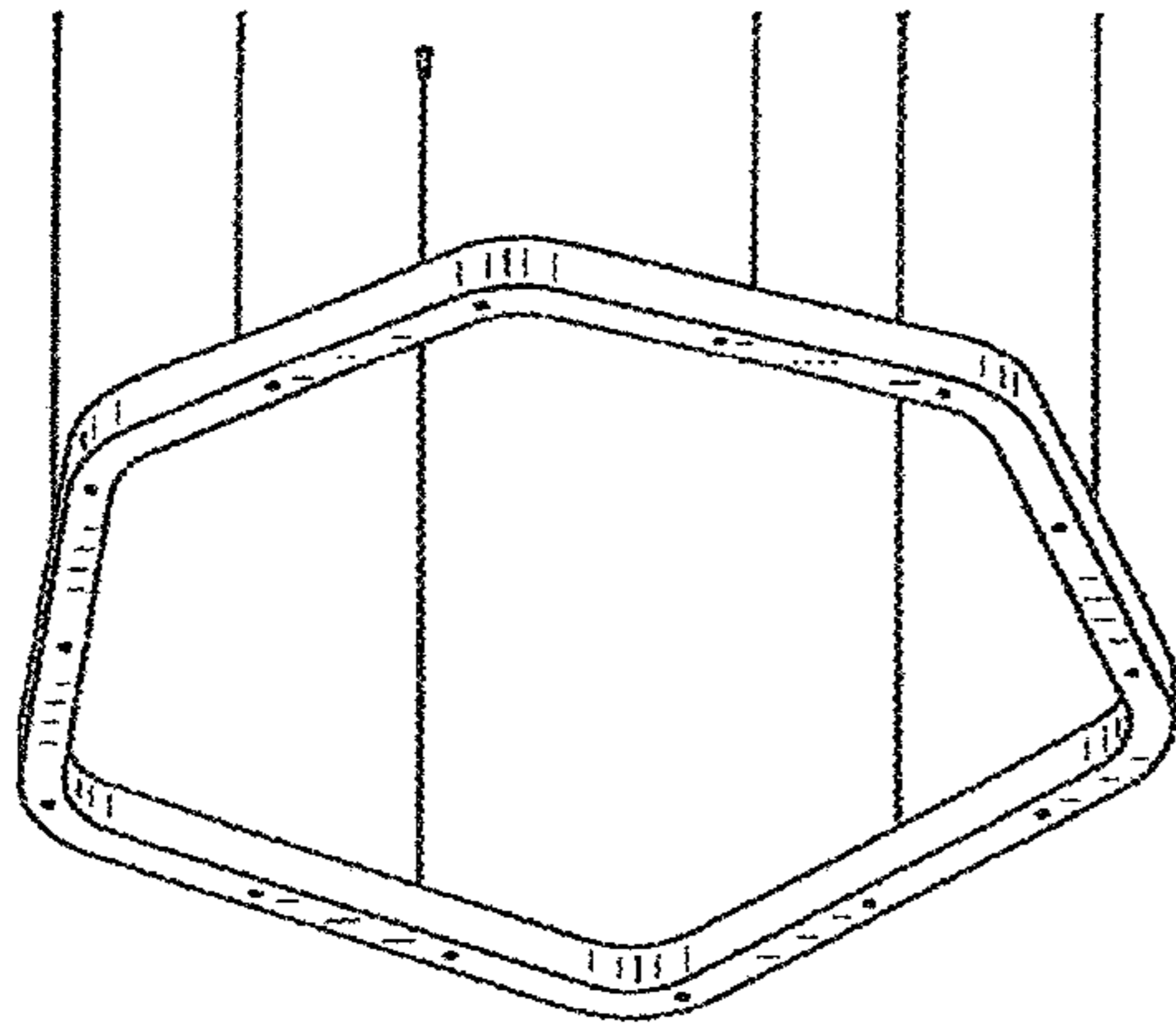


FIG. 15

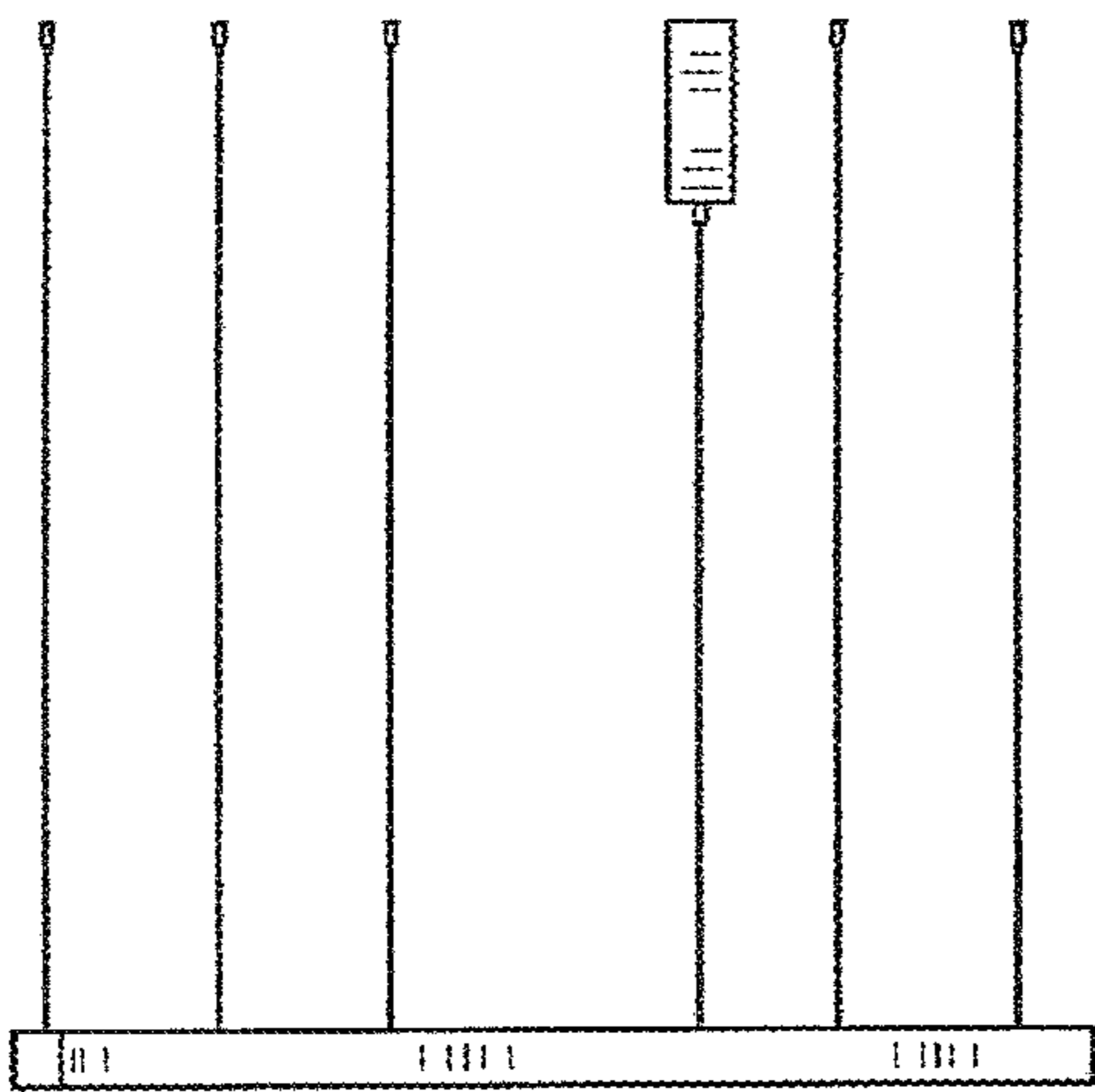


FIG. 16

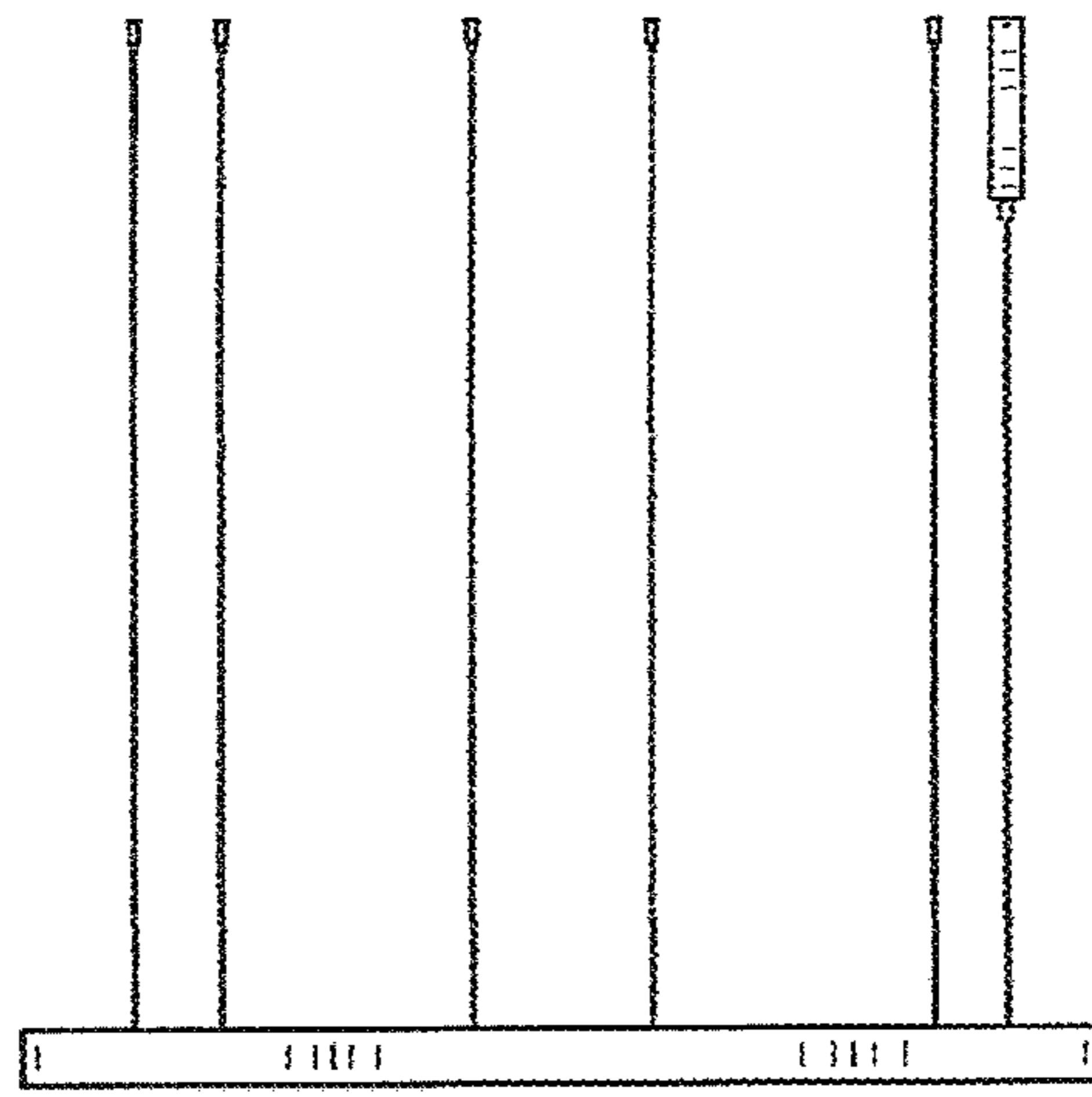


FIG. 17

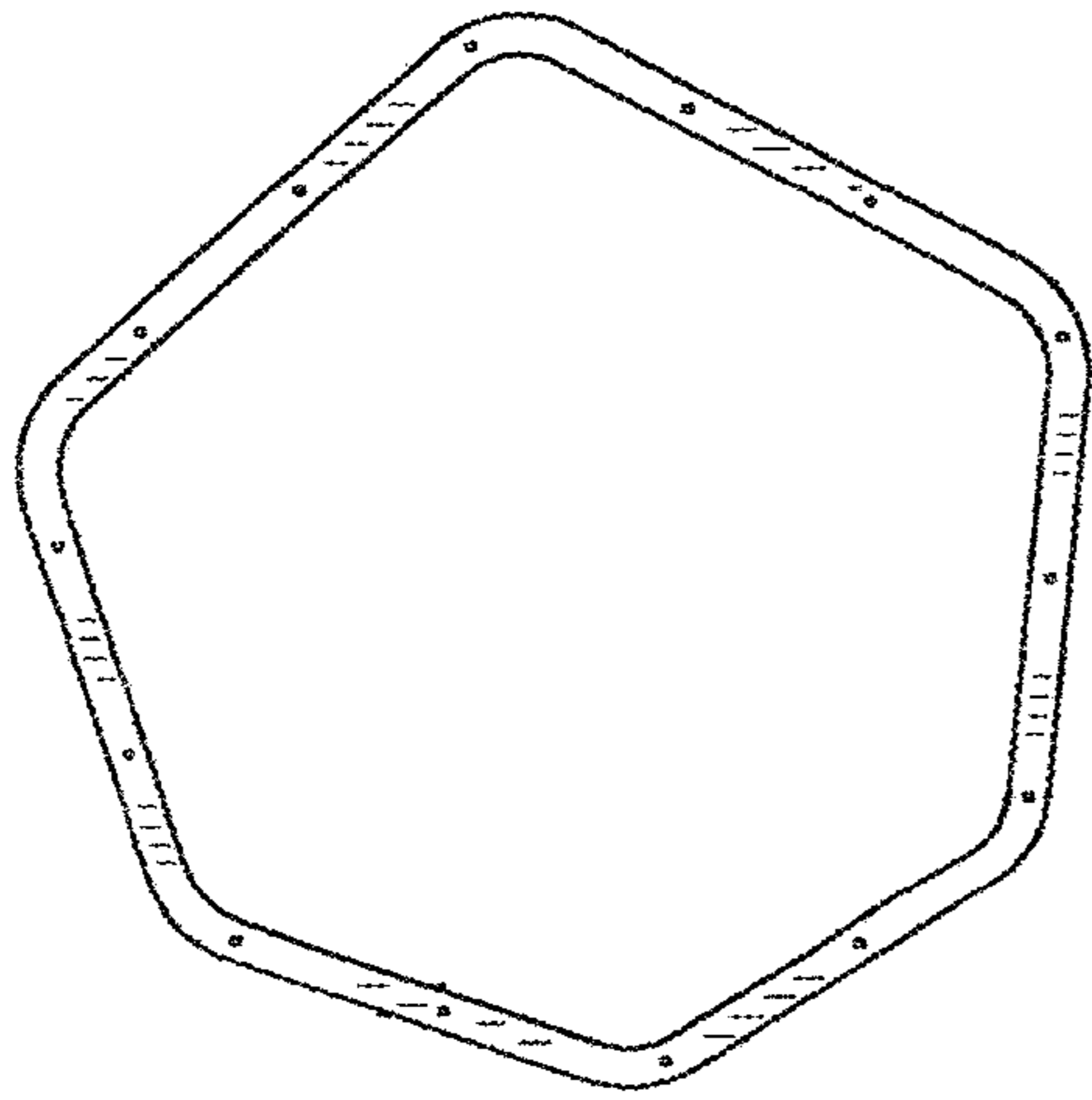


FIG. 18

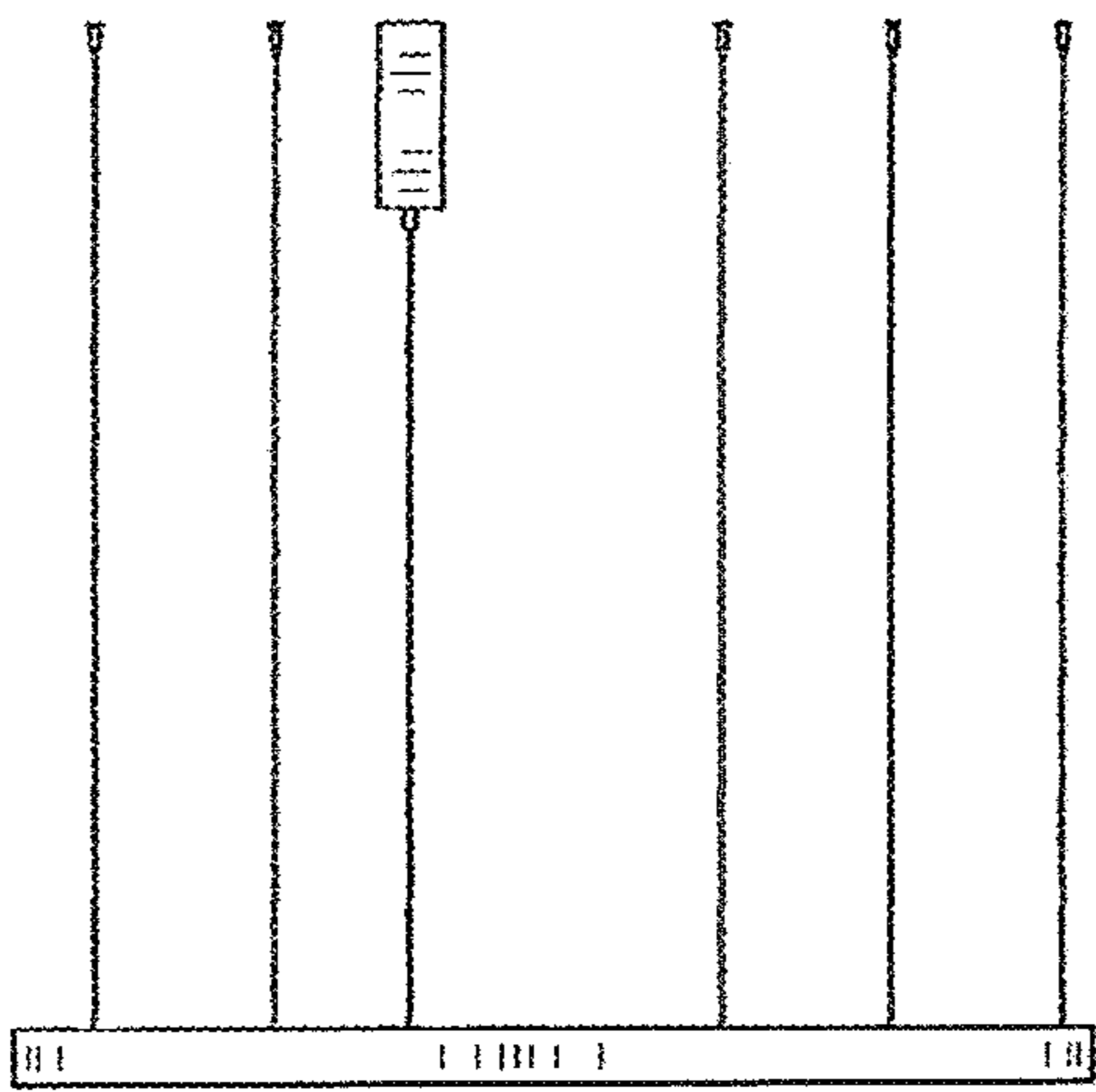


FIG. 19

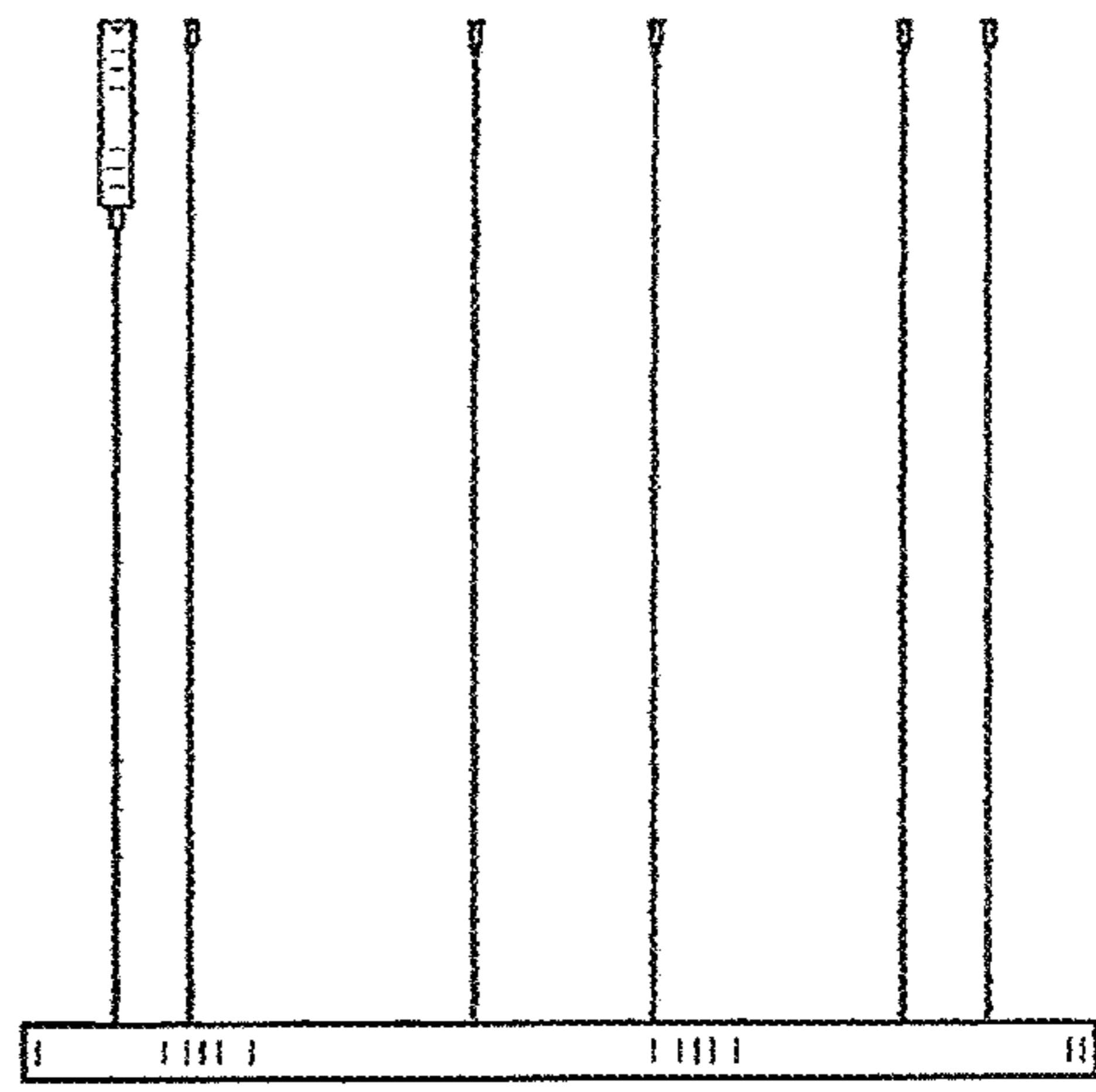


FIG. 20

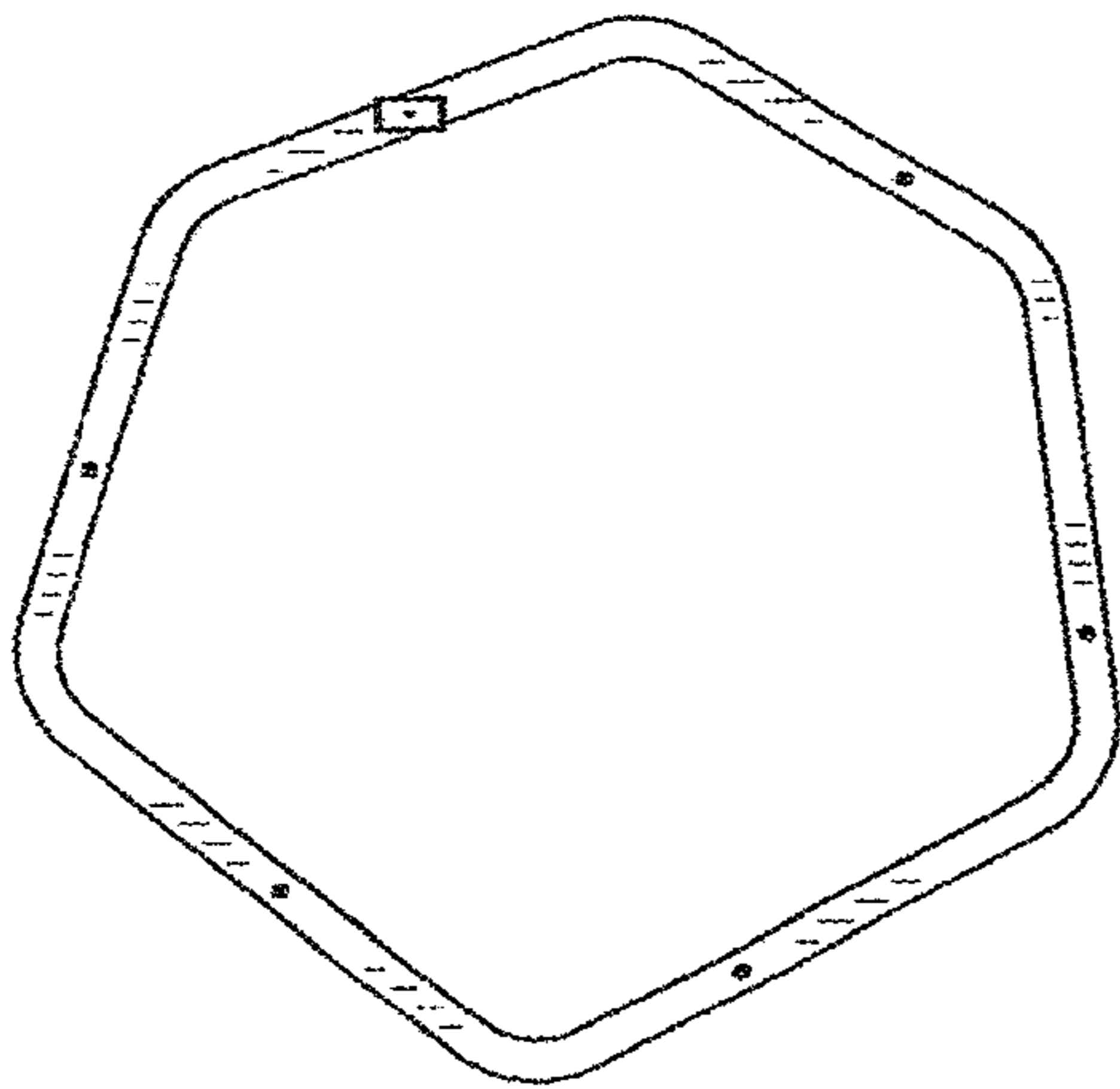


FIG. 21

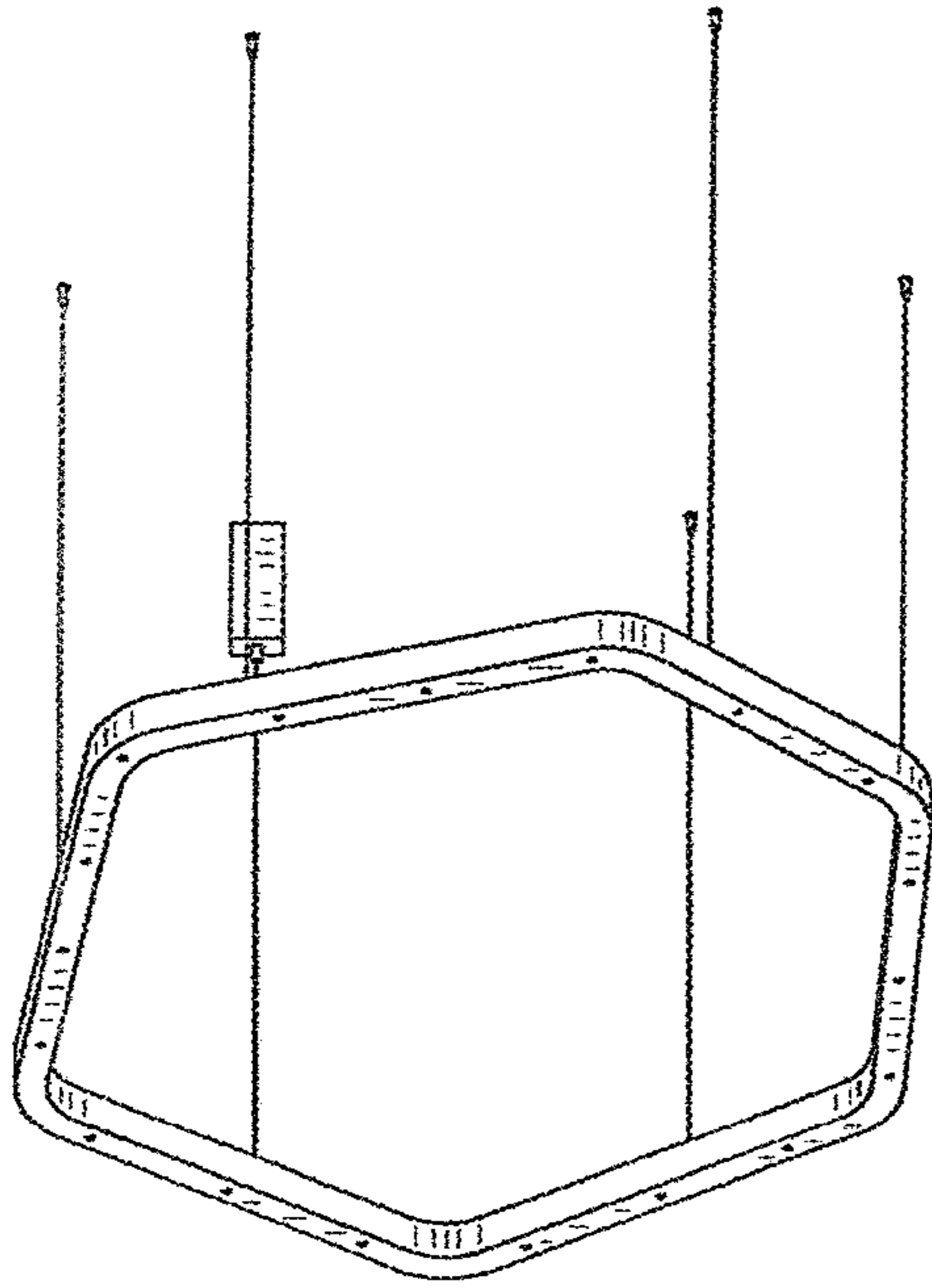


FIG. 22

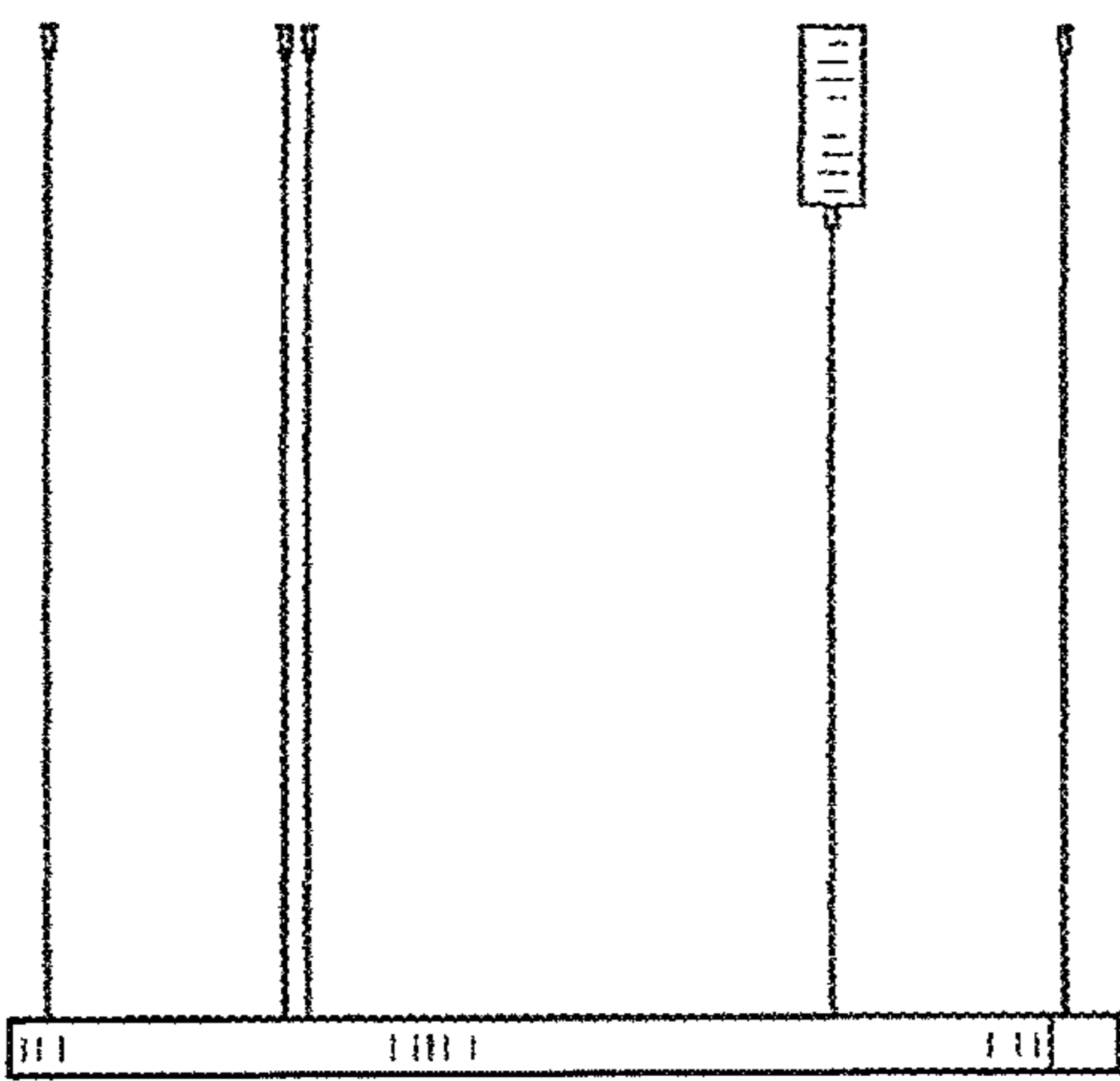


FIG. 23

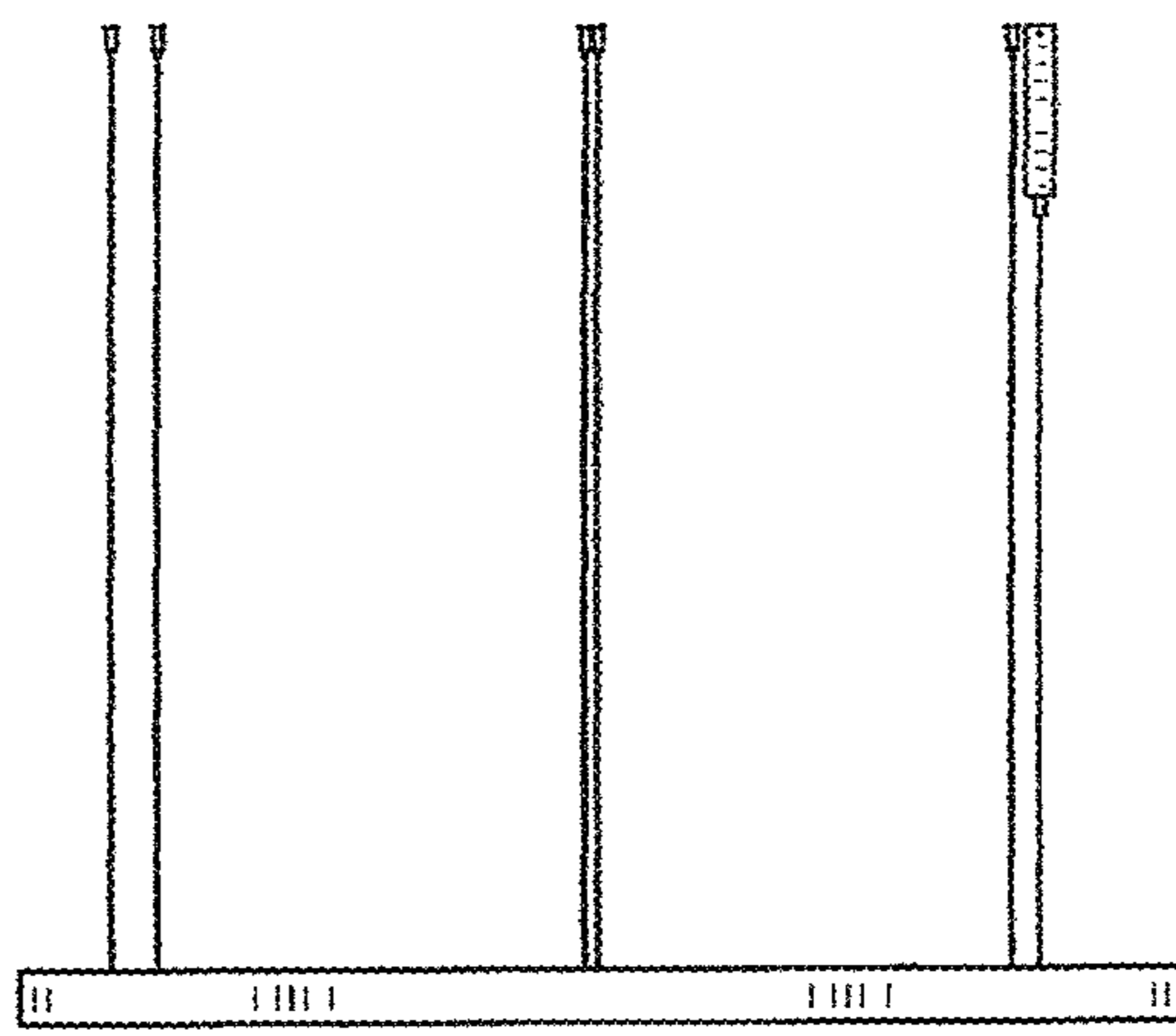


FIG. 24

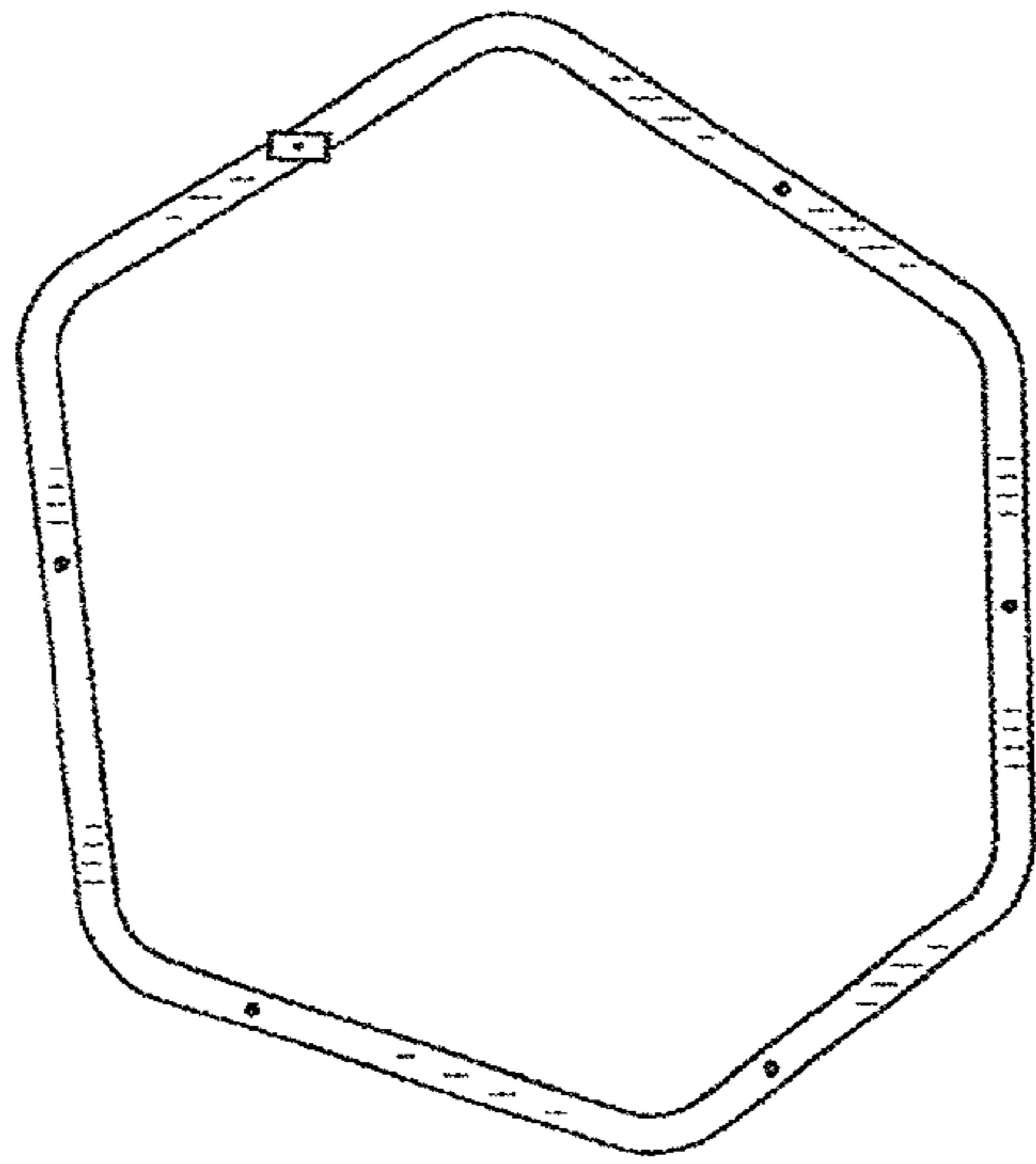


FIG. 25

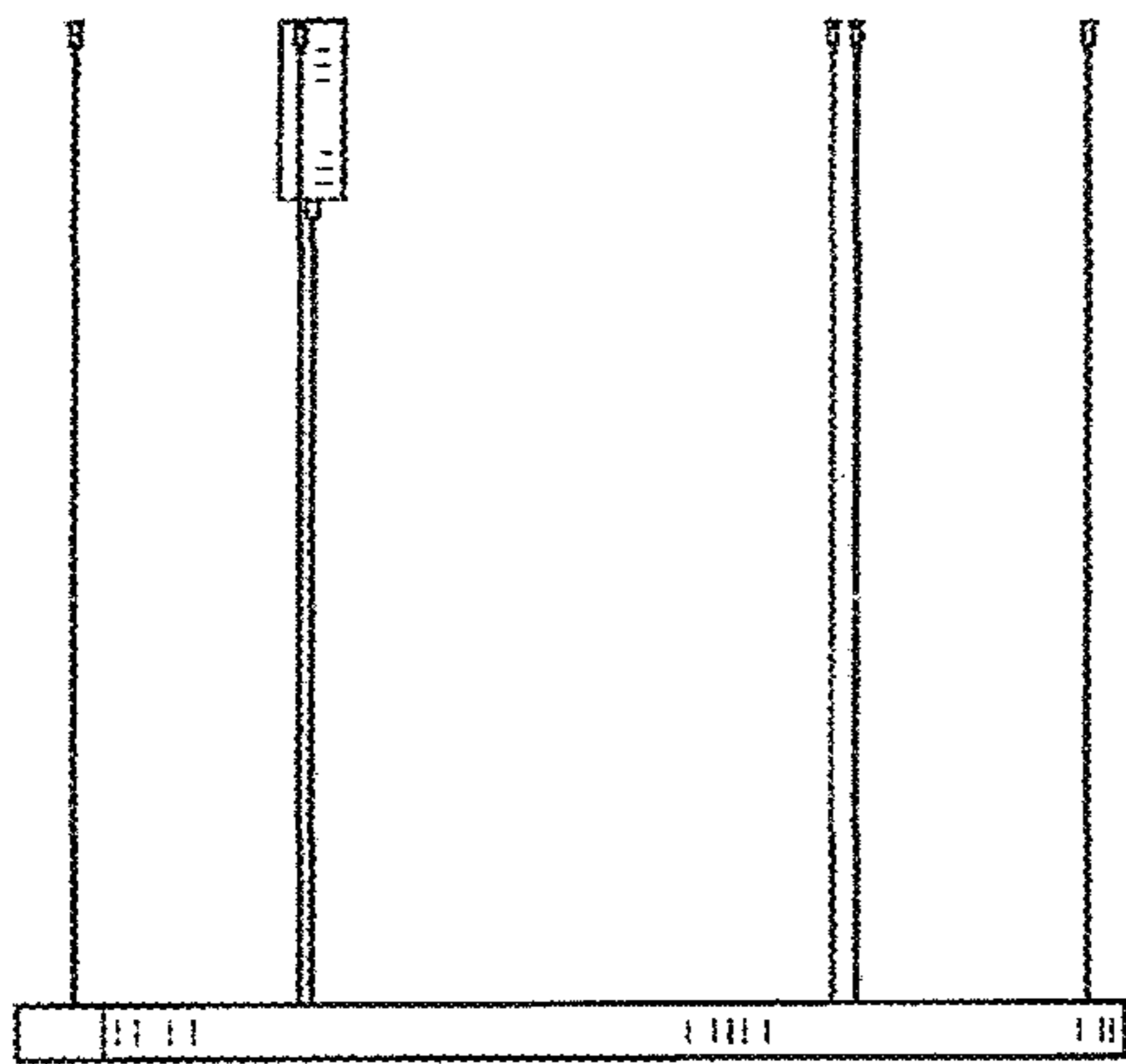


FIG. 26

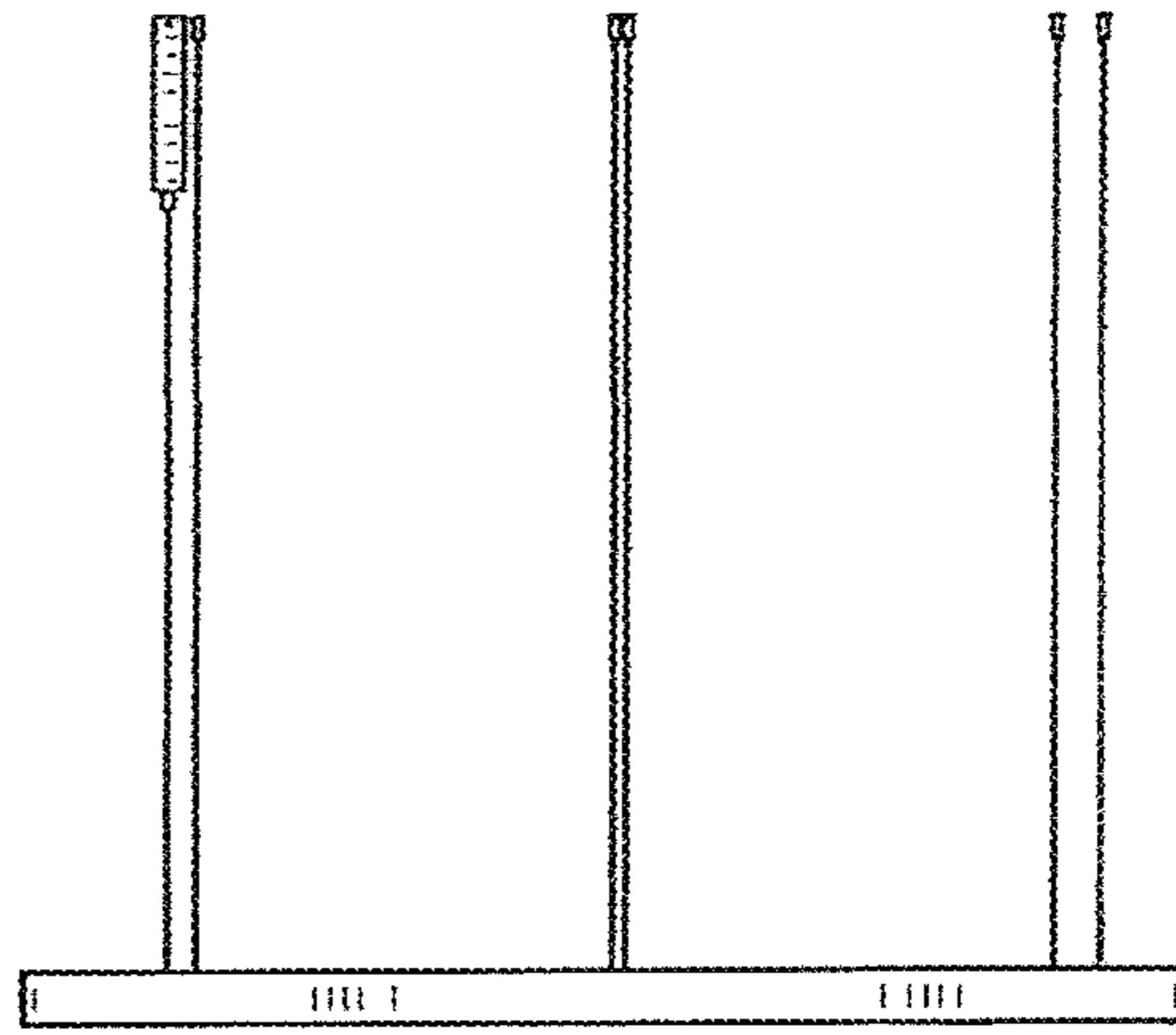


FIG. 27

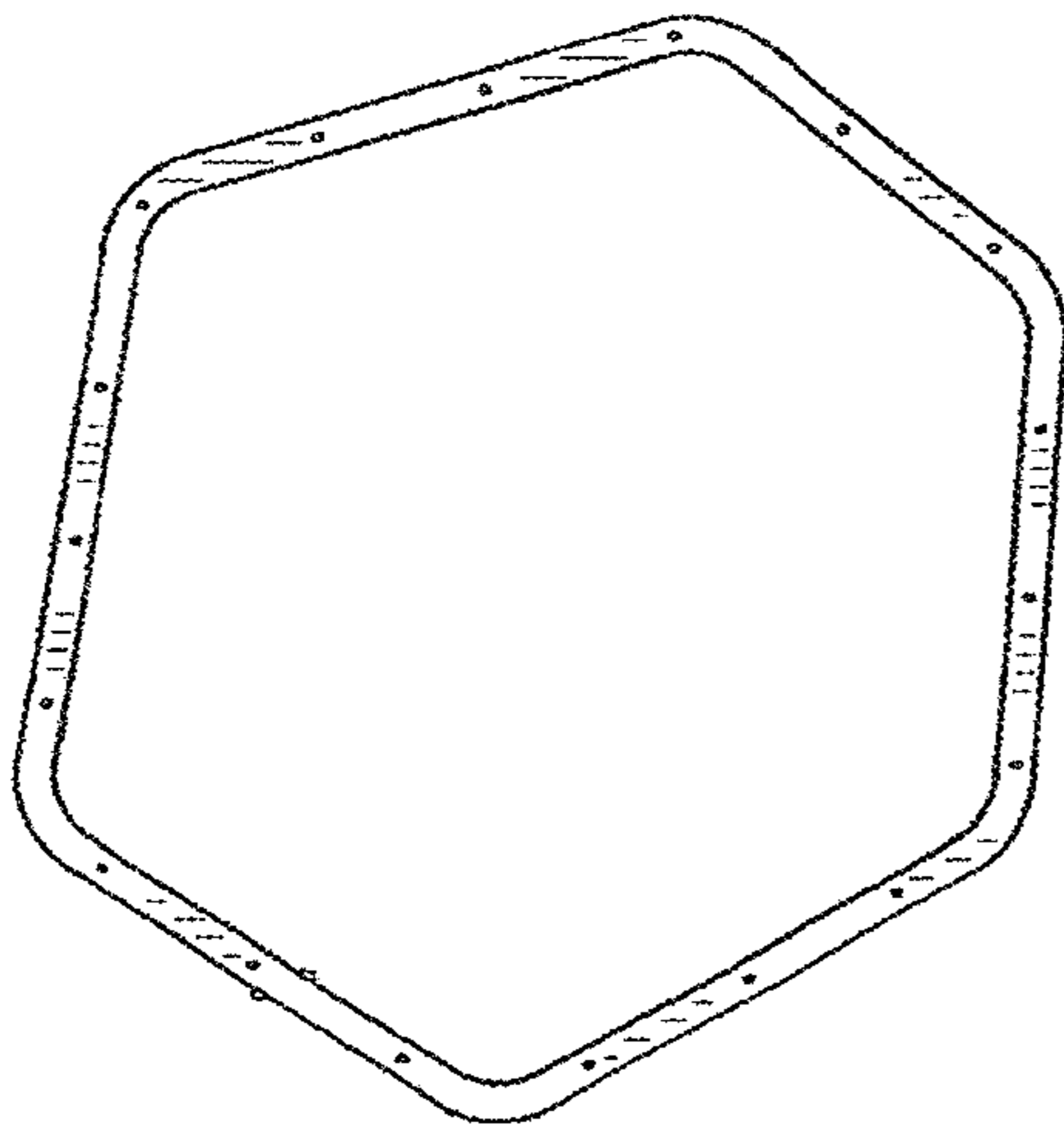


FIG. 28

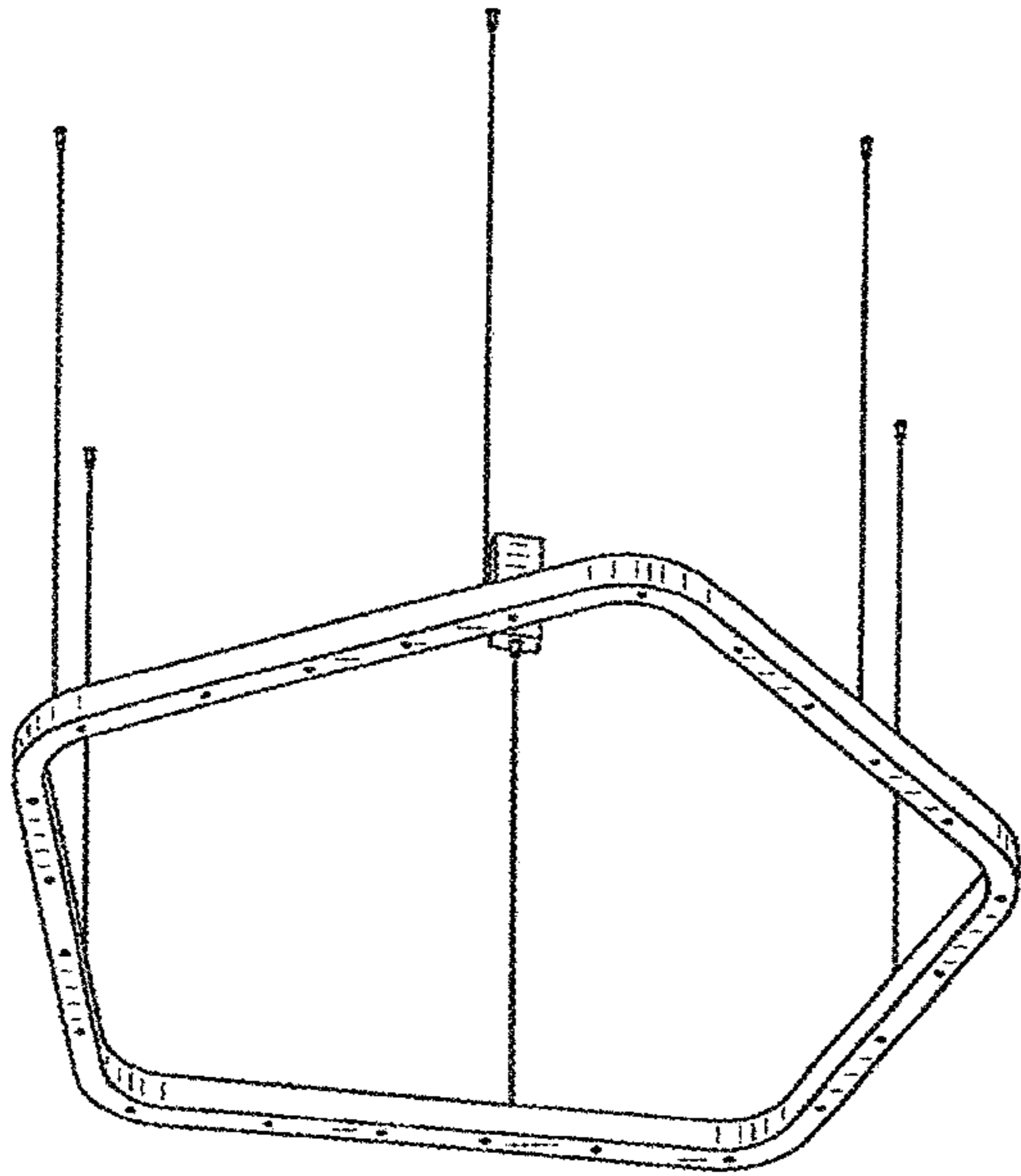


FIG. 29

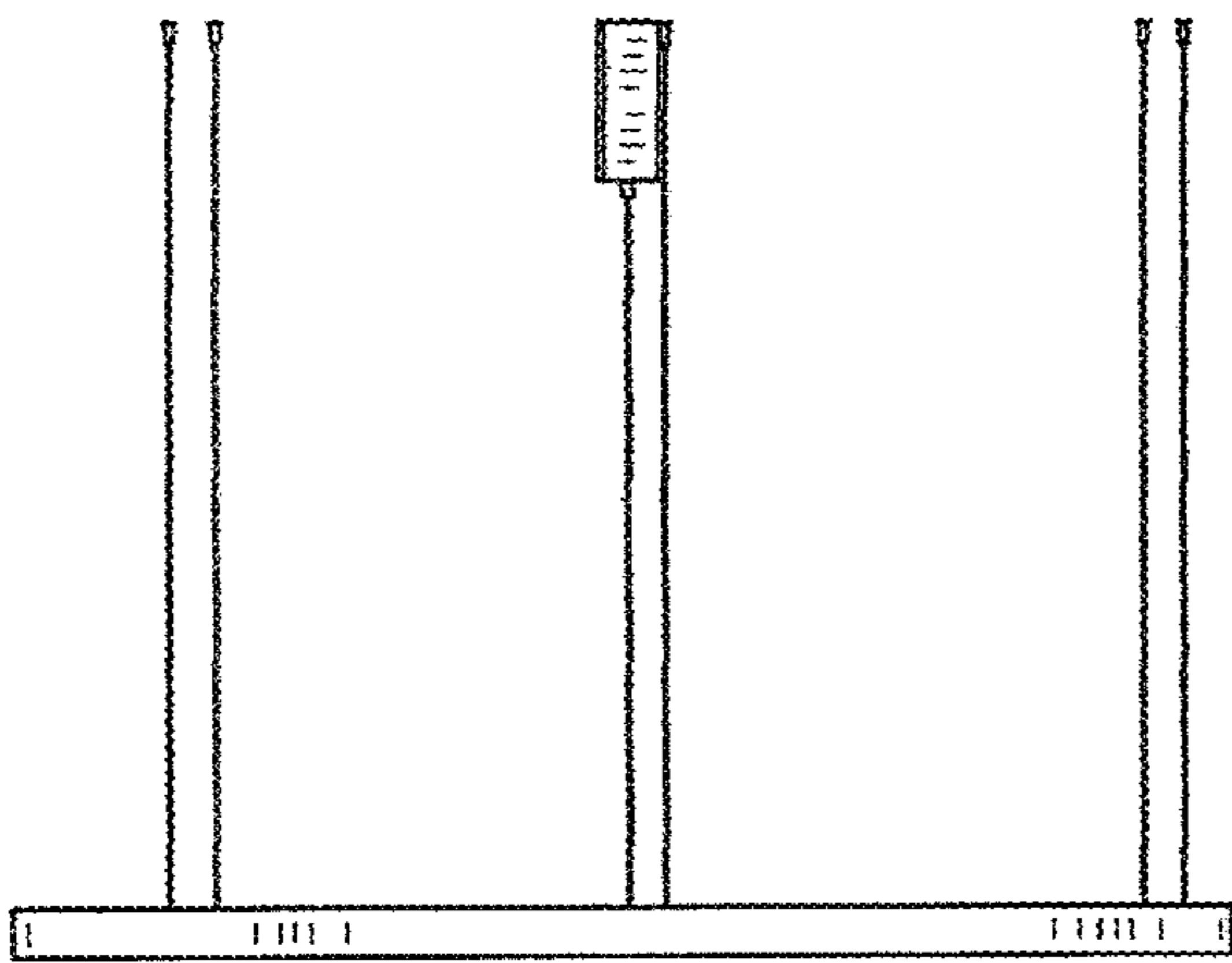


FIG. 30

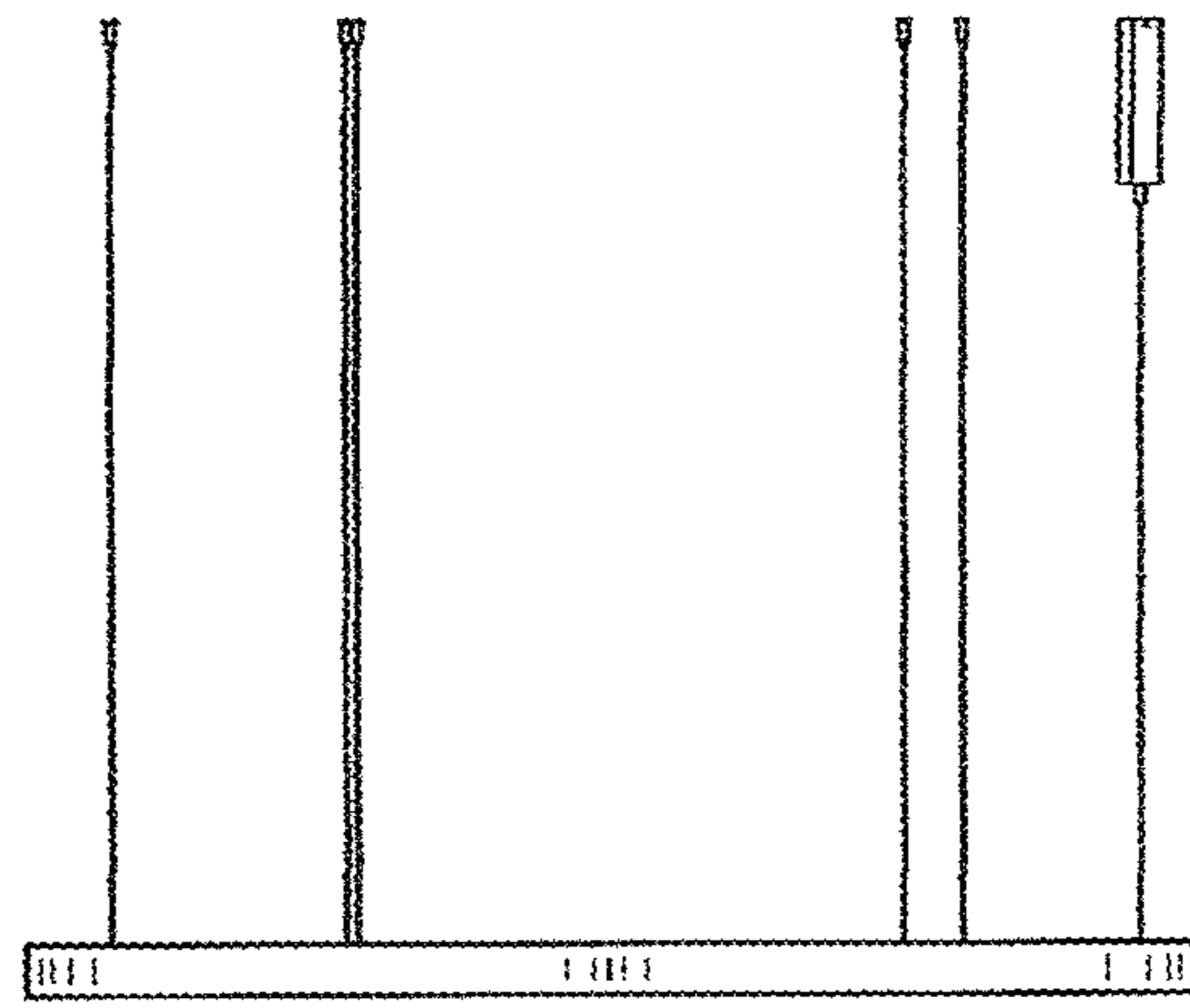


FIG. 31

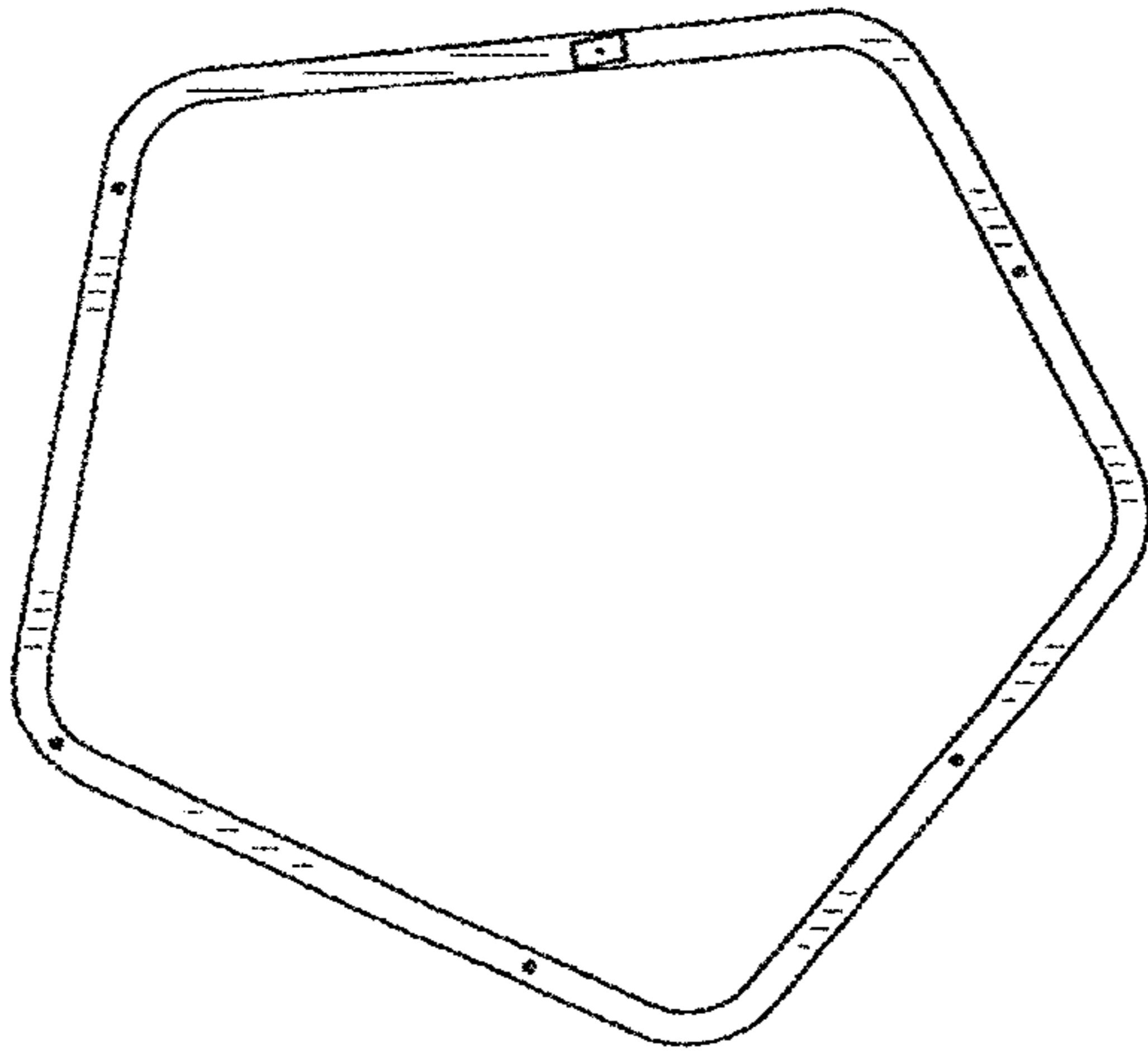


FIG. 32

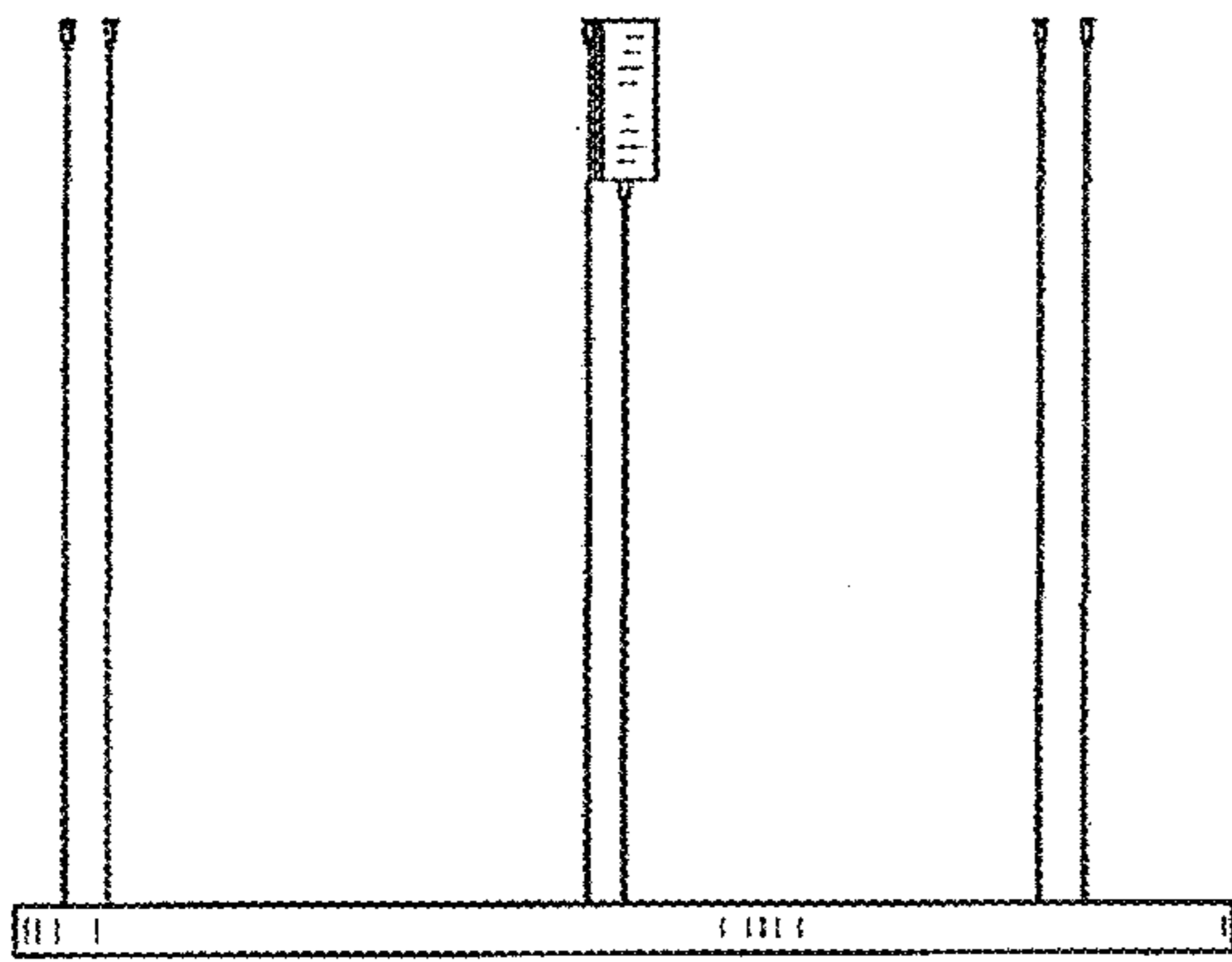


FIG. 33

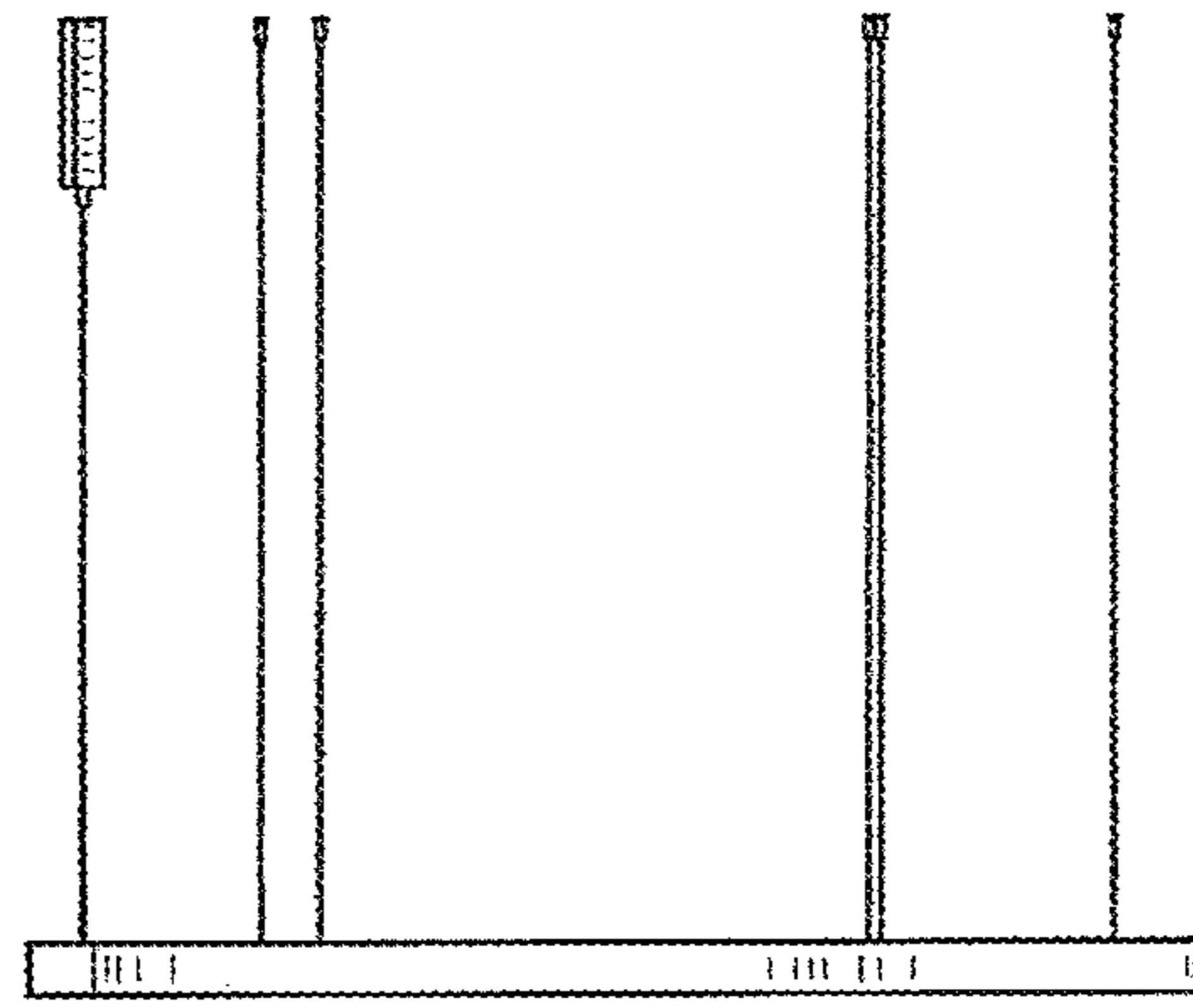


FIG. 34

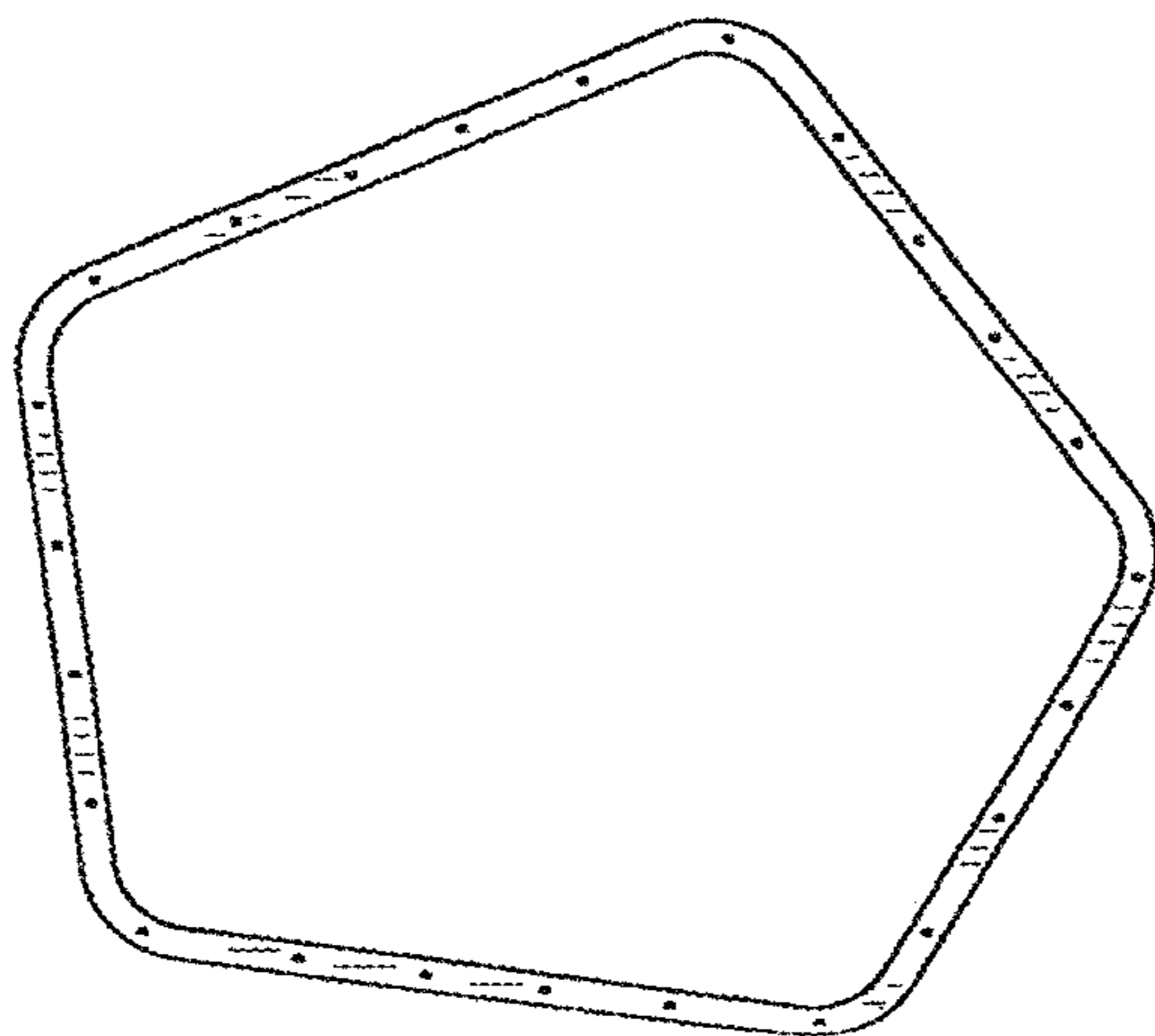


FIG. 35



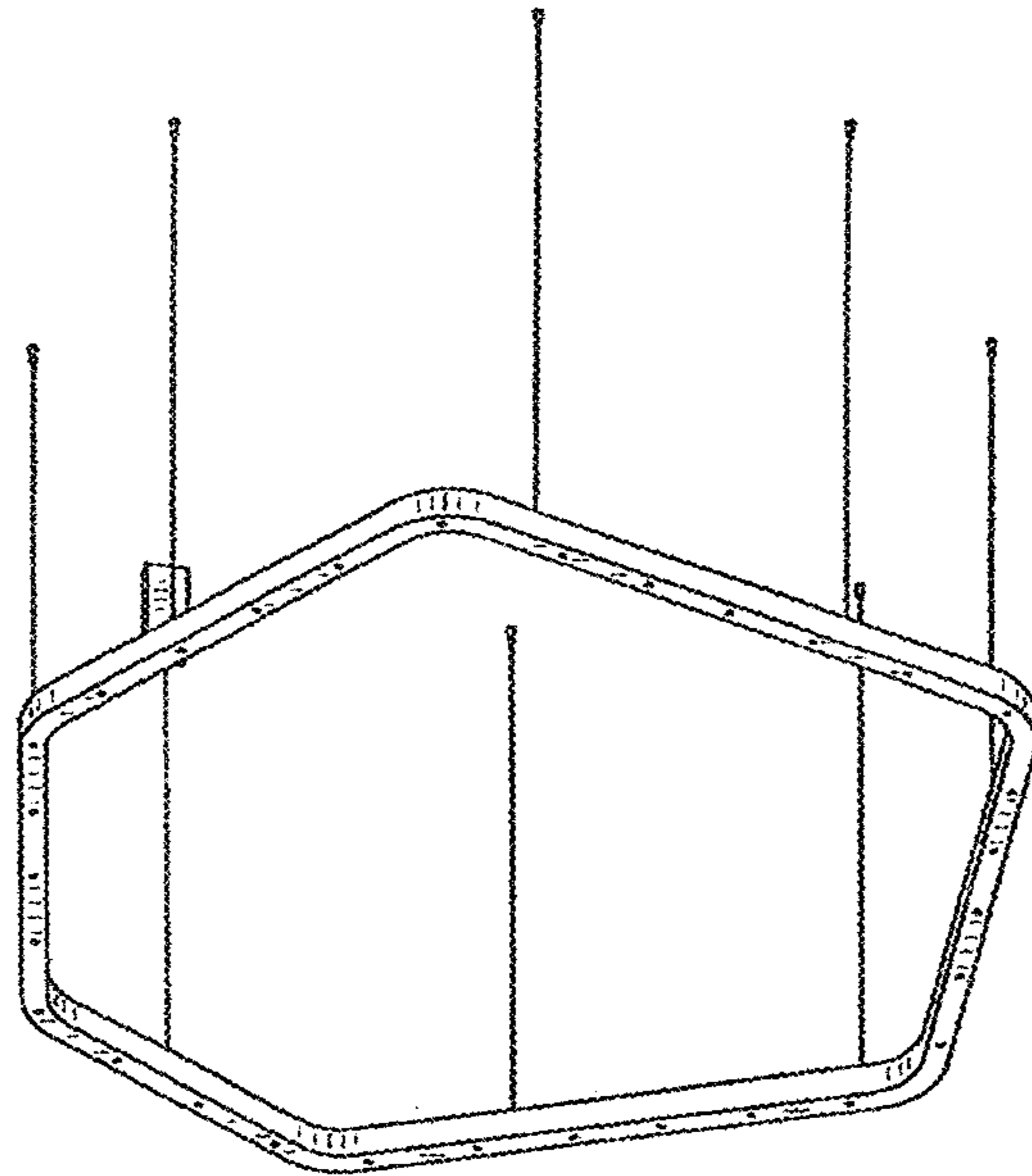


FIG. 36

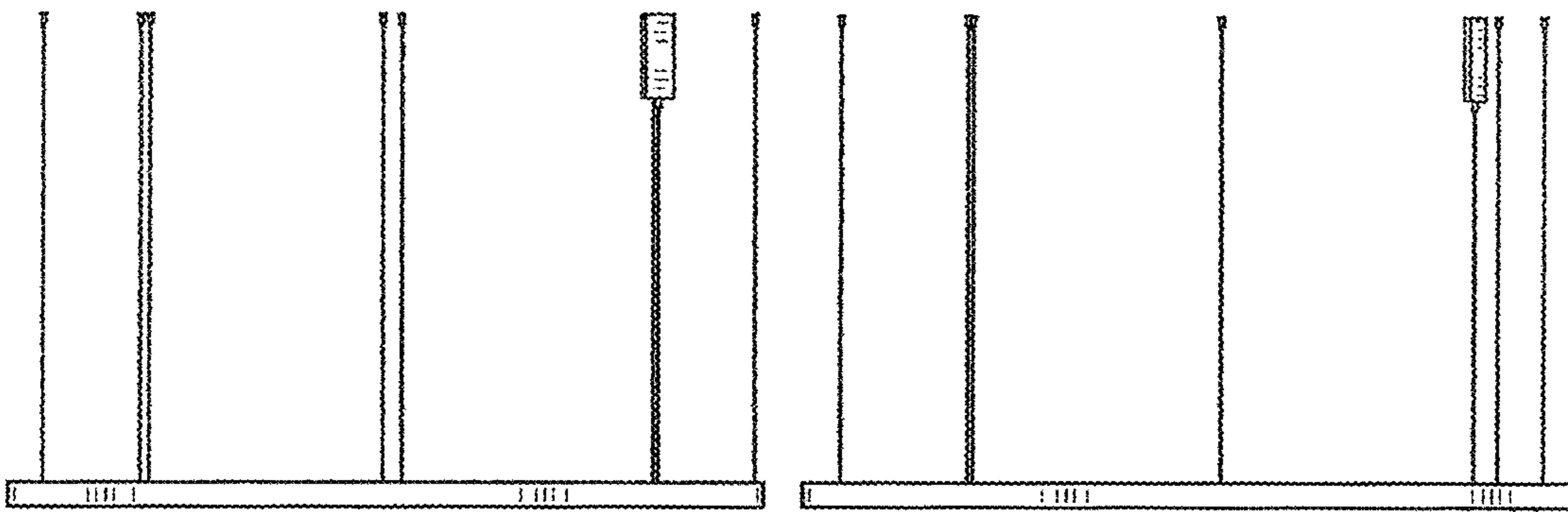


FIG. 37

FIG. 38

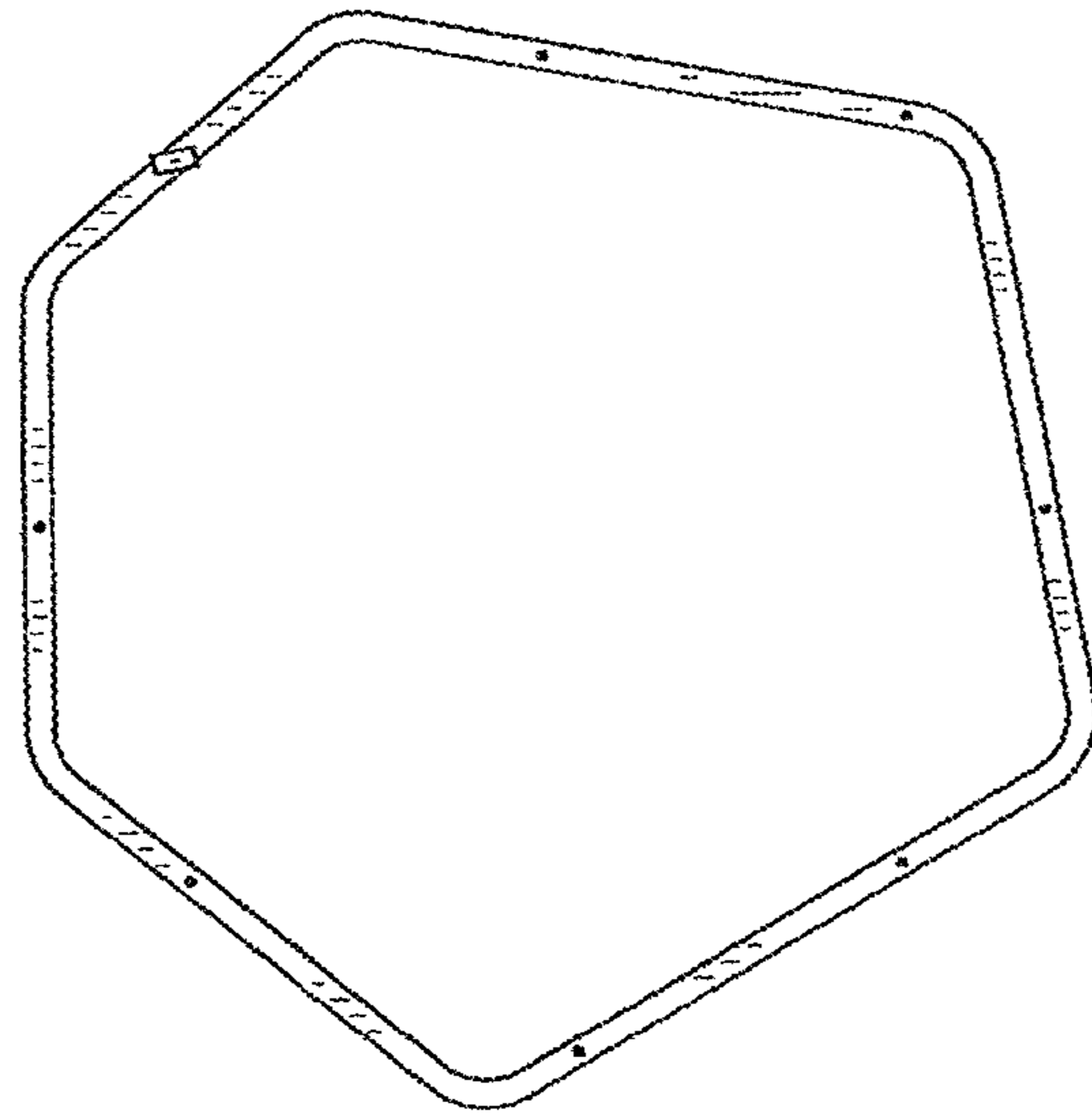


FIG. 39

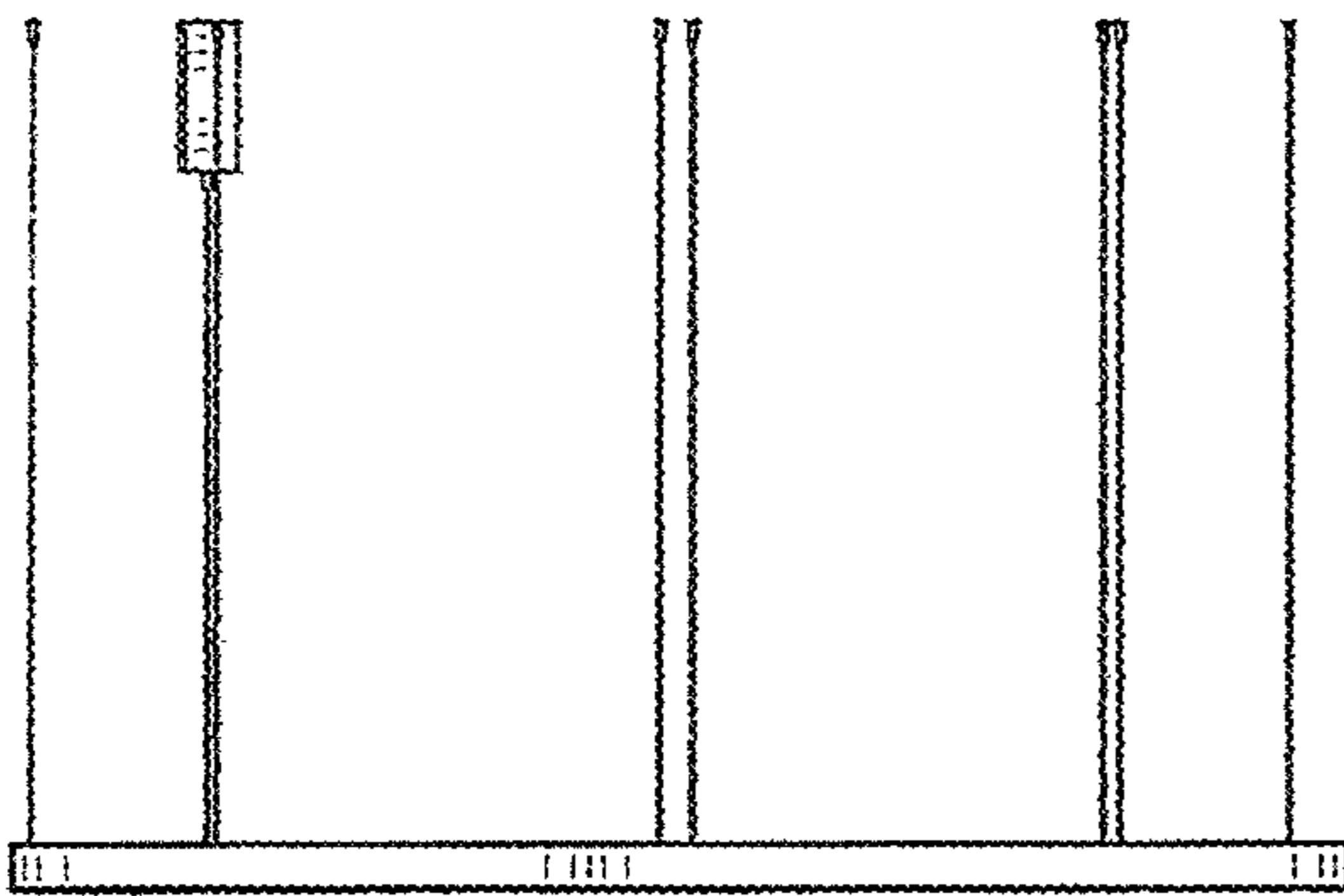


FIG. 40

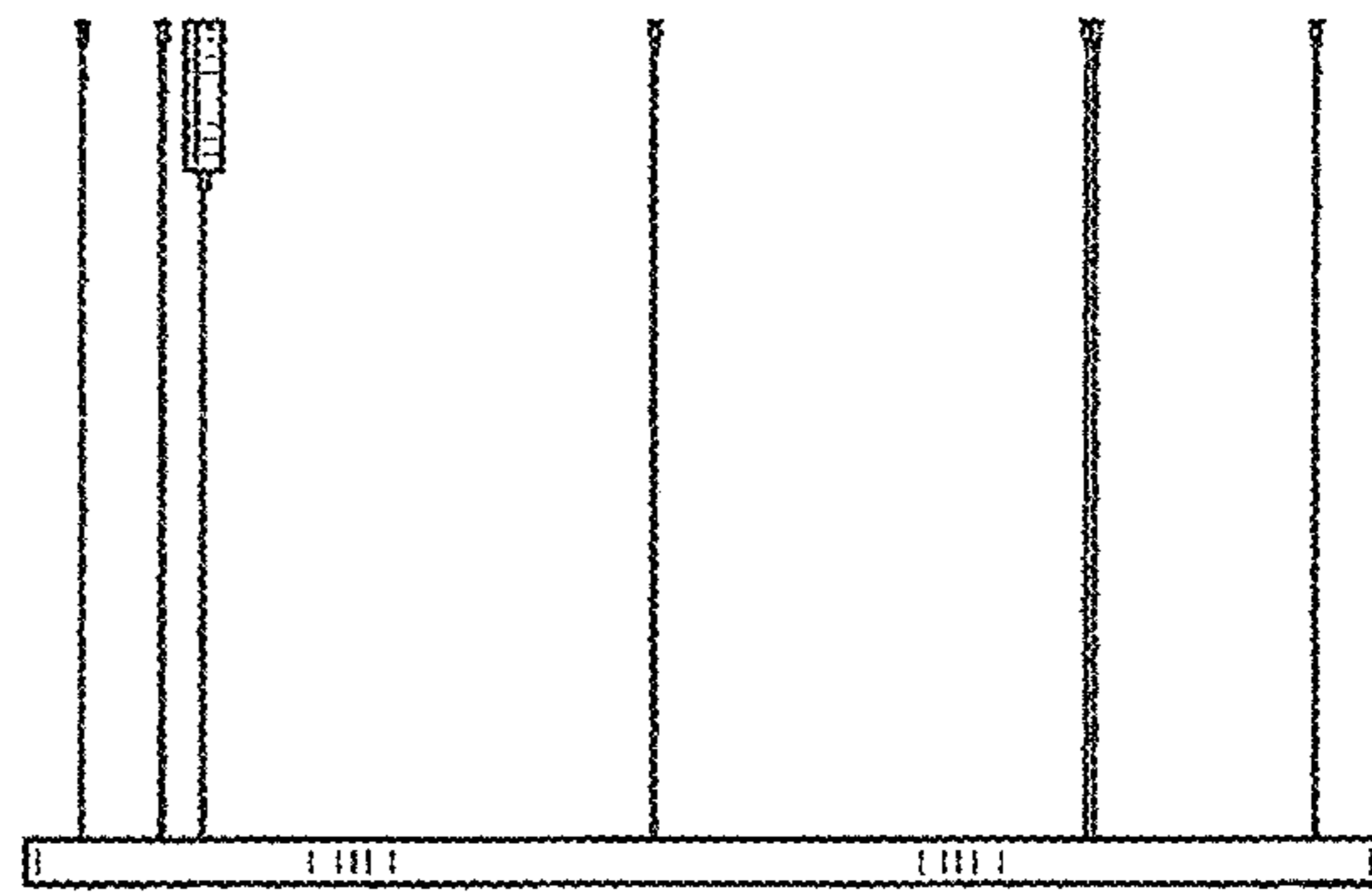


FIG. 41

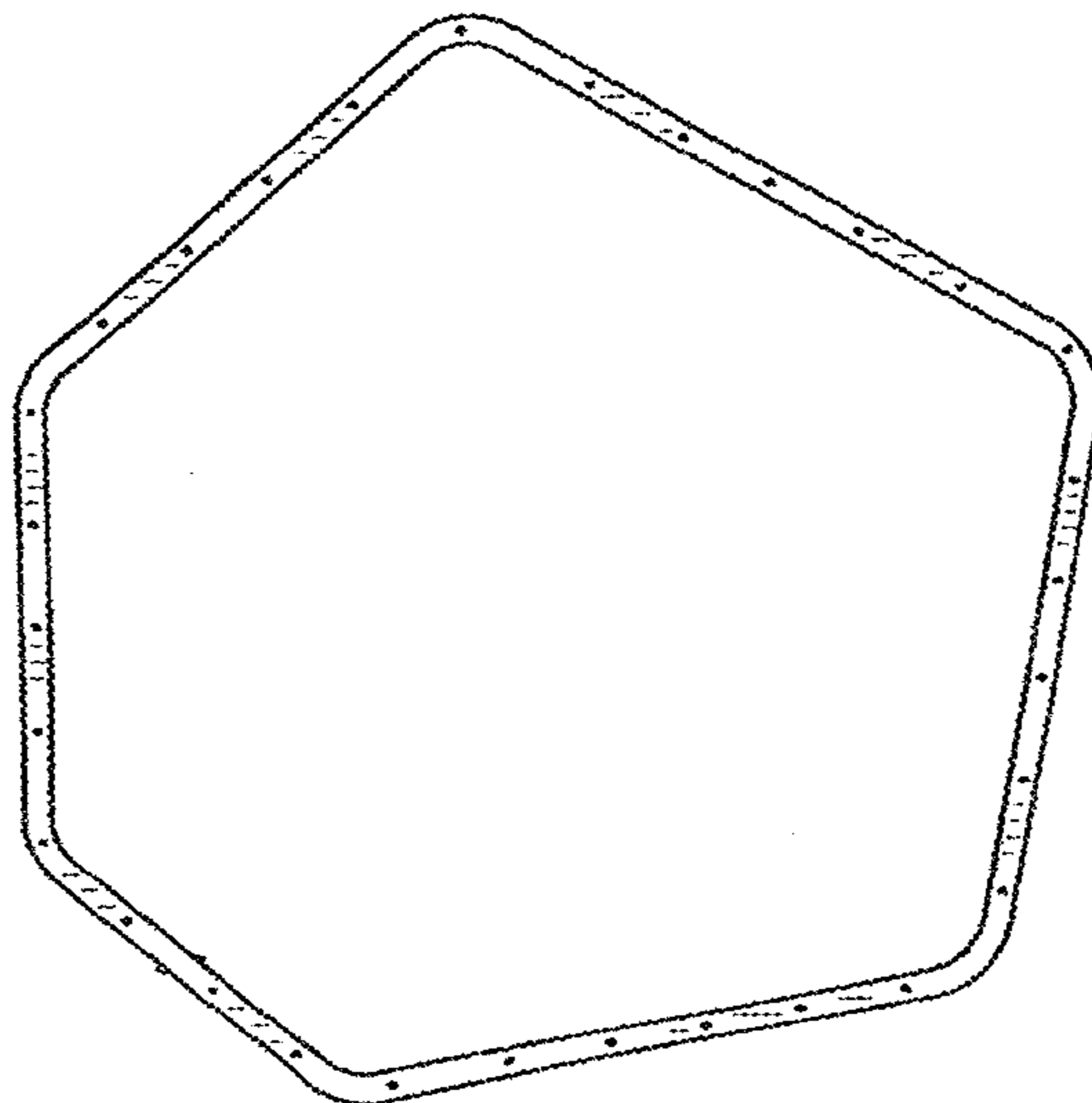


FIG. 42