



US00D810992S

(12) **United States Design Patent**
Ng et al.

(10) **Patent No.:** **US D810,992 S**

(45) **Date of Patent:** **** Feb. 20, 2018**

(54) **LAMP**

(71) Applicant: **Koncept Technologies, Inc.**, Monrovia, CA (US)

(72) Inventors: **Edmund Ng**, Monrovia, CA (US);
Kenneth Ng, Monrovia, CA (US)

(73) Assignee: **KONCEPT TECHNOLOGIES, INC.**, Monrovia, CA (US)

(**) Term: **15 Years**

(21) Appl. No.: **29/580,114**

(22) Filed: **Oct. 5, 2016**

(51) **LOC (11) Cl.** **26-03**

(52) **U.S. Cl.**
USPC **D26/90; D26/88; D26/91**

(58) **Field of Classification Search**
USPC D26/72, 80, 81, 84, 85, 86, 88, 90, 91,
D26/118, 138, 142
CPC F21S 8/043; F21S 8/046; F21S 8/06; F21S
8/061; F21S 8/063; F21S 8/065; F21S
8/066; F21S 8/068; F21V 21/008; F21V
21/02; F21V 21/03; F21V 21/112; F21V
21/38

See application file for complete search history.

(56) **References Cited**

U.S. PATENT DOCUMENTS

D220,206 S * 3/1971 Hamburger D26/75
D226,032 S * 1/1973 Siesholtz D26/86
D481,484 S * 10/2003 Cuevas D26/84
6,769,785 B1 * 8/2004 Herst F21V 21/112
174/63

D523,986 S * 6/2006 Waycaster D26/76
D536,468 S * 2/2007 Crosby D26/84
D653,794 S * 2/2012 Friedman D26/88
D701,991 S * 4/2014 Blum D26/90
D740,480 S * 10/2015 Thompson D26/90
D761,478 S * 7/2016 Ng D26/80
D761,990 S * 7/2016 Ng D26/80
D761,992 S * 7/2016 Ng D26/88
D775,397 S * 12/2016 Sonneman D26/90
D791,401 S * 7/2017 Sonneman D26/88
2008/0253116 A1 * 10/2008 Liao F21S 8/06
362/235
2010/0220497 A1 * 9/2010 Ngai F21S 8/06
362/610
2013/0329424 A1 * 12/2013 Clark F21S 8/061
362/235
2017/0030561 A1 * 2/2017 Dix F21V 21/28

* cited by examiner

Primary Examiner — Clare E Heffin

(74) *Attorney, Agent, or Firm* — Steins & Associates, P.C.

(57) **CLAIM**

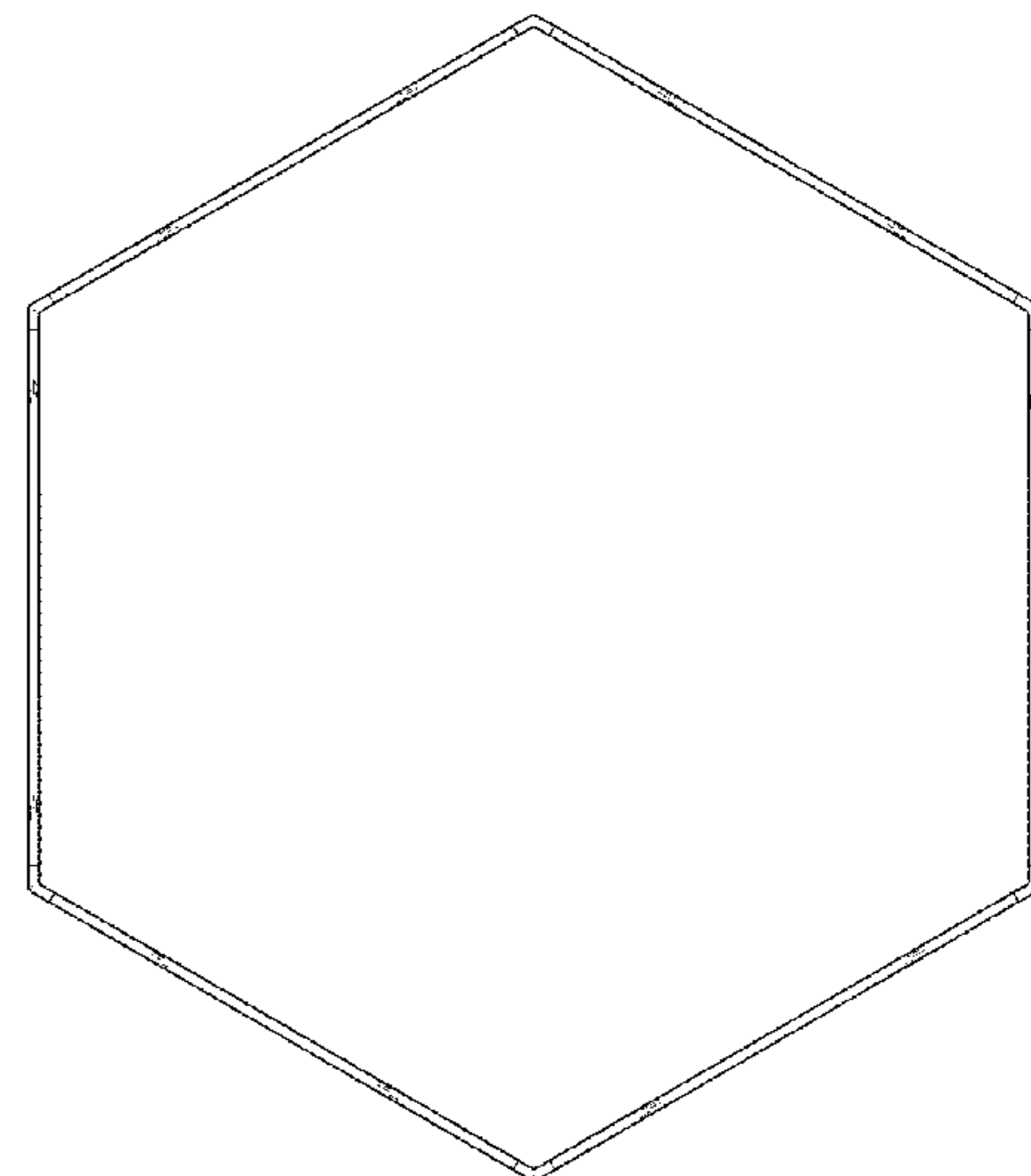
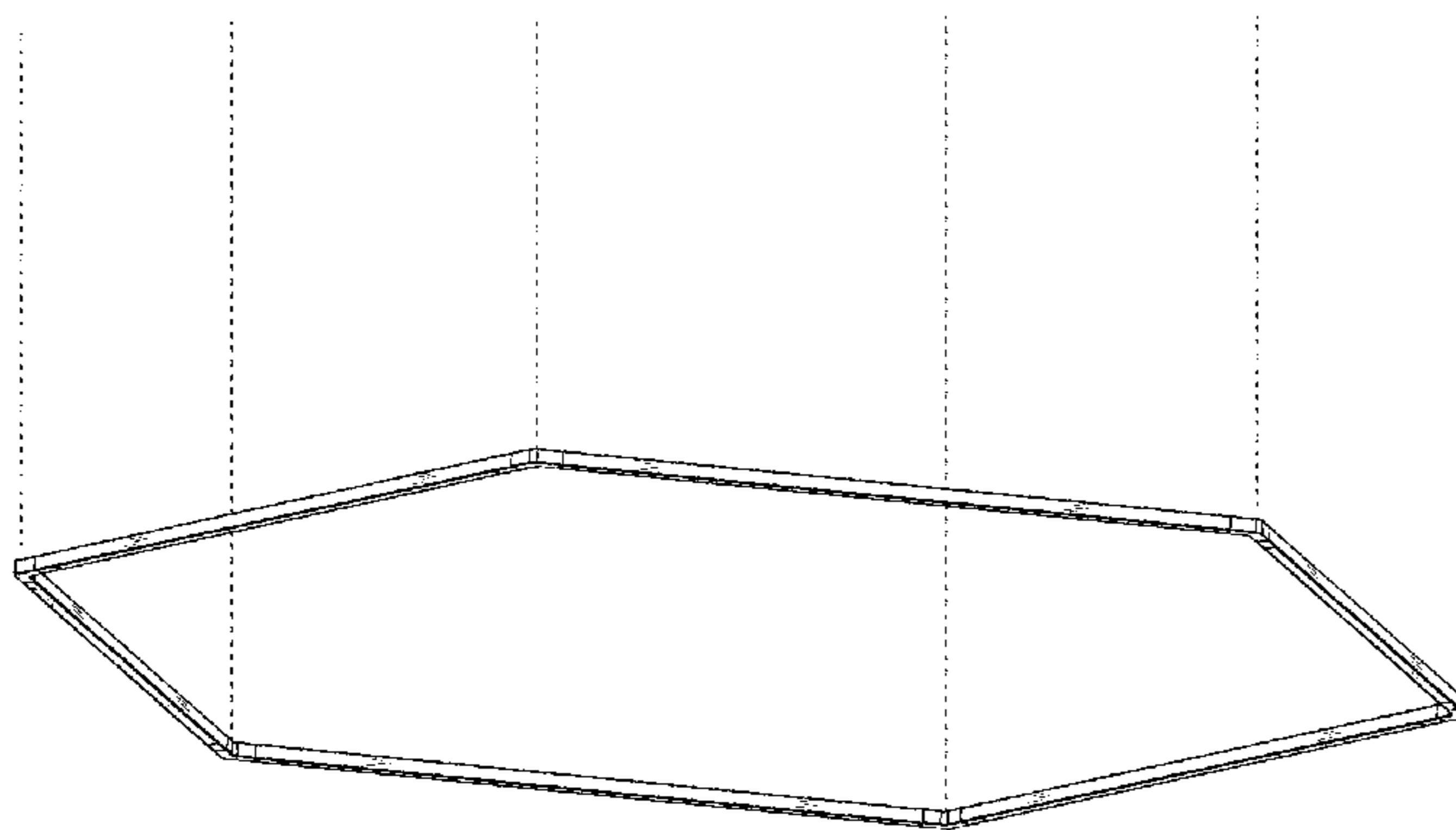
What is claimed is the ornamental design for a lamp, as shown and described.

DESCRIPTION

FIG. 1 is a perspective view of the lamp;
FIG. 2 is a top view thereof;
FIG. 3 is a bottom view thereof;
FIG. 4 is a front view thereof;
FIG. 5 is a back view thereof;
FIG. 6 is a left side view thereof; and,
FIG. 7 is a right side view thereof.

The wires suspending the lamp are shown in broken lines and form no part of the claimed design.

1 Claim, 7 Drawing Sheets



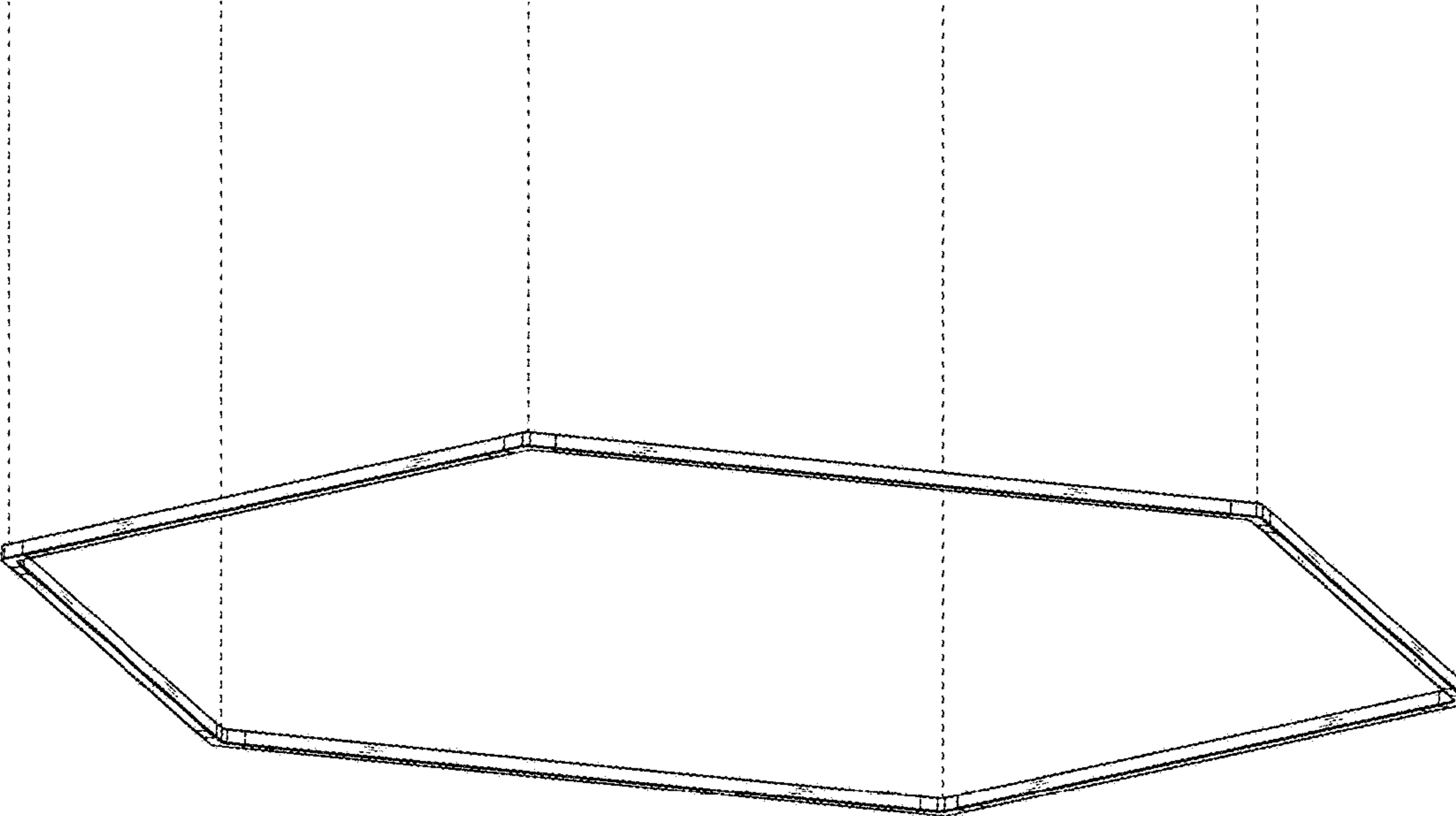


FIG. 1

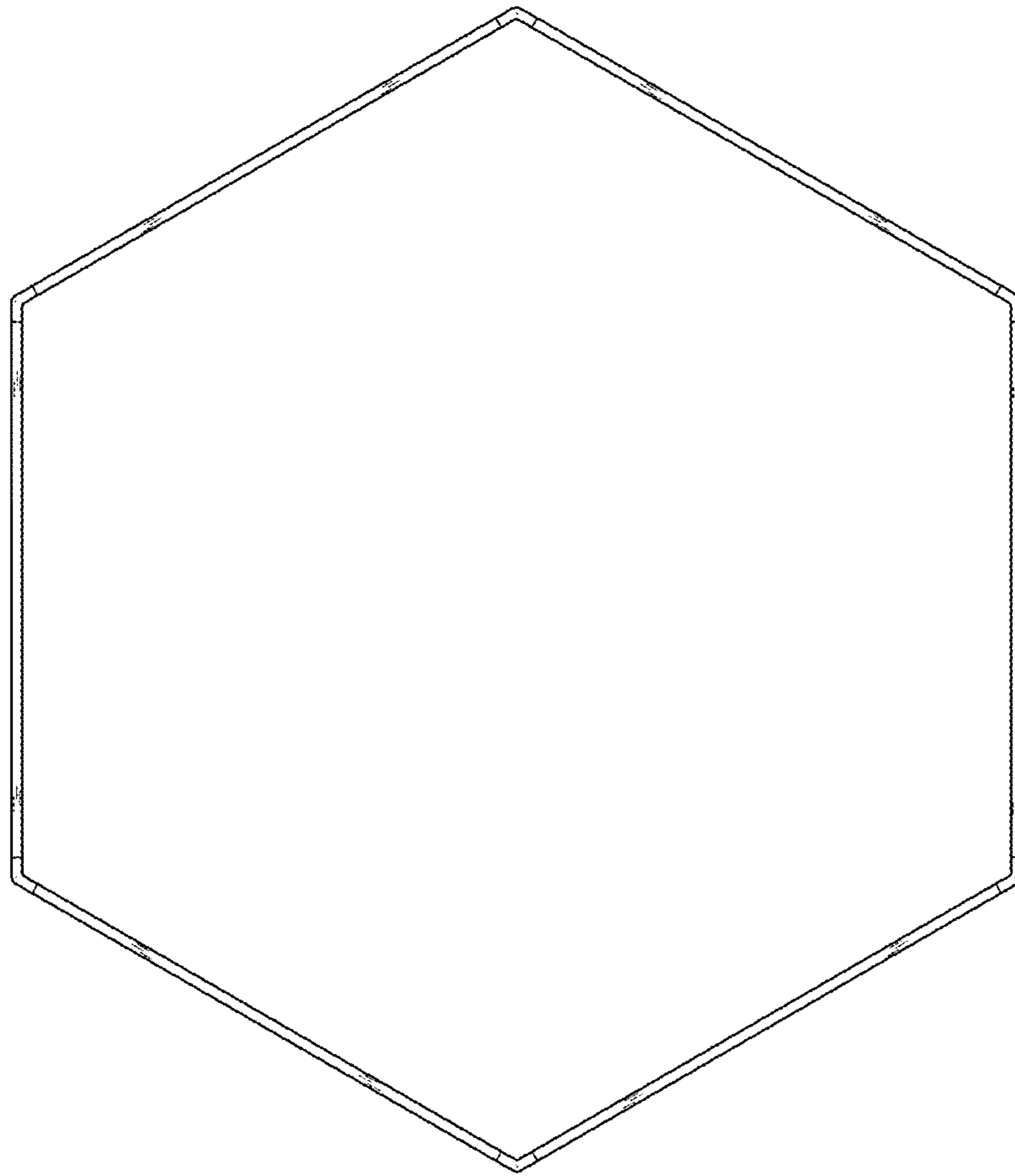


FIG. 2

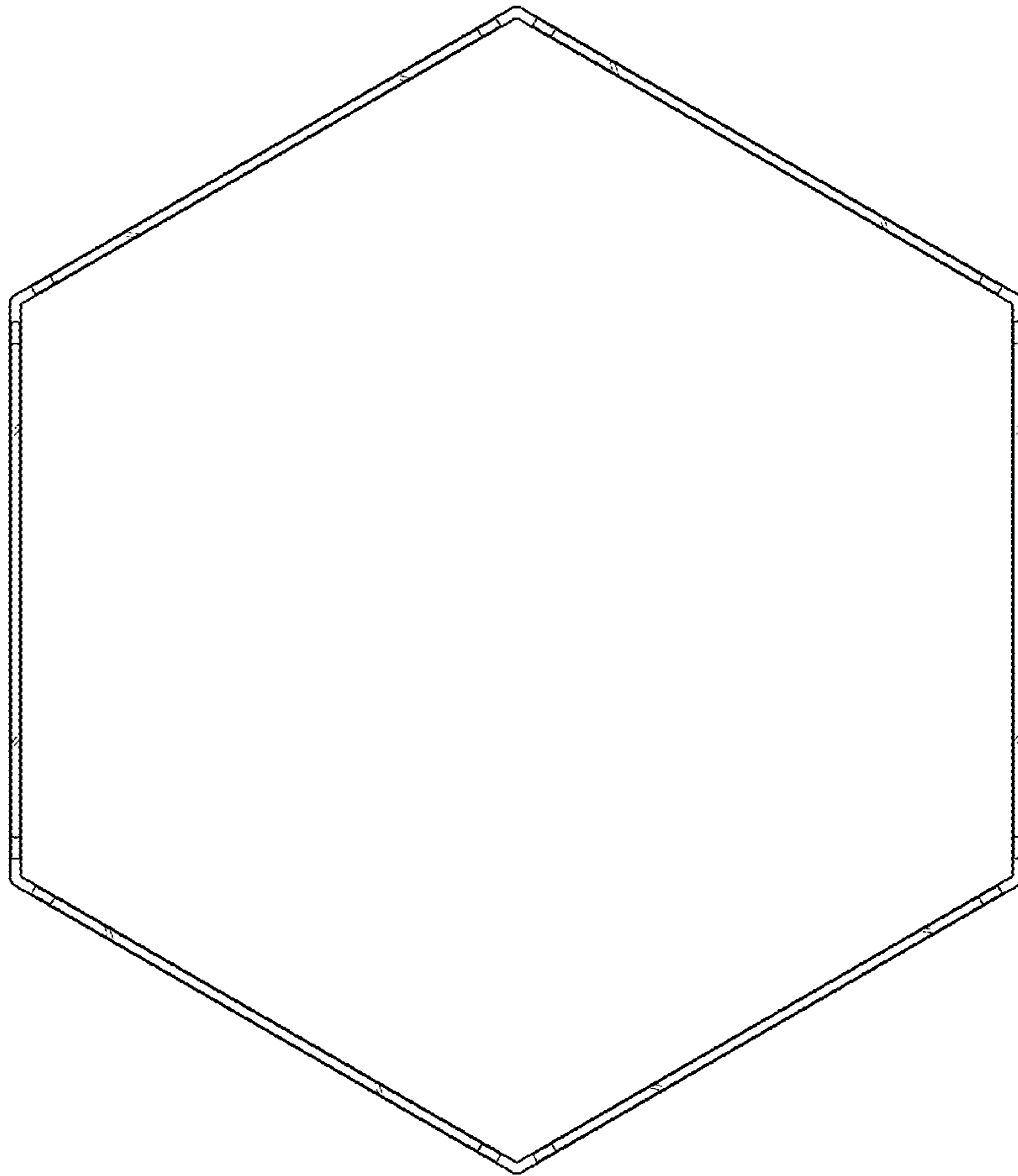


FIG. 3

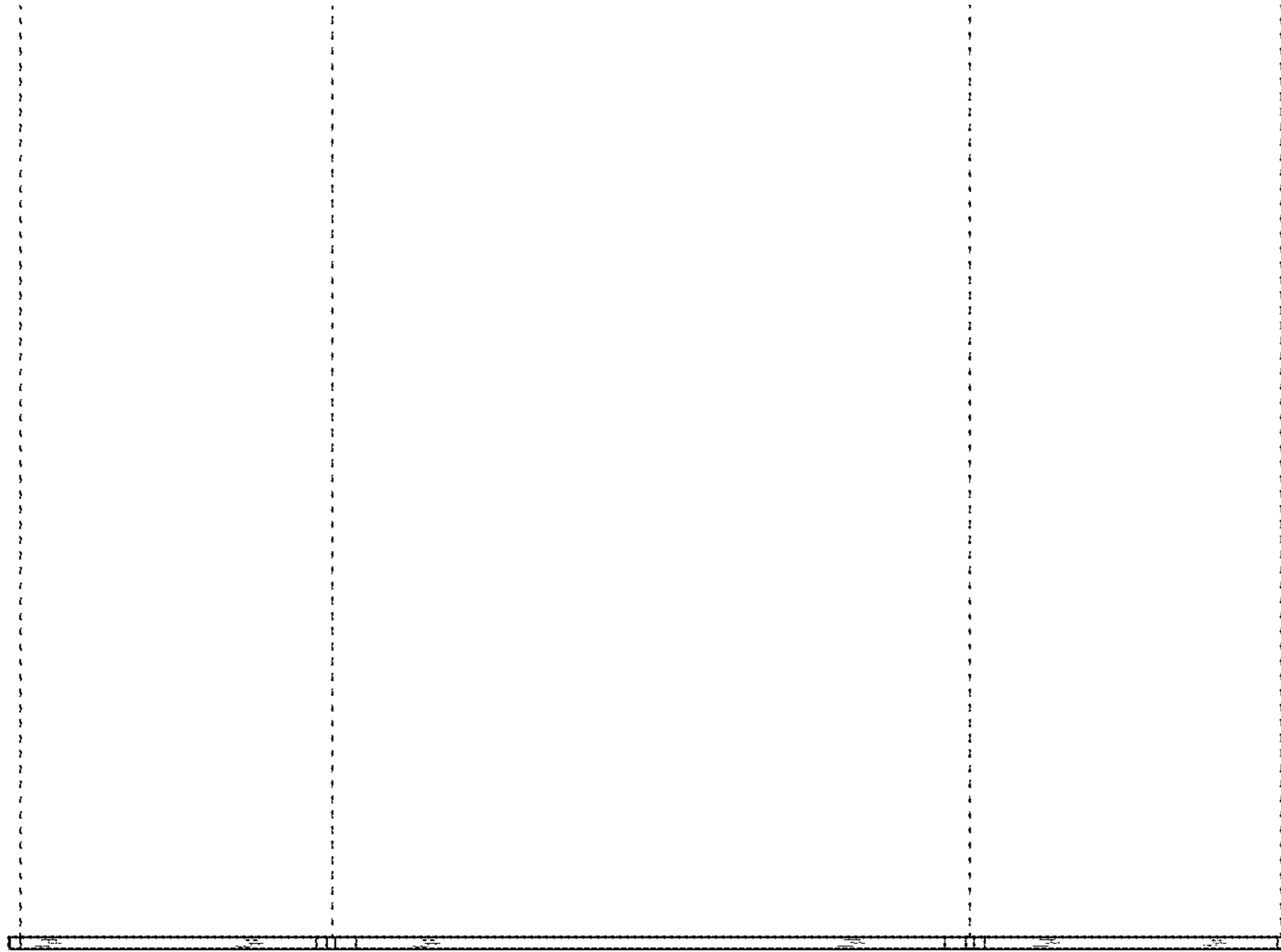


FIG. 4

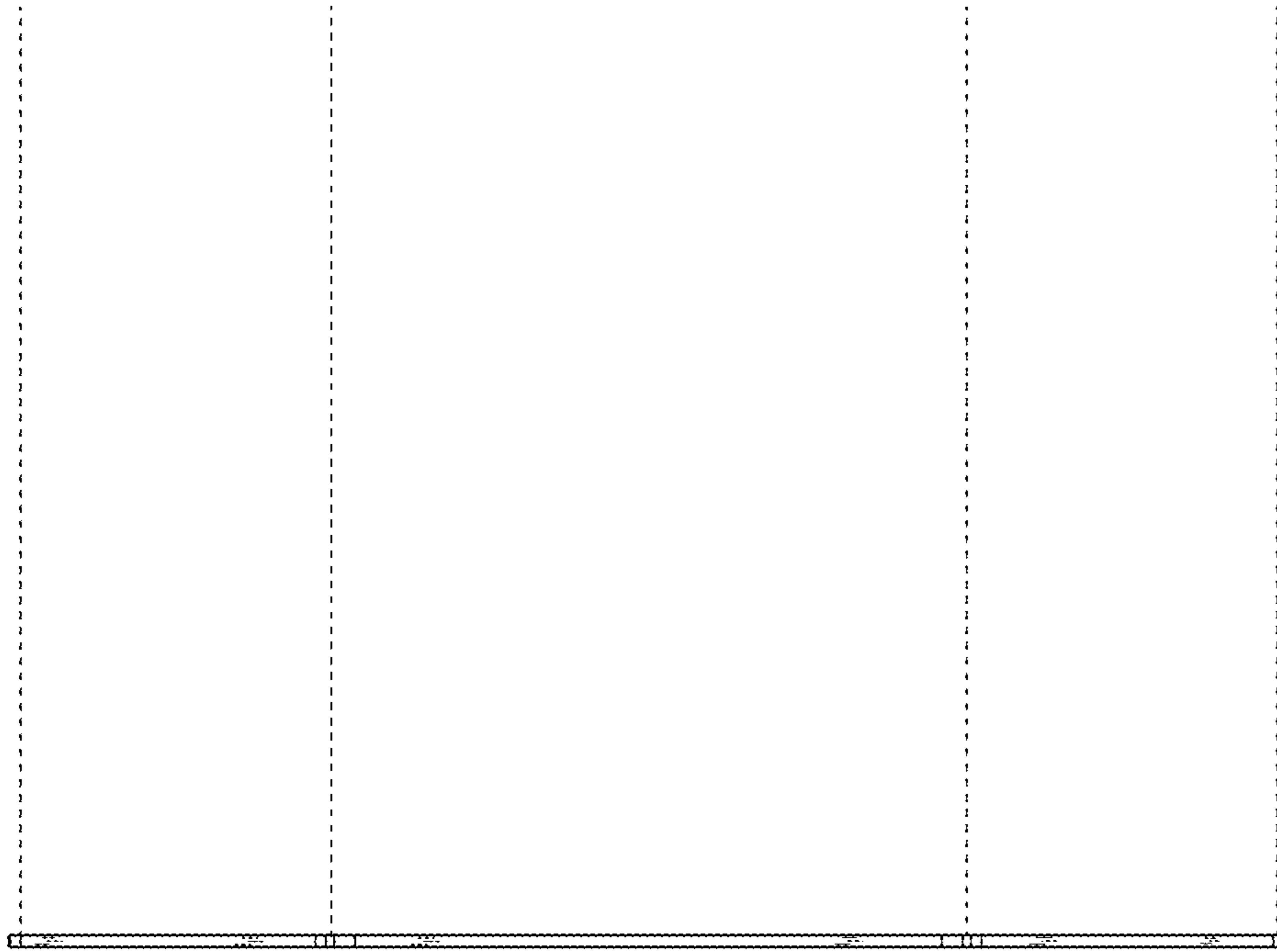


FIG. 5

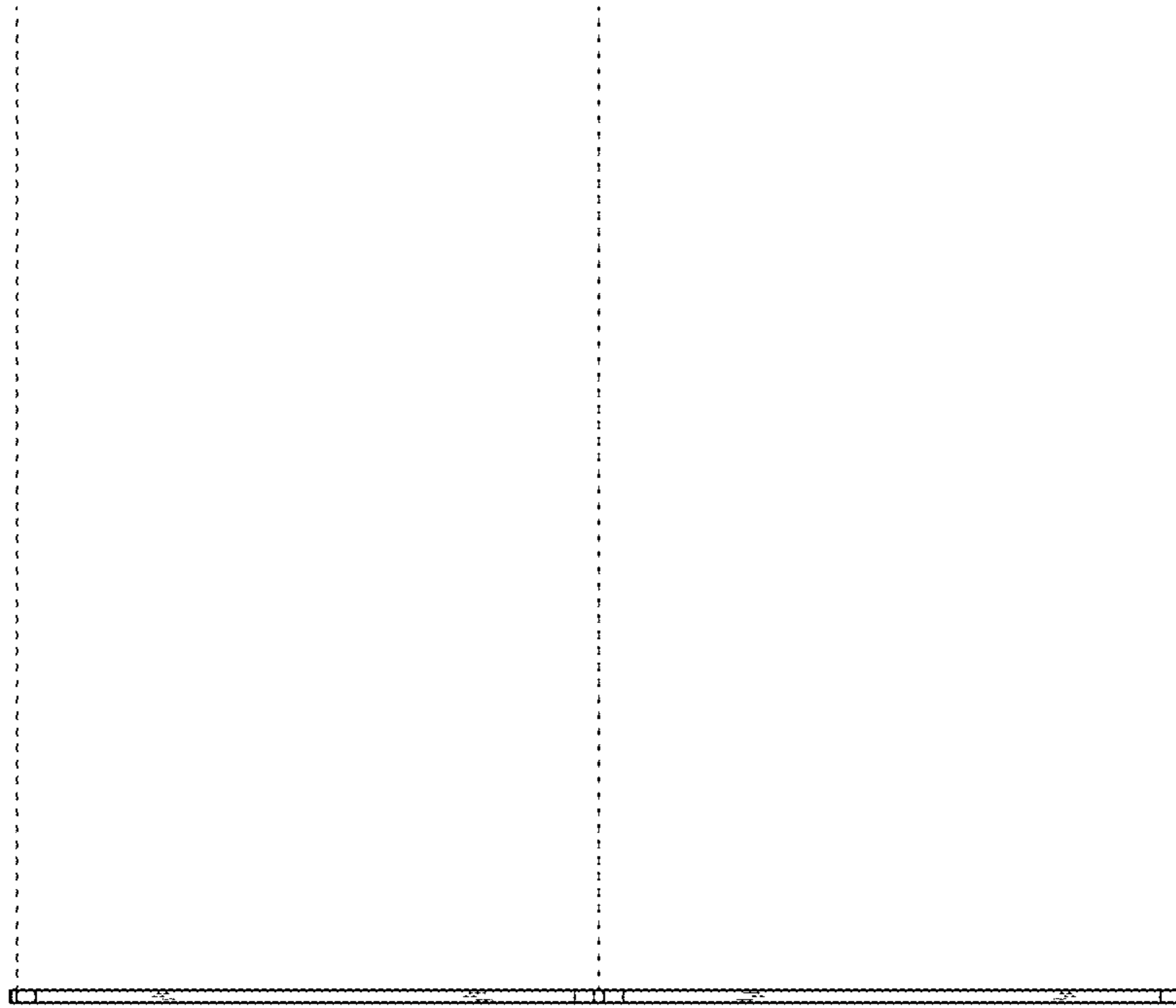


FIG. 6

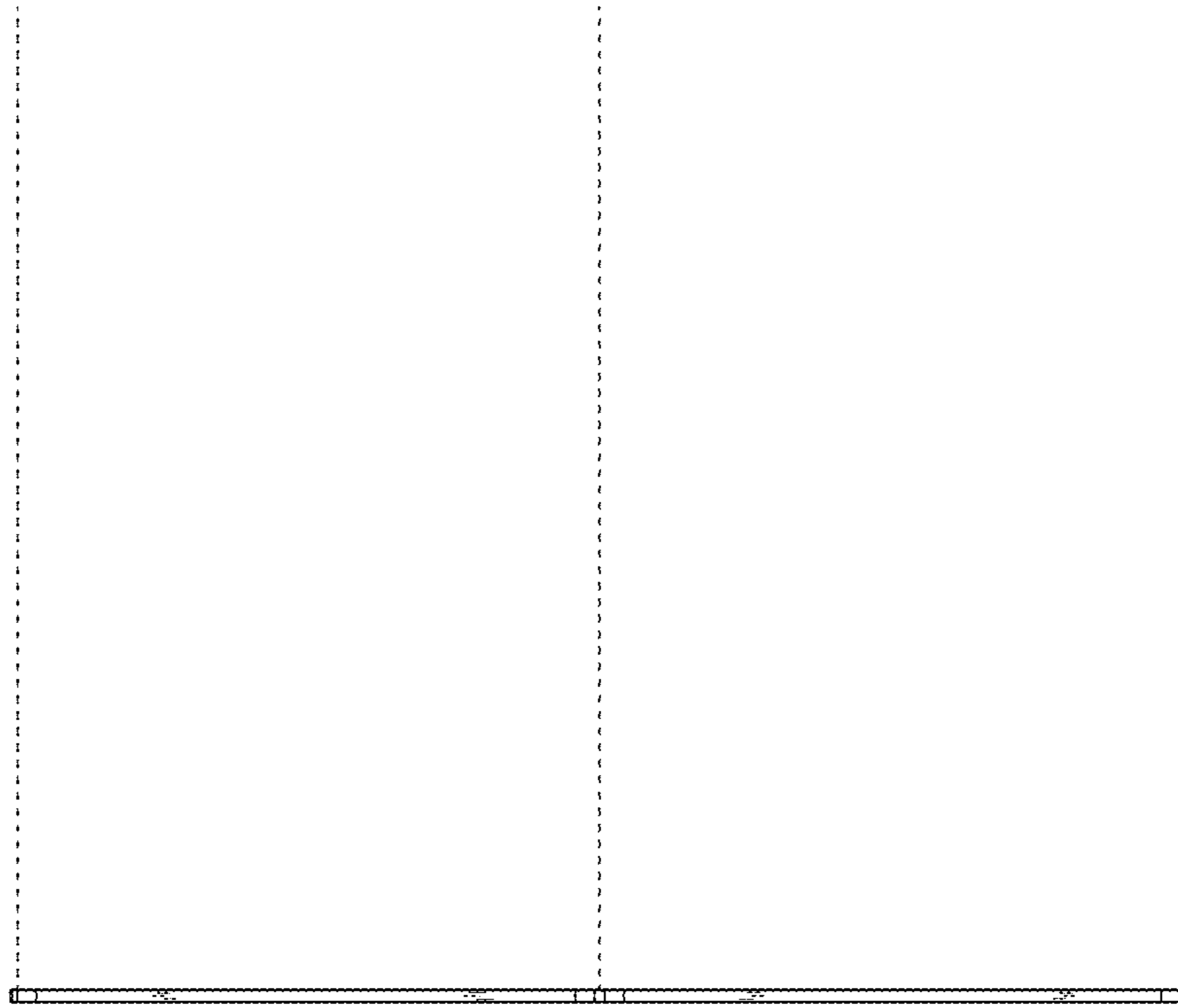


FIG. 7