



US00D810991S

(12) **United States Design Patent**
Lee et al.

(10) **Patent No.:** **US D810,991 S**

(45) **Date of Patent:** **** Feb. 20, 2018**

(54) **LIGHTING FIXTURE**

(71) Applicant: **Ladies & Gentlemen Studio, Inc.**,
Newcastle, WA (US)

(72) Inventors: **Hui Chun Lee**, Brooklyn, NY (US);
Dylan Davis, Brooklyn, NY (US)

(73) Assignee: **Ladies & Gentlemen Studio, Inc.**,
Brooklyn, NY (US)

(**) Term: **15 Years**

(21) Appl. No.: **29/562,859**

(22) Filed: **Apr. 29, 2016**

(51) **LOC (11) Cl.** **26-03**

(52) **U.S. Cl.**
USPC **D26/90; D26/88**

(58) **Field of Classification Search**
USPC D26/80, 81, 83, 84, 85, 86, 87, 88, 128,
D26/129, 130, 134, 137, 143, 144, 153
CPC F21S 8/043; F21S 8/046; F21S 8/06; F21S
8/061; F21S 8/063; F21S 8/065; F21S
8/066; F21S 8/068
See application file for complete search history.

(56) **References Cited**

U.S. PATENT DOCUMENTS

2,513,565 A * 7/1950 Johnson F21S 4/10
362/332
D204,013 S * 3/1966 Hall D26/128

D263,084 S * 2/1982 Suzuki D26/129
D293,723 S * 1/1988 Buttner D26/129
D498,017 S * 11/2004 Elliott D26/88
D596,779 S * 7/2009 Silver D26/88
D636,521 S * 4/2011 Lovegrove D26/88
D641,911 S * 7/2011 Gutting D26/88
D655,851 S * 3/2012 Sabernig D26/88
D761,992 S * 7/2016 Ng D26/88
D791,386 S * 7/2017 Arndt D26/88

* cited by examiner

Primary Examiner — Clare E Heflin

(74) *Attorney, Agent, or Firm* — Timothy W. Menasco,
Esq.; Harter Secrest & Emery LLP

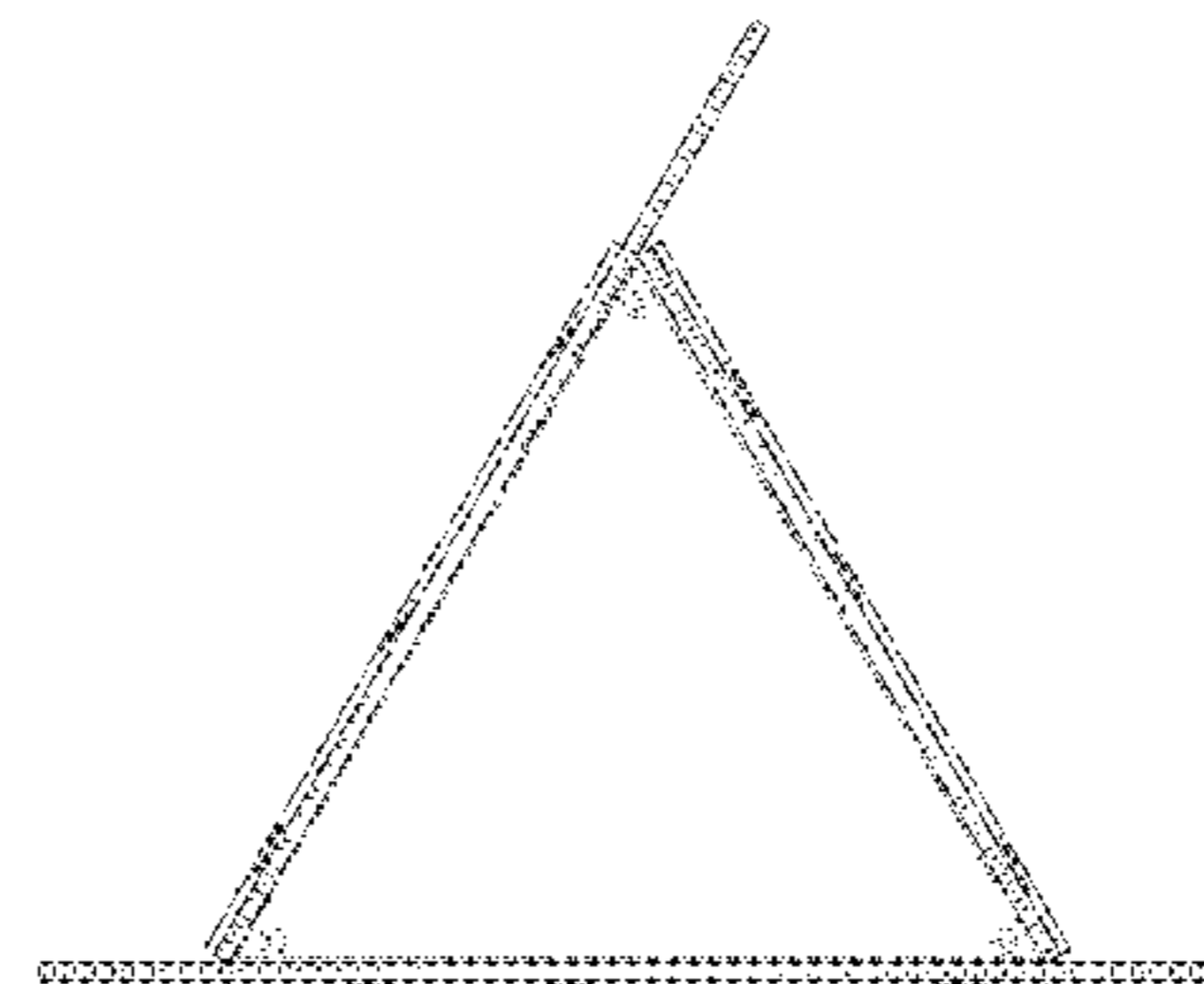
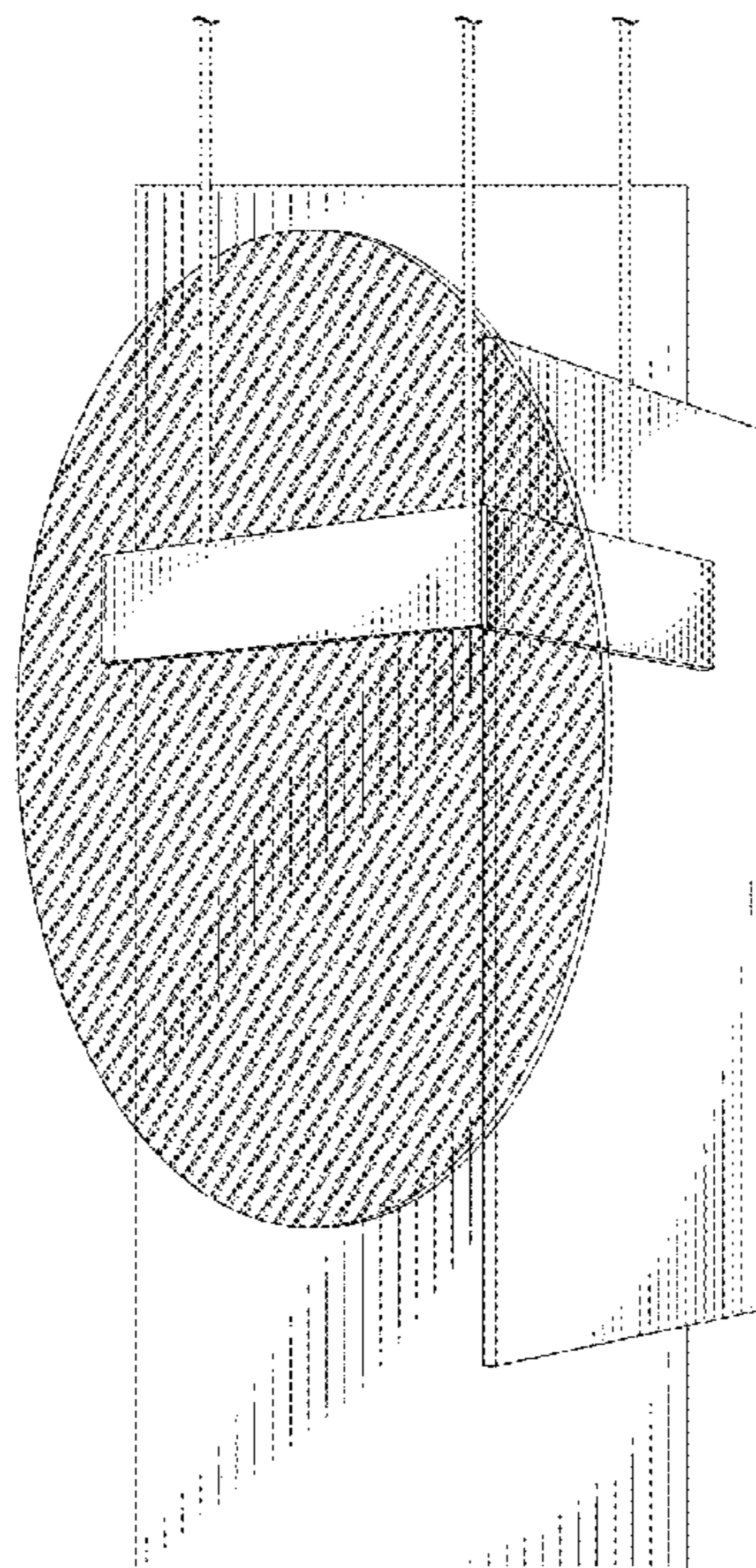
(57) **CLAIM**

The ornamental design for a lighting fixture, as shown and described.

DESCRIPTION

FIG. 1 is a front perspective view of a lighting fixture in accordance with the present invention;
FIG. 2 is a left side view thereof
FIG. 3 is a right side view thereof;
FIG. 4 is a rear view thereof;
FIG. 5 is a top view thereof; and,
FIG. 6 is a bottom view thereof.
The broken lines shown on the drawings depict portions of the lighting fixture that form no part of the claimed design.

1 Claim, 5 Drawing Sheets



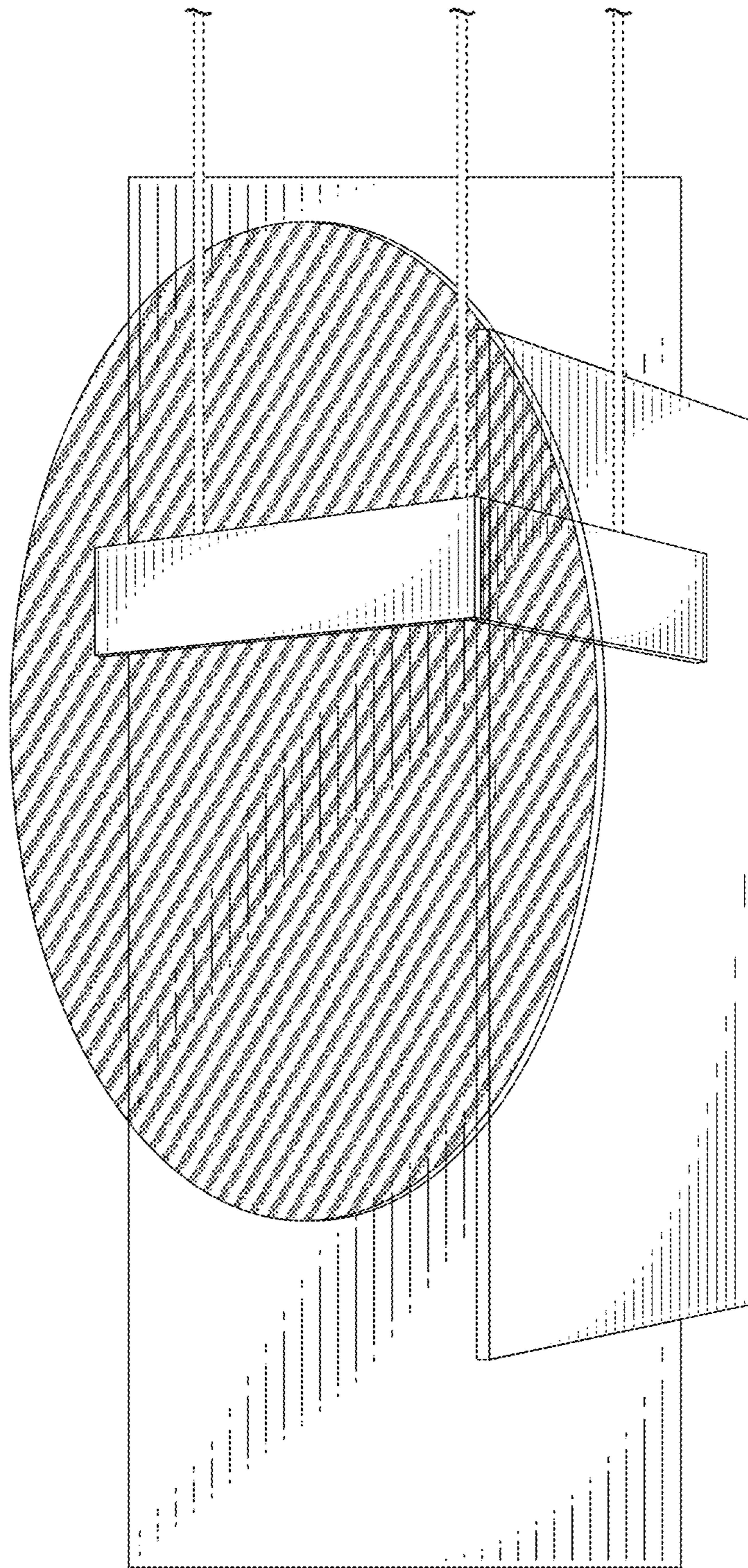


FIG. 1

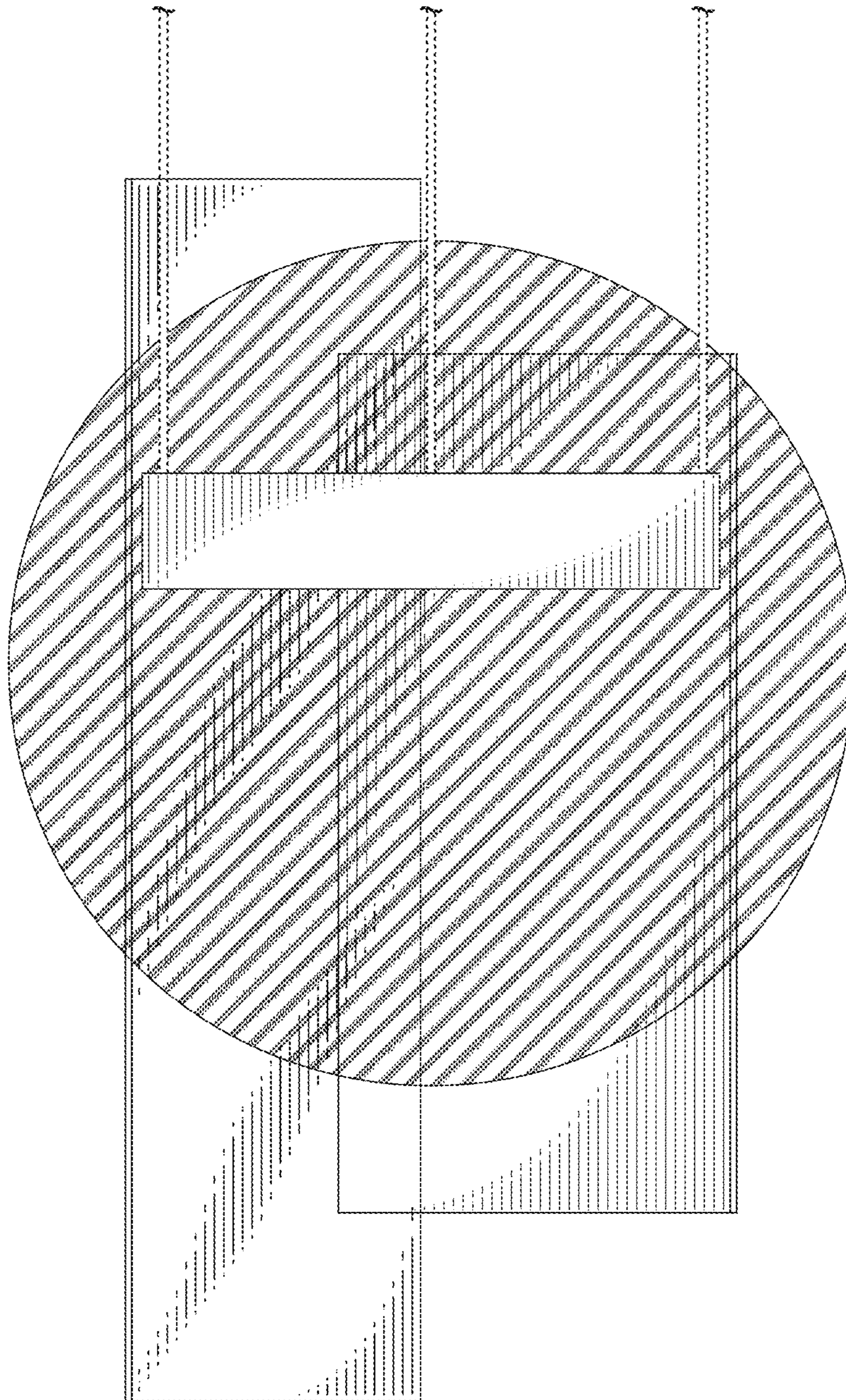


FIG. 2

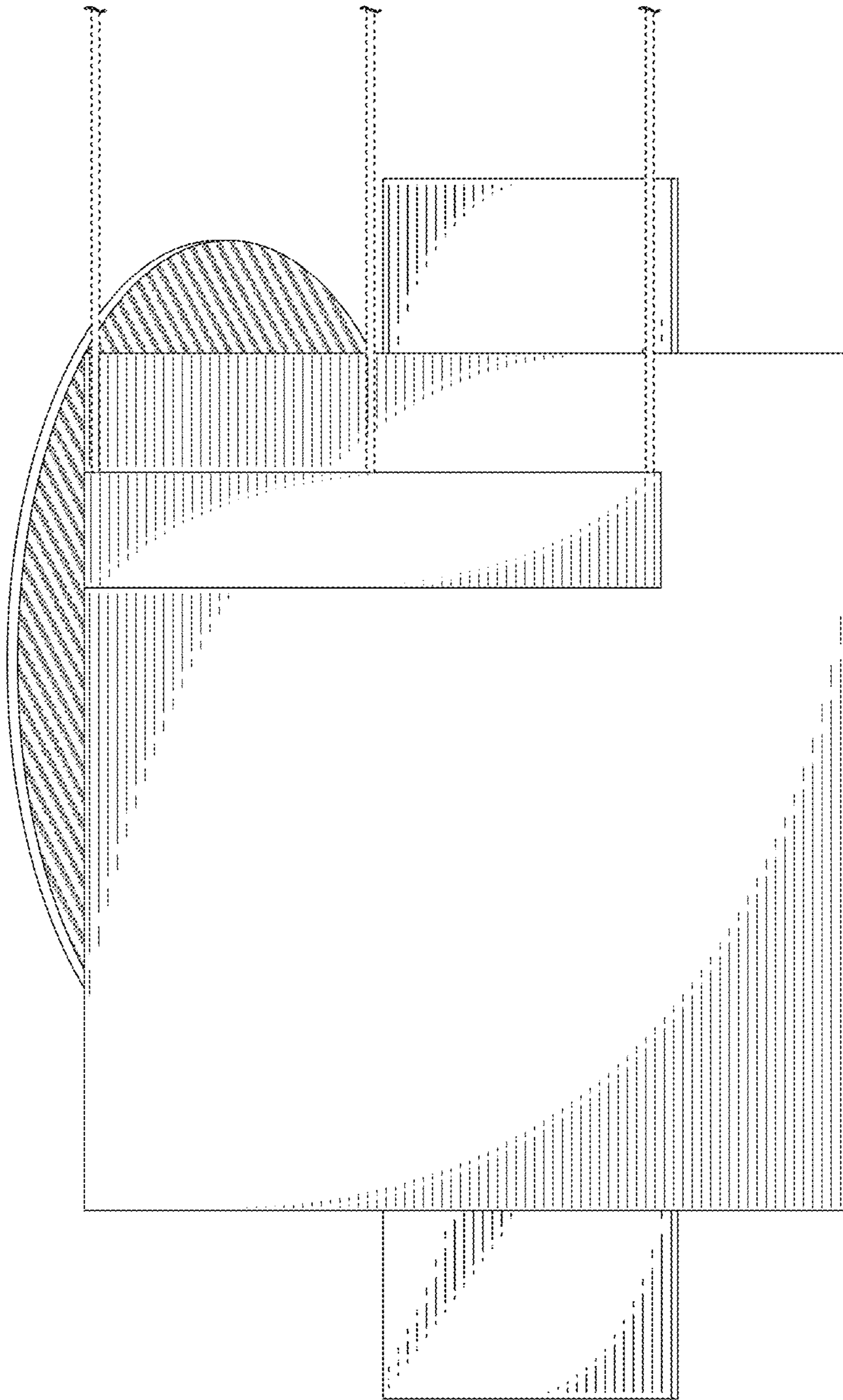


FIG. 3

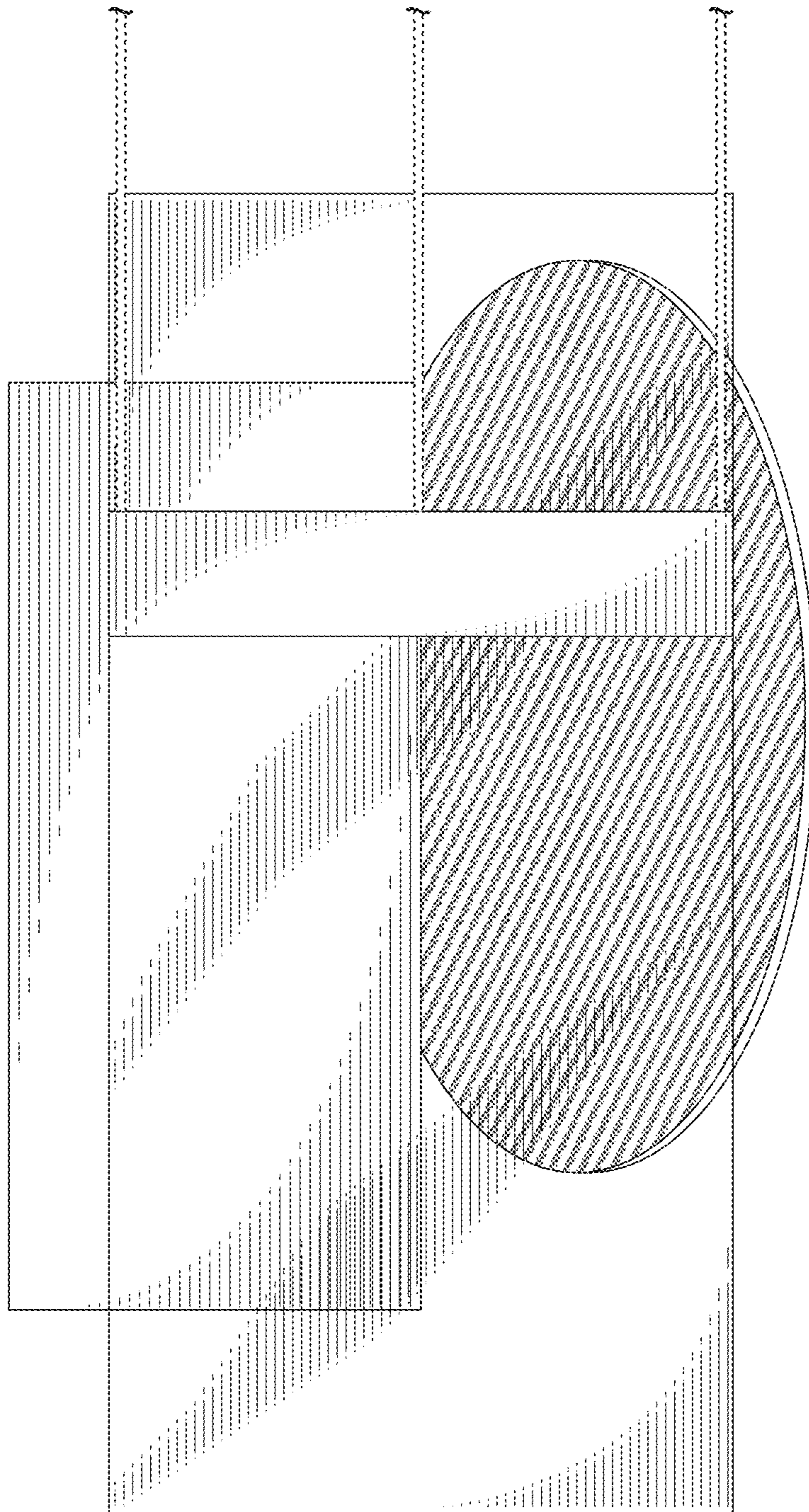


FIG. 4

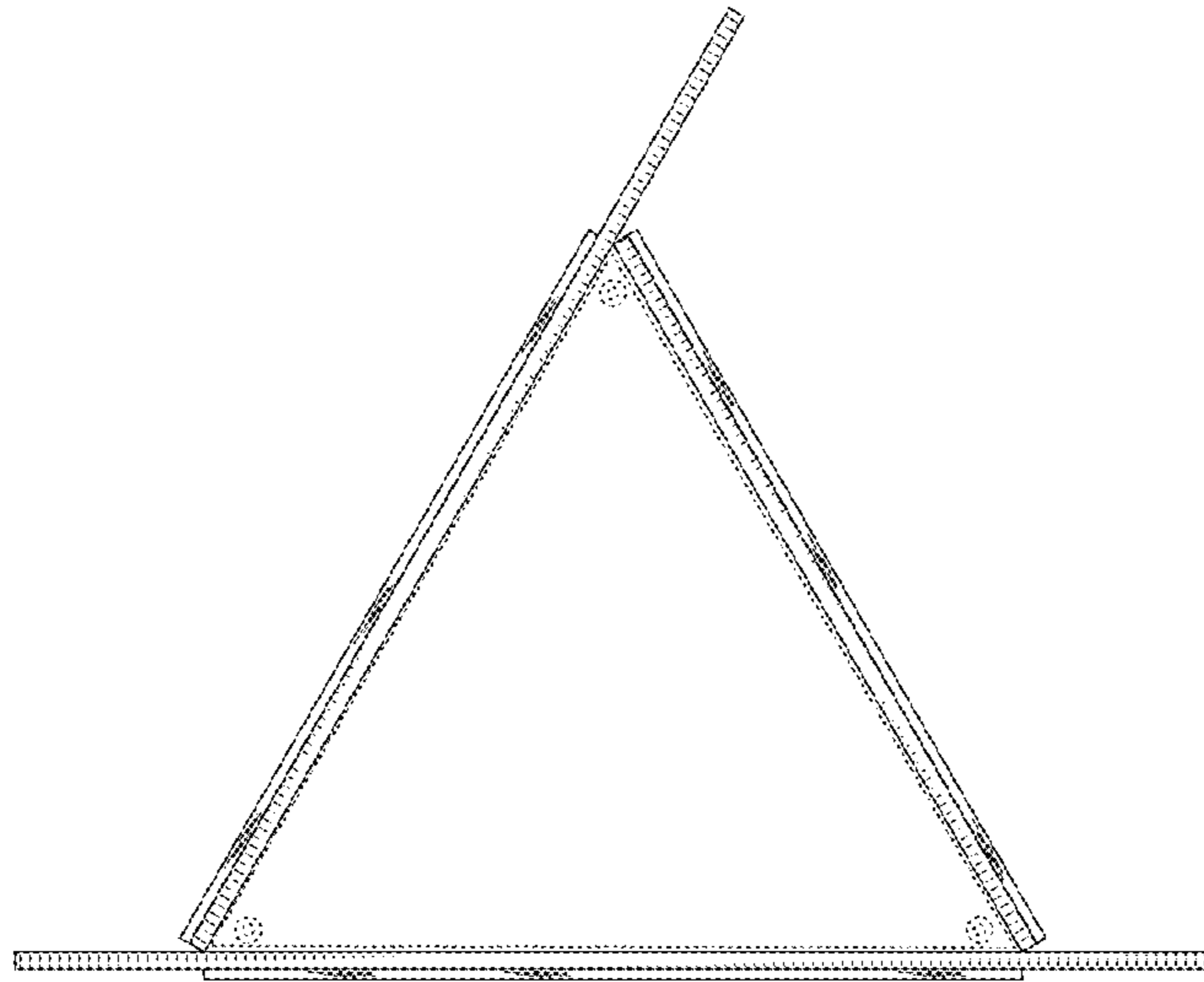


FIG. 5

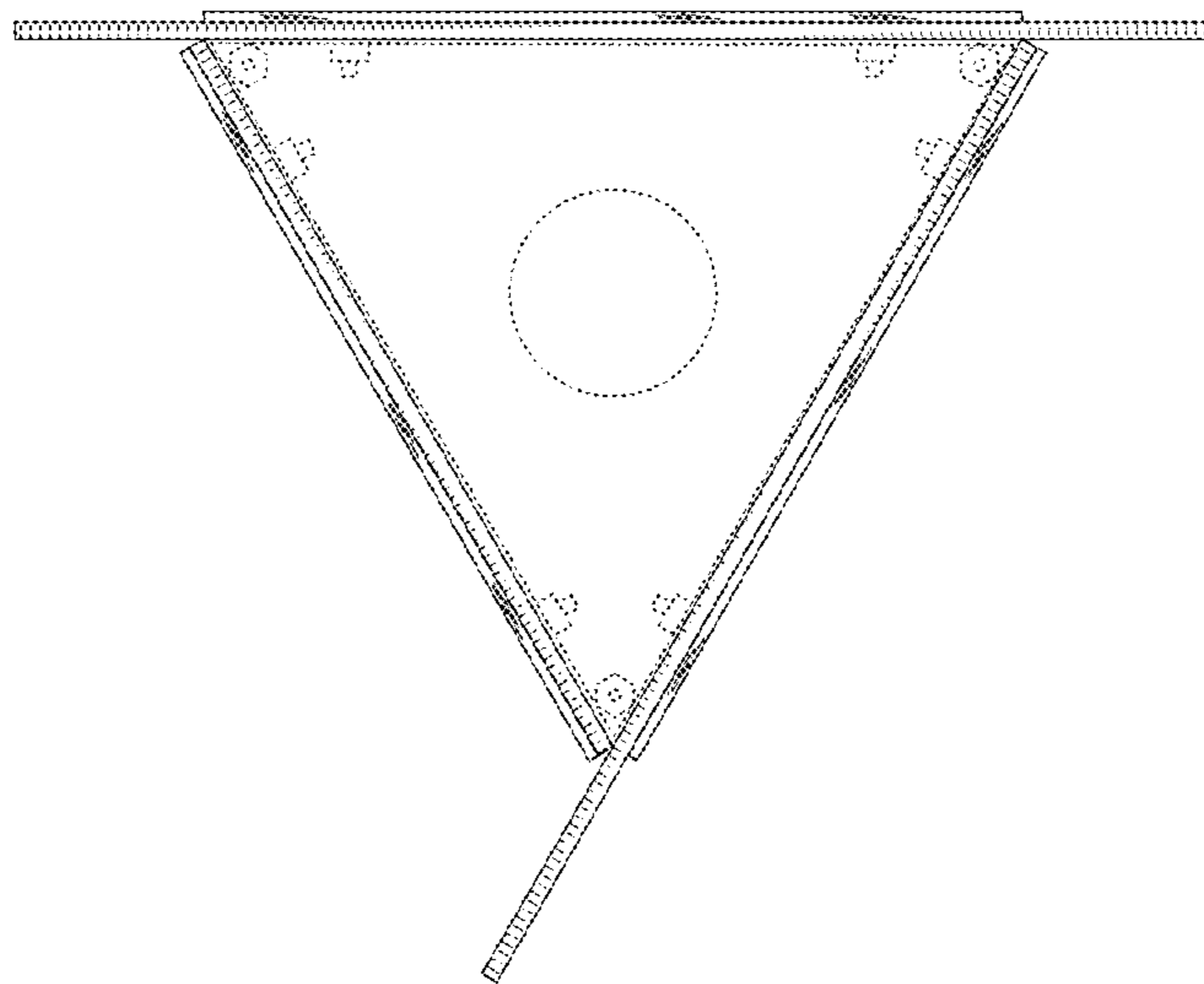


FIG. 6