



US00D810989S

(12) **United States Design Patent**
Dyson et al.

(10) **Patent No.:** **US D810,989 S**
(45) **Date of Patent:** **** Feb. 20, 2018**

(54) **LIGHTING FIXTURE**

(71) Applicant: **Dyson Technology Limited**, Wiltshire (GB)

(72) Inventors: **Jacob Dyson**, London (GB); **William John Darvill**, Bristol (GB); **Alexander James Morrison**, Buckingham (GB); **Michael Graham Love**, Bristol (GB); **Paul Dominic Whittaker**, Bristol (GB); **James Malcolm Stuart Bray**, Swindon (GB); **David James Hill**, Swindon (GB)

(73) Assignee: **Dyson Technology Limited**, Malmesbury, Wiltshire (GB)

(**) Term: **15 Years**

(21) Appl. No.: **29/576,314**

(22) Filed: **Sep. 1, 2016**

(30) **Foreign Application Priority Data**

Mar. 2, 2016 (EM) 003010412-0001

(51) **LOC (11) Cl.** **26-03**

(52) **U.S. Cl.**
USPC **D26/88; D26/90**

(58) **Field of Classification Search**
USPC D26/72, 80, 83, 85, 88, 89, 76, 90
CPC F21S 8/03; F21S 8/04; F21S 8/043; F21S 8/06; F21S 8/061; F21S 8/063; F21V 21/008; F21V 21/02; F21V 29/2212; F21V 29/767; F21V 29/77; F21V 29/777; F21V 29/78; F21V 7/0016; F21V 7/0025; F21V 7/0033

See application file for complete search history.

(56) **References Cited**

U.S. PATENT DOCUMENTS

1,350,809 A * 8/1920 Jerome F21S 13/00
362/307
2,411,952 A * 12/1946 Biller F21S 8/04
362/225

D186,129 S * 9/1959 Spaulding D26/76
D188,621 S * 8/1960 Stahlhut et al. D26/76
5,967,646 A * 10/1999 Engel F21S 8/06
362/296.03
D676,172 S * 2/2013 Podgorschek D26/89
D688,405 S * 8/2013 Kim D26/88
9,695,990 B2 * 7/2017 Gassner F21K 9/27
2003/0007348 A1 * 1/2003 Loga F21S 8/02
362/217.07
2009/0010003 A1 * 1/2009 Kirsten F21S 8/02
362/294
2009/0113813 A1 * 5/2009 Weber H02G 3/0493
52/28
2010/0118534 A1 * 5/2010 Lo F21S 8/088
362/249.02

(Continued)

OTHER PUBLICATIONS

Dyson CU Beam Duo brochure found at dyson.com visited Nov. 12, 2017. (2 pages). (Year: 2017).*

Primary Examiner — Clare E Heflin

(74) *Attorney, Agent, or Firm* — Morrison & Foerster LLP

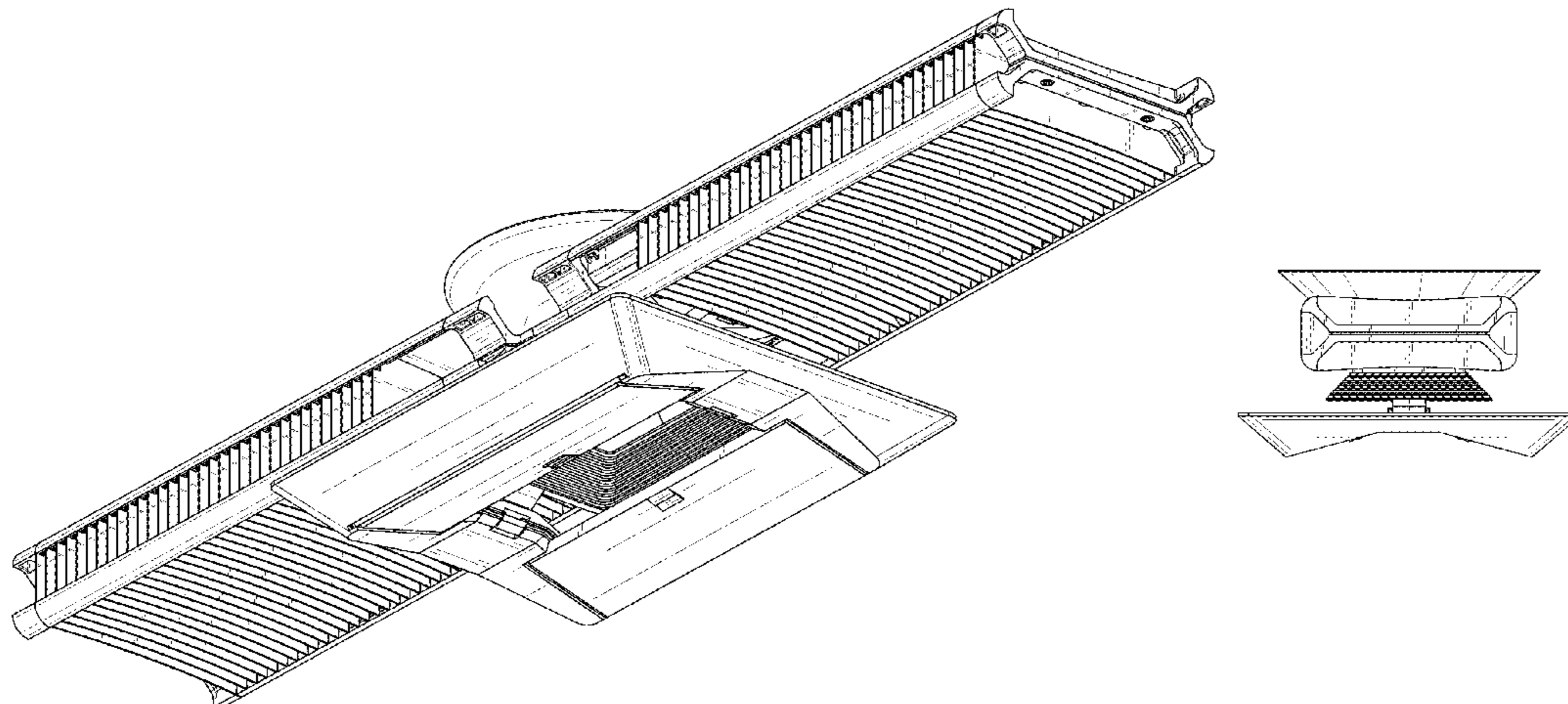
(57) **CLAIM**

We claim the ornamental design for a lighting fixture, as shown and described.

DESCRIPTION

FIG. 1 is a perspective view, from below, of a lighting fixture showing our new design;
FIG. 2 is a perspective view, from above, thereof;
FIG. 3 is a top view thereof;
FIG. 4 is a bottom view thereof;
FIG. 5 is a front side view thereof;
FIG. 6 is a rear side view thereof; and,
FIG. 7 is an end view thereof.

1 Claim, 7 Drawing Sheets



(56)

References Cited

U.S. PATENT DOCUMENTS

2011/0075409 A1* 3/2011 Zheng F21S 8/033
362/231
2013/0021792 A1* 1/2013 Snell F21S 8/06
362/218
2013/0176743 A1* 7/2013 Pfund F21V 21/00
362/368
2015/0016123 A1* 1/2015 Musser F21S 48/115
362/373
2015/0055353 A1* 2/2015 Hutchens F16M 13/02
362/370
2017/0023228 A1* 1/2017 Dyson F21S 8/06
2017/0159907 A1* 6/2017 Dyson F21V 7/0025
2017/0198881 A1* 7/2017 McCreary, Jr. F21V 7/0016
2017/0321865 A1* 11/2017 Parker F21V 7/0016

* cited by examiner

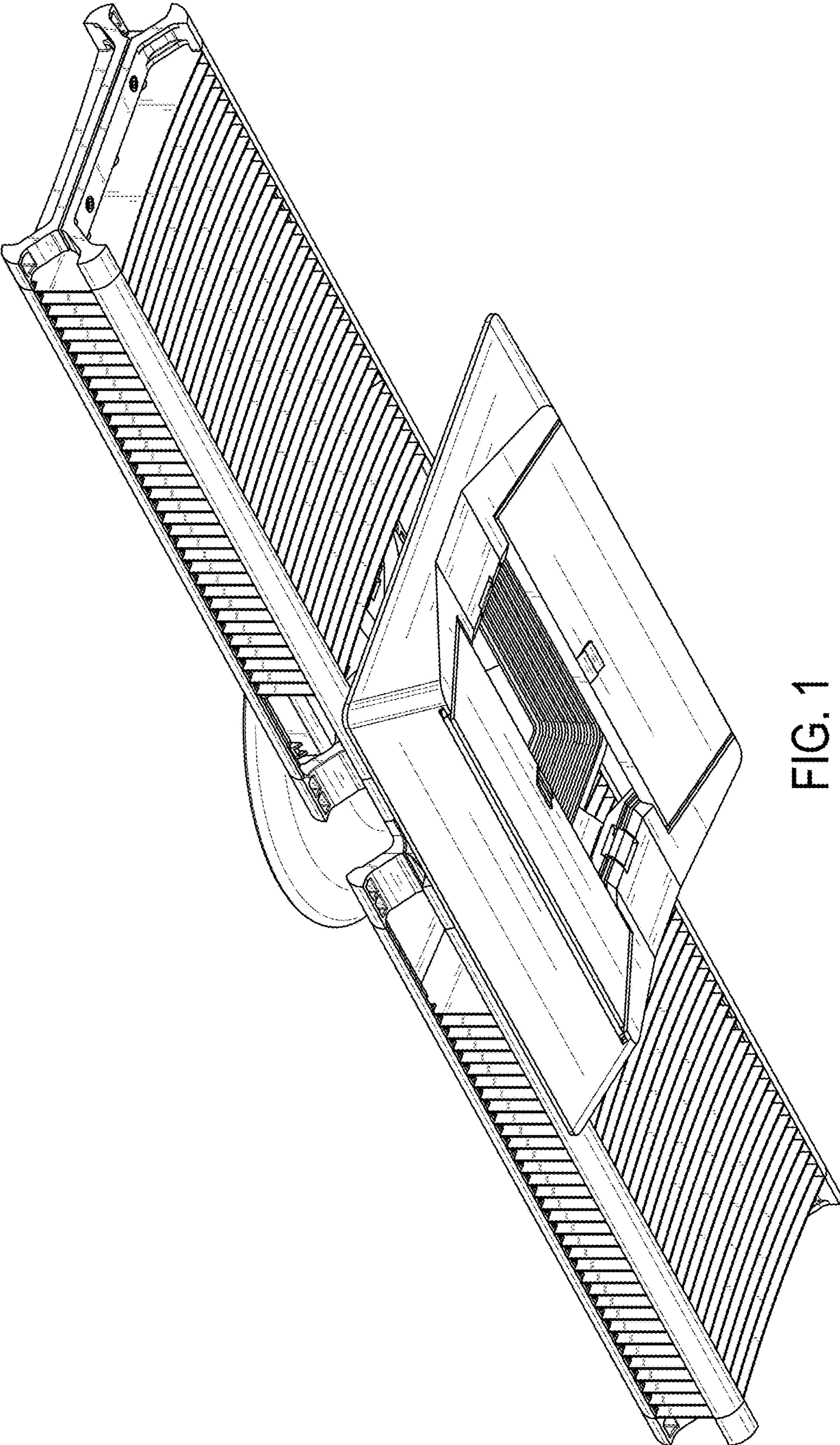


FIG. 1

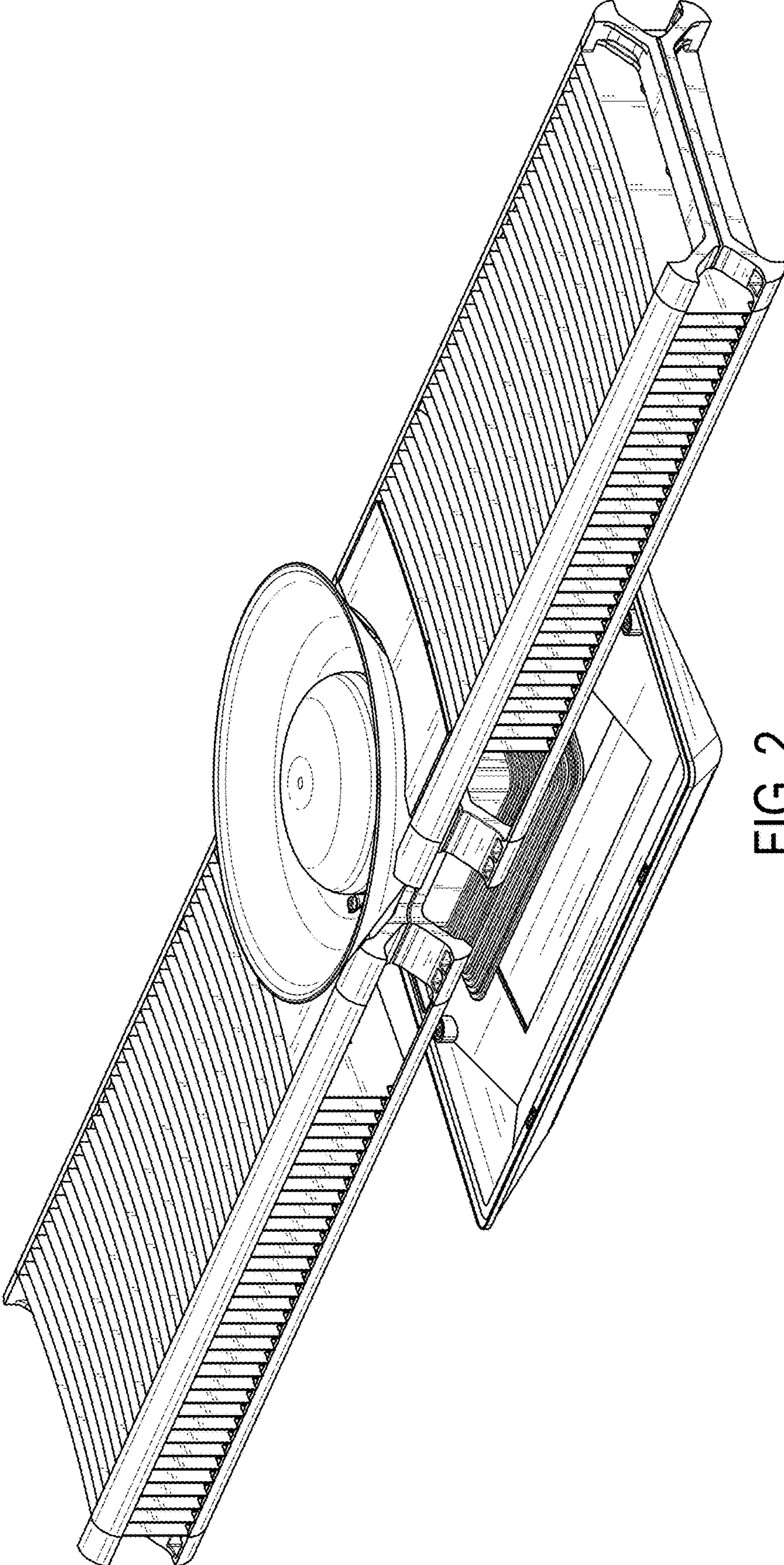


FIG. 2

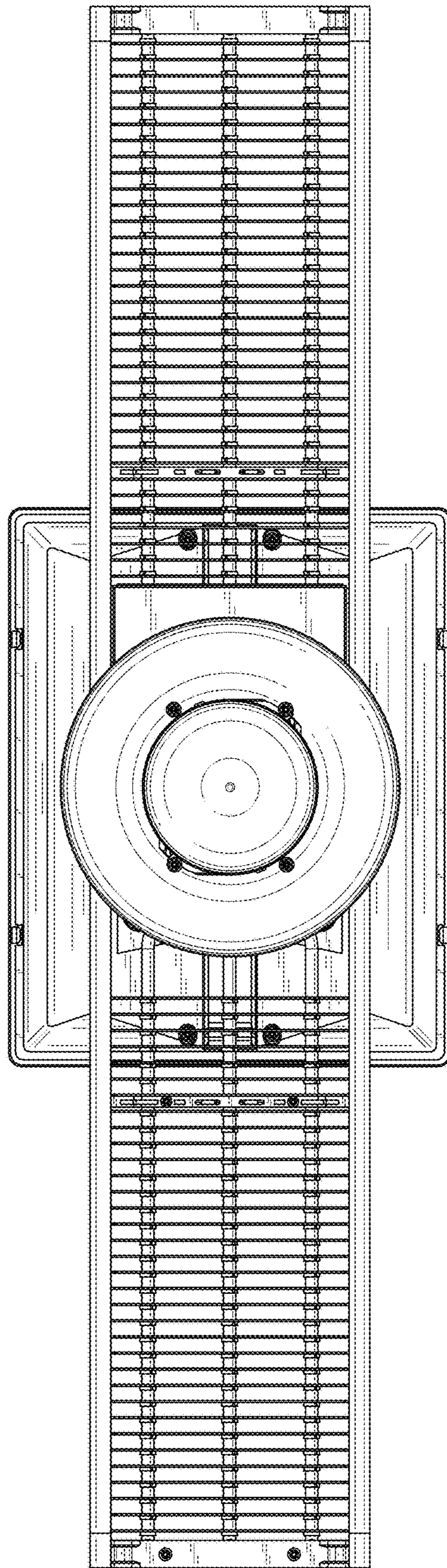


FIG. 3

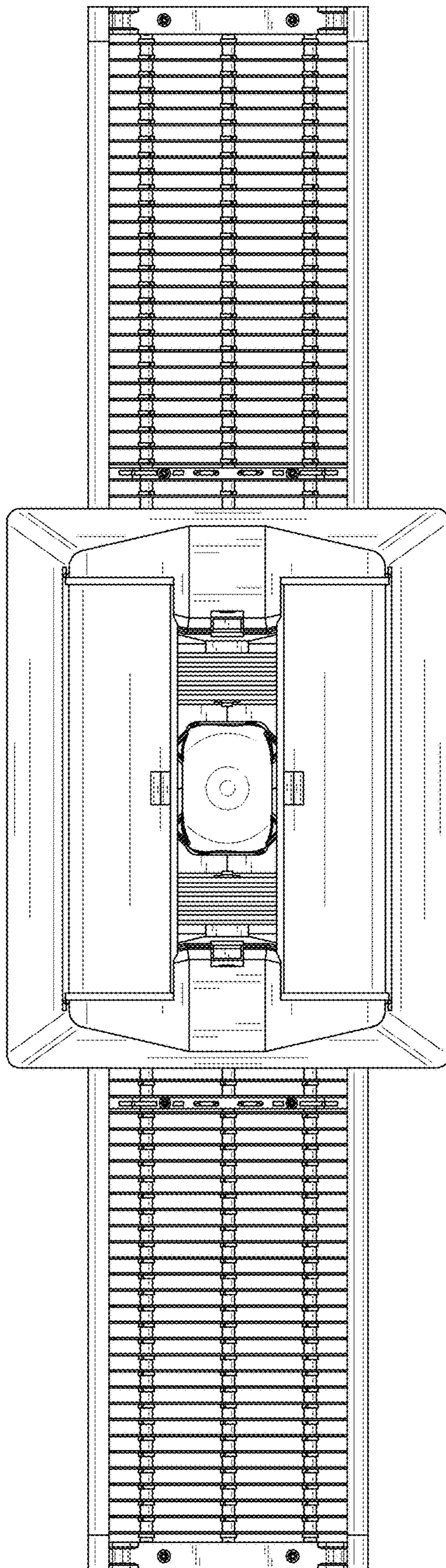


FIG. 4

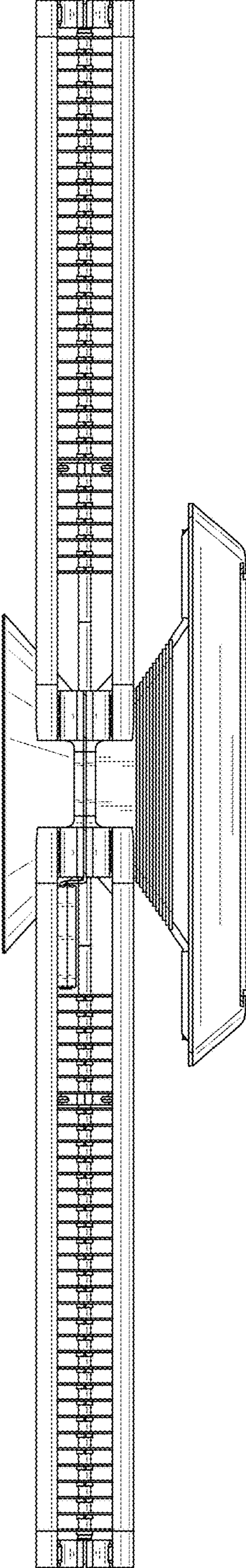


FIG. 5

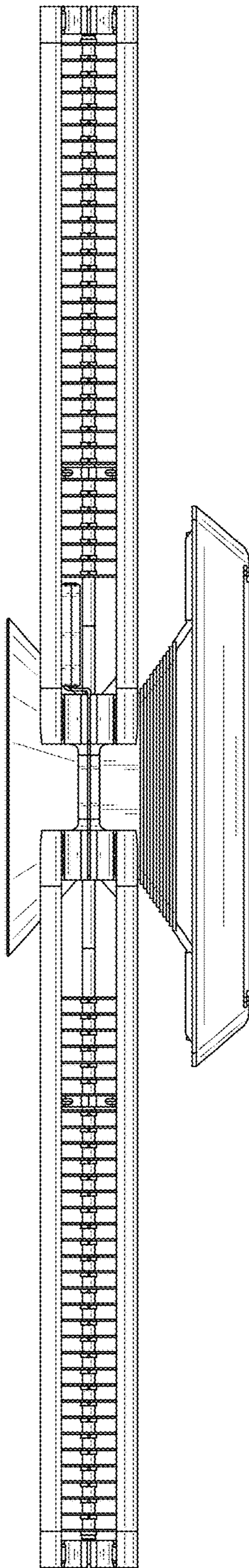


FIG. 6

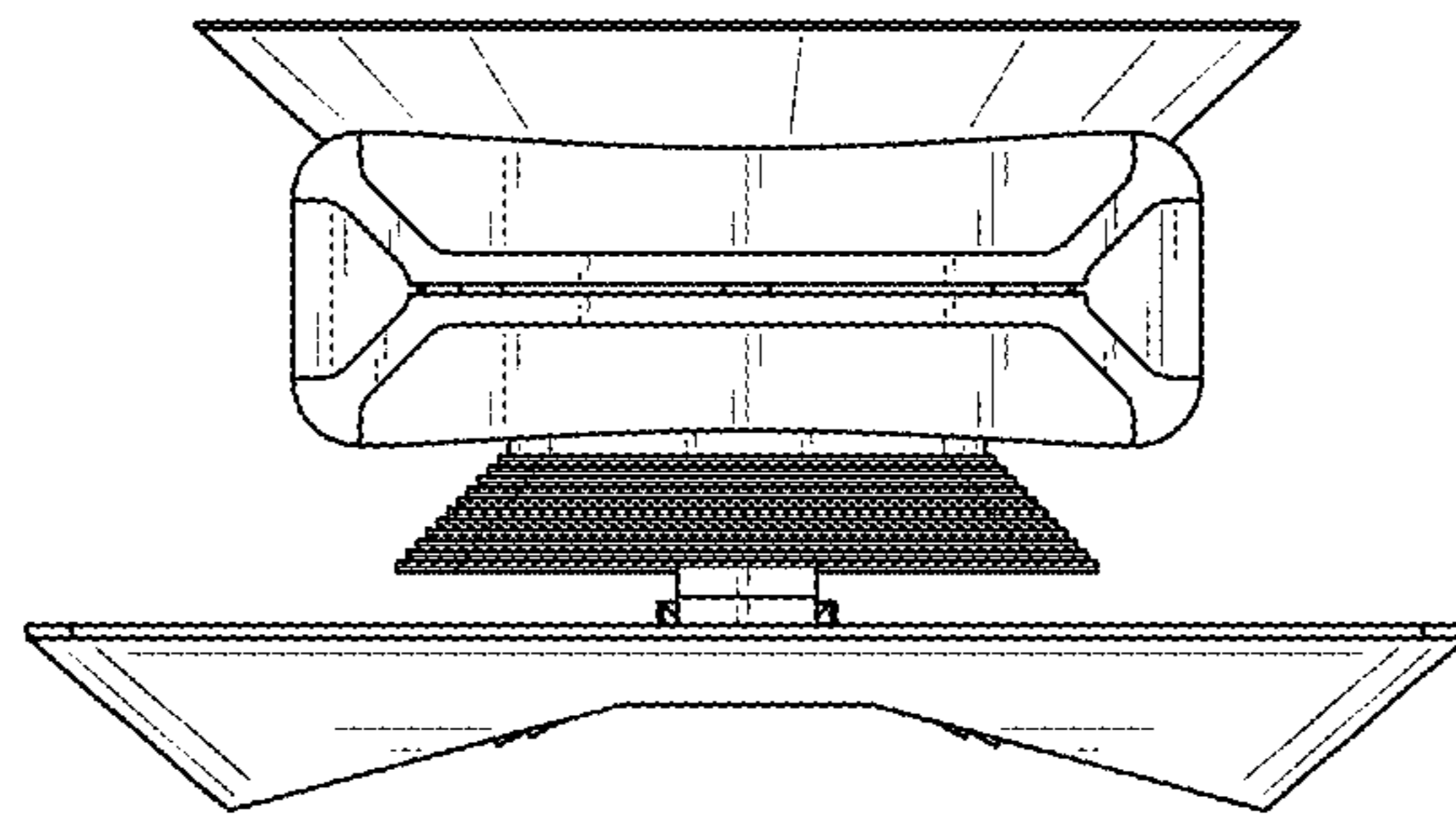


FIG. 7