



US00D810988S

(12) **United States Design Patent**  
**Pan**

(10) **Patent No.:** **US D810,988 S**

(45) **Date of Patent:** **\*\* Feb. 20, 2018**

(54) **DECORATIVE LIGHT**

(71) Applicant: **X. J. Electrics (Hubei) Co., Ltd.**,  
Huanggang, Hubei (CN)

(72) Inventor: **Yun Pan**, Hubei (CN)

(73) Assignee: **X.J. Electrics (Hubei) Co., Ltd.**, Hubei  
(CN)

(\*\*) Term: **15 Years**

(21) Appl. No.: **29/571,581**

(22) Filed: **Jul. 20, 2016**

(30) **Foreign Application Priority Data**

May 30, 2016 (CN) ..... 2016 3 0210769

(51) **LOC (11) Cl.** ..... **26-03**

(52) **U.S. Cl.**  
USPC ..... **D26/88**; D26/86

(58) **Field of Classification Search**  
USPC ..... D26/80, 81, 83, 84, 85, 86, 87, 88, 128,  
D26/129, 130, 134, 137, 143, 144, 153  
CPC .... F21S 8/043; F21S 8/046; F21S 8/06; F21S  
8/061; F21S 8/063; F21S 8/065; F21S  
8/066; F21S 8/068

See application file for complete search history.

(56) **References Cited**

**U.S. PATENT DOCUMENTS**

401,934 A \* 4/1889 D'Humy ..... F21V 17/00  
362/433  
462,477 A \* 11/1891 Duval et al. .... F21V 5/04  
362/326  
D40,387 S \* 12/1909 Noe ..... D26/137  
D40,449 S \* 1/1910 Noe, Jr. .... D26/137

D45,949 S \* 6/1914 Mygatt ..... D26/134  
2,513,565 A \* 7/1950 Johnson ..... A47G 33/0836  
362/332  
D213,501 S \* 3/1969 Moranduzzo ..... D26/130  
D226,532 S \* 3/1973 Ishii ..... D26/84  
D482,815 S \* 11/2003 Rugee ..... D26/84  
6,921,186 B1 \* 7/2005 Viskovich ..... F21S 8/04  
362/147  
D508,294 S \* 8/2005 Rugee ..... D26/138  
D536,479 S \* 2/2007 Rugee ..... D26/137  
D538,460 S \* 3/2007 Rugee ..... D26/84  
D574,545 S \* 8/2008 Baldele ..... D26/88  
D591,897 S \* 5/2009 Fuchs ..... D26/152  
D605,810 S \* 12/2009 Rugee ..... D26/84  
D622,437 S \* 8/2010 Crosby ..... D26/87  
D643,567 S \* 8/2011 Gutting ..... D26/88  
D660,510 S \* 5/2012 Bracher ..... D26/143  
D666,354 S \* 8/2012 Bracher ..... D26/143  
D683,886 S \* 6/2013 Kim ..... D26/88  
D713,084 S \* 9/2014 Clark ..... D26/81  
D760,938 S \* 7/2016 Dixon ..... D26/81

\* cited by examiner

*Primary Examiner* — Clare E Heflin

(74) *Attorney, Agent, or Firm* — Rankin, Hill & Clark  
LLP

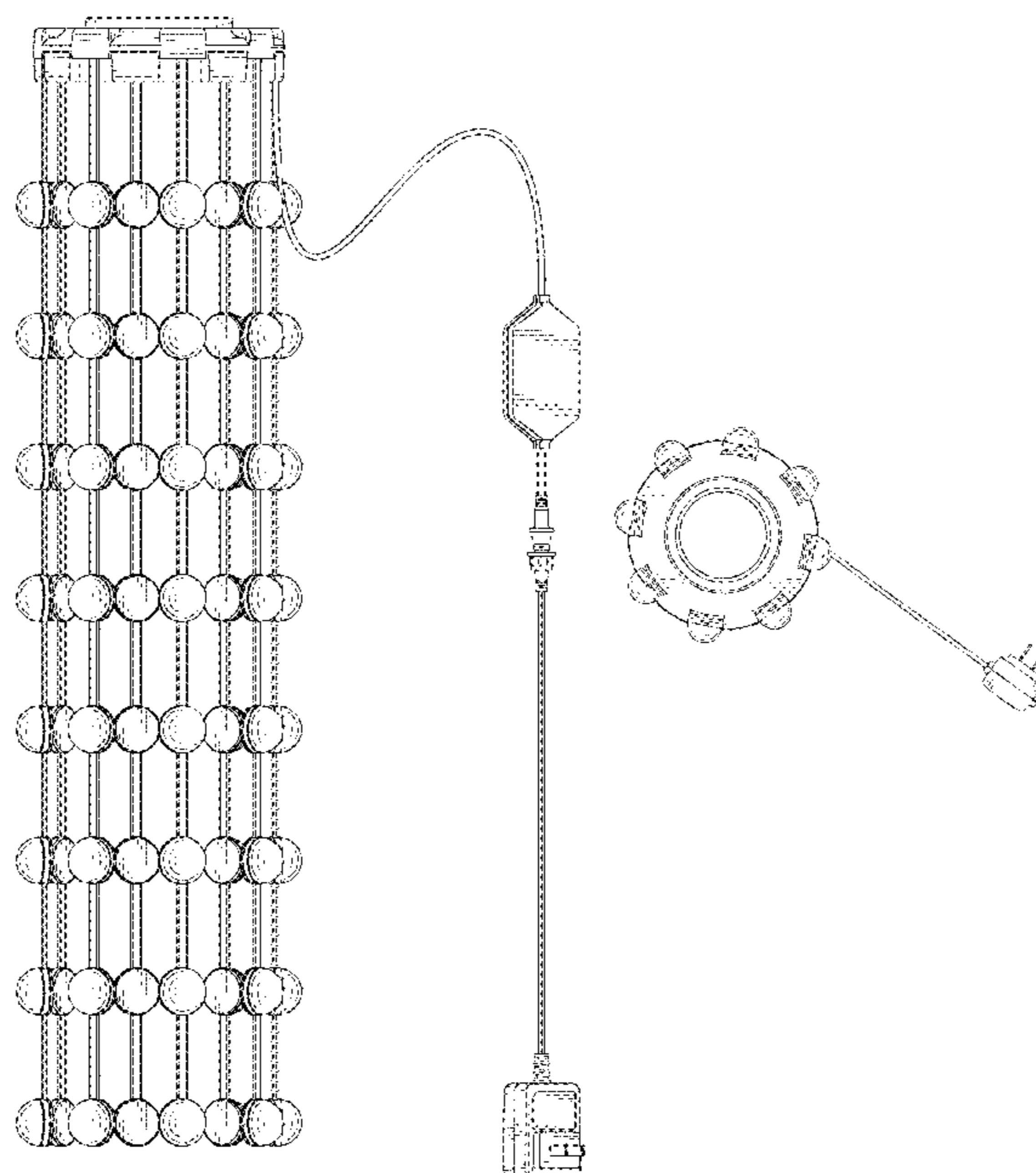
(57) **CLAIM**

The ornamental design for a decorative light, as shown and described.

**DESCRIPTION**

FIG. 1 is a front view of a decorative light;  
FIG. 2 is a rear view of the decorative light;  
FIG. 3 is a right side view of the decorative light;  
FIG. 4 is a left side view of the decorative light;  
FIG. 5 is a top view of the decorative light; and,  
FIG. 6 is a bottom view of the decorative light.

**1 Claim, 6 Drawing Sheets**



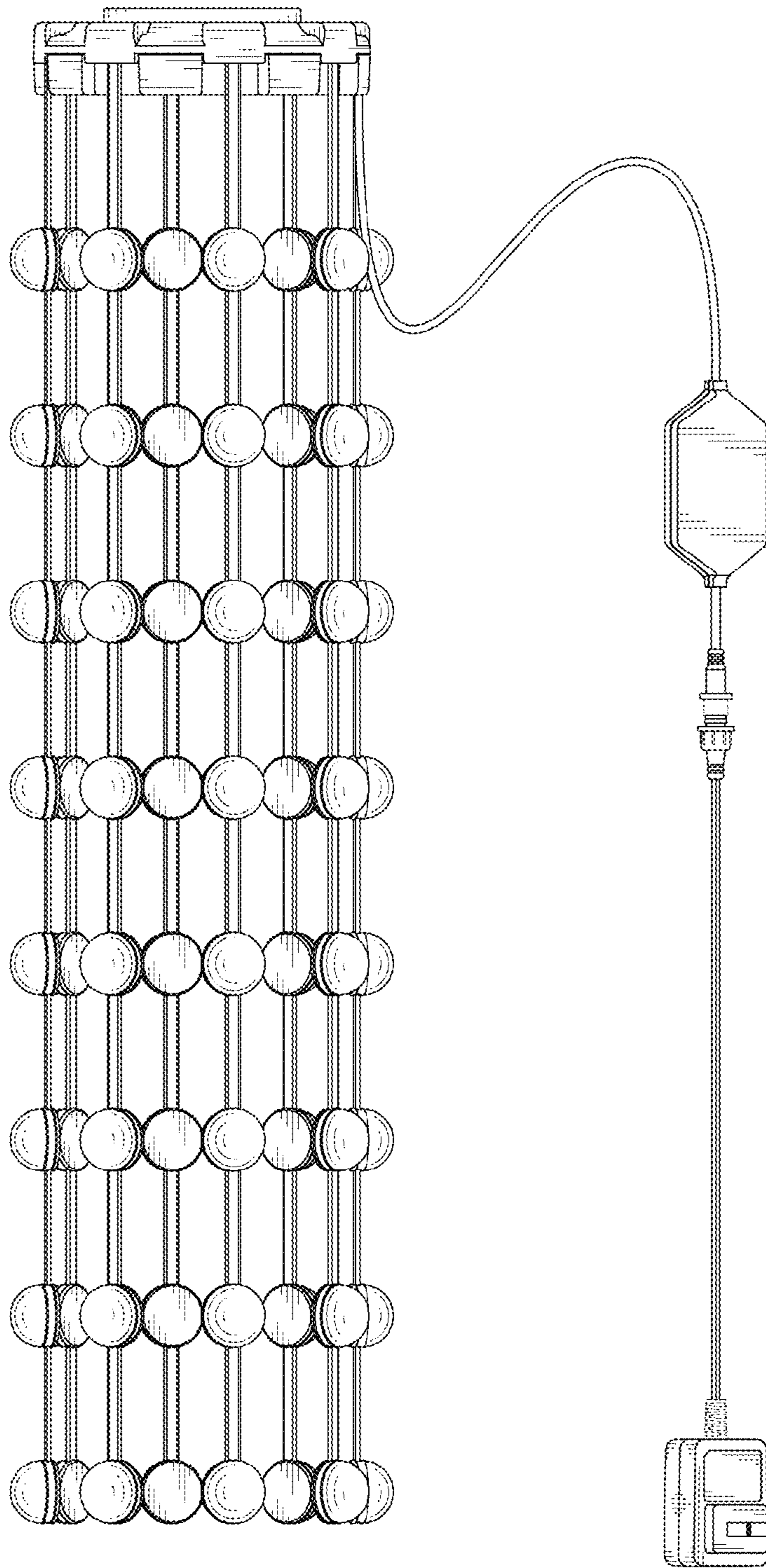


FIG.1

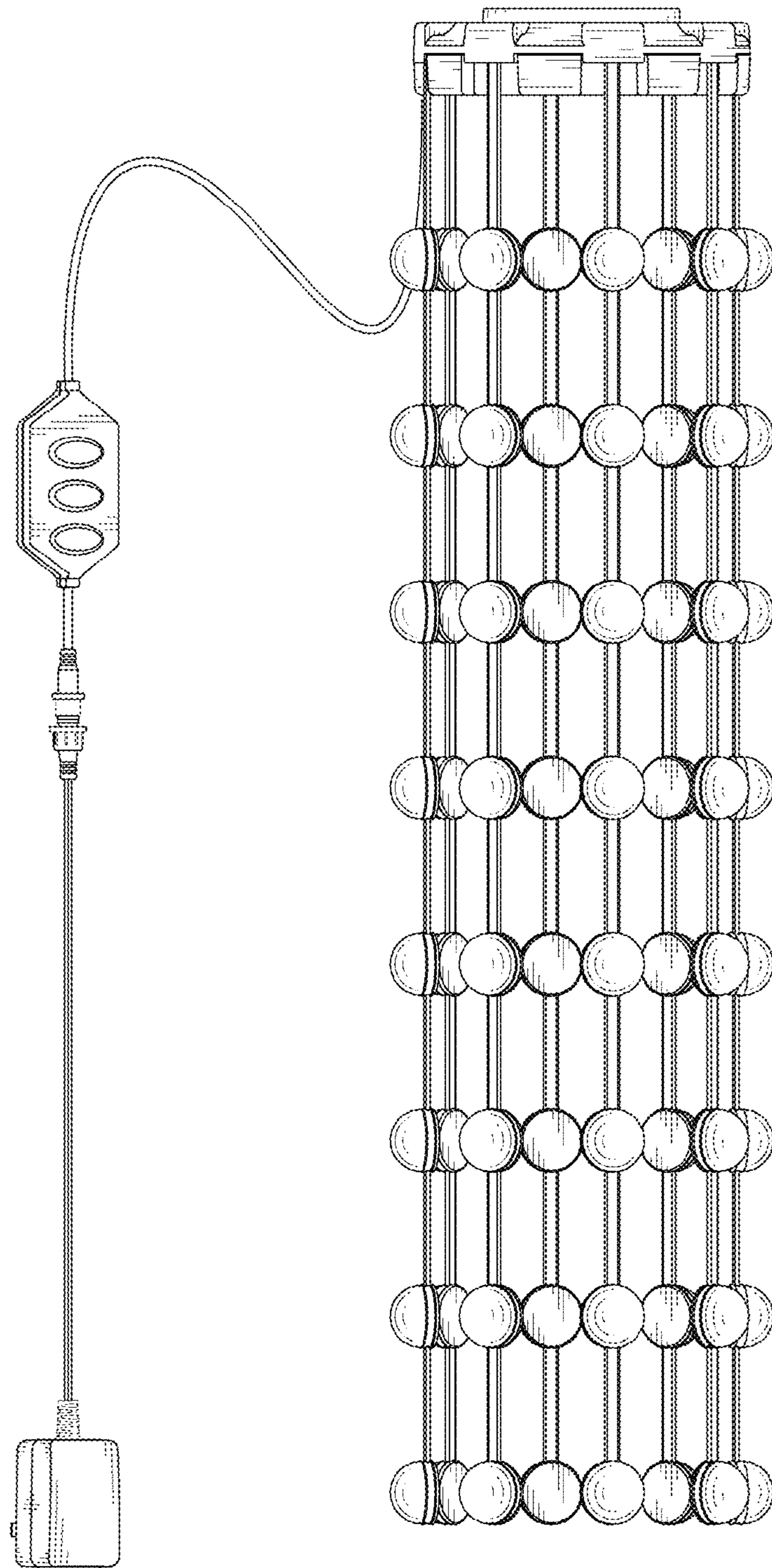


FIG.2

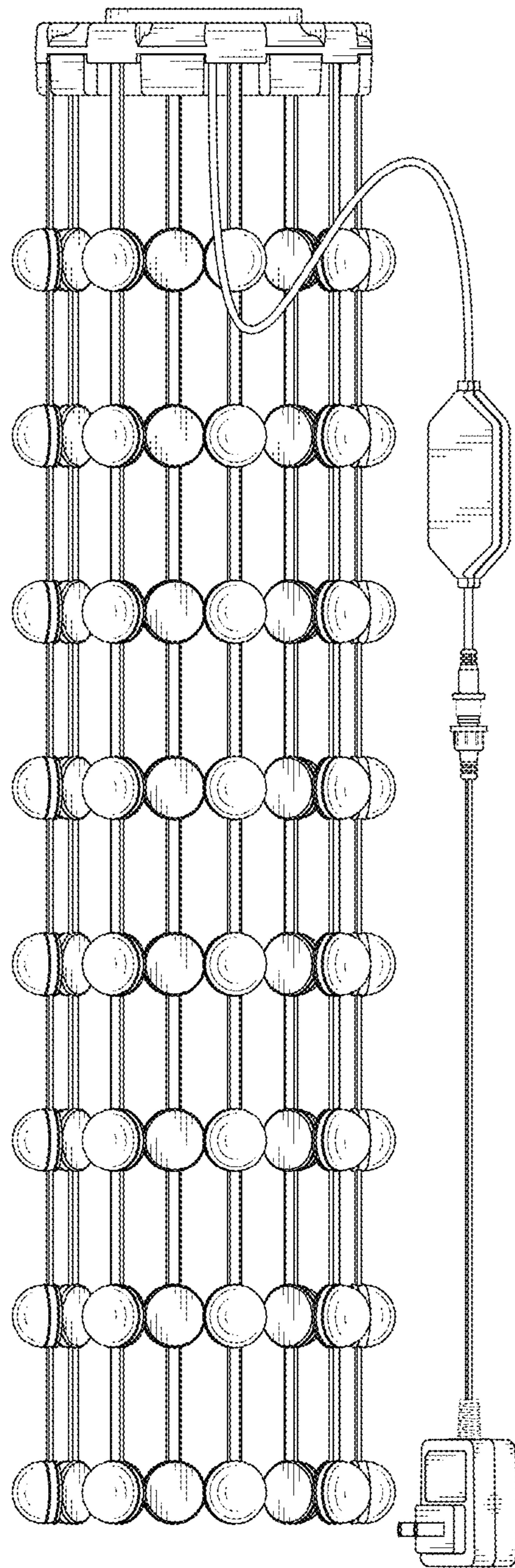


FIG.3

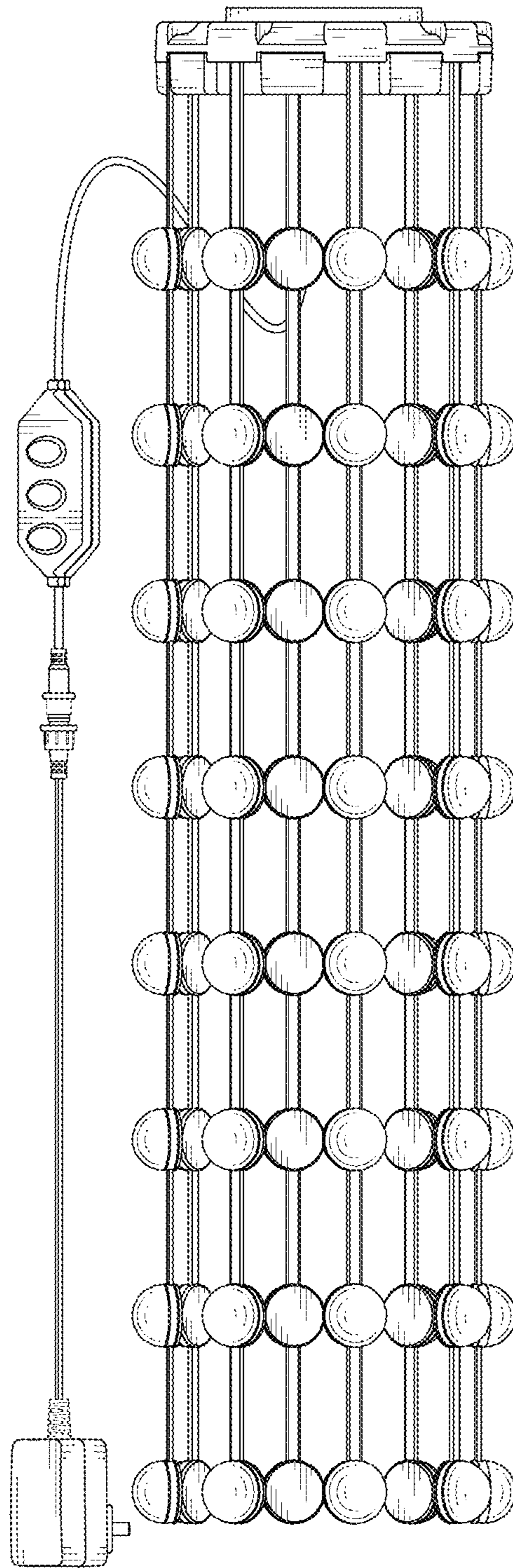


FIG.4

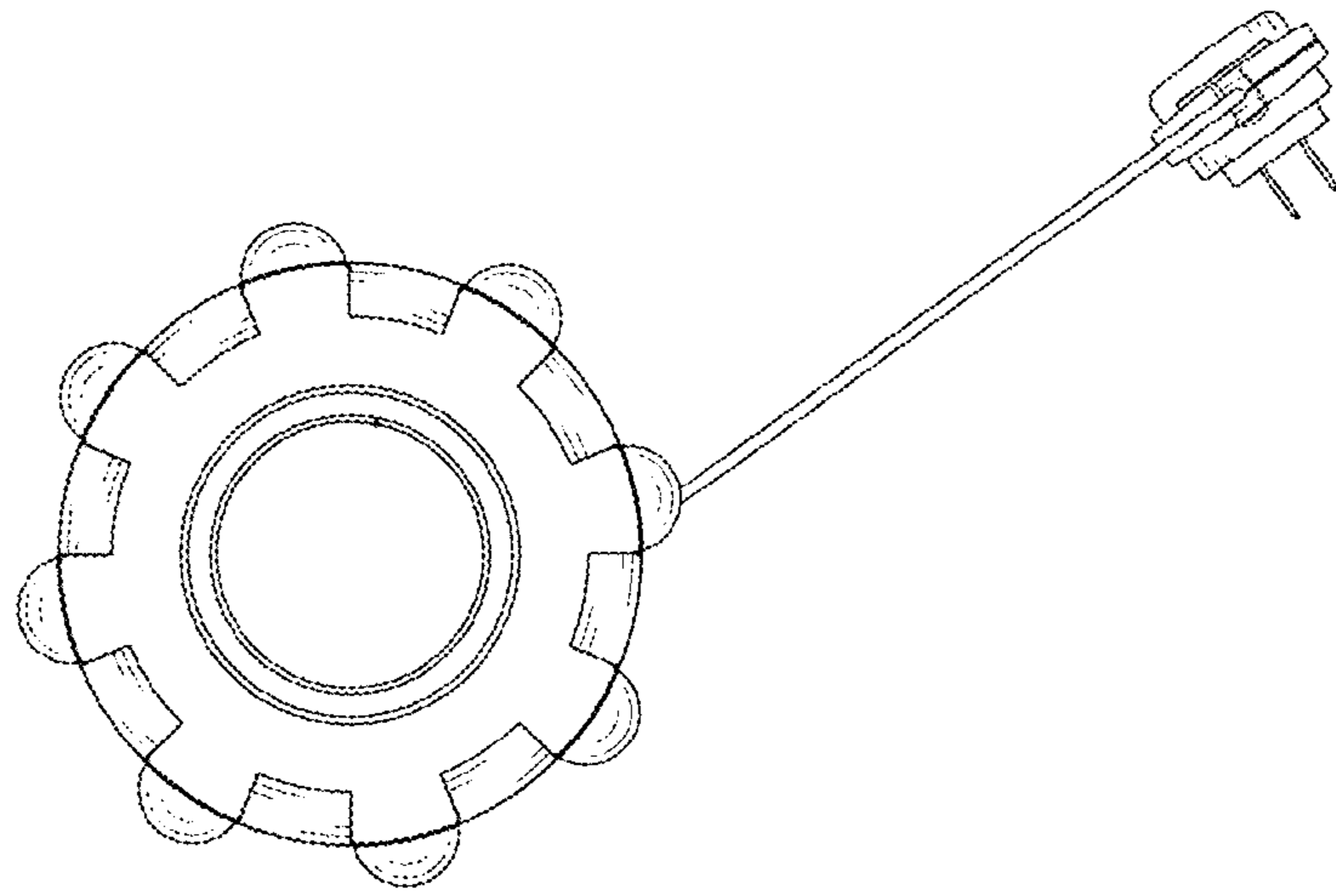


FIG.5

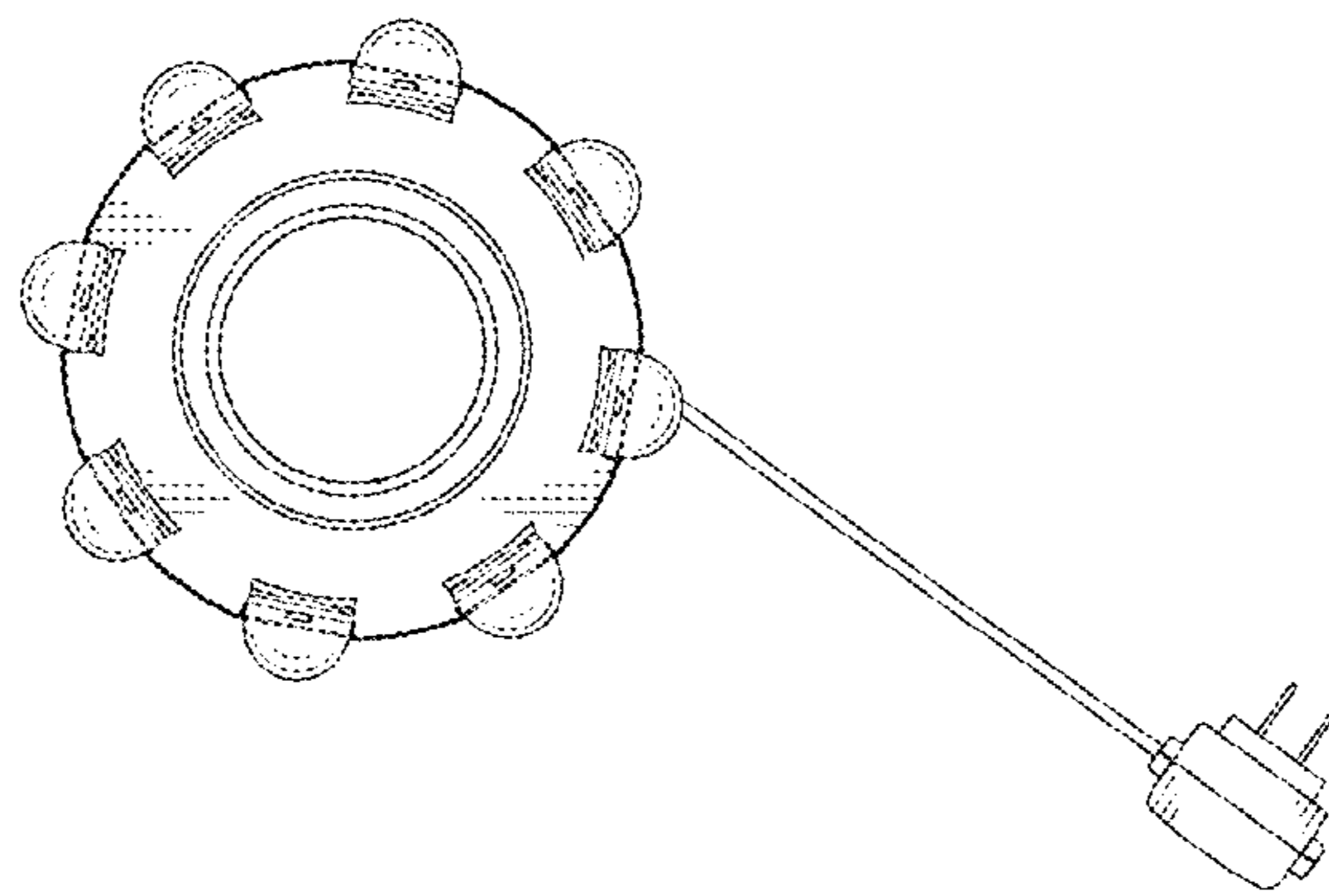


FIG.6