



US00D810987S

(12) **United States Design Patent**
Pan

(10) **Patent No.:** **US D810,987 S**

(45) **Date of Patent:** **** Feb. 20, 2018**

(54) **DECORATIVE LIGHT**

(71) Applicant: **X. J. Electrics (Hubei) Co., Ltd.**,
Huanggang, Hubei (CN)

(72) Inventor: **Yun Pan**, Hubei (CN)

(73) Assignee: **X.J. Electrics (Hubei) Co., Ltd.**,
Huanggang (CN)

(**) Term: **15 Years**

(21) Appl. No.: **29/571,365**

(22) Filed: **Jul. 18, 2016**

(30) **Foreign Application Priority Data**

May 30, 2016 (CN) 2016 3 0210774

(51) **LOC (11) Cl.** **26-03**

(52) **U.S. Cl.**
USPC **D26/88**; D26/86

(58) **Field of Classification Search**
USPC D26/80, 81, 83, 84, 85, 86, 87, 88, 128,
D26/129, 130, 134, 137, 143, 144, 153
CPC F21S 8/043; F21S 8/046; F21S 8/06; F21S
8/061; F21S 8/063; F21S 8/065; F21S
8/066; F21S 8/068
See application file for complete search history.

(56) **References Cited**

U.S. PATENT DOCUMENTS

401,934 A * 4/1889 D'Humy F21V 17/00
362/433
462,477 A * 11/1891 Duval et al. F21V 5/04
362/326
D40,387 S * 12/1909 Noe D26/137
D40,449 S * 1/1910 Noe, Jr. D26/137

D45,949 S * 6/1914 Mygatt D26/134
2,513,565 A * 7/1950 Johnson A47G 33/0836
362/332
D213,501 S * 3/1969 Moranduzzo D26/130
D226,532 S * 3/1973 Ishii D26/84
D482,815 S * 11/2003 Rugee D26/84
6,921,186 B1 * 7/2005 Viskovich F21S 8/04
362/147
D508,294 S * 8/2005 Rugee D26/138
D536,479 S * 2/2007 Rugee D26/137
D538,460 S * 3/2007 Rugee D26/84
D574,545 S * 8/2008 Baldele D26/88
D591,897 S * 5/2009 Fuchs D26/152
D605,810 S * 12/2009 Rugee D26/84
D622,437 S * 8/2010 Crosby D26/87
D643,567 S * 8/2011 Gutting D26/88
D660,510 S * 5/2012 Bracher D26/143
D666,354 S * 8/2012 Bracher D26/143
D683,886 S * 6/2013 Kim D26/88
D713,084 S * 9/2014 Clark D26/81
D760,938 S * 7/2016 Dixon D26/81

* cited by examiner

Primary Examiner — Clare E Heflin

(74) *Attorney, Agent, or Firm* — Rankin, Hill & Clark
LLP

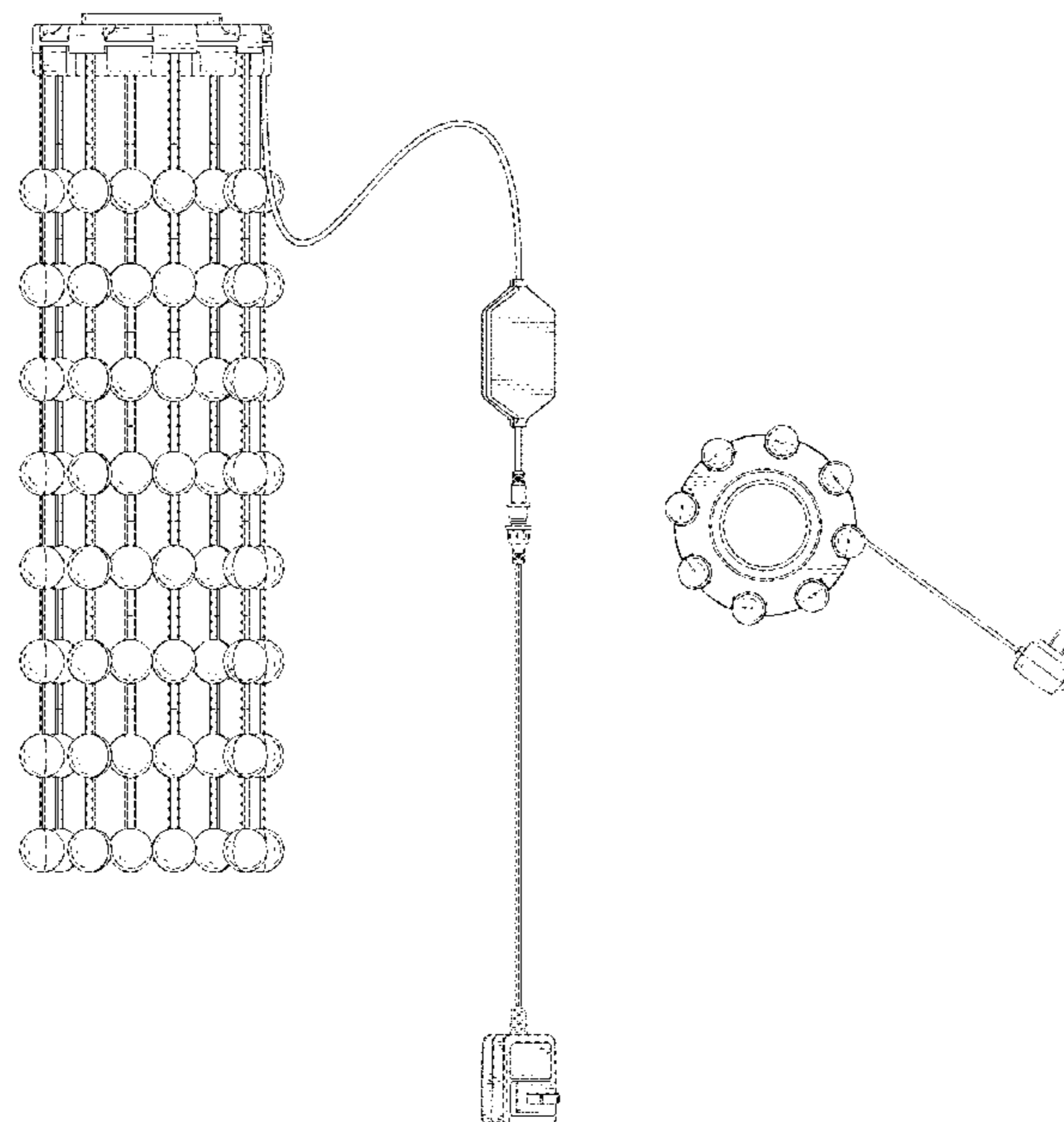
(57) **CLAIM**

The ornamental design for a decorative light, as shown and described.

DESCRIPTION

FIG. 1 is a front view of a decorative light;
FIG. 2 is a rear view of the decorative light;
FIG. 3 is a right side view of the decorative light;
FIG. 4 is a left side view of the decorative light;
FIG. 5 is a top view of the decorative light; and,
FIG. 6 is a bottom view of the decorative light.

1 Claim, 6 Drawing Sheets



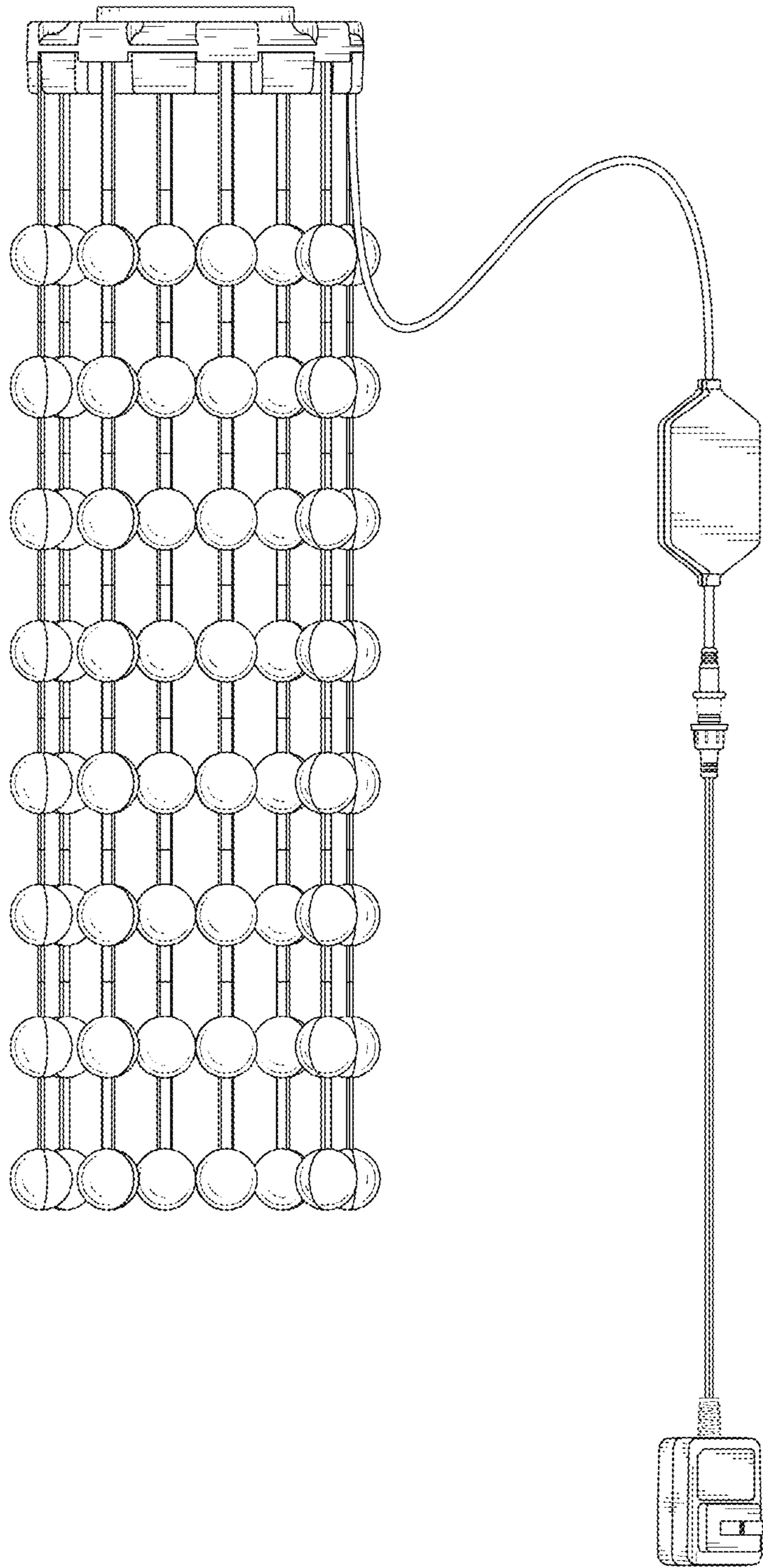


FIG.1

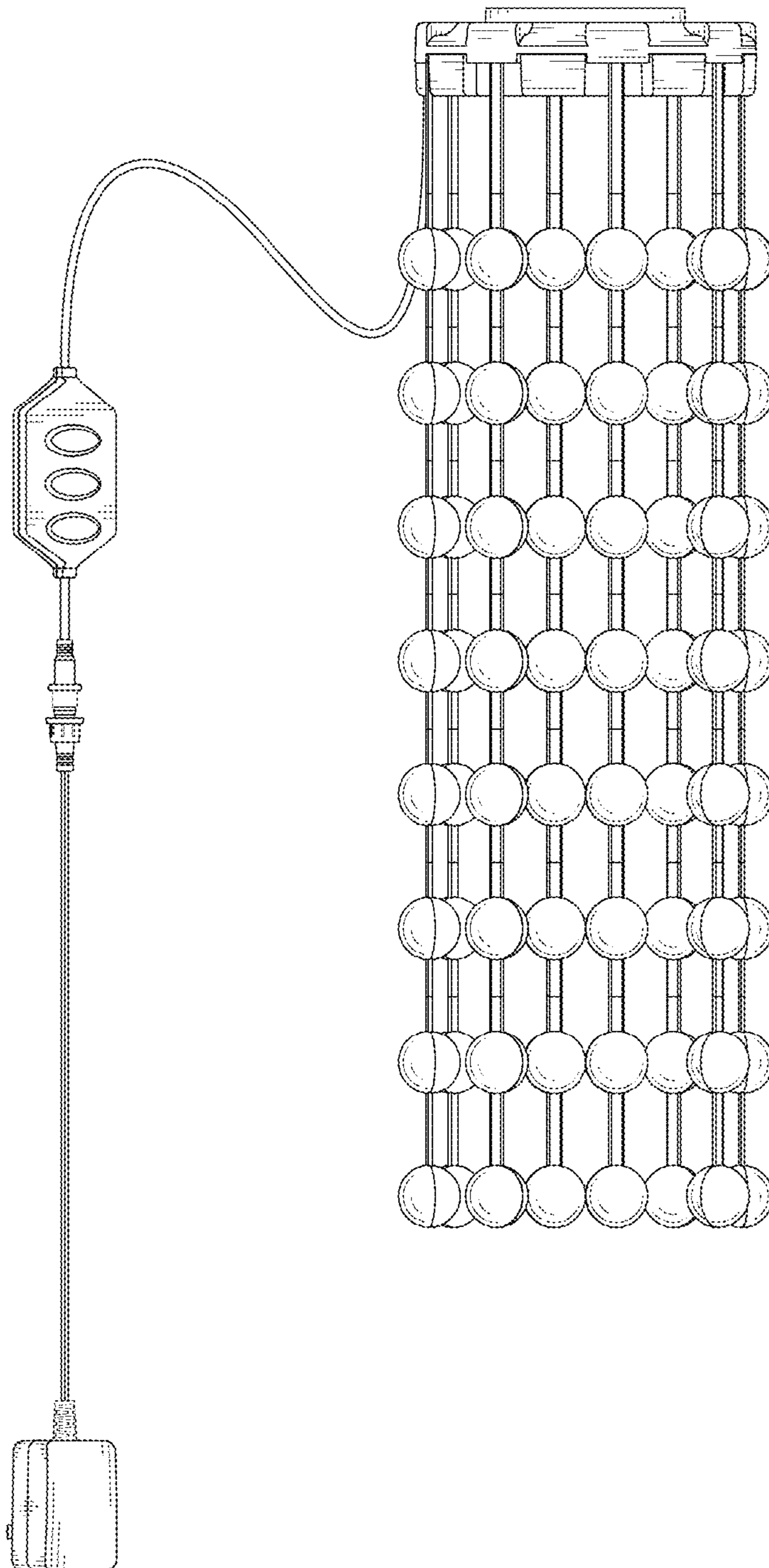


FIG.2

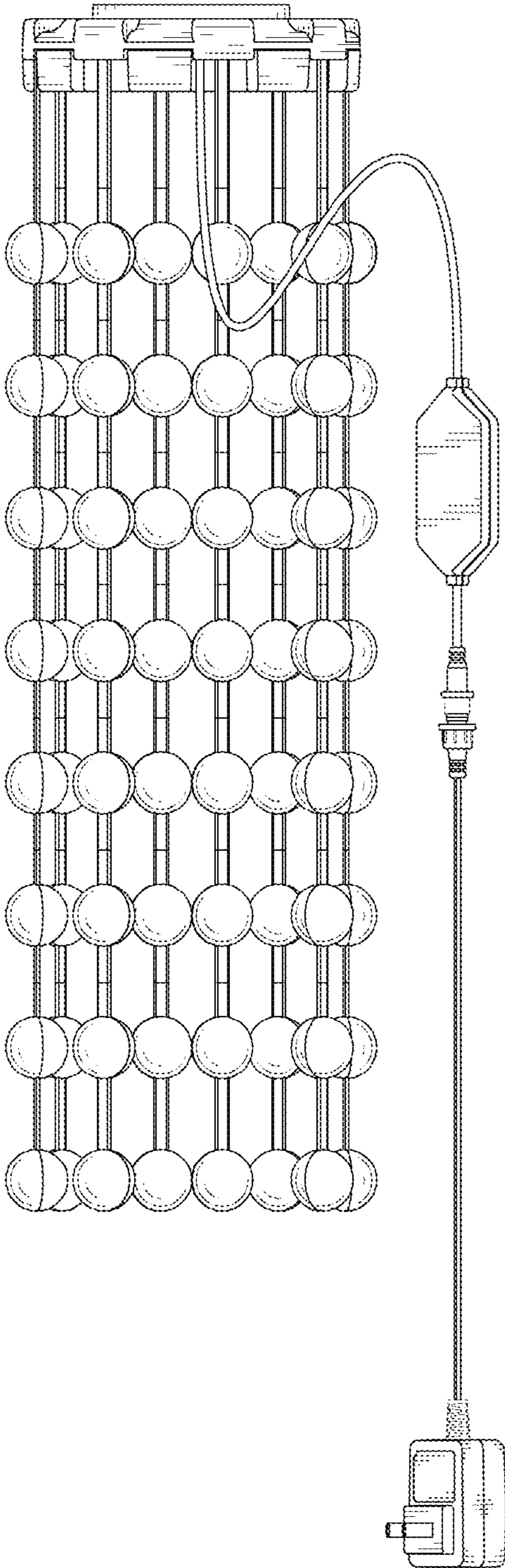


FIG.3

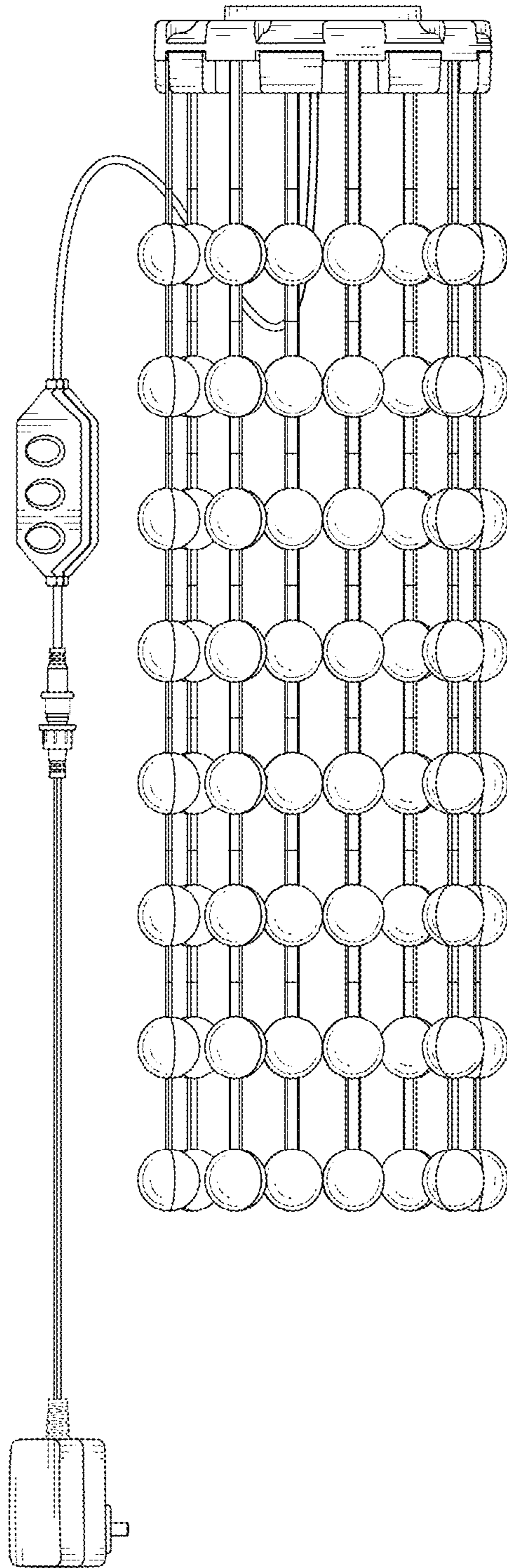


FIG.4

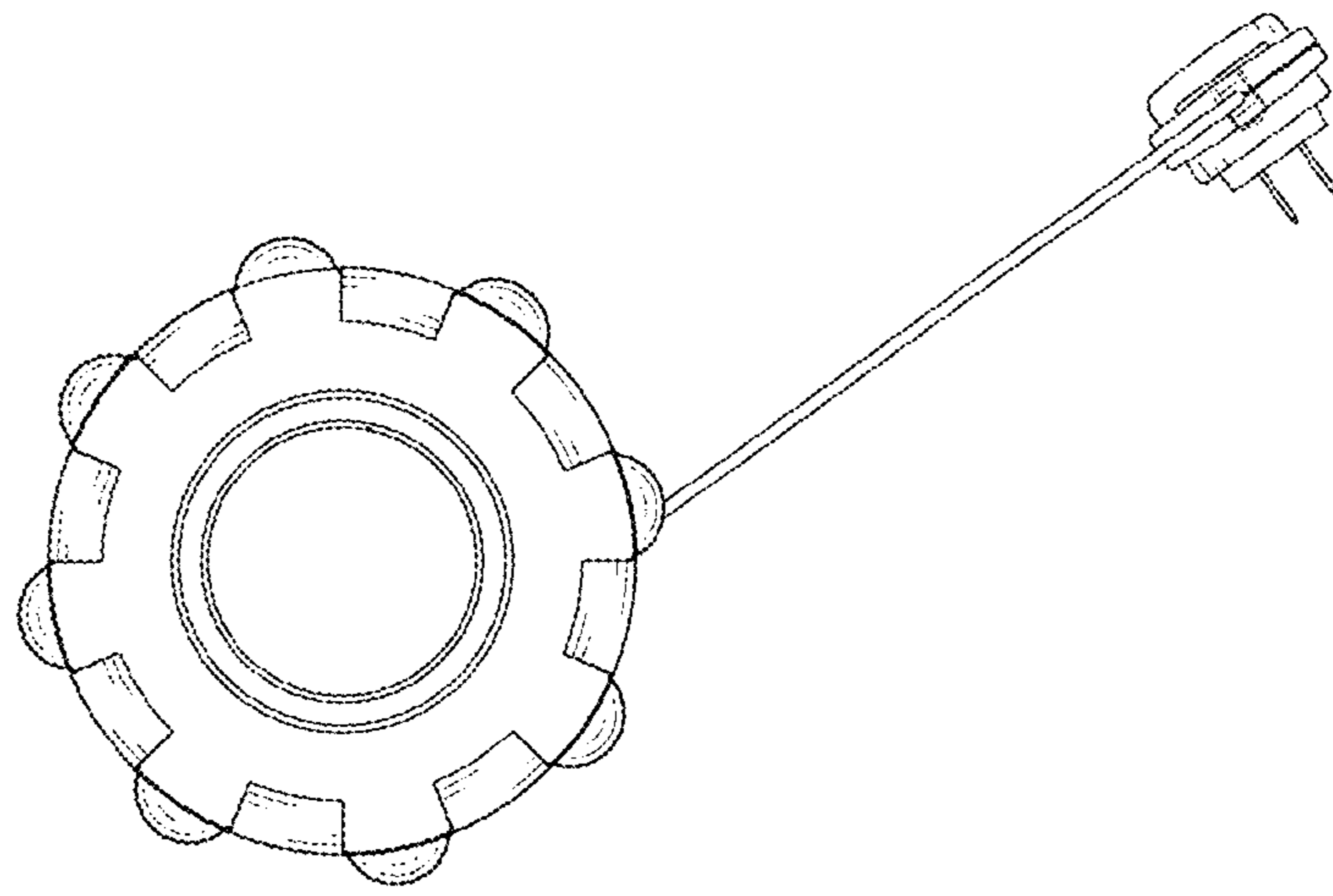


FIG.5

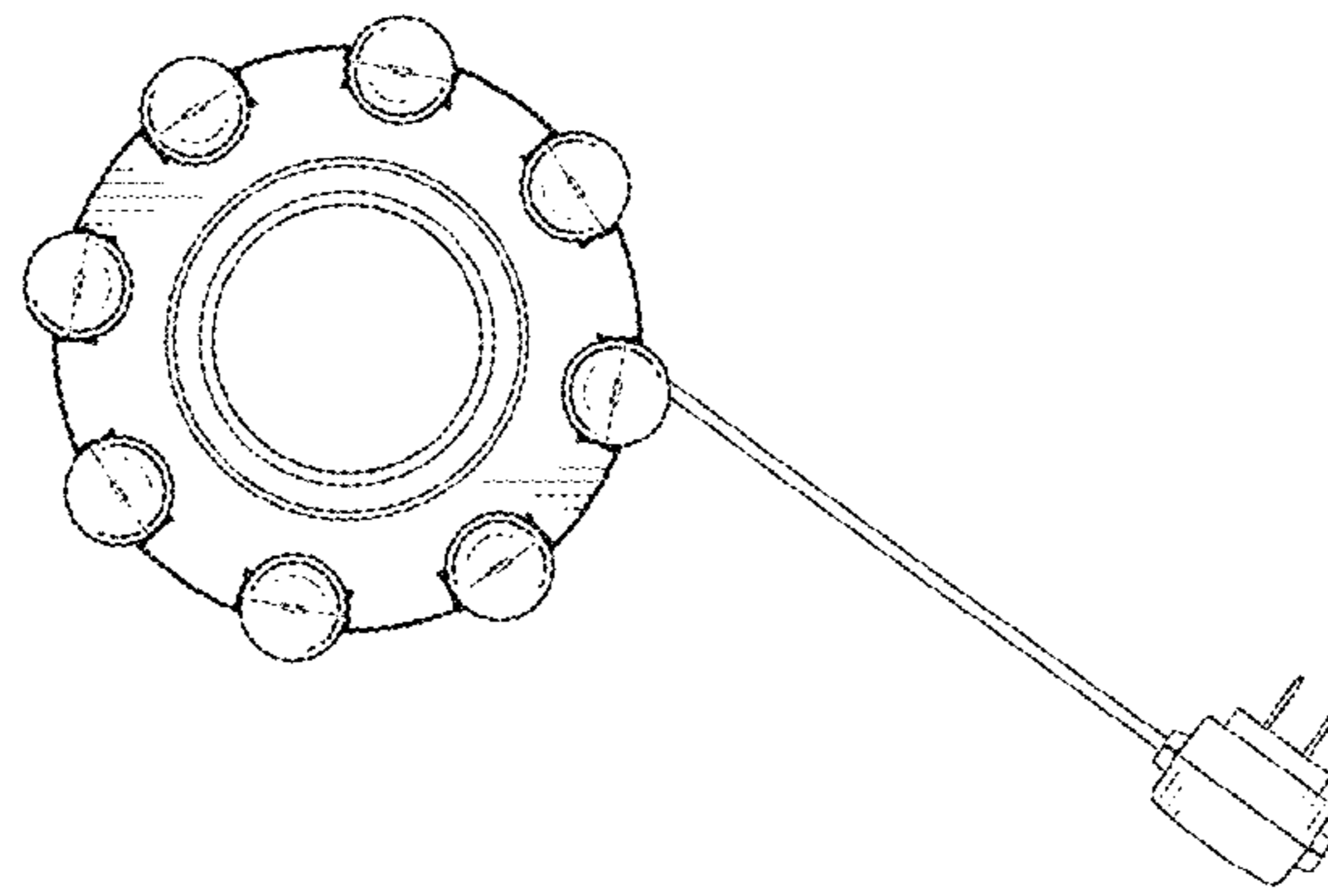


FIG.6