



US00D810986S

(12) **United States Design Patent**
Shilong

(10) **Patent No.:** **US D810,986 S**

(45) **Date of Patent:** **** Feb. 20, 2018**

(54) **LIGHTING FIXTURE**

(71) Applicant: **The L.D. Kichler Co.**, Cleveland, OH
(US)

(72) Inventor: **Yuan Shilong**, Guangdong Province
(CN)

(73) Assignee: **The L. D. Kichler Co.**, Cleveland, OH
(US)

(**) Term: **15 Years**

(21) Appl. No.: **29/588,584**

(22) Filed: **Dec. 21, 2016**

Related U.S. Application Data

(63) Continuation of application No. 29/474,949, filed on
Mar. 27, 2015, now abandoned, which is a
(Continued)

(51) **LOC (11) Cl.** **26-03**

(52) **U.S. Cl.**
USPC **D26/87; D26/85**

(58) **Field of Classification Search**
USPC D26/67, 68, 72, 85, 86, 87, 92, 118, 128,
D26/137

(Continued)

(56) **References Cited**

U.S. PATENT DOCUMENTS

D64,674 S * 5/1924 Mandalian D26/137
D73,625 S * 10/1927 Stone D26/137

(Continued)

OTHER PUBLICATIONS

3Form LightArt 2010 Catalog/ ECO, BOX and Half Round sconces/
Layered sconce/Cylinder pendant/Blossom pendant/6 pages,
includes front and rear of catalog.*

(Continued)

Primary Examiner — Clare E Heflin

(74) *Attorney, Agent, or Firm* — Calfee, Halter &
Griswold, LLP

(57) **CLAIM**

I claim the ornamental design for a lighting fixture, as shown
and described.

DESCRIPTION

FIG. 1 is a front perspective view of the lighting fixture
showing a first embodiment of the new design. Excluding
the surface ornamentation, this fixture has mirror image
symmetry about a vertical imaginary plane. The shade has a
circular horizontal cross-section;

FIG. 2 is a left side elevation view of the lighting fixture of
FIG. 1;

FIG. 3 is a top plan view of the lighting fixture of FIG. 1;
FIG. 4 is a front perspective view of the lighting fixture
showing a second embodiment of the new design. Excluding
the surface ornamentation, this fixture has mirror image
symmetry about a vertical imaginary plane. The shades each
have a circular horizontal cross-section;

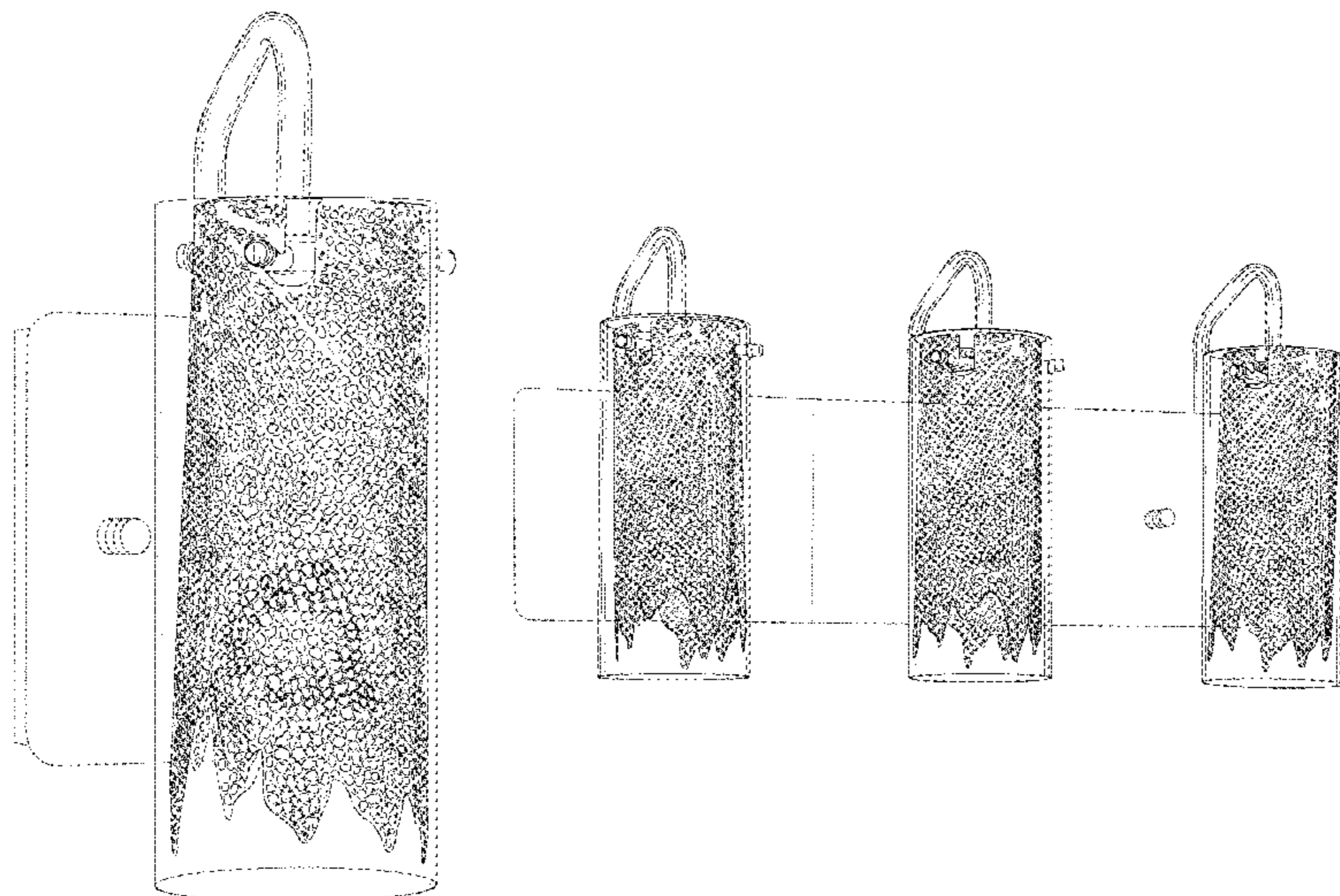
FIG. 5 is a left side elevation view of the lighting fixture of
FIG. 4;

FIG. 6 is a top plan view of the lighting fixture of FIG. 4;
FIG. 7 is a front perspective view of the lighting fixture
showing a third embodiment of the new design. excluding
the surface ornamentation, the fixture has mirror image
symmetry about a vertical imaginary plane. The shades each
have a circular horizontal cross-section;

FIG. 8 is a left side elevation view of the lighting fixture of
FIG. 7; and,

FIG. 9 is a top plan view of the lighting fixture of FIG. 7.
The broken lines shown in the drawings depict portions of
the lighting fixture that form no part of the claimed design.

1 Claim, 9 Drawing Sheets



US D810,986 S

Page 2

Related U.S. Application Data

continuation of application No. 29/442,532, filed on Mar. 15, 2013, now Pat. No. Des. 728,145.

(58) Field of Classification Search

CPC ... F21S 8/03; F21S 8/033; F21S 8/036; F21V 21/06; F21V 8/14; F21V 8/26; F21V 8/30

See application file for complete search history.

(56) References Cited

U.S. PATENT DOCUMENTS

D73,631 S * 10/1927 Wolter D26/24
D89,994 S * 5/1933 O'Neil D26/128
D120,026 S * 4/1940 Vogel D26/105
D151,976 S * 12/1948 Gessler D26/137
4,009,309 A * 2/1977 Holt B44F 1/063
362/361
D403,095 S * 12/1998 Ewing D26/67

D620,183 S * 7/2010 Sabernig D26/128
D634,050 S * 3/2011 Sabernig D26/87
D655,440 S * 3/2012 Sabernig D26/137
D683,494 S * 5/2013 Verdin D26/137
D719,290 S * 12/2014 Fritz D26/87

OTHER PUBLICATIONS

ET2 Lighting 2007 Catalog/ POPS sconces on p. 99 and Pendant models E20219-01 and E20219-05 on p. 210/ 3 pages, includes rear cover of catalog.*

Eurofase Lighting's Primaluce Venezia Apr. 2008 Collection/ CROCO designed by Mauro Marzollo shown on pp. 13-22/ 12 pages, includes front and rear covers of catalog.*

All cylindrical pendants shown on bottom half of page from <http://www.lbclighting.com/mm5/merchant.mvc?> visited Sep. 19, 2007.*

* cited by examiner

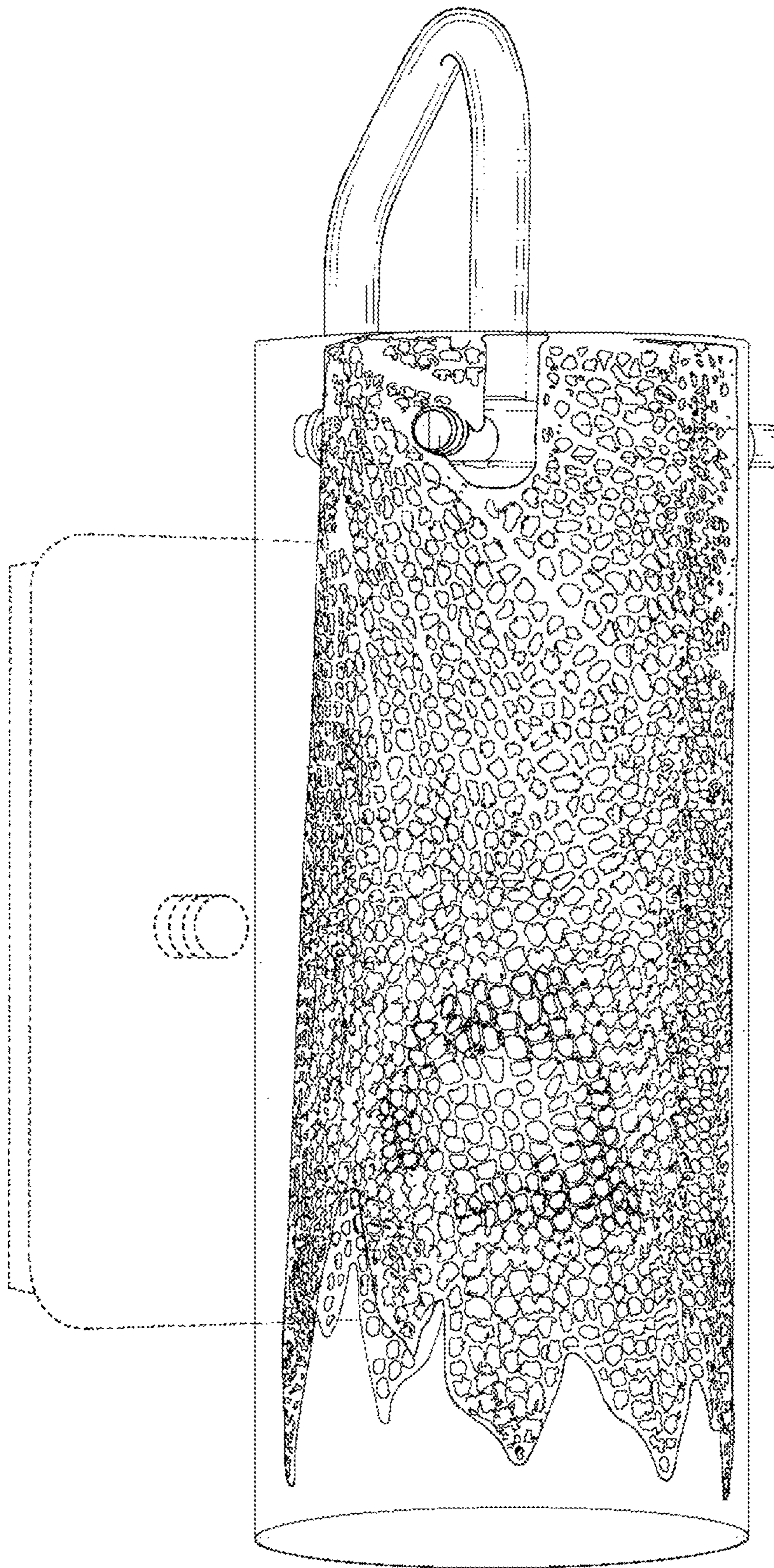


FIG. 1

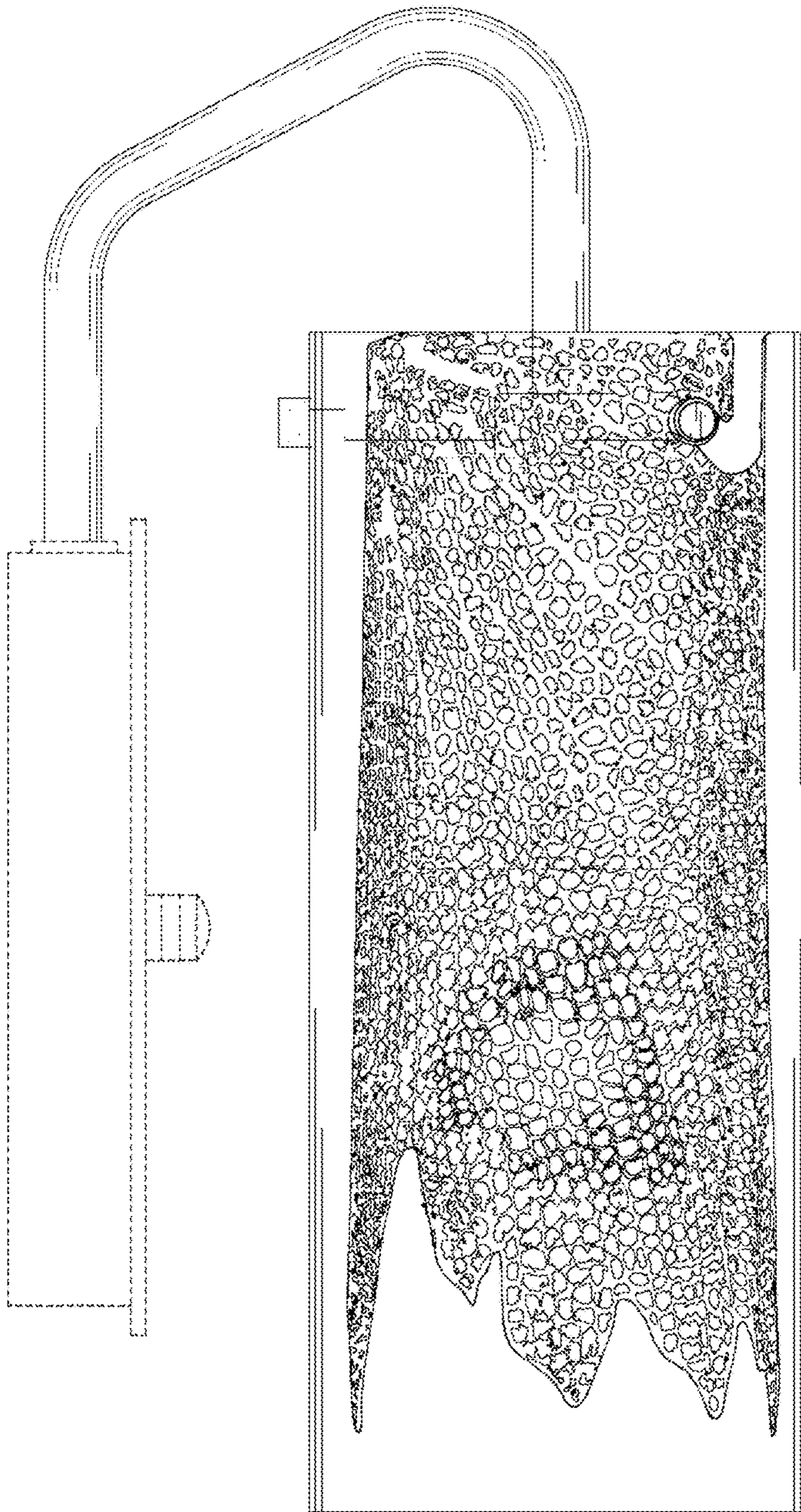


FIG. 2

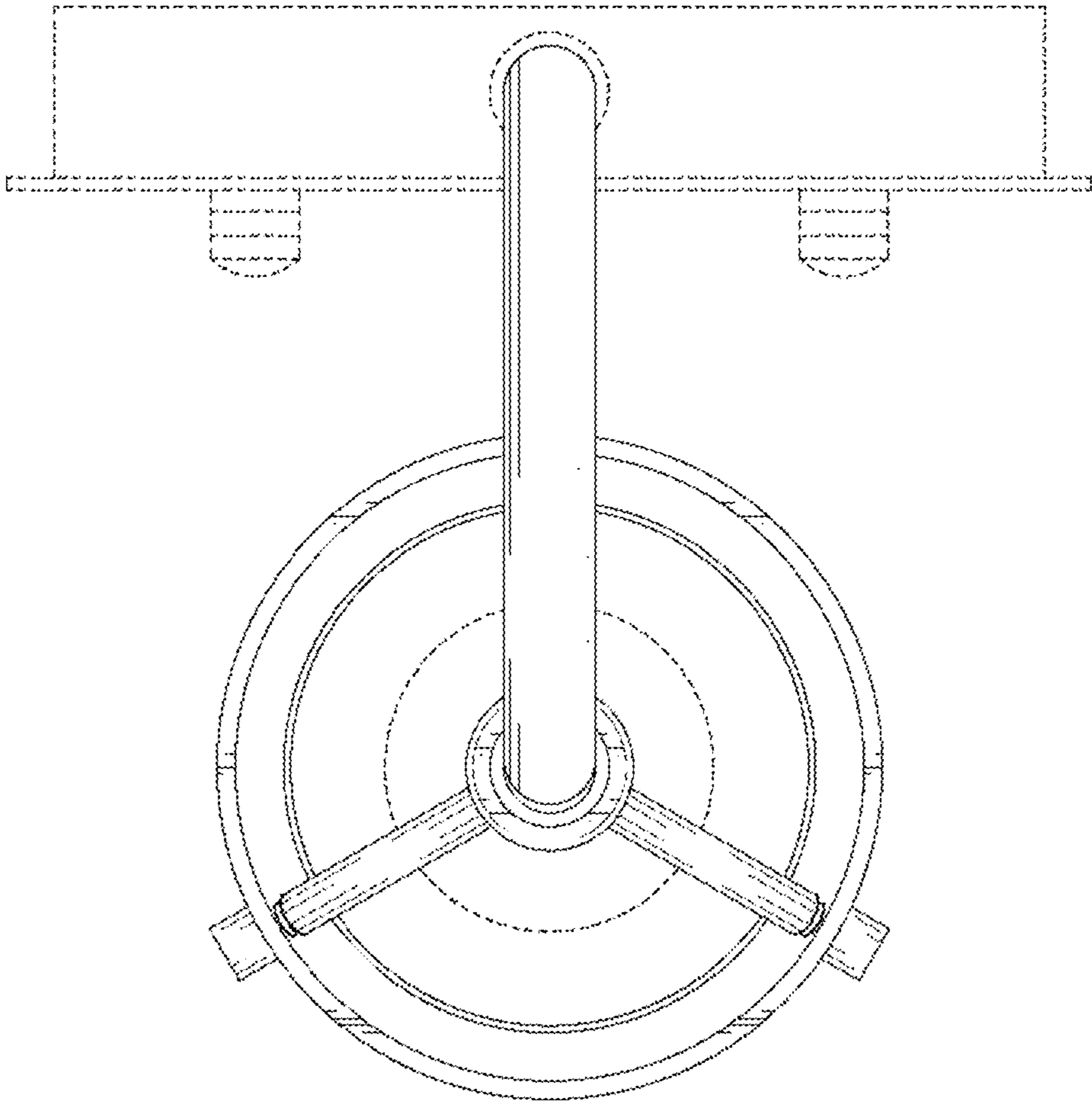


FIG. 3

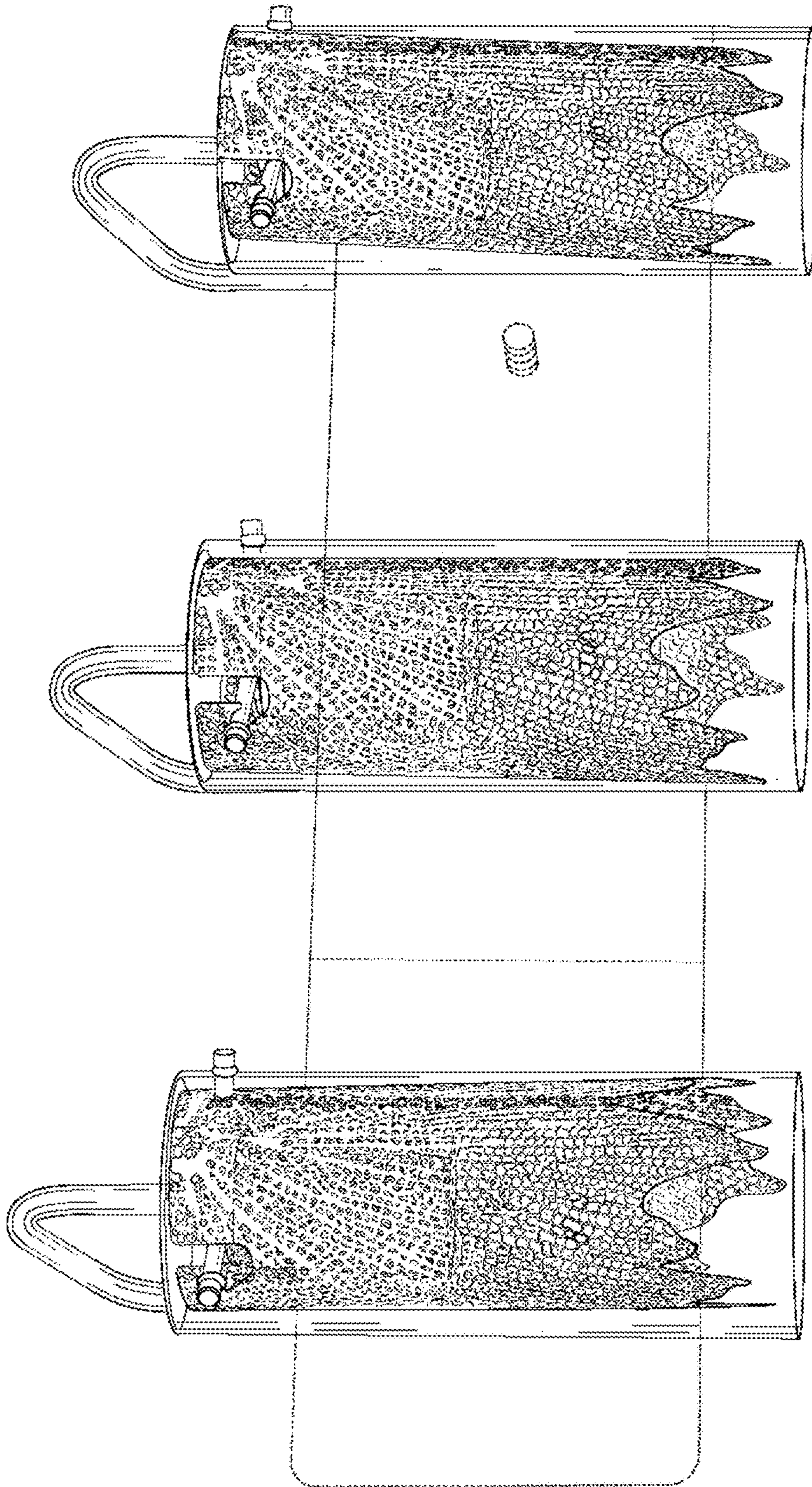


FIG. 4

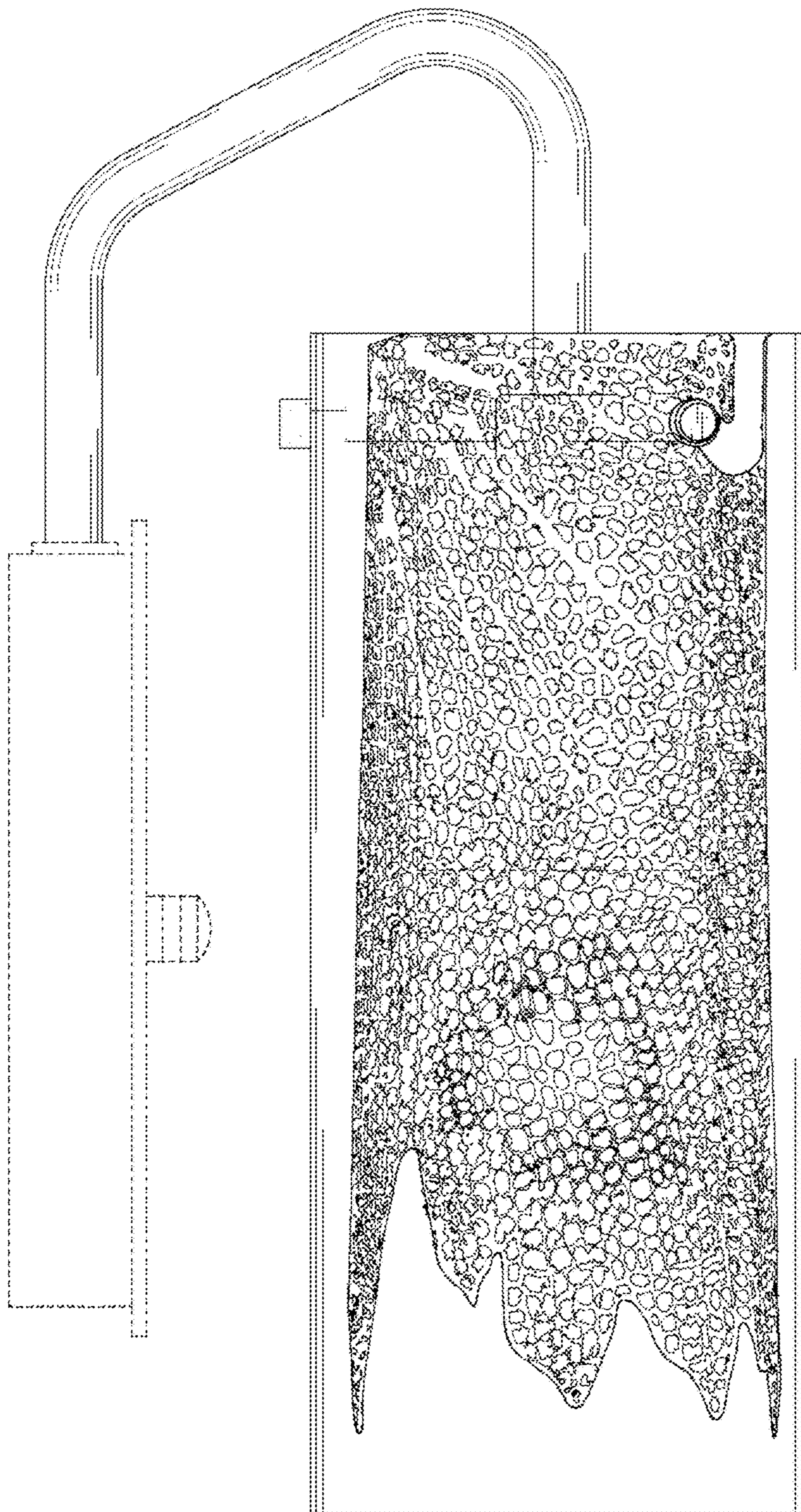


FIG. 5

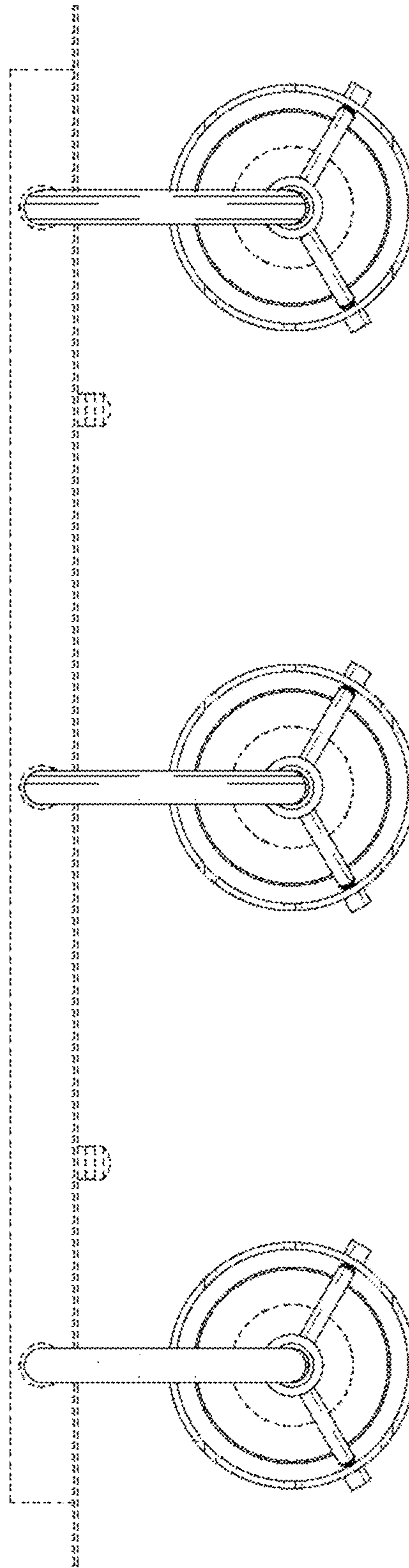


FIG. 6

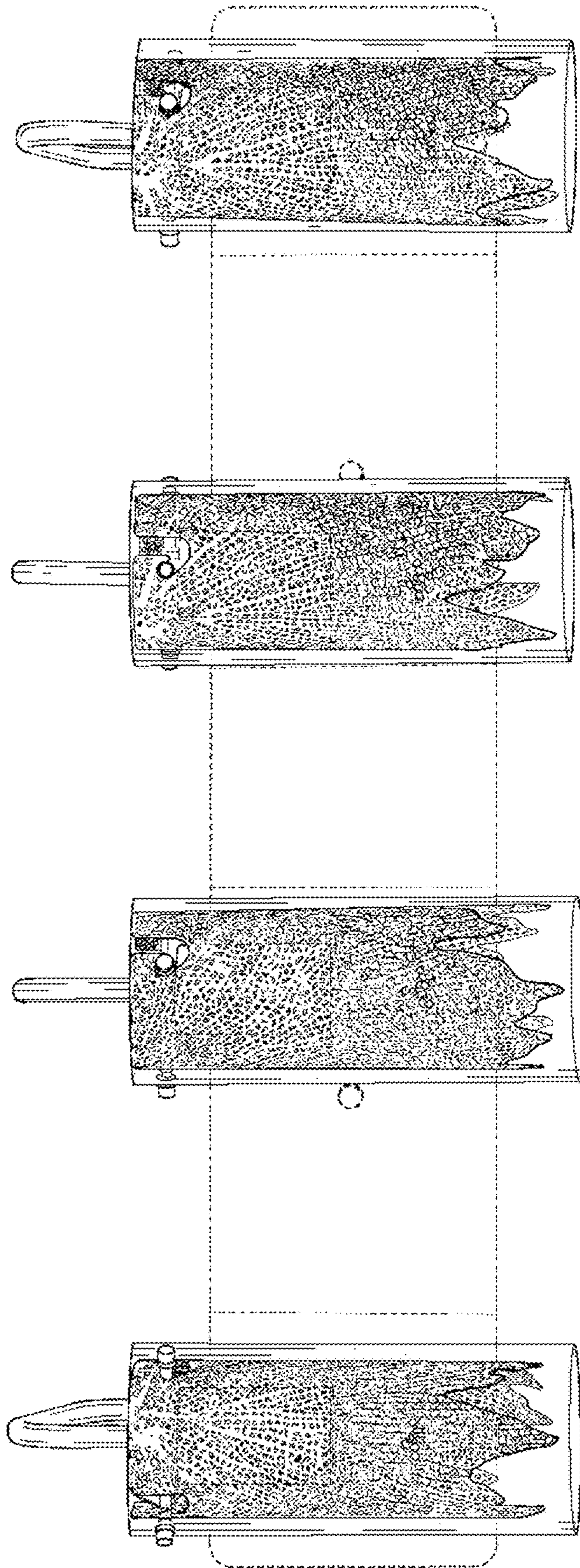


FIG. 7

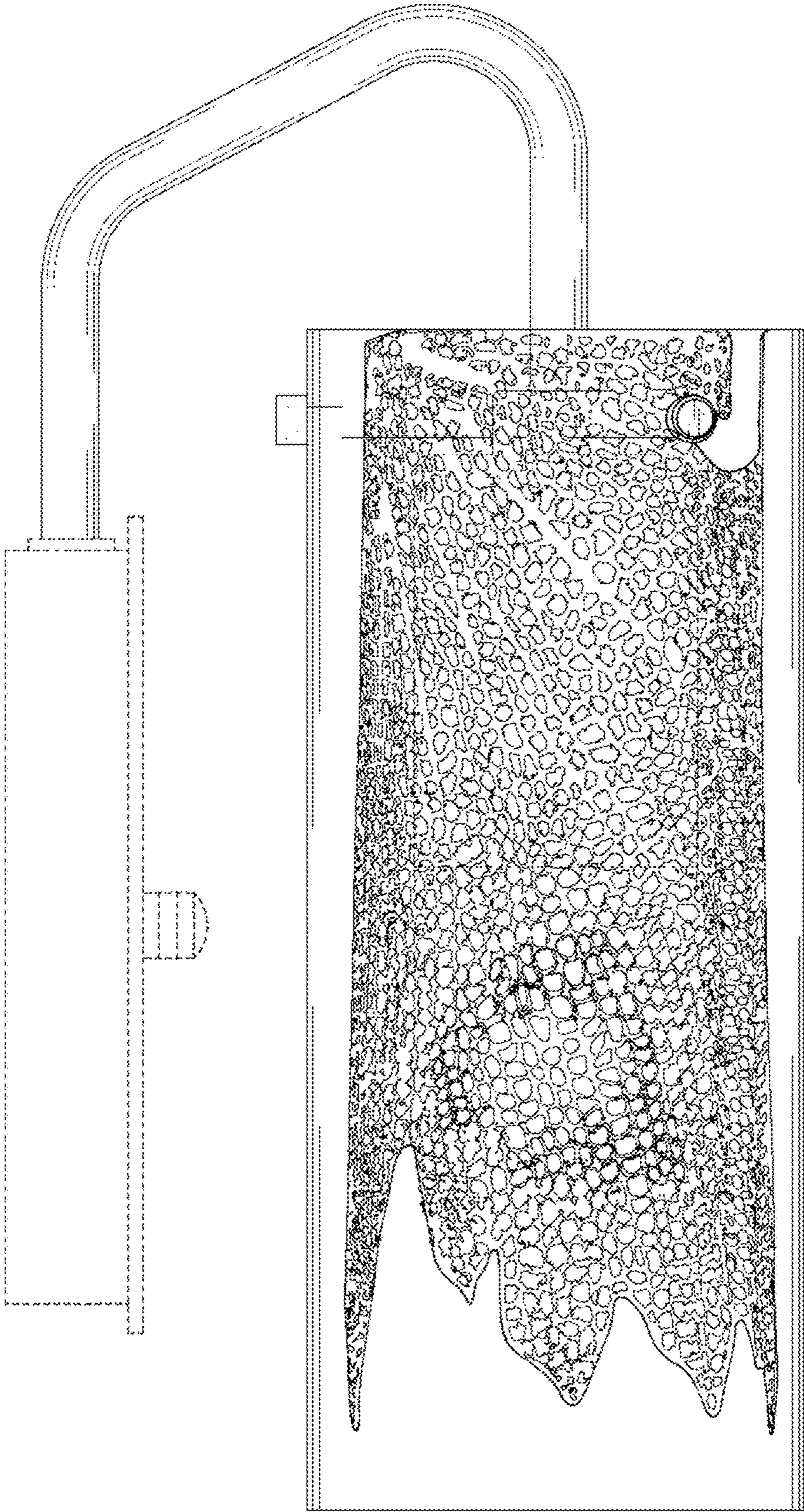


FIG. 8

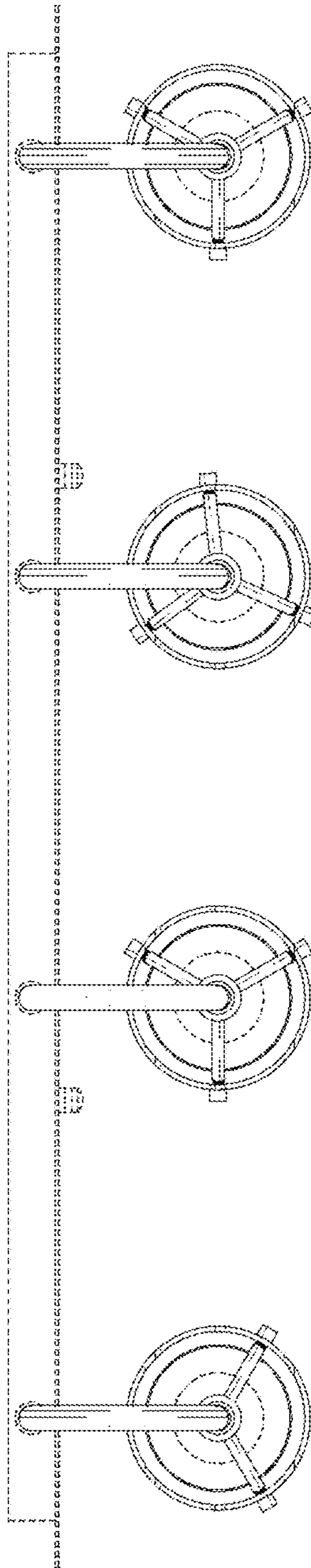


FIG. 9