



US00D810984S

(12) **United States Design Patent** (10) **Patent No.:** **US D810,984 S**  
**McCracken, Jr. et al.** (45) **Date of Patent:** **\*\* Feb. 20, 2018**

- (54) **LUMINAIRE**
- (71) Applicant: **LSI Industries, Inc.**, Cincinnati, OH (US)
- (72) Inventors: **Edward R. McCracken, Jr.**, Cincinnati, OH (US); **Jonathan M. Hermansen**, Maineville, OH (US)
- (73) Assignee: **LSI Industries, Inc.**, Cincinnati, OH (US)
- (\*\*) Term: **15 Years**
- (21) Appl. No.: **29/591,026**
- (22) Filed: **Jan. 16, 2017**

**Related U.S. Application Data**

- (62) Division of application No. 29/562,569, filed on Apr. 27, 2016, now Pat. No. Des. 781,483.
- (51) **LOC (11) Cl.** ..... **26-05**
- (52) **U.S. Cl.**  
USPC ..... **D26/71; D26/92**
- (58) **Field of Classification Search**  
USPC ..... D26/63, 71, 92  
CPC .. F21S 8/033; F21S 8/036; F21S 8/085; F21S 8/086; F21V 21/30; F21W 2111/02  
See application file for complete search history.

**References Cited**

**U.S. PATENT DOCUMENTS**

D206,240 S *	11/1966	Rutter	.....	D26/71
D570,516 S *	6/2008	Orellana	.....	D26/71
7,420,811 B2 *	9/2008	Chan	.....	F21V 29/004 361/707
D622,433 S *	8/2010	Waters	.....	D26/71
D652,978 S *	1/2012	Boissevain	.....	D26/71
D663,462 S *	7/2012	Butler	.....	D26/71
D672,492 S *	12/2012	Butler	.....	D26/71

D694,449 S *	11/2013	Walker	.....	D26/63
D695,437 S *	12/2013	Johnson	.....	D26/71
D747,527 S *	1/2016	Guercio	.....	D26/71
D749,256 S *	2/2016	Compton	.....	D26/71
D771,856 S *	11/2016	Novak	.....	D26/71
D771,857 S *	11/2016	Novak	.....	D26/71
D781,483 S *	3/2017	McCracken	.....	D26/71
2004/0196653 A1 *	10/2004	Clark	.....	F21S 8/086 362/183
2009/0244895 A1 *	10/2009	Chen	.....	F21V 29/75 362/249.02
2009/0310381 A1 *	12/2009	Chang	.....	F21V 29/004 362/555
2013/0027935 A1 *	1/2013	Ladewig	.....	F21S 2/00 362/249.01
2016/0281967 A1 *	9/2016	Hunt	.....	F21V 21/116

\* cited by examiner

*Primary Examiner* — Clare E Heflin

(74) *Attorney, Agent, or Firm* — Wood Herron & Evans LLP

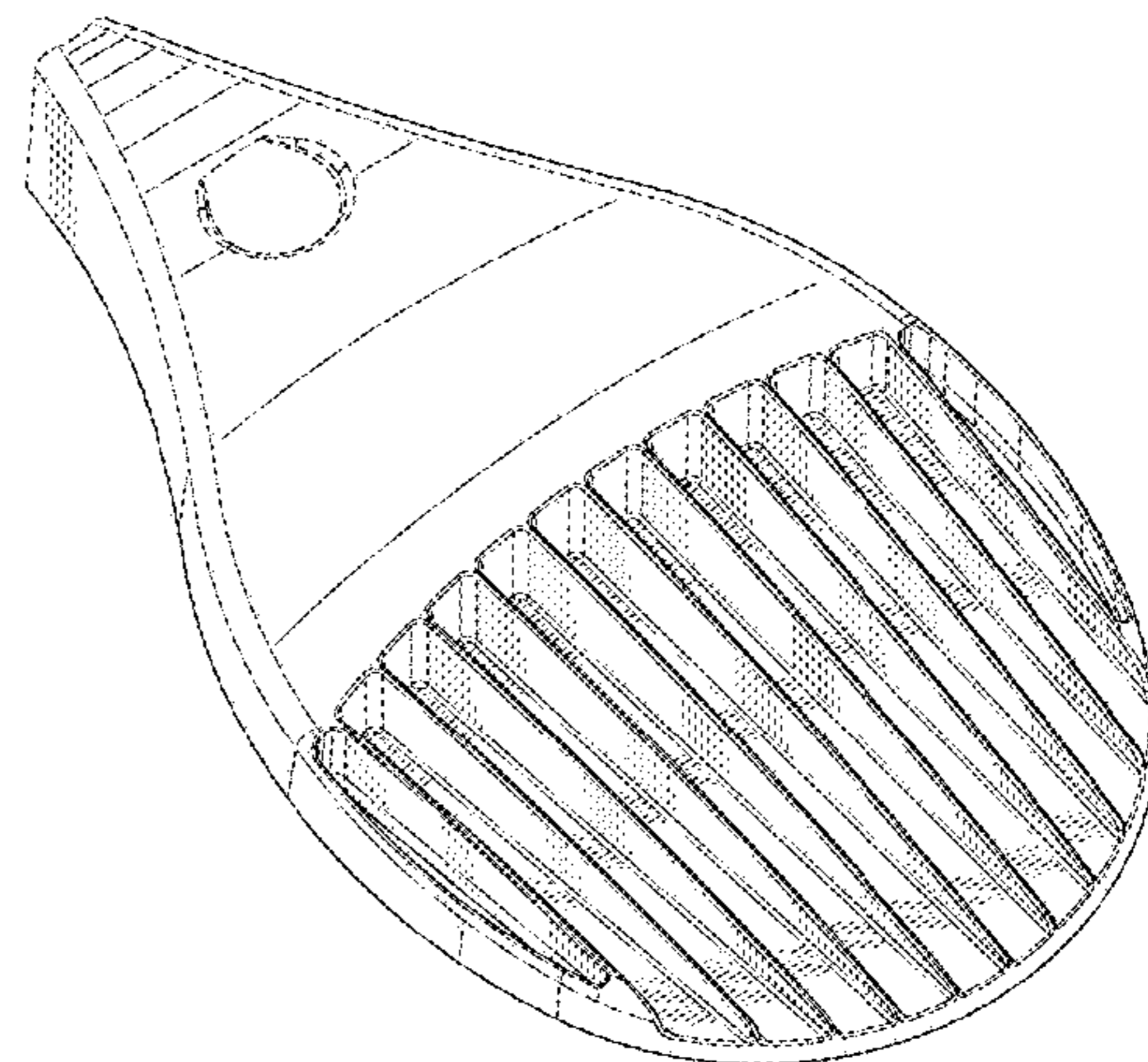
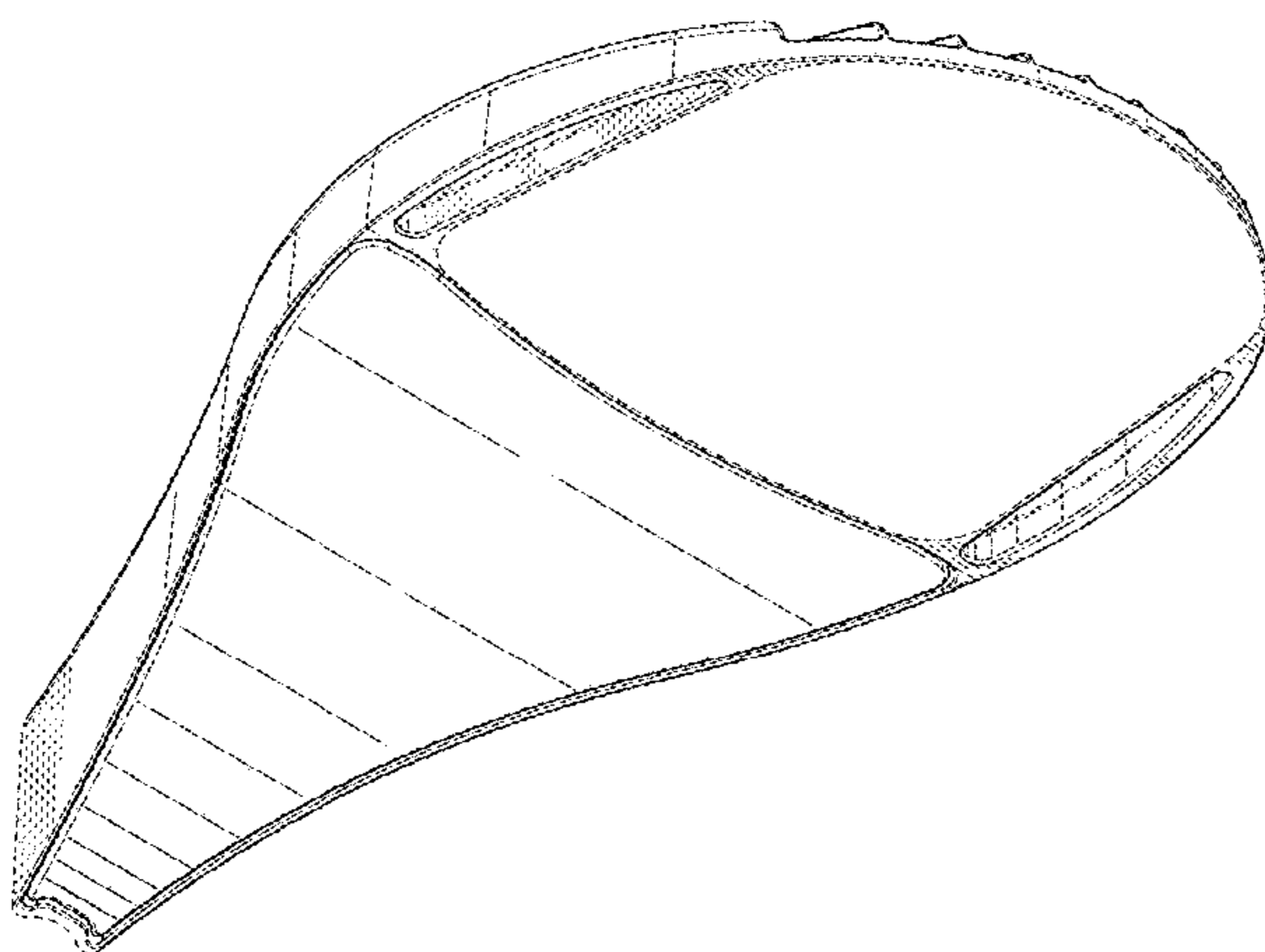
(57) **CLAIM**

The ornamental design for the luminaire, as shown and described.

**DESCRIPTION**

FIG. 1 is a bottom front isometric view of our new luminaire design;  
 FIG. 2 is a top front isometric view thereof;  
 FIG. 3 is a bottom plan view thereof;  
 FIG. 4 is a top plan view thereof;  
 FIG. 5 is a front elevation view thereof;  
 FIG. 6 is a rear elevation view thereof;  
 FIG. 7 is a left side elevation view thereof; and,  
 FIG. 8 is a right side elevation view thereof.  
 The broken dash lines shown in the drawing views represent non-claimed subject matter, and neither the lines themselves nor anything within the lines form any part of the claimed invention.

**1 Claim, 6 Drawing Sheets**



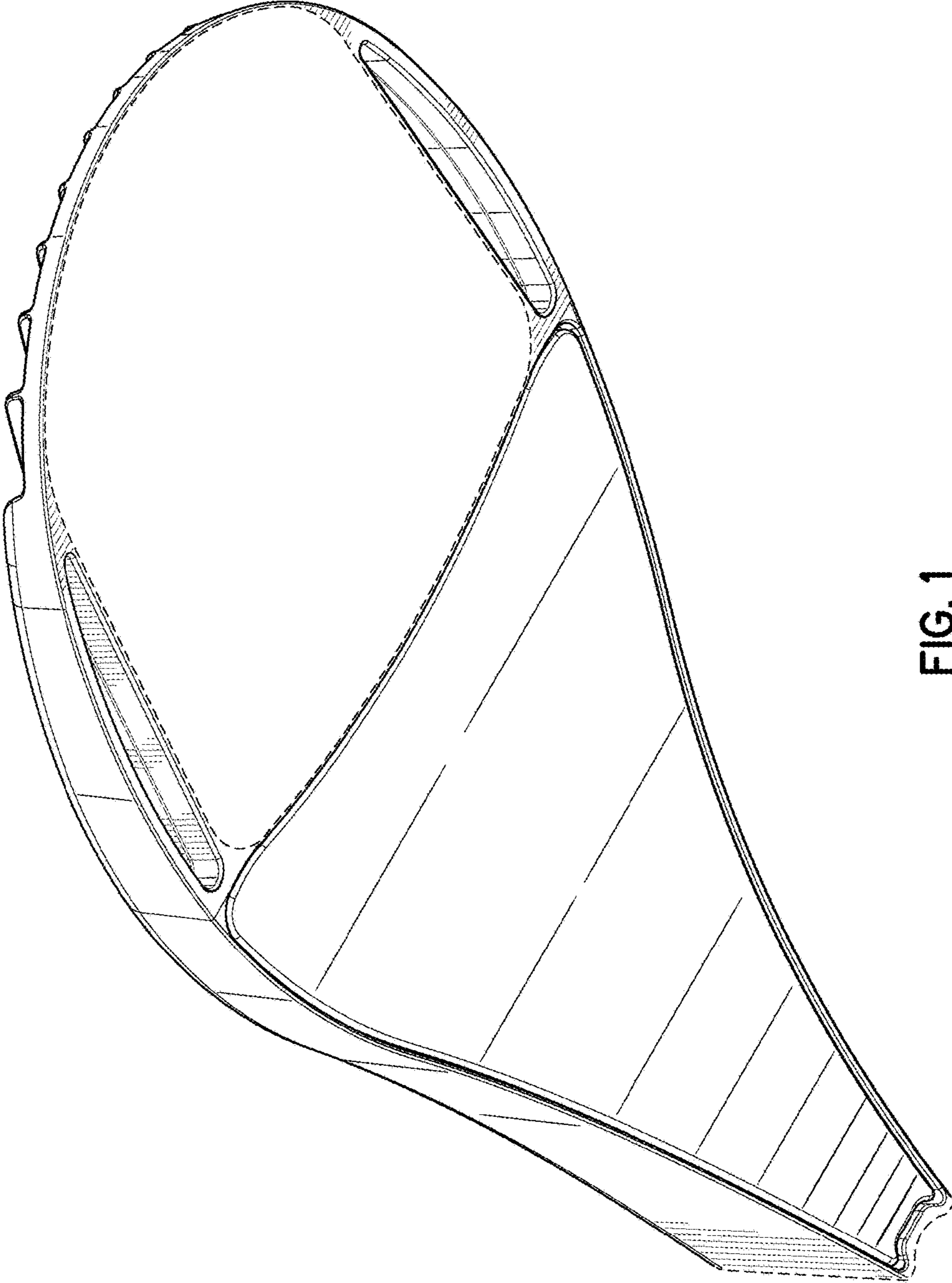


FIG. 1



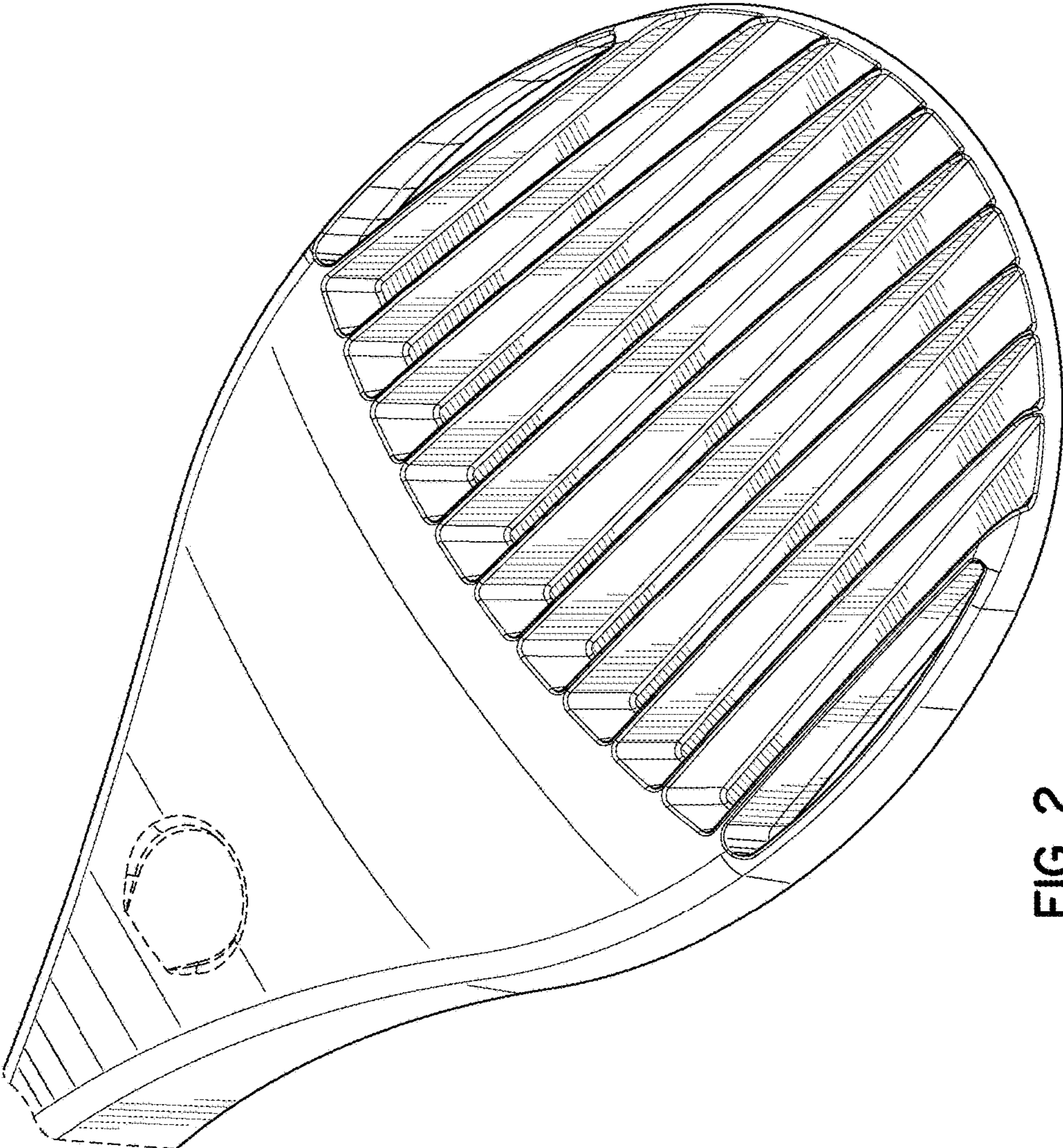


FIG. 2

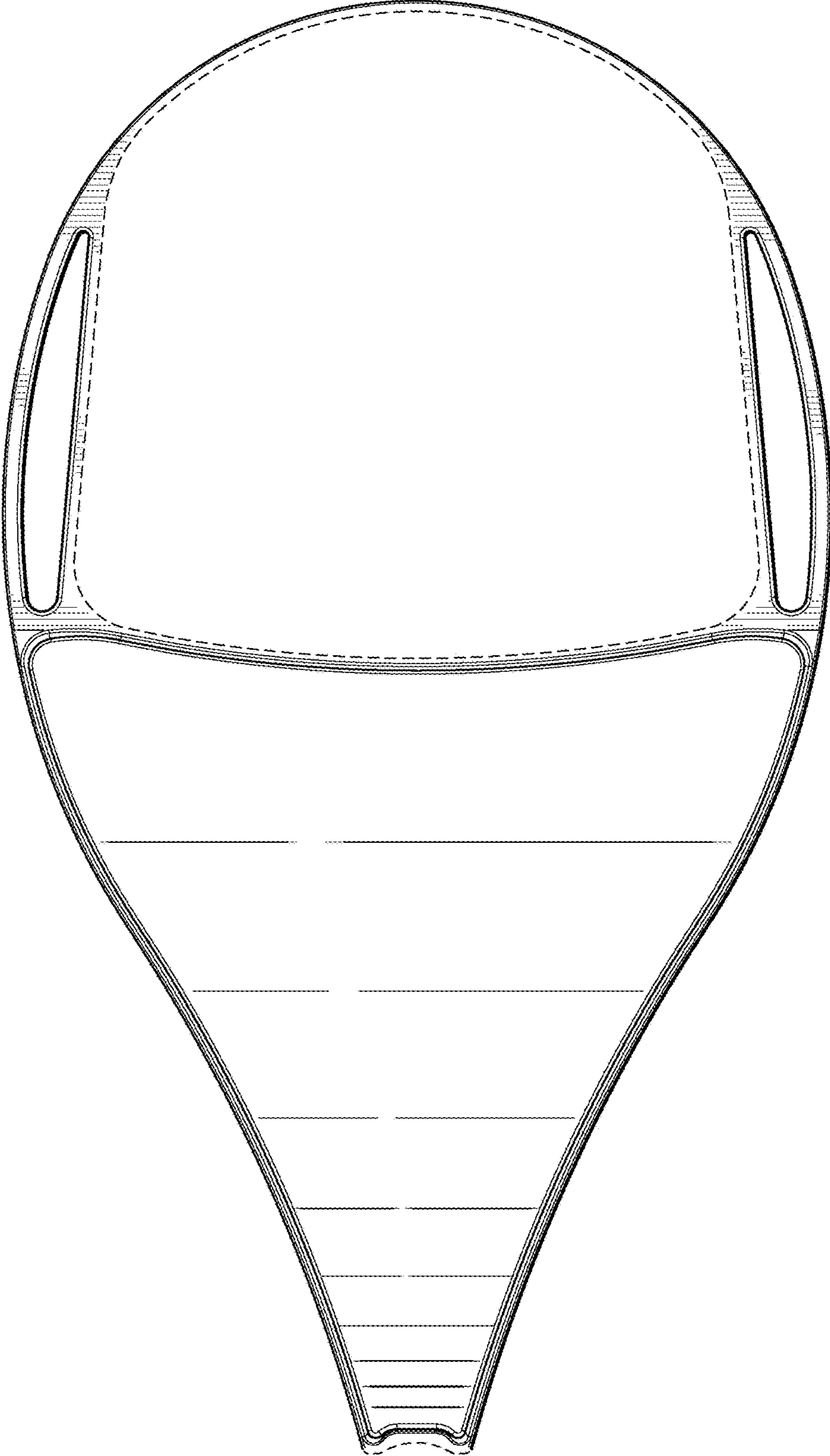


FIG. 3

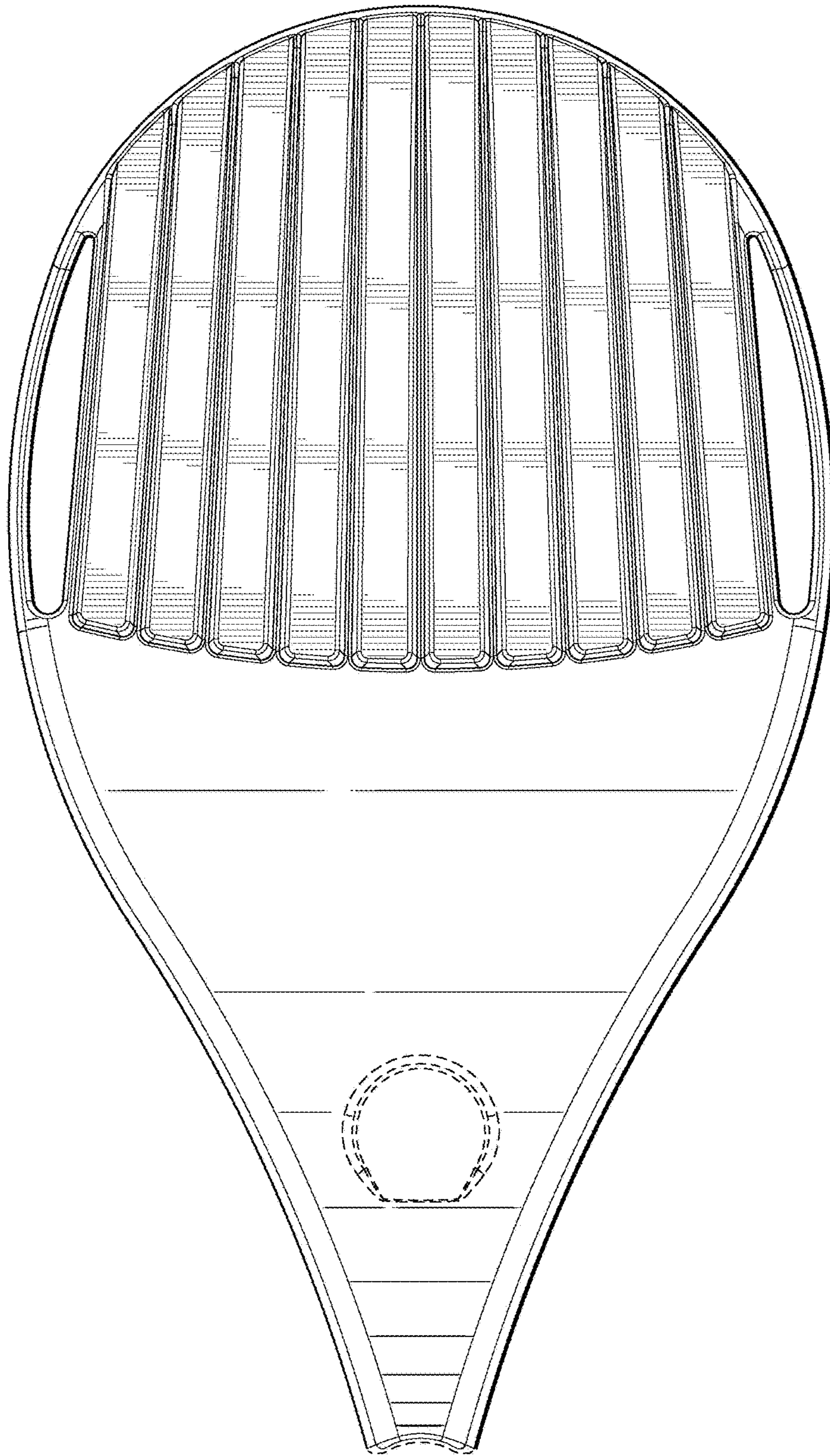


FIG. 4



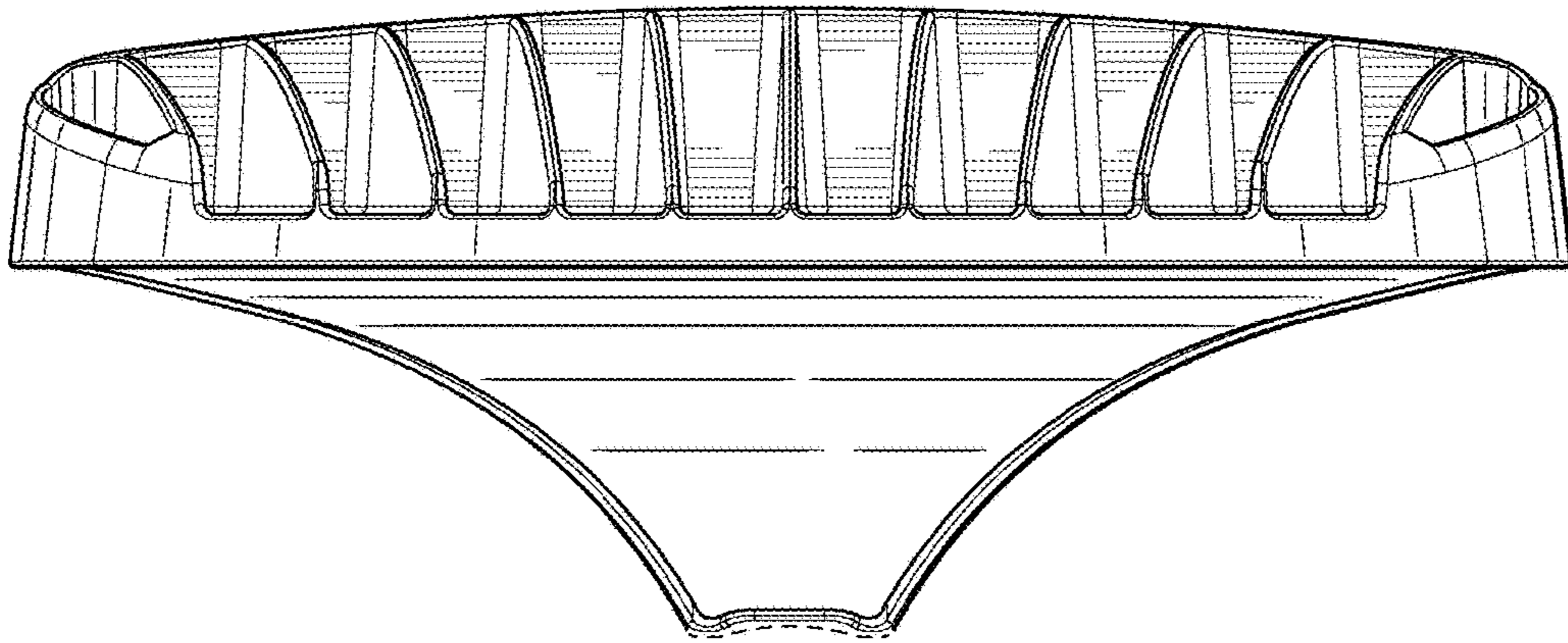


FIG. 5

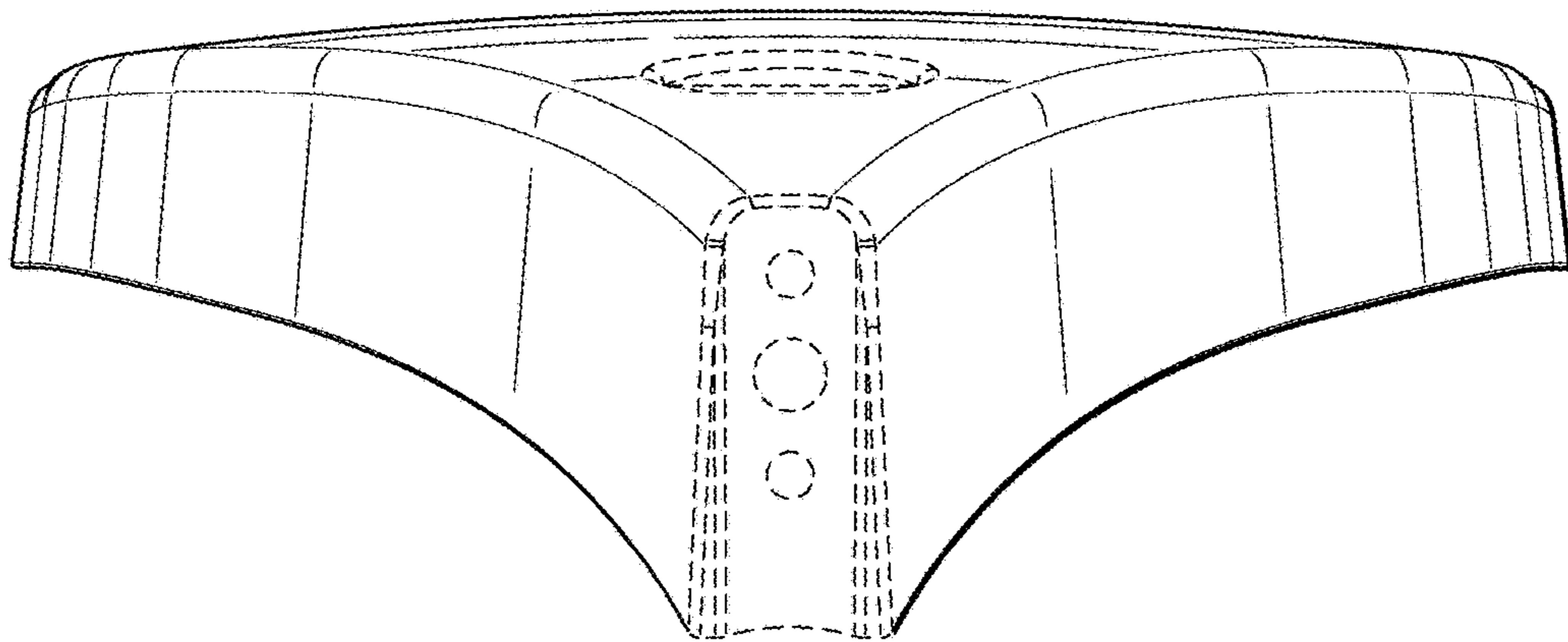


FIG. 6

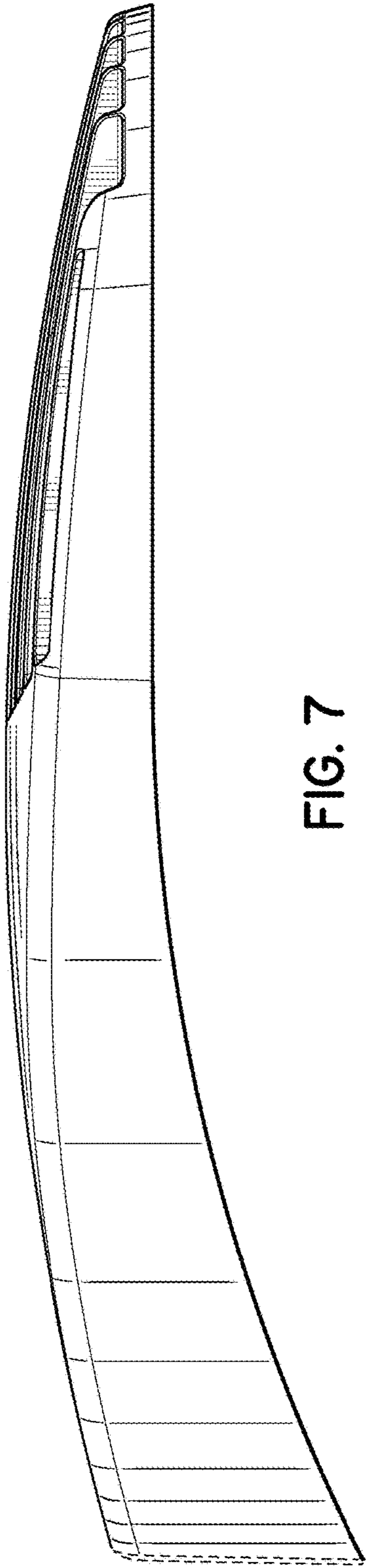


FIG. 7

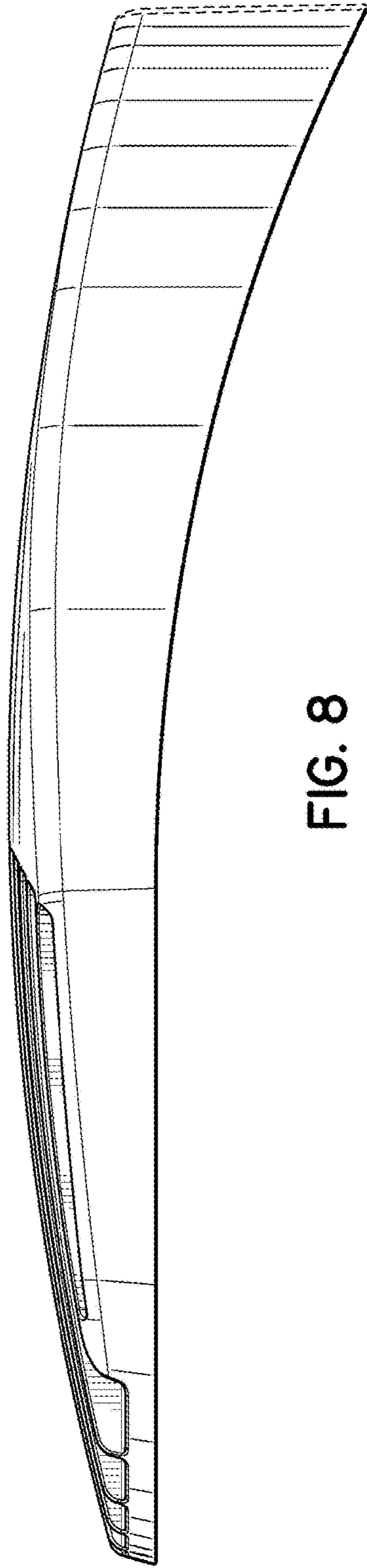


FIG. 8