



US00D810983S

(12) **United States Design Patent** (10) **Patent No.:** **US D810,983 S**  
**Waldmann** (45) **Date of Patent:** **\*\* Feb. 20, 2018**

(54) **PARTS OF LAMPS**

(71) Applicant: **HERBERT WALDMANN GMBH & CO. KG**, Villingen-Schwenningen (DE)

(72) Inventor: **Gerhard Waldmann**, Stein am Rhein (CH)

(73) Assignee: **HERBERT WALDMANN GMBH & CO. KG**, Villingen-Schwenningen (DE)

(\*\*) Term: **15 Years**

(21) Appl. No.: **29/582,570**

(22) Filed: **Oct. 28, 2016**

**Related U.S. Application Data**

(62) Division of application No. 35/500,120, filed on Jul. 23, 2015 (U.S. filing date under 35 U.S.C. 384), and having an international filing date of Jul. 23, 2015, now abandoned.

(51) **LOC (11) Cl.** ..... **26-05**

(52) **U.S. Cl.**  
USPC ..... **D26/63**  
CPC ..... **F21S 8/033** (2013.01)

(58) **Field of Classification Search**  
USPC ..... D26/63, 67, 68, 72, 118; 362/152, 153, 362/153.1, 277, 372  
CPC ..... F21S 8/033; F21V 21/0824; F21V 21/30; F21V 23/0442; F21V 21/02  
See application file for complete search history.

(56) **References Cited**

U.S. PATENT DOCUMENTS

D231,559 S *	4/1974	Darling .....	D26/63
5,590,957 A *	1/1997	Chen .....	F21V 21/26 362/419
D408,569 S *	4/1999	Waldmann .....	D26/63
D408,937 S *	4/1999	Waldmann .....	D26/63
D452,581 S *	12/2001	Zakrzewski .....	D13/139.2
D518,218 S *	3/2006	Roberge .....	D26/63
D548,868 S *	8/2007	Roberge .....	D26/63
D574,987 S *	8/2008	Waldmann .....	D26/63
D593,242 S *	5/2009	Briese .....	D26/63
D715,474 S *	10/2014	Janos .....	D26/63

\* cited by examiner

*Primary Examiner* — Richard E Chilcot

(74) *Attorney, Agent, or Firm* — Muirhead and Saturnelli, LLC

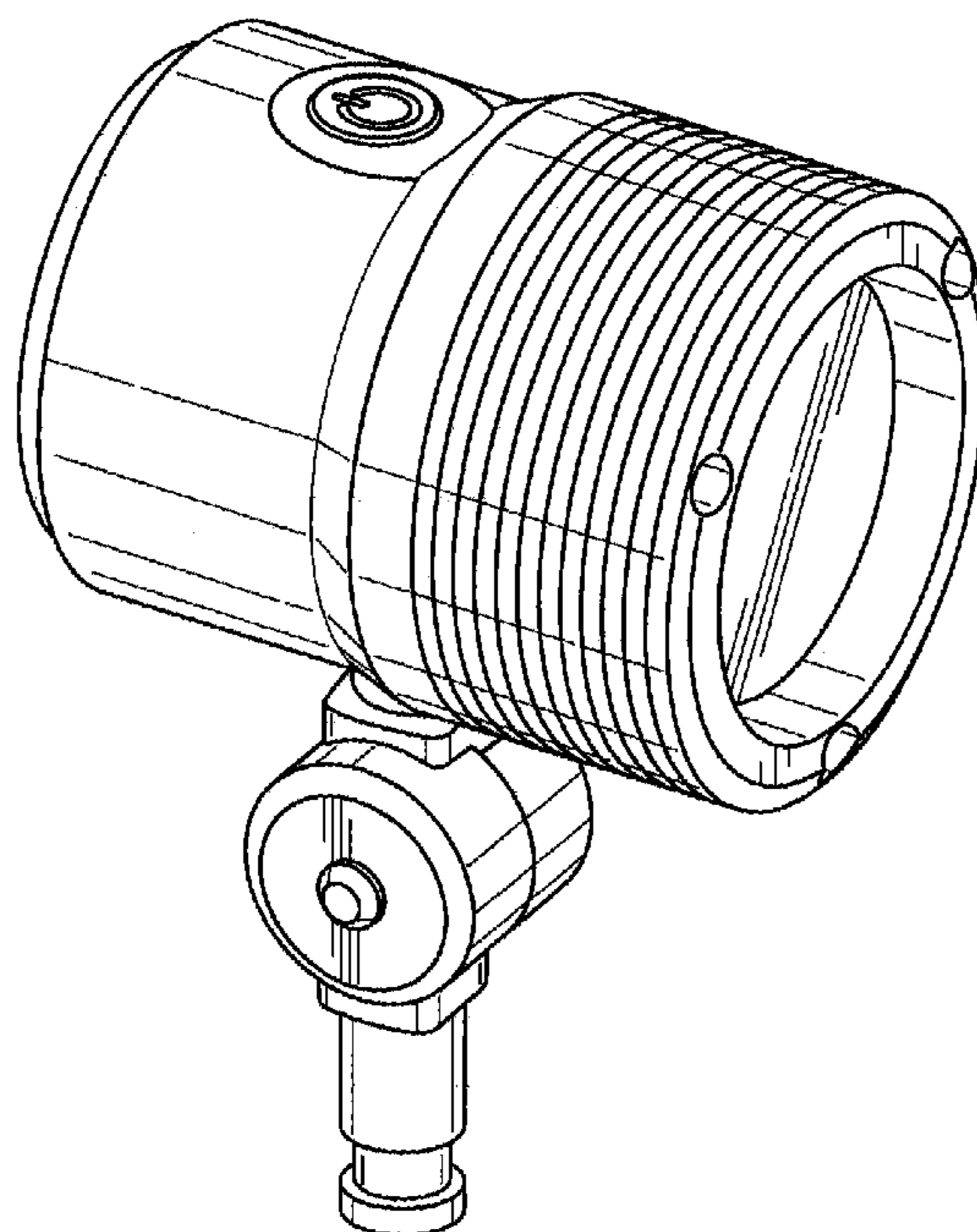
(57) **CLAIM**

The ornamental design for a part of lamp, as shown and described.

**DESCRIPTION**

FIG. 1. is a rear view of a new design for parts of lamps.  
FIG. 2 is a top view thereof.  
FIG. 3 is a bottom view thereof.  
FIG. 4 is a right side view thereof.  
FIG. 5 is a left side view thereof.  
FIG. 6 is a perspective view thereof; and,  
FIG. 7 is a front view thereof.

**1 Claim, 7 Drawing Sheets**



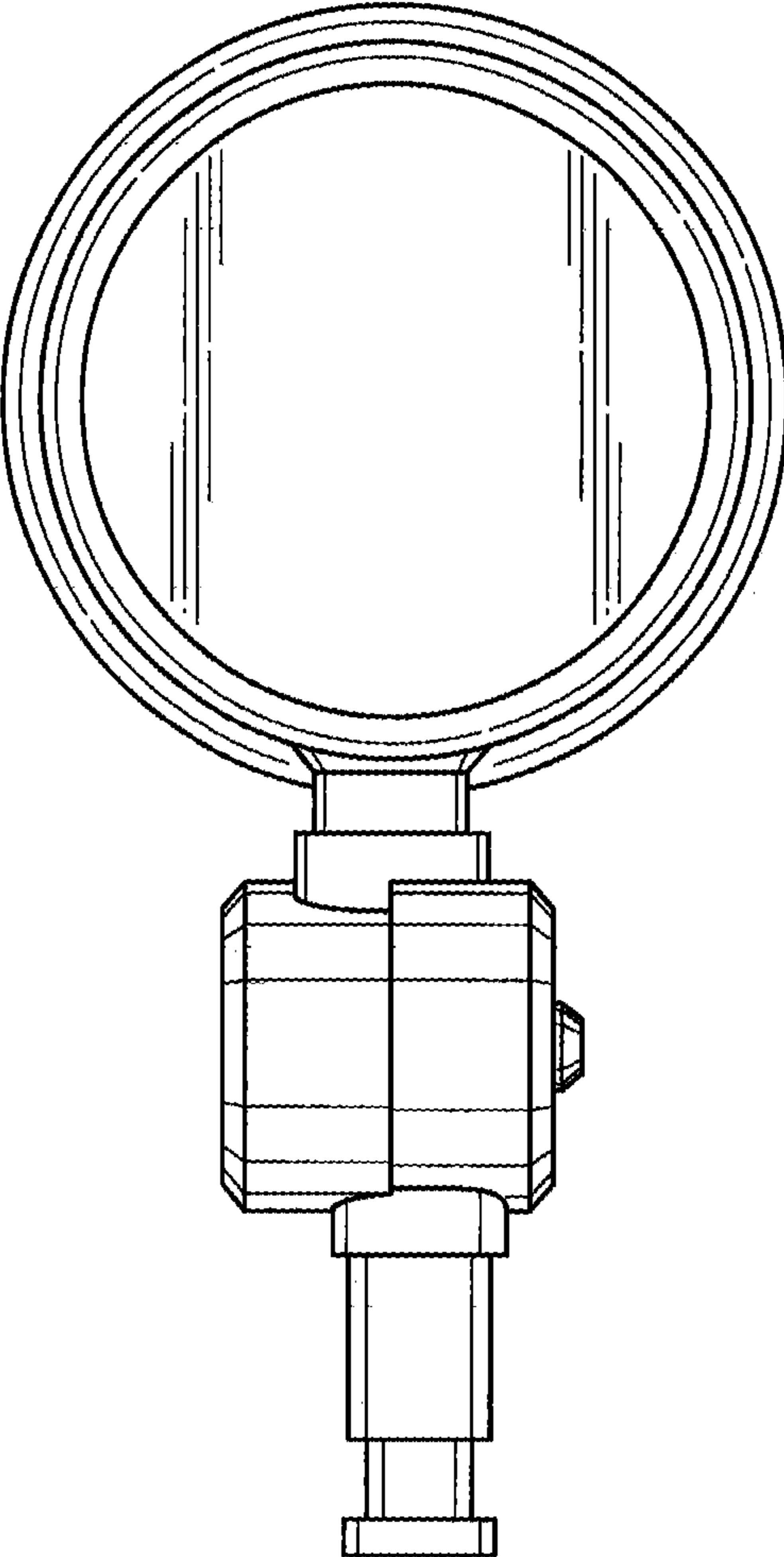


FIG. 1

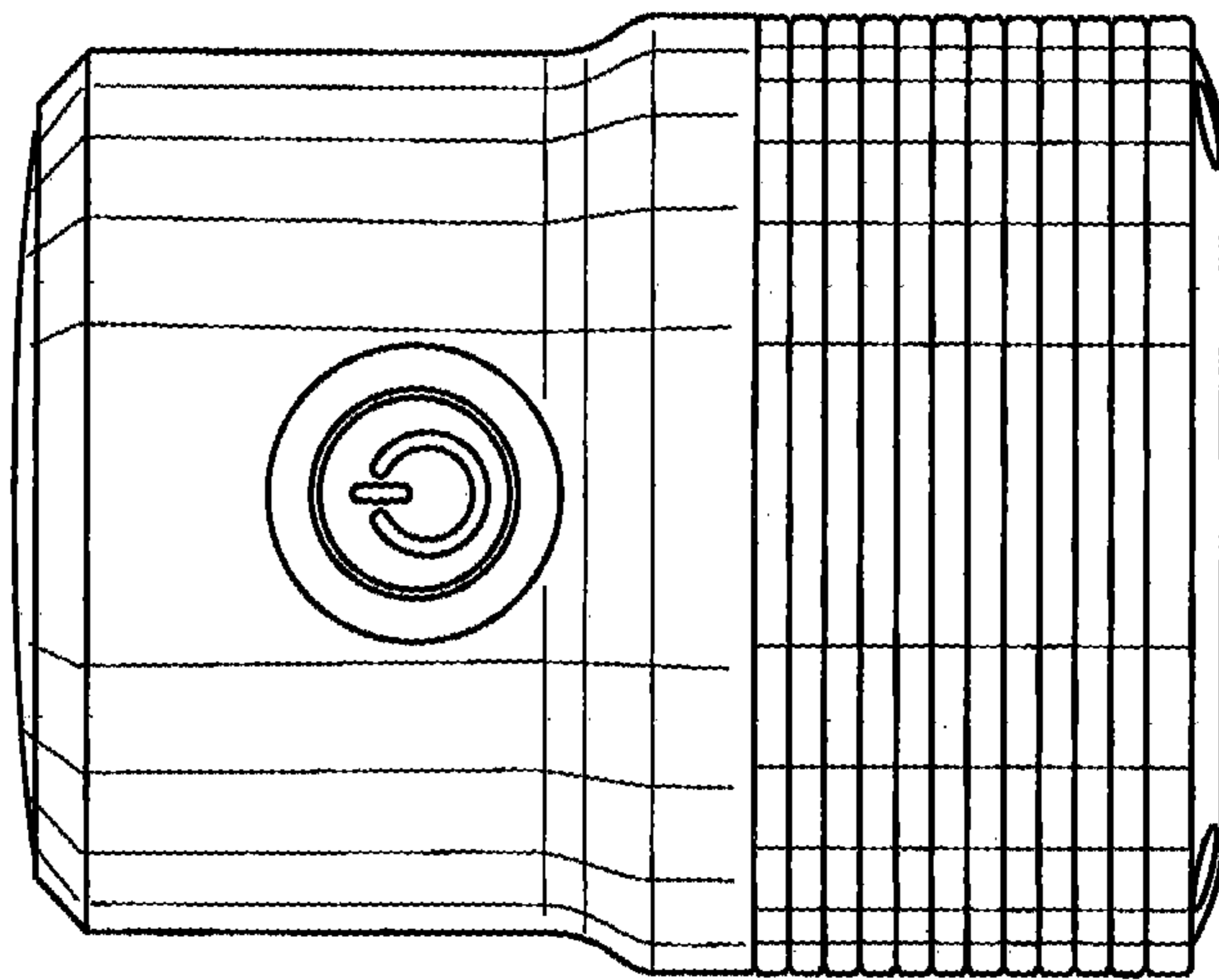


FIG. 2

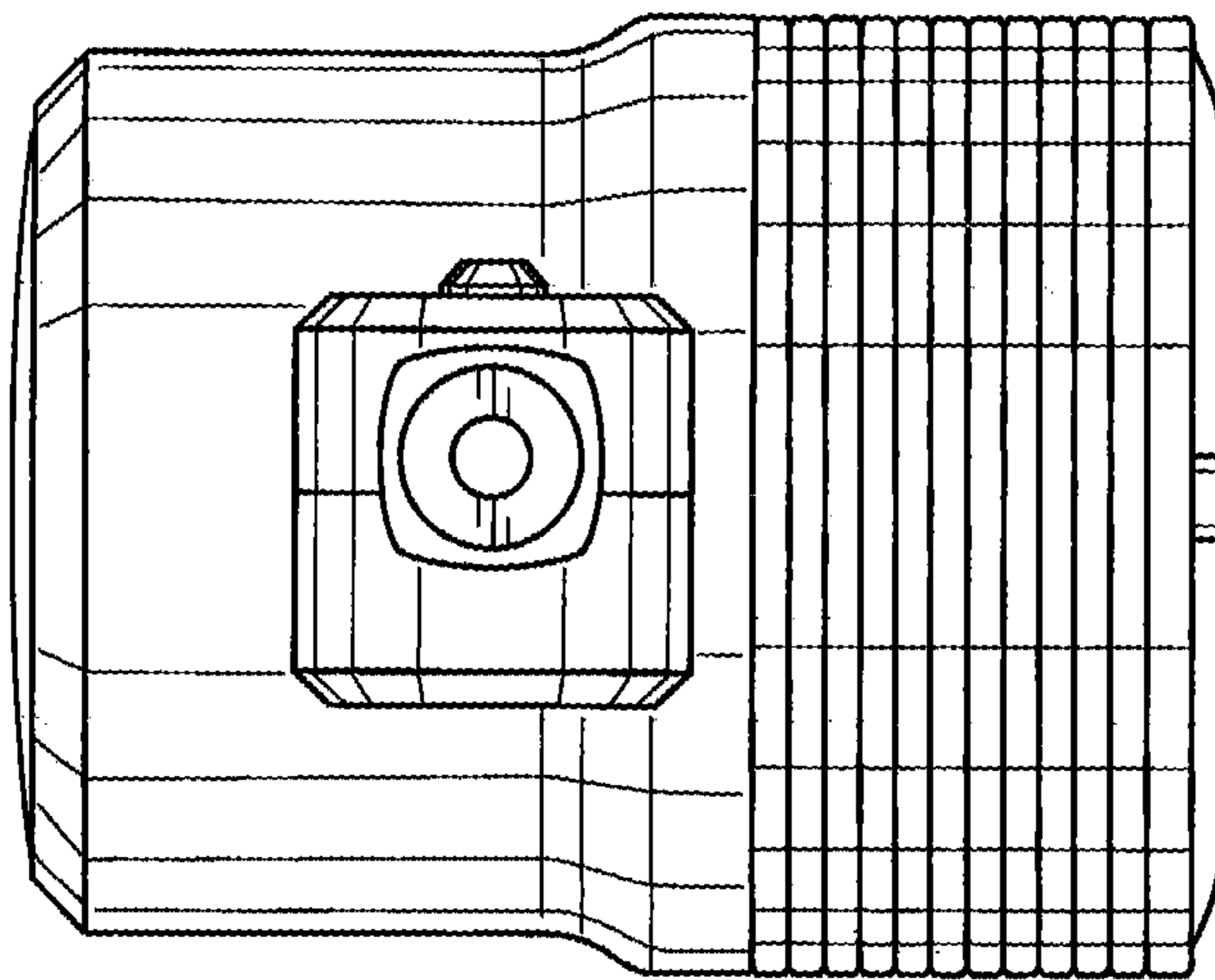


FIG. 3

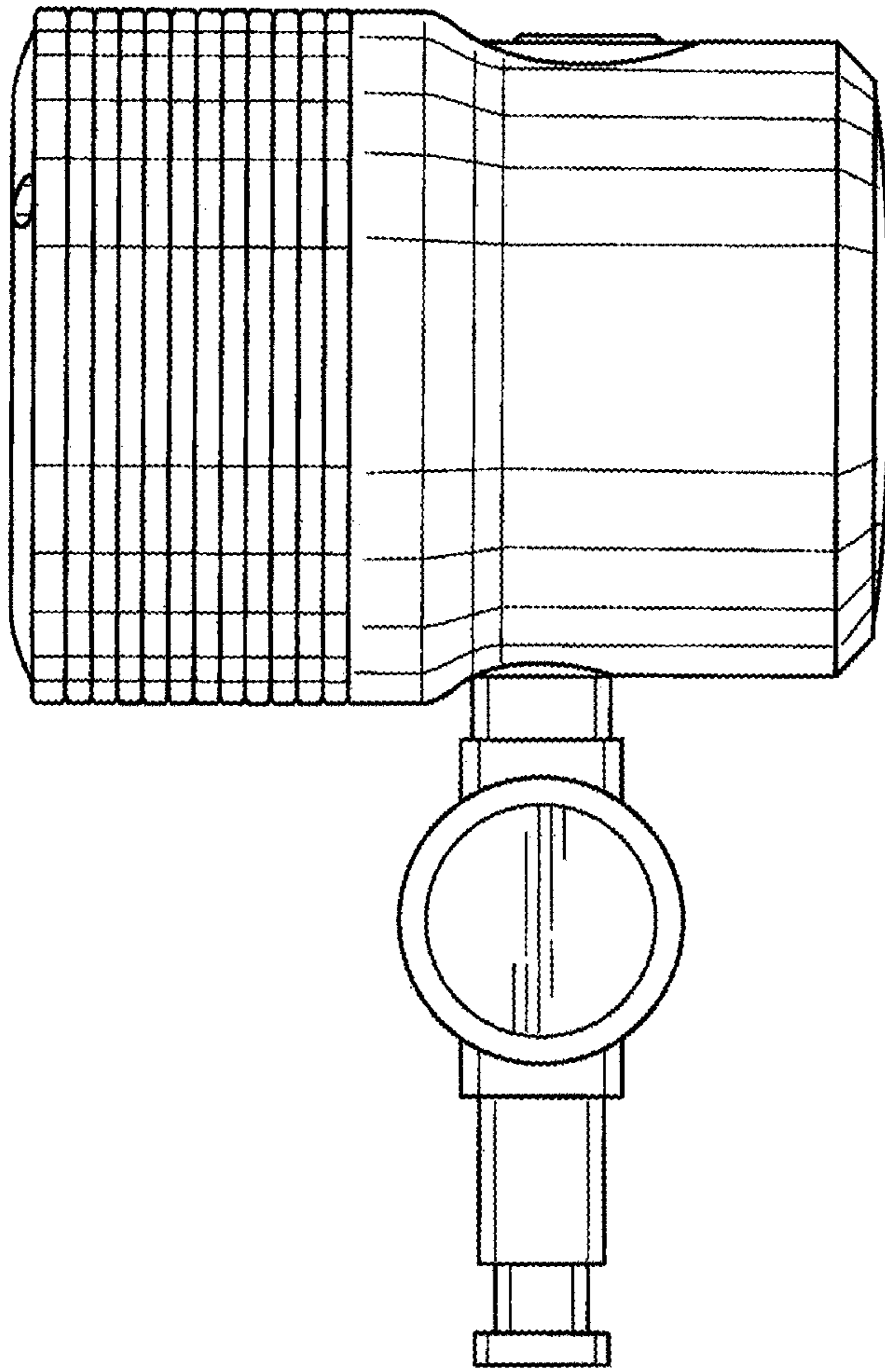


FIG. 4

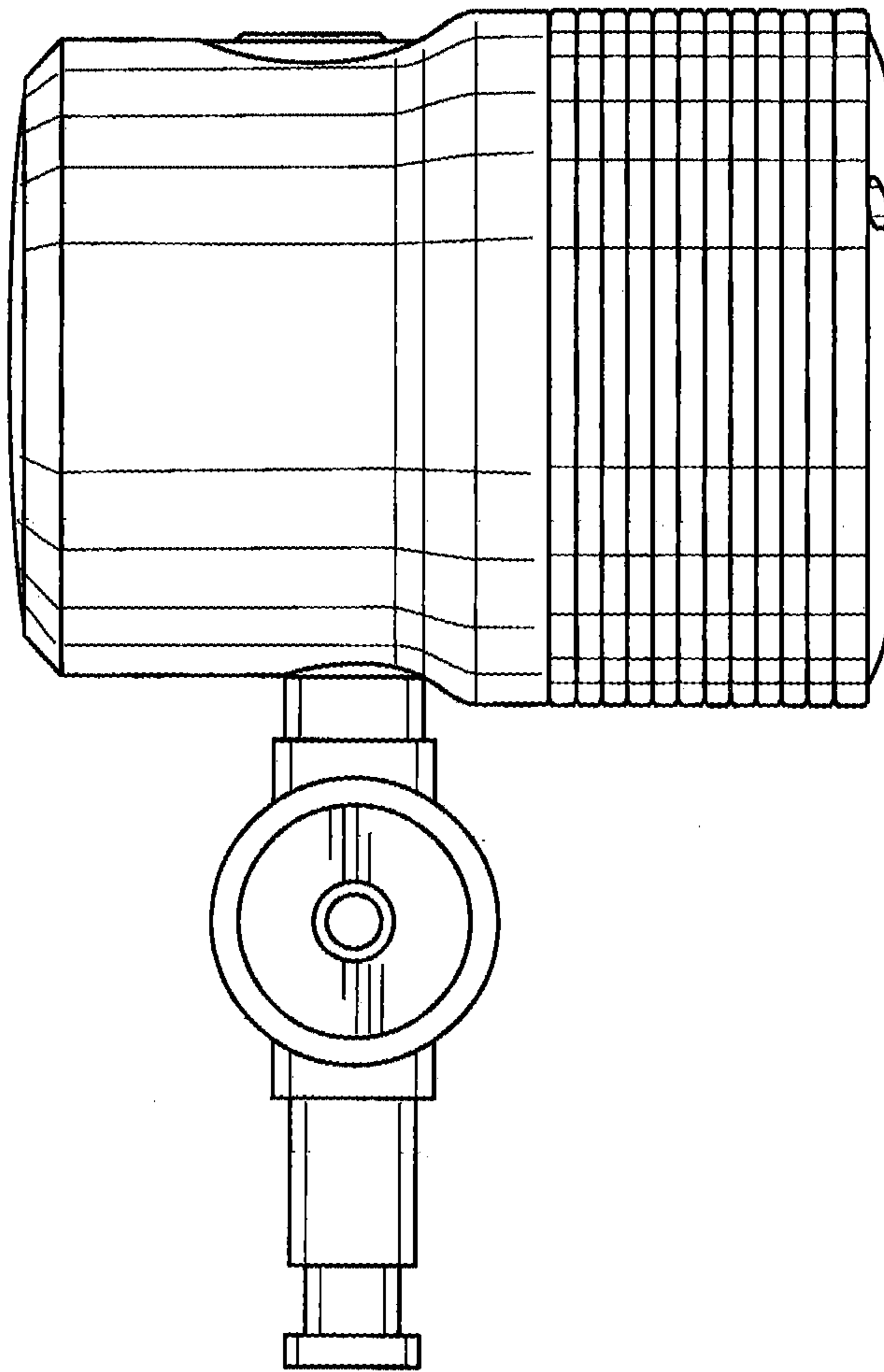


FIG. 5

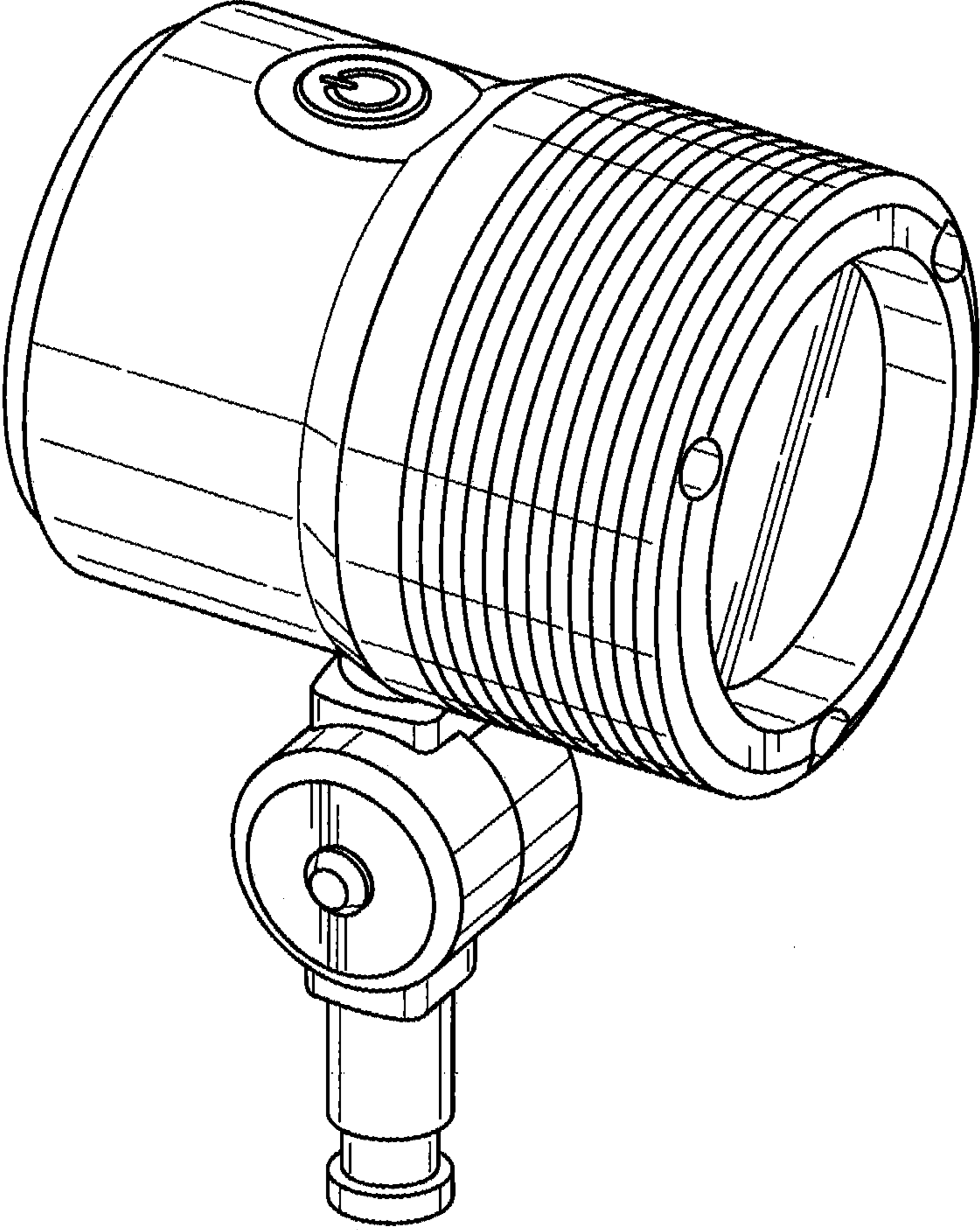


FIG. 6



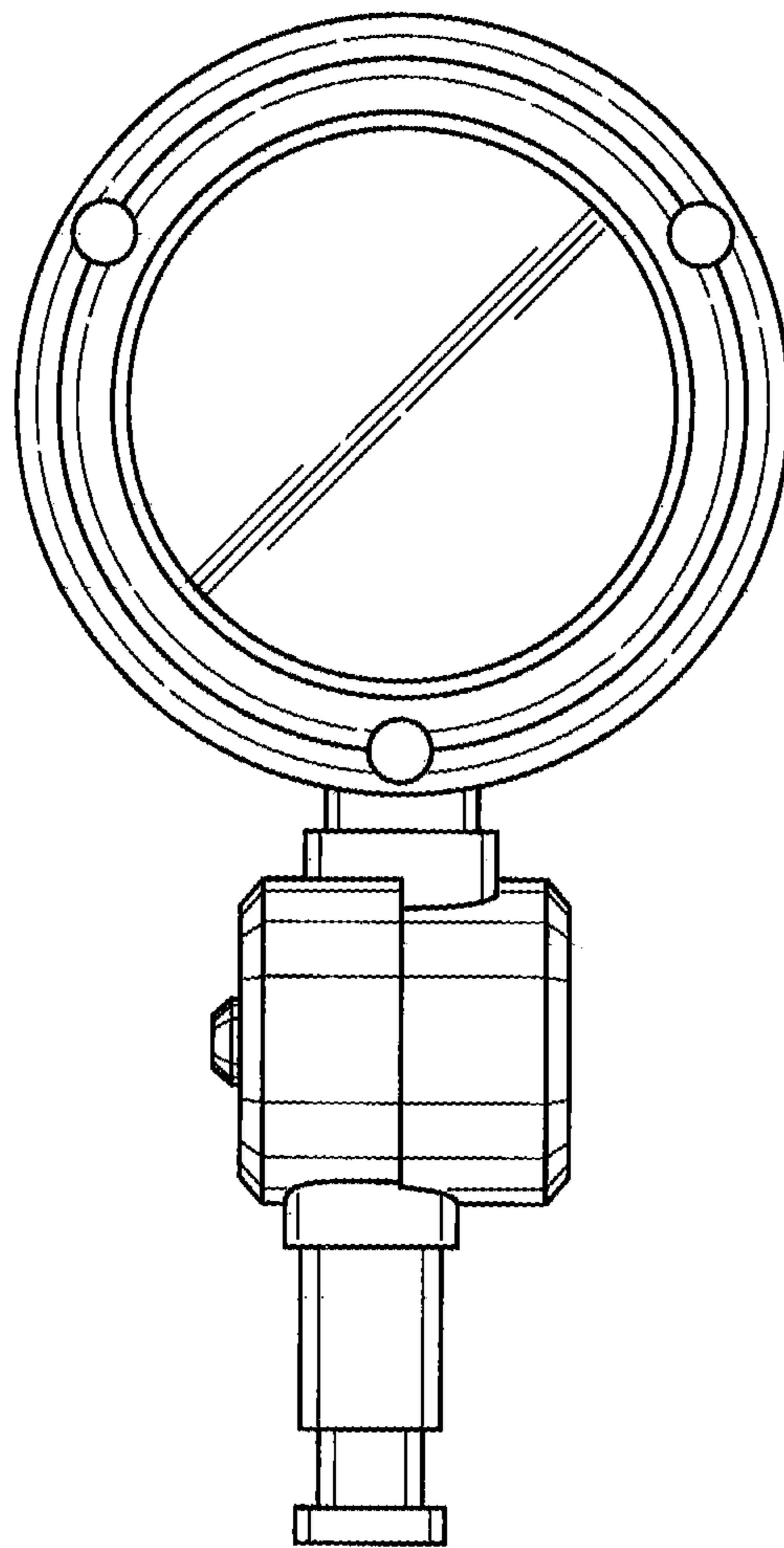


FIG. 7