



US00D810981S

(12) **United States Design Patent** (10) **Patent No.:** **US D810,981 S**
McRoberts (45) **Date of Patent:** **** Feb. 20, 2018**

(54) **CEILING FAN LIGHT ASSEMBLY**

(71) Applicant: **HUNTER FAN COMPANY**,
Memphis, TN (US)

(72) Inventor: **Claire Bernice McRoberts**, Memphis,
TN (US)

(73) Assignee: **Hunter Fan Company**, Memphis, TN
(US)

(**) Term: **15 Years**

(21) Appl. No.: **29/557,315**

(22) Filed: **Mar. 8, 2016**

(51) **LOC (11) Cl.** **26-05**

(52) **U.S. Cl.**
USPC **D26/59**; D26/89

(58) **Field of Classification Search**
USPC D23/377, 379, 385, 413, 411; D26/51,
D26/59, 67, 72, 85, 88-90, 113, 118, 120,
D26/124, 138; D3/304; D7/507, 523,
D7/532, 536, 509, 602; D34/1, 5, 7, 8, 9,
D34/10; D9/500-505
CPC F04D 25/088; F21V 33/0096
See application file for complete search history.

(56) **References Cited**

U.S. PATENT DOCUMENTS

244,883 A *	7/1881	Gantt	G01F 19/002
				217/75
D70,385 S *	6/1926	Rosenblatt	D26/89
D87,377 S *	7/1932	Andrews	D26/88
D271,427 S *	11/1983	de Vos	D26/85
D274,003 S *	5/1984	Johnson	D26/24
D277,701 S *	2/1985	deCandia	D26/67

(Continued)

OTHER PUBLICATIONS

<http://www.kichler.com/products/product/52-inch-lacey-ceiling-fan-ap-300181ap.aspx>, Item Specification for the Lacey Collection

52 Inch Lacey Ceiling Fan AP 300181AP (Antique Pewter),
accessed Mar. 7, 2016.

(Continued)

Primary Examiner — Cathron C Brooks

Assistant Examiner — Sharon S Oum

(74) *Attorney, Agent, or Firm* — McGarry Bair PC

(57) **CLAIM**

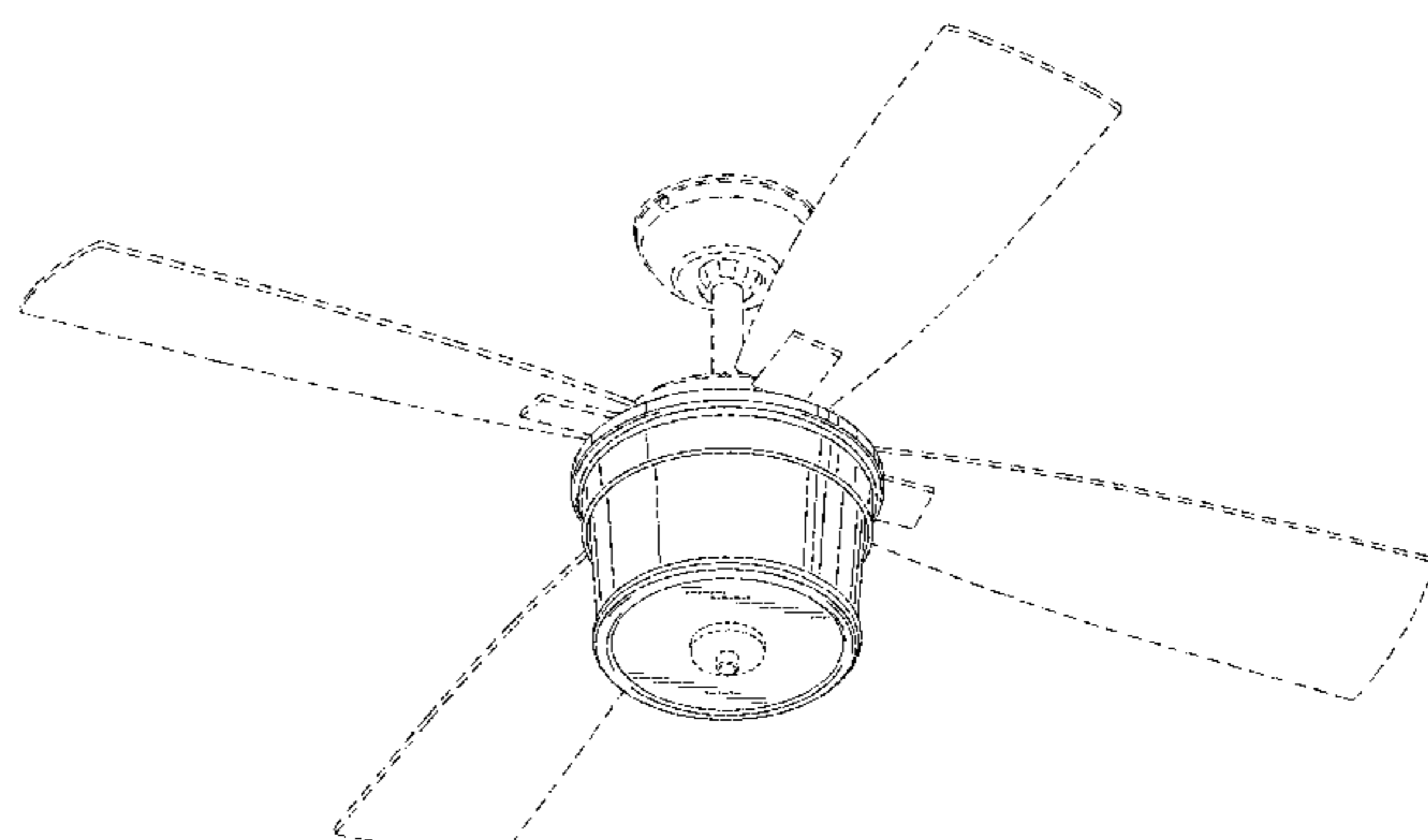
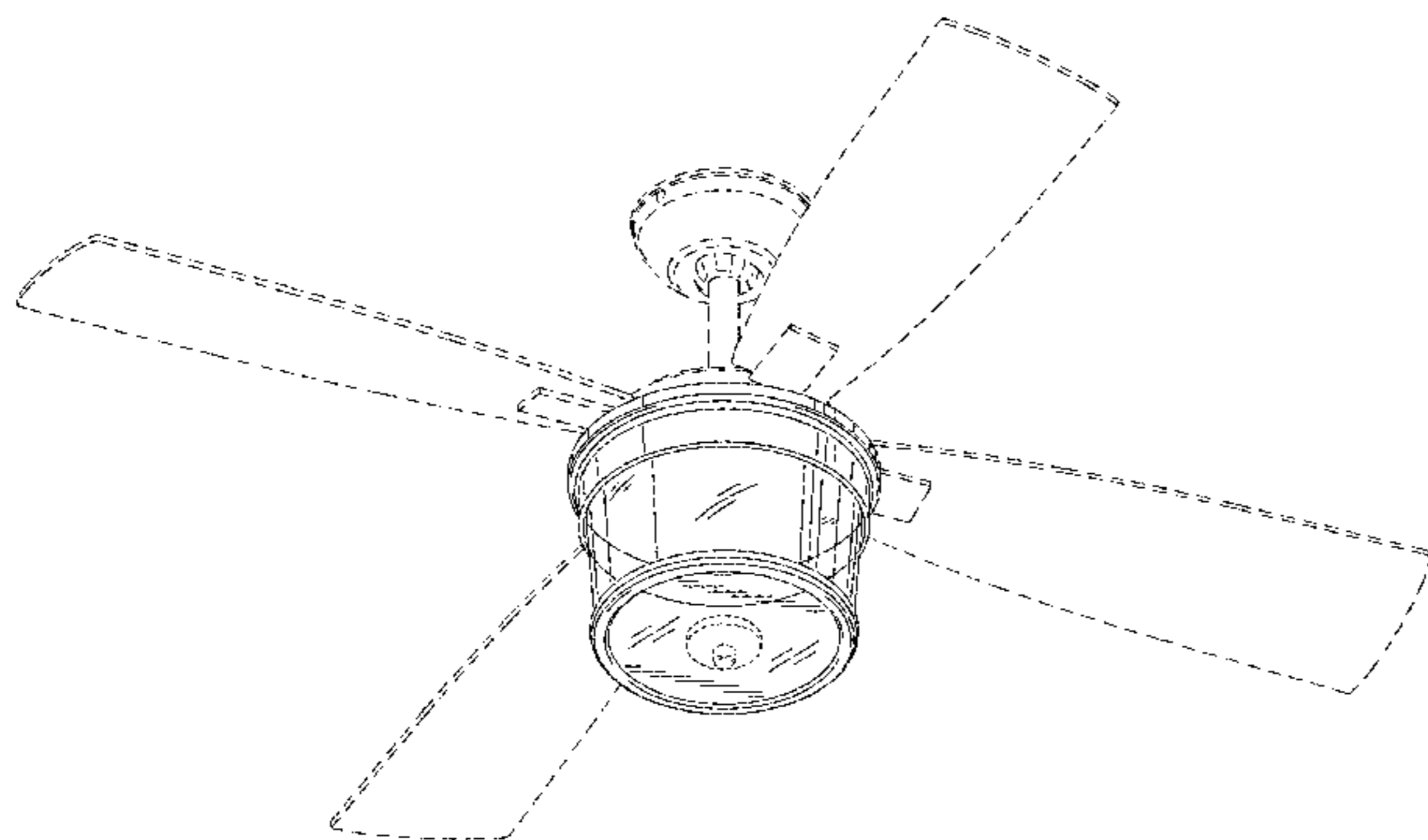
The ornamental design for a ceiling fan light assembly, as shown and described.

DESCRIPTION

FIG. 1 is a bottom perspective view of a ceiling fan light assembly according to a first embodiment of the invention; FIG. 2 is a top perspective view of the ceiling fan light assembly shown in FIG. 1, but in a detached position; FIG. 3 is a front view thereof, with the rear view being a mirror image thereof; FIG. 4 is a right side view thereof, with the left side view being a mirror image thereof; FIG. 5 is a top view thereof; FIG. 6 is a bottom view thereof; FIG. 7 is a bottom perspective view of a ceiling fan light assembly according to a second embodiment of the invention; FIG. 8 is a top perspective view of the ceiling fan light assembly of FIG. 7, but in detached position; FIG. 9 is a front view thereof, with the rear view being a mirror image thereof; FIG. 10 is a right side view thereof, with the left side view being a mirror image thereof; FIG. 11 is a top view thereof; and, FIG. 12 is a bottom view thereof.

The broken lines showing a ceiling fan illustrate the environment of the ceiling fan light assembly and form no part of the claimed design. The remaining broken lines, showing portions of the ceiling fan light assembly, form no part of the claimed design.

1 Claim, 11 Drawing Sheets



(56)

References Cited

U.S. PATENT DOCUMENTS

D292,313 S * 10/1987 Kawai D23/377
 D294,645 S * 3/1988 Ewing D26/24
 D294,871 S * 3/1988 Ewing D26/85
 D297,974 S * 10/1988 Sonneman D23/377
 5,655,877 A * 8/1997 Yu F04D 25/088
 5,672,048 A * 9/1997 Yu F04D 25/088
 6,022,189 A * 2/2000 Yu F04D 25/088
 D430,930 S * 9/2000 Zuege D23/377
 D459,525 S * 6/2002 Barry D26/73
 D504,173 S * 4/2005 Frederick
 D546,140 S * 7/2007 Anzalone D7/602
 D547,483 S * 7/2007 Pickett
 D552,930 S * 10/2007 Huffman D7/523
 D553,239 S * 10/2007 Wang D23/411
 D558,384 S * 12/2007 Bickler D26/88
 D558,386 S * 12/2007 Bickler D26/89
 D567,021 S * 4/2008 Bach D7/387
 D577,288 S * 9/2008 Wilson D9/428
 D578,243 S * 10/2008 Salatto-Rose D26/89
 D603,954 S * 11/2009 Curtin D23/411
 D603,955 S * 11/2009 Patton D23/411
 D605,332 S * 12/2009 Miranda D26/88
 D613,890 S * 4/2010 Chen D26/59
 D638,158 S * 5/2011 Glasbrenner D26/59
 D643,172 S * 8/2011 Kraemer D34/1
 D646,824 S * 10/2011 Bembridge D26/67
 D652,266 S * 1/2012 Smyers D7/630
 D685,521 S * 7/2013 Liang D26/118
 D695,110 S * 12/2013 Houlton D9/500
 D698,649 S * 2/2014 Quint D7/400
 D710,489 S * 8/2014 Shurtleff D23/377
 D710,490 S * 8/2014 Shurtleff D23/411
 D715,649 S * 10/2014 O'Brien D9/500
 D732,390 S * 6/2015 Trombetta D9/428
 D742,221 S * 11/2015 Casiddu D9/500
 D744,082 S * 11/2015 Wang D23/411
 D744,634 S * 12/2015 Wang D23/411
 D746,641 S * 1/2016 Panone D7/602
 D755,438 S * 5/2016 Kimmet D26/118
 D760,036 S * 6/2016 Hucuptan D9/416
 D761,108 S * 7/2016 Trombetta D9/503
 D770,286 S * 11/2016 Trombetta D9/503
 D771,794 S * 11/2016 Wang D23/411
 D771,795 S * 11/2016 Wang D23/411
 D782,644 S * 3/2017 Wang D23/377
 D782,876 S * 4/2017 Rebmann D7/509
 D788,286 S * 5/2017 Busta D23/411

D790,277 S * 6/2017 Mackesy, II D7/507
 D792,637 S * 7/2017 Godlewski D26/118
 D795,410 S * 8/2017 Holmes D23/377
 D798,663 S * 10/2017 Matsui D7/507
 2008/0089791 A1 * 4/2008 Cartwright F04D 25/088
 416/244 R

OTHER PUBLICATIONS

<http://www.fanimation.com/products/index.php/fans/stafford.html>,
 Item Specification for the Fanimation Stafford Model No. PL8274,
 accessed Mar. 7, 2016.
<http://www.montecarlofans.com/32464/52-Dakota-Fan—Espresso-5DKR52ESD.html>,
 Item Specification for the Monte Carlo Dakota
 Collection Product #: 5DKR52ES, accessed Mar. 7, 2016.
<http://www.hunterfan.com/Ceiling-Fans/Acadia?ModelNumber=59171>,
 Item Specification for the Hunter
 Acadia 46" ceiling Fan Model No. 59171 Brushed Nickel Finish,
 accessed Mar. 7, 2016.
<http://www.homedepot.com/p/Hampton-Bay-Tipton-II-52-in-Oil-Rubbed-Bronze-Ceiling-Fan-AL995-ORB/203786413>,
 Item Specification for the Hampton Bay Tipton Model # AL995-ORB
 Internet # 203786413 Tipton II 52 in. Oil-Rubbed Bronze Ceiling
 Fan, accessed Mar. 7, 2016.
<http://www.craftmade.com/Craftmade-MO56CH4-Chrome-Ceiling-Fan.HTM>,
 Item Specification for the Craftmade Midoro Model
 No. MO56CH4—Midoro 56" Ceiling Fan Blades Included in
 Chrome with Matte Opal Glass, accessed Mar. 7, 2016.
<http://www.kichler.com/products/product/54-inch-porters-lake-fan-mdw-310110mdw.aspx>,
 Item Specification for the Kichler Porters
 Lake Fan 54 Inch Porters Lake Fan MDW 310110MDW (Mediterranean
 Walnut), accessed Mar. 7, 2016.
<http://www.menards.com/main/outdoor-ceiling-fans/turn-of-the-century-reg-tory-52-outdoor-ceiling-fan/p-1444424531590-c-7487.htm?tid=-8175241966496830842>,
 Item Specification for the Turn
 of the Century Tory 52" Outdoor Ceiling Fan Model No. 35058,
 Menards® SKU: 3557017, accessed Mar. 7, 2016.
<http://www.kichler.com/products/product/52-lyndon-patio-ceiling-fan-oz-310139oz.aspx>,
 Item Specification for the Kichler Lyndon
 52" Lyndon Patio Ceiling Fan OZ 310139OZ (Olde Bronze),
 accessed Mar. 7, 2016.
<http://www.minkagroup.net/products/f524-dk>,
 Item Specification
 for the Minka Roto 52" 3 Blade Ceiling Fan in Distressed Koa
 Finish with Distressed Koa Blades Model No. F524-DK, accessed
 Mar. 7, 2016.
<http://ceilingfans.emerson.com/shop/en/fan/fans-s-emerson-fans/fans-s-contemporary/4th-avenue-fan-p-cf766>,
 Item Specification for
 the Emerson 4th Model No. CF766ORB, accessed Mar. 7, 2016.

* cited by examiner

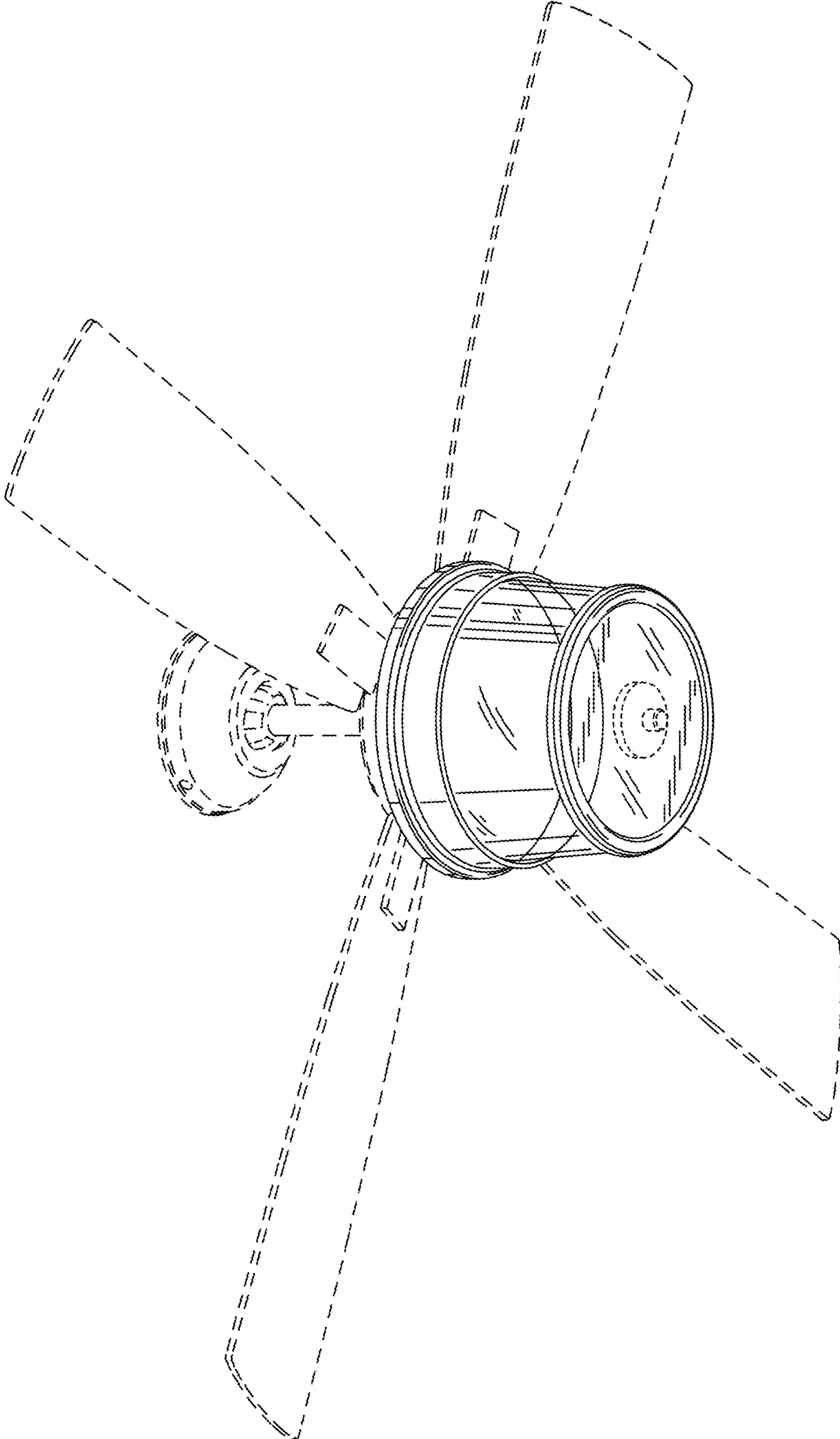


FIG. 1

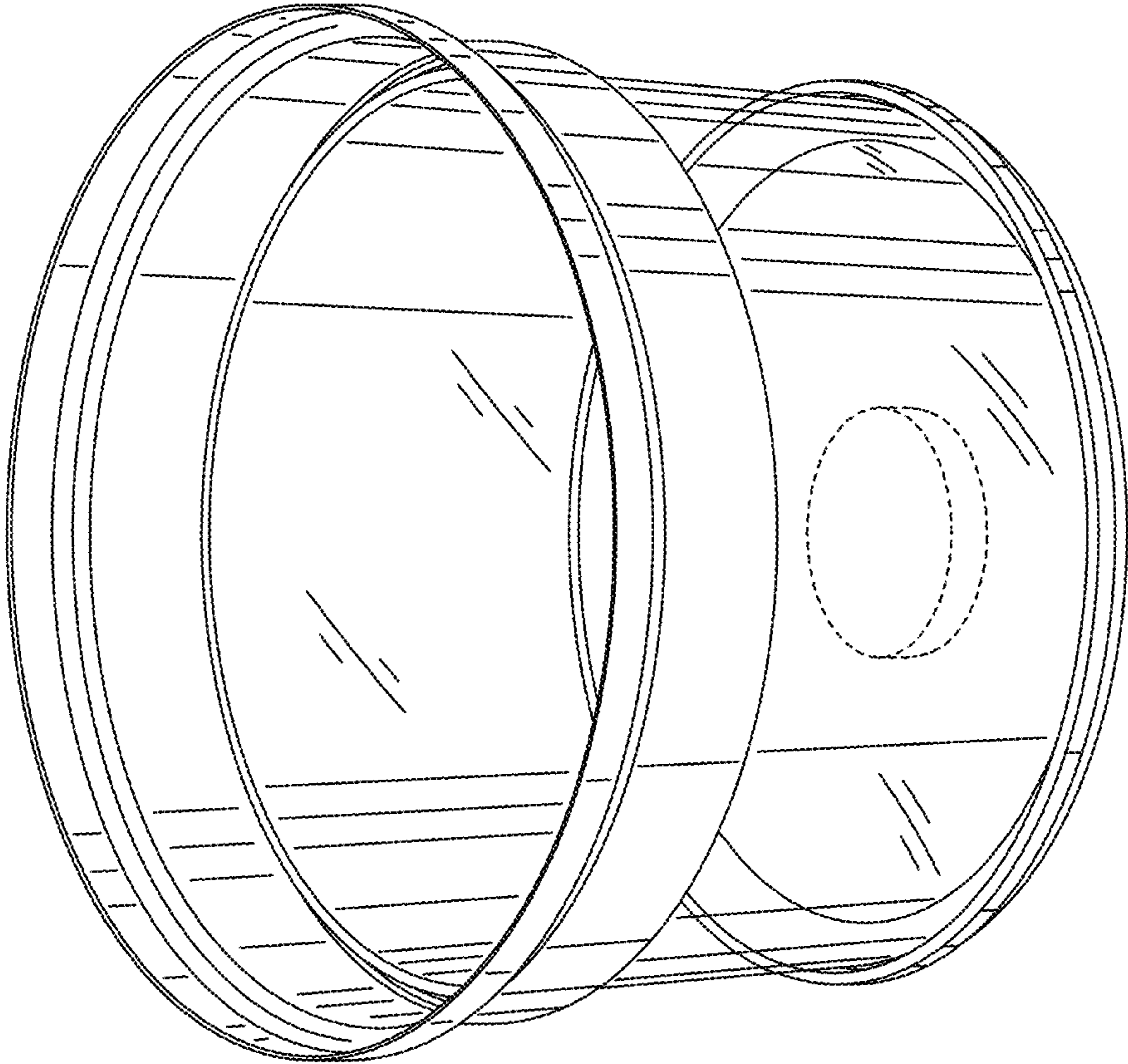


FIG. 2

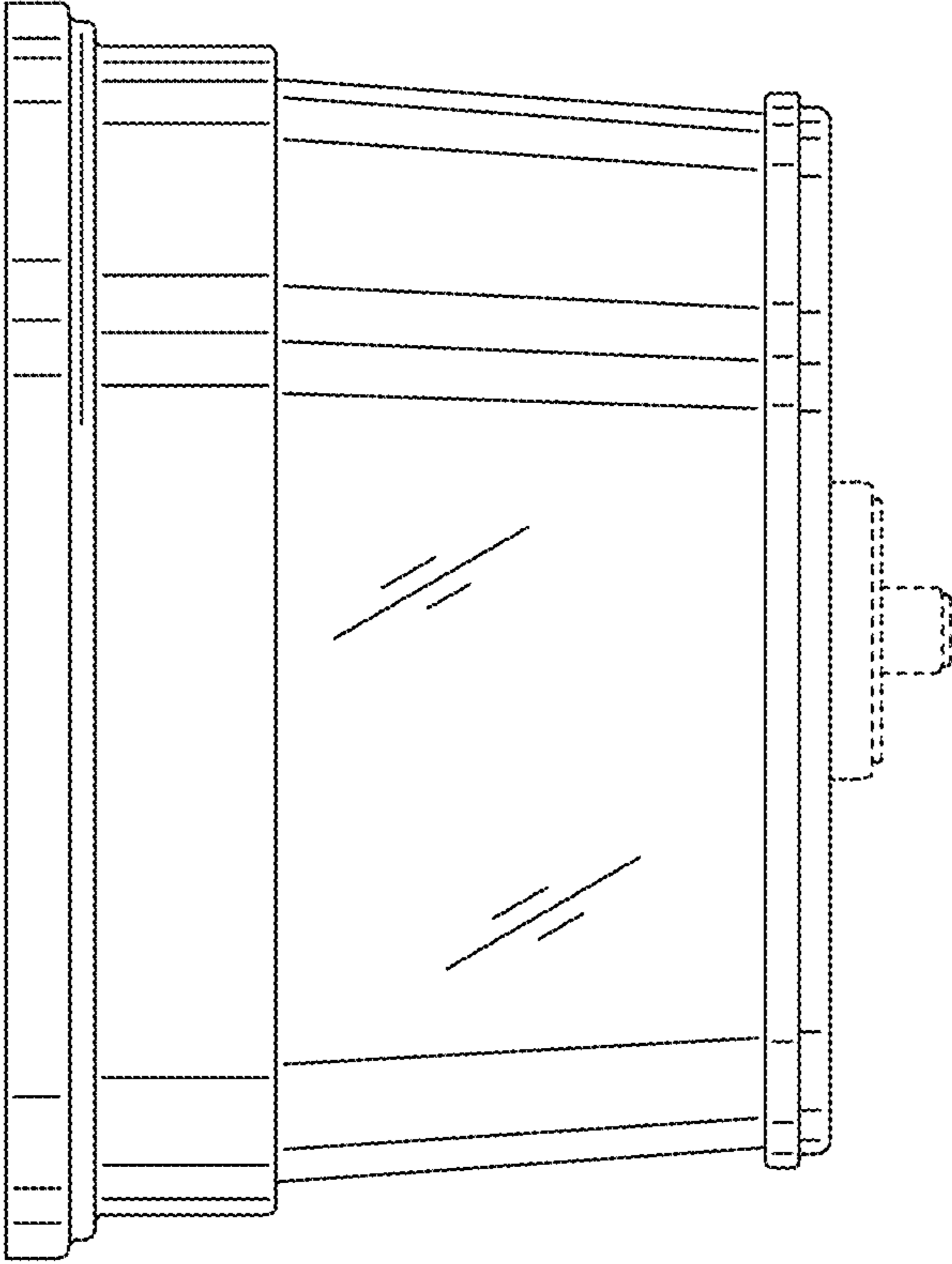


FIG. 3

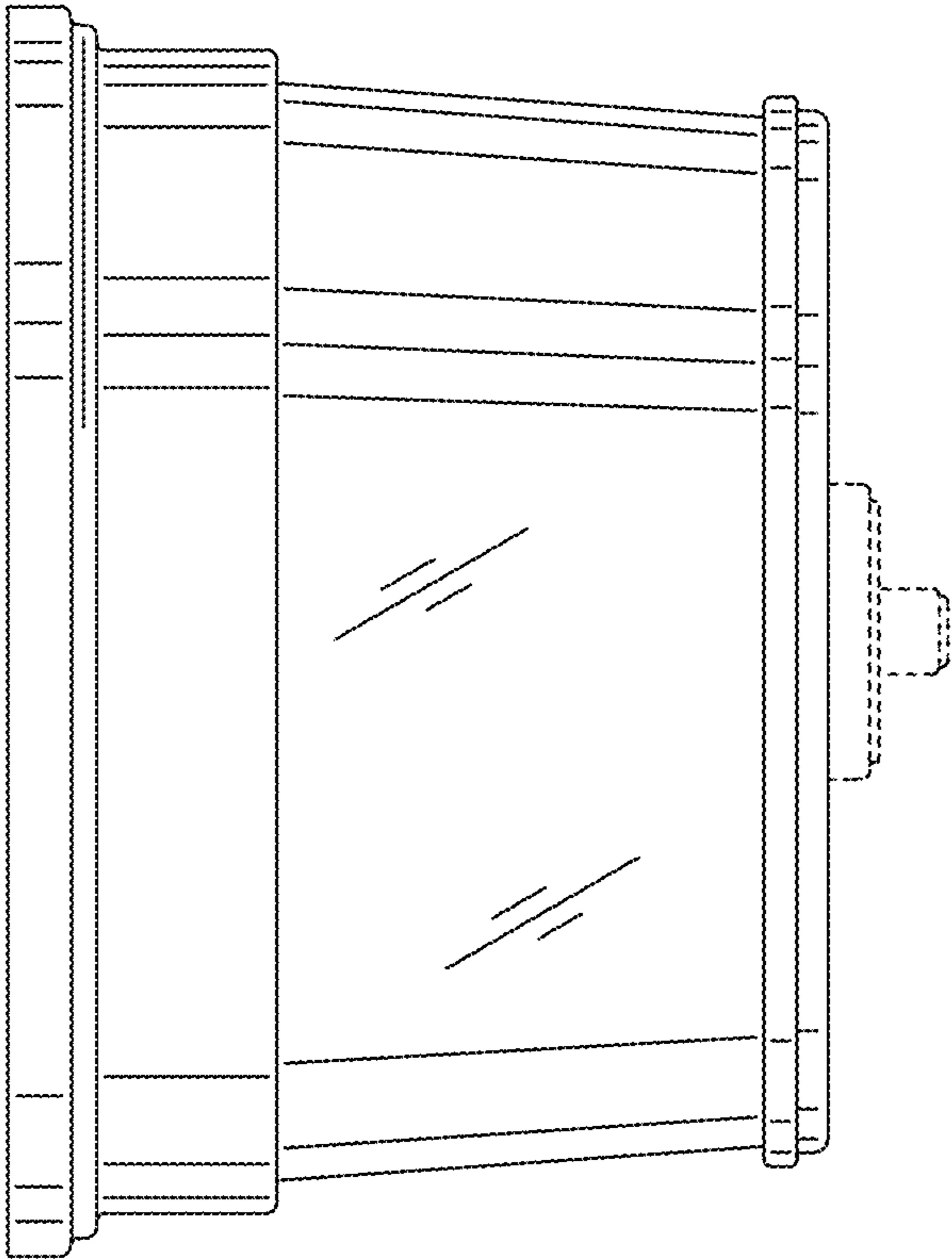


FIG. 4

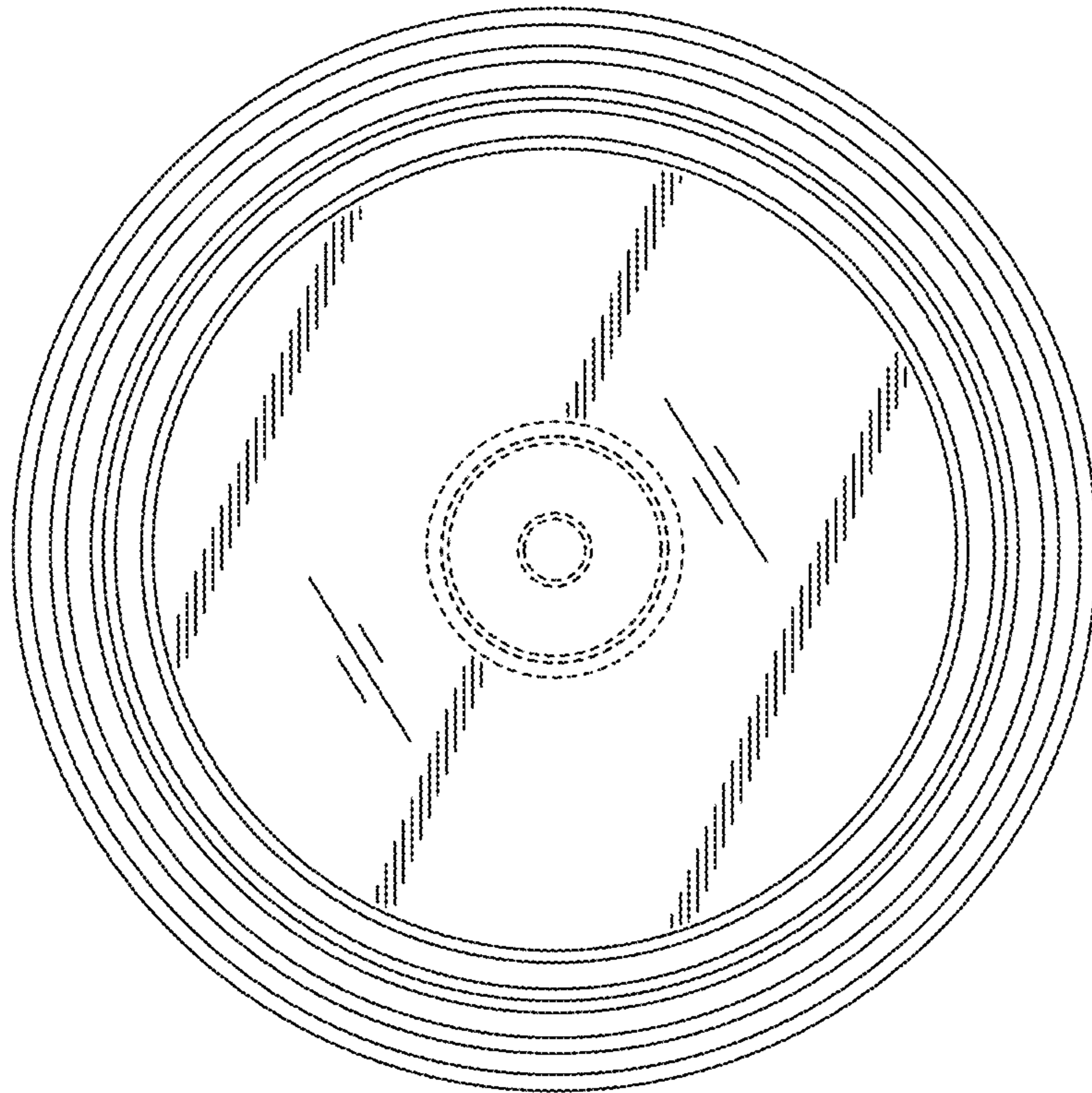


FIG. 5

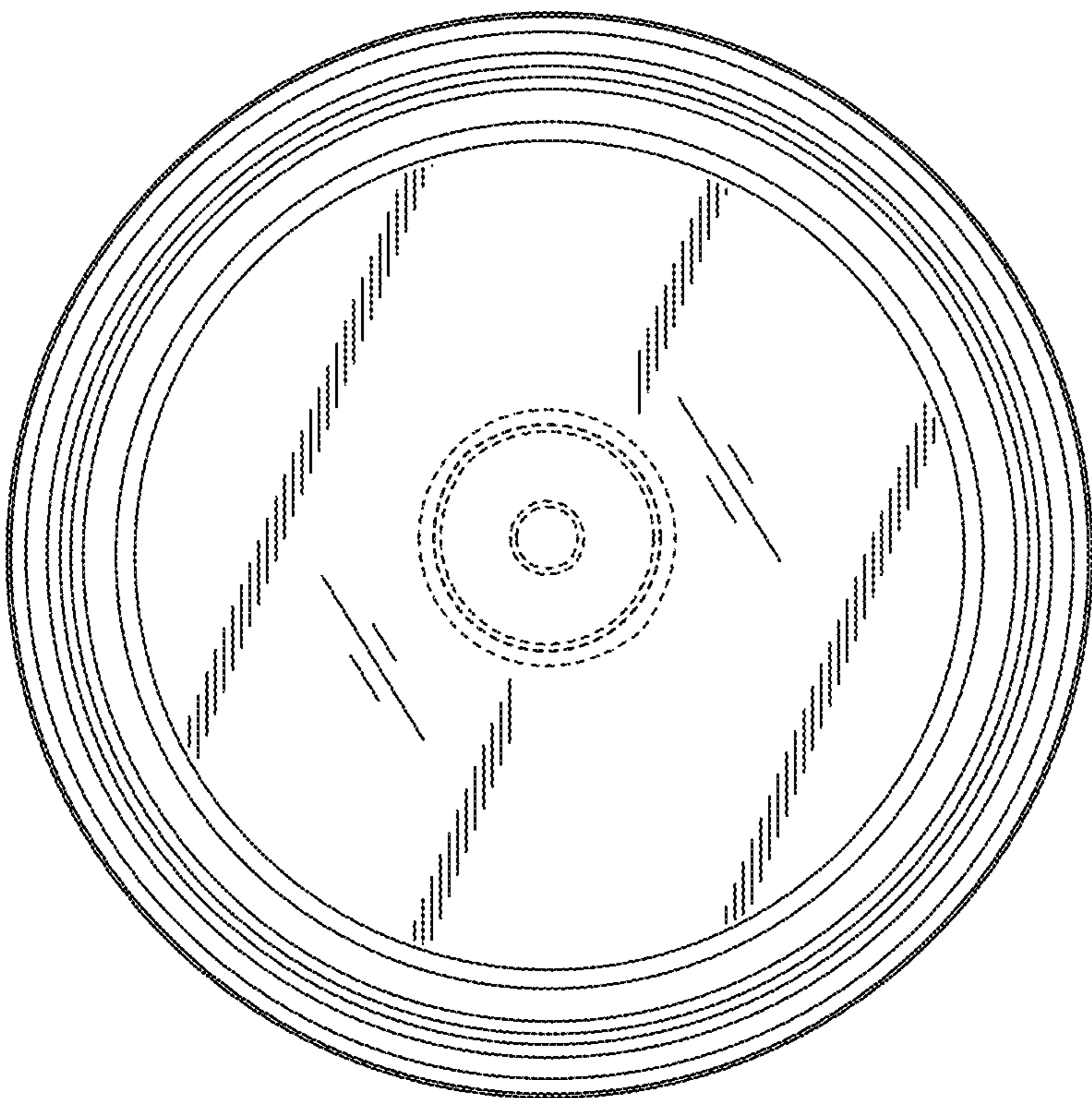


FIG. 6

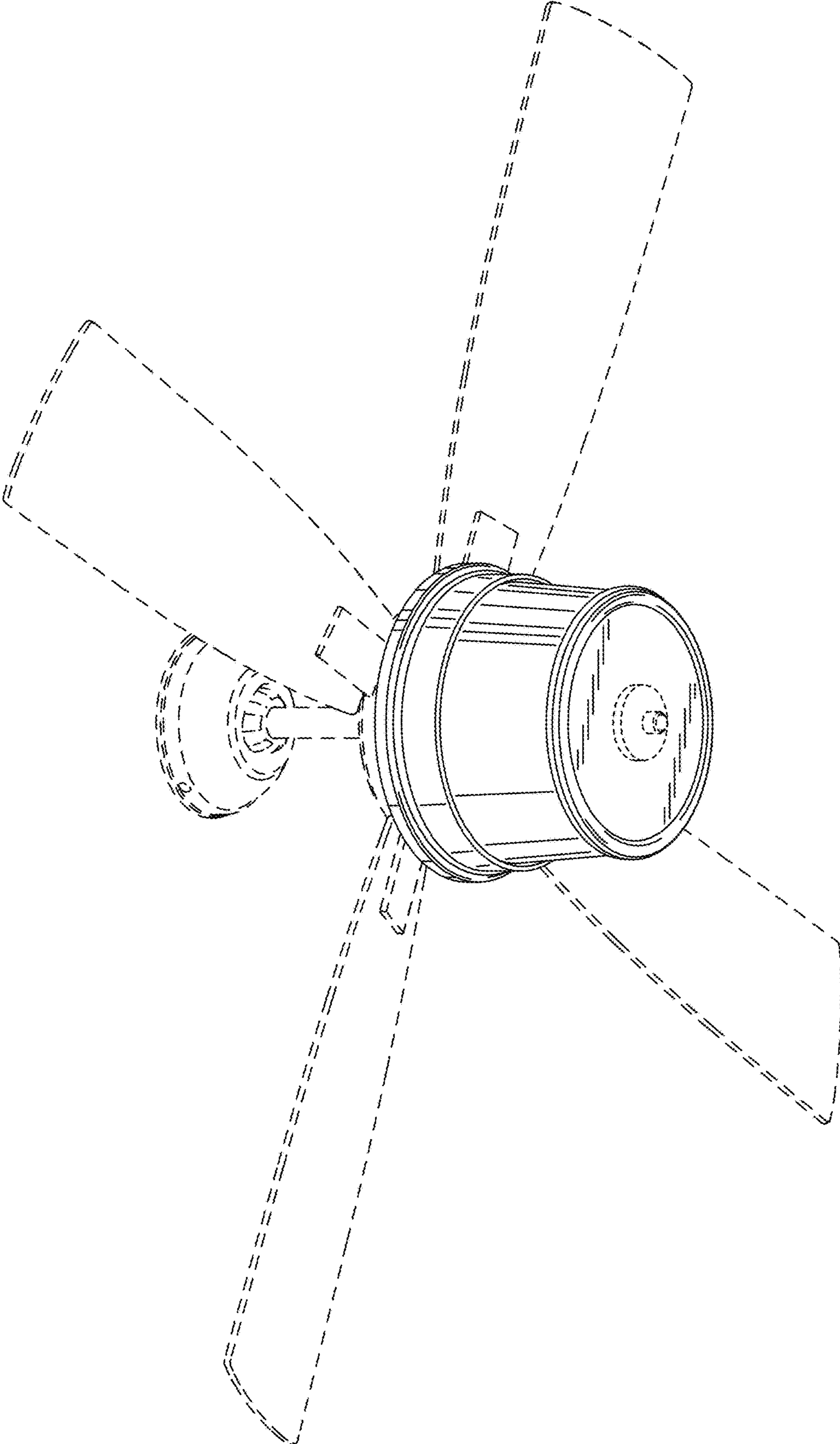


FIG. 7

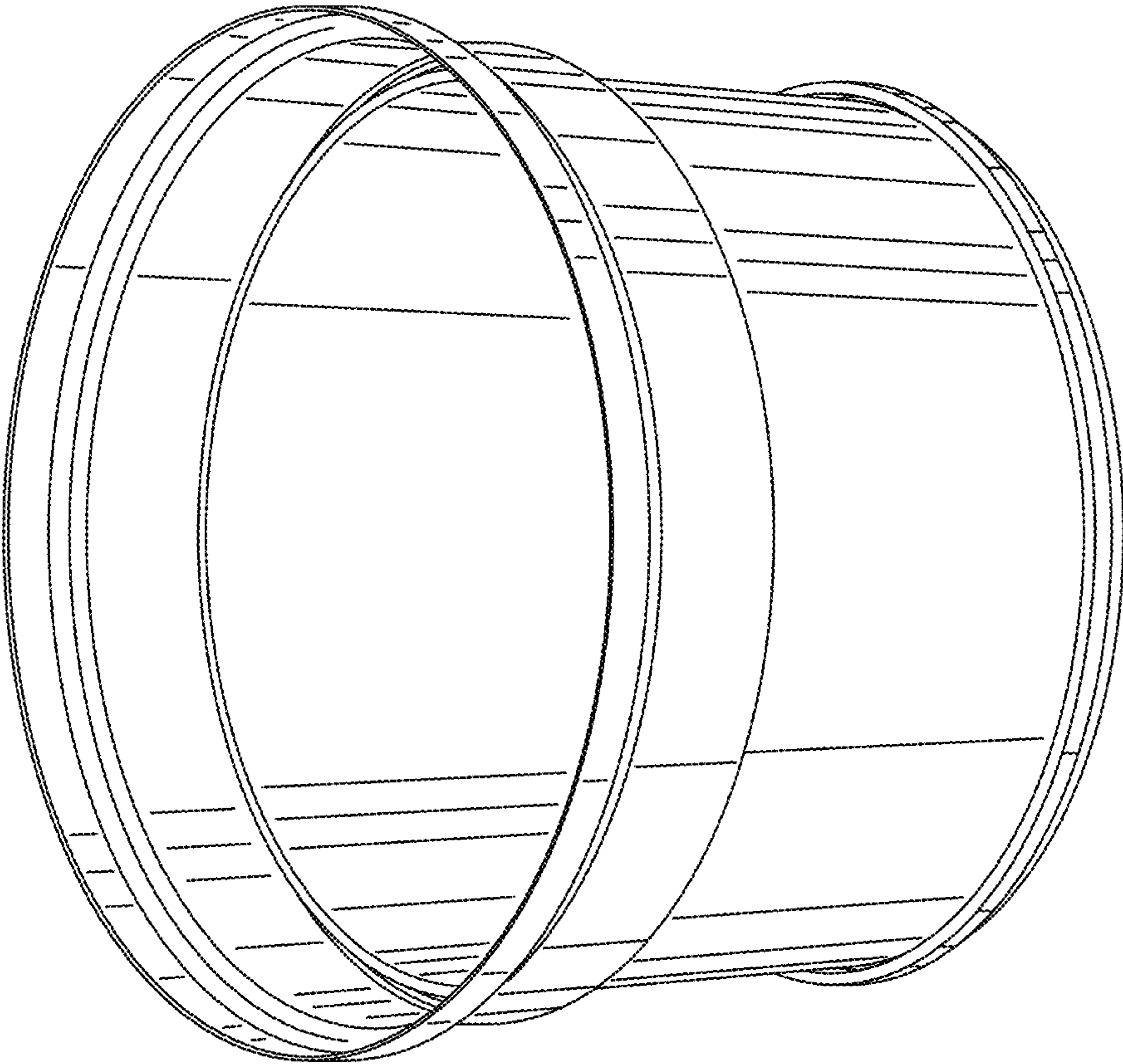


FIG. 8

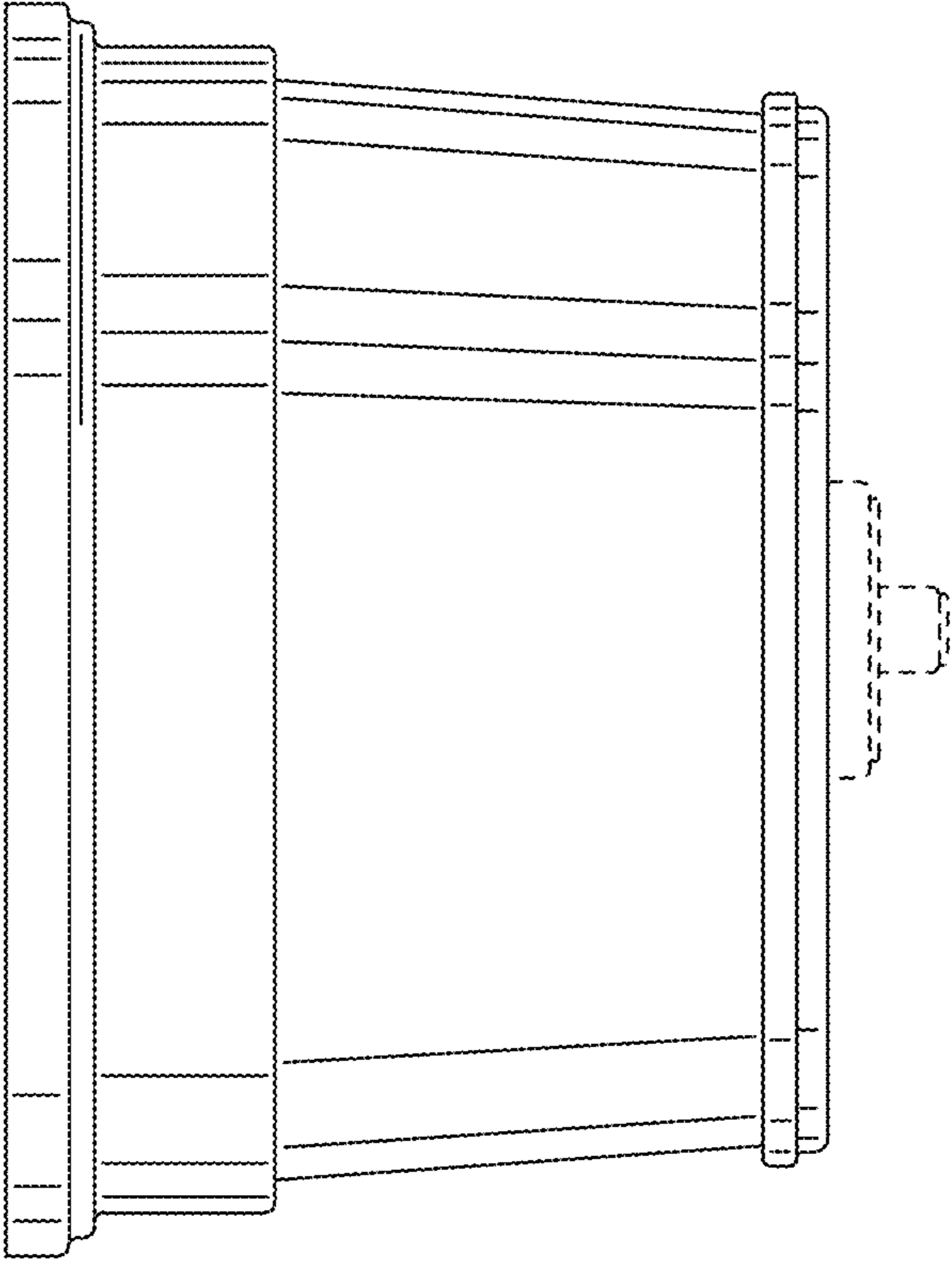


FIG. 9

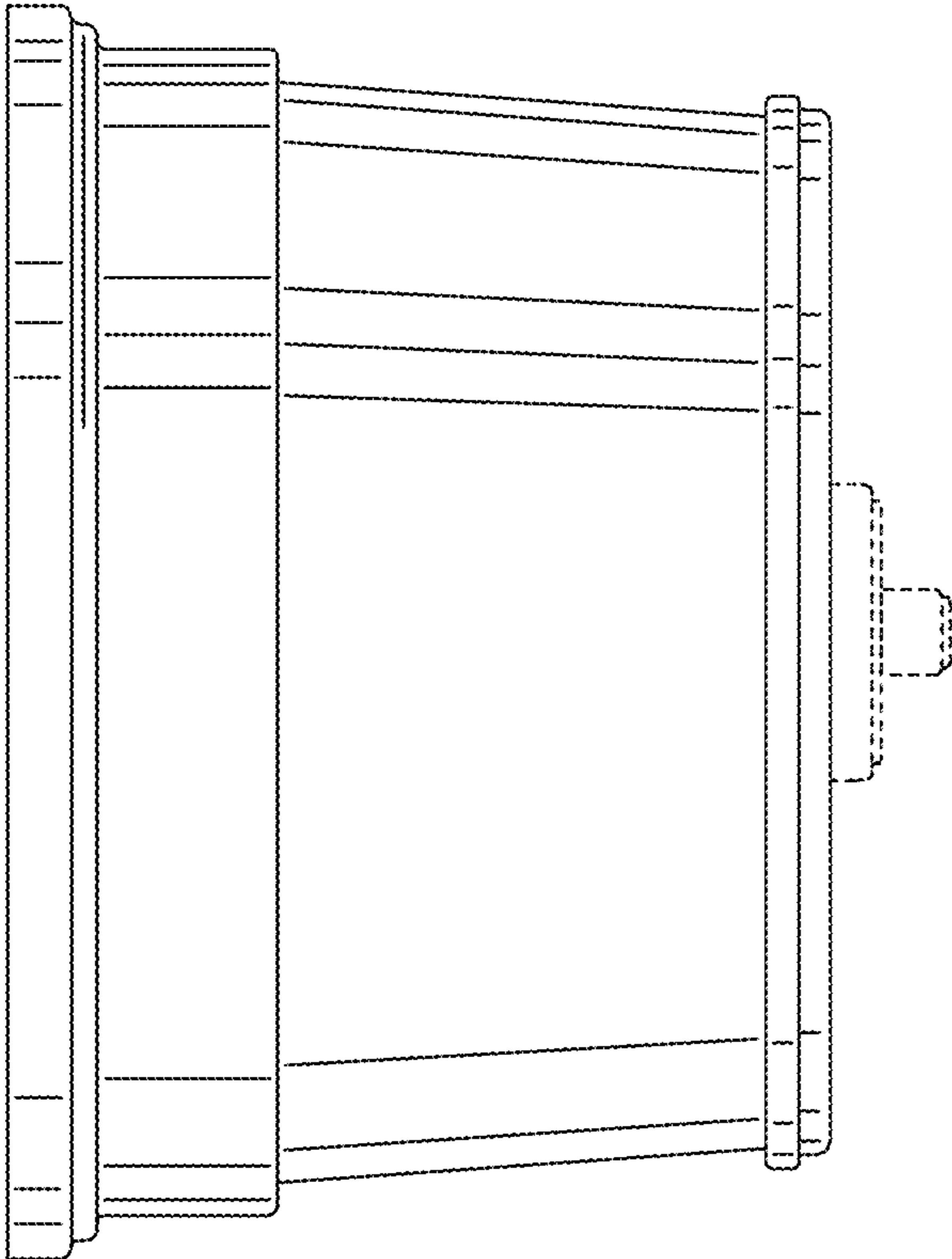


FIG. 10

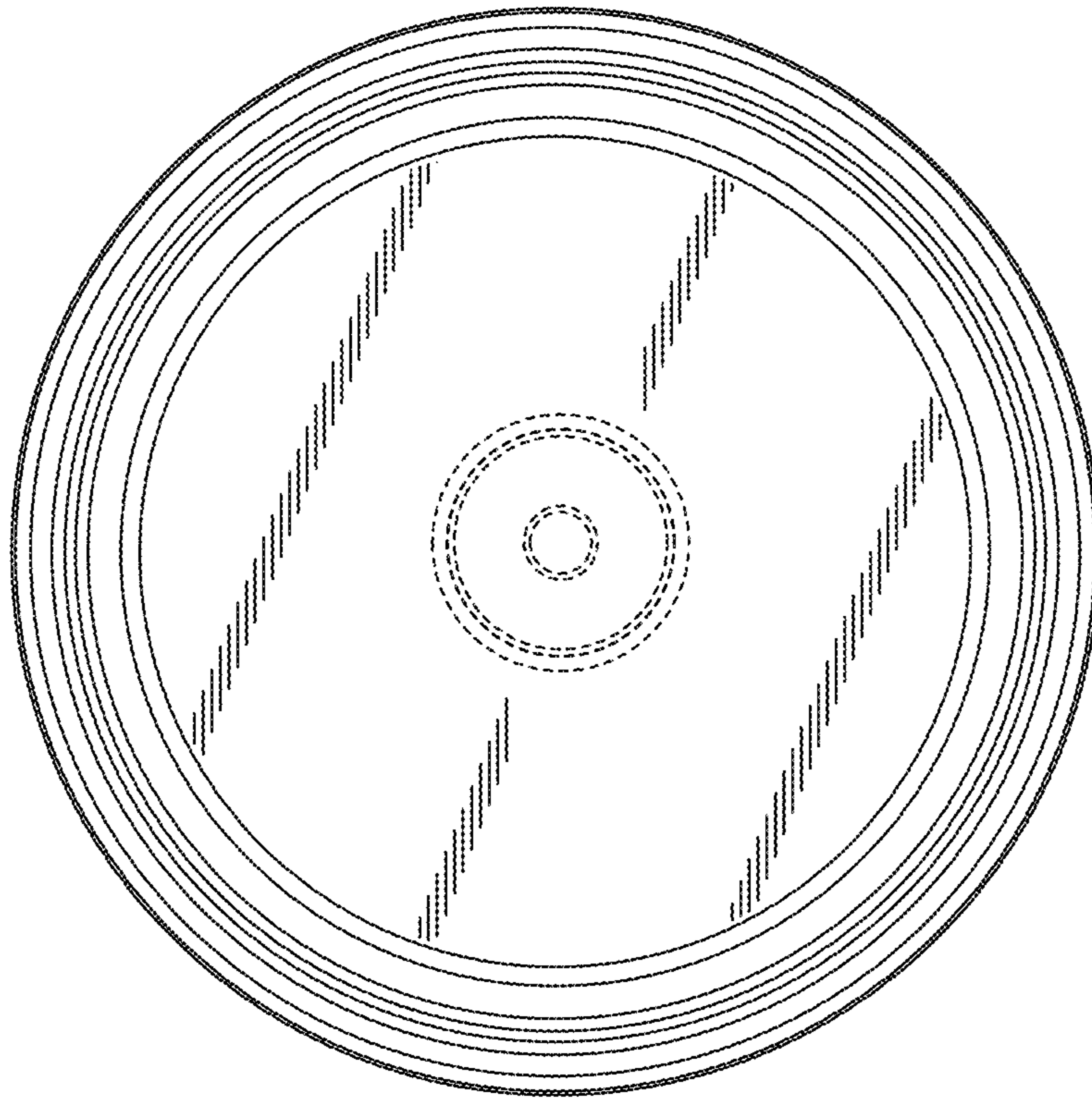


FIG. 11

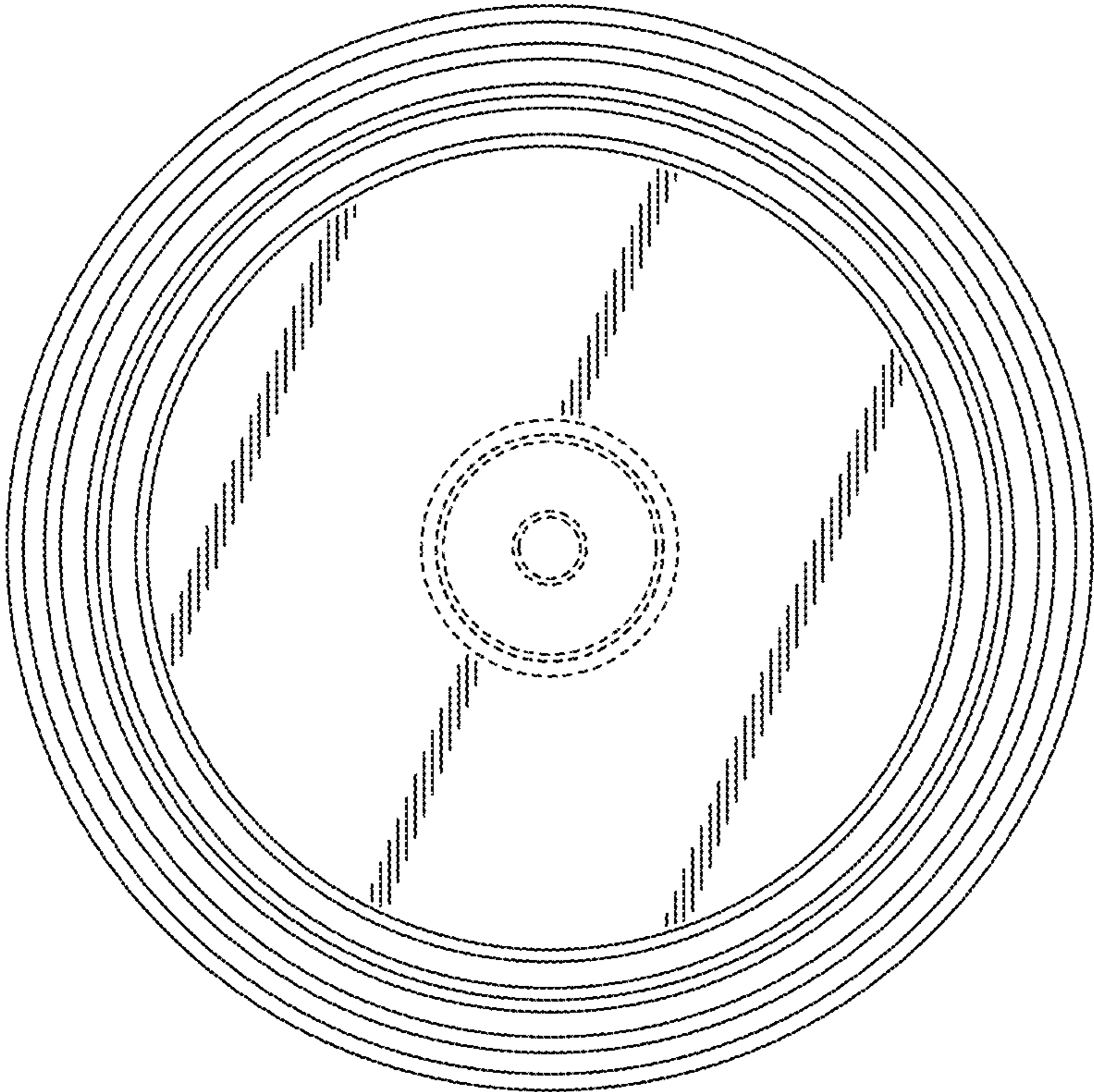


FIG. 12