



US00D810980S

(12) **United States Design Patent** (10) **Patent No.:** **US D810,980 S**  
**Rosandick et al.** (45) **Date of Patent:** **\*\* Feb. 20, 2018**

(54) **FLASHLIGHT**  
(71) Applicant: **Spectrum Brands, Inc.**, Middleton, WI (US)  
(72) Inventors: **Alexander I. Rosandick**, Madison, WI (US); **Seung Il Kim**, Madison, WI (US)  
(73) Assignee: **Spectrum Brands, Inc.**, Middleton, WI (US)  
(\*\*) Term: **15 Years**

D375,811 S 11/1996 Hon  
D378,434 S \* 3/1997 Petterson ..... D26/44  
D404,840 S 1/1999 Van Deursen et al.  
D428,506 S 7/2000 Garrity et al.  
D429,015 S 8/2000 Garrity et al.  
D441,889 S \* 5/2001 Austin ..... D26/63  
D456,544 S 4/2002 Harris et al.  
D466,392 S \* 12/2002 Halajko ..... D8/306  
D472,339 S \* 3/2003 Russello ..... D26/63  
D479,015 S \* 8/2003 Tang ..... D26/63  
D513,811 S 1/2006 Lai  
D534,288 S 12/2006 Krieger et al.  
D536,464 S 2/2007 Kingston et al.

(Continued)

(21) Appl. No.: **29/563,249**  
(22) Filed: **May 3, 2016**  
(51) **LOC (11) Cl.** ..... **26-02**  
(52) **U.S. Cl.**  
USPC ..... **D26/44**  
(58) **Field of Classification Search**  
USPC ..... D26/43, 44, 45, 48, 49, 50, 51, 62, 63,  
D26/71, 89; 362/199, 296.07, 311.09,  
362/197, 202, 285, 287, 296.08, 311.07,  
362/311.08; D8/25, 56, 306  
CPC ..... F21V 21/30; F21V 17/107; F21L 26/00;  
F21L 23/00; F21L 17/00; F21L 2005/00  
See application file for complete search history.

FOREIGN PATENT DOCUMENTS

EM 001035828-0001 11/2008  
EM 001035828-0002 11/2008

*Primary Examiner* — Laikya G Rogers  
*Assistant Examiner* — Altaira J Swangin  
(74) *Attorney, Agent, or Firm* — Banner & Witcoff, Ltd.

(57) **CLAIM**

The ornamental design for a flashlight, as shown and described.

(56) **References Cited**

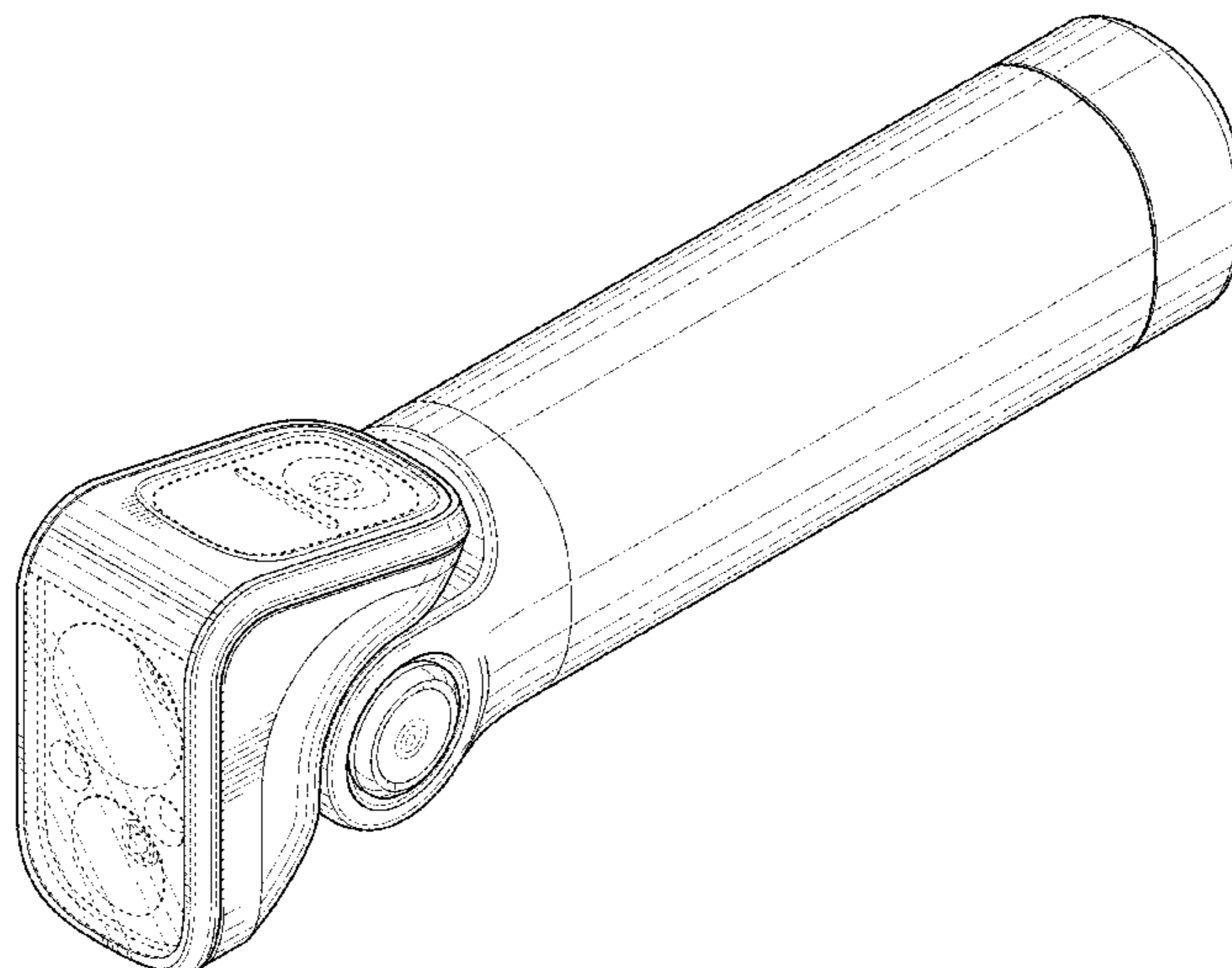
U.S. PATENT DOCUMENTS

1,453,607 A \* 5/1923 Saucier ..... B25B 13/465  
81/124.3  
D119,792 S \* 4/1940 Pieper ..... D26/63  
D130,258 S \* 11/1941 Tucker ..... D16/225  
2,798,404 A \* 7/1957 Schaefer ..... F16B 37/16  
16/110.1  
D201,038 S \* 5/1965 Sullivan ..... D26/61  
D212,498 S \* 10/1968 Collings ..... D26/44  
D241,972 S \* 10/1976 Gilbert ..... D26/44  
D254,094 S \* 1/1980 Jaksich ..... D26/63  
4,739,457 A \* 4/1988 Orr ..... F21L 15/02  
362/190  
D333,008 S \* 2/1993 Frost ..... D26/63

**DESCRIPTION**

FIG. 1 is a front perspective view of a flashlight showing our new design;  
FIG. 2 is a right side view thereof;  
FIG. 3 is a left side view thereof;  
FIG. 4 is a top view thereof;  
FIG. 5 is a bottom view thereof;  
FIG. 6 is a front view thereof; and,  
FIG. 7 is a rear view thereof.  
The broken lines showing various regions of the flashlight represent unclaimed subject matter and form no part of the claimed design.

**1 Claim, 7 Drawing Sheets**



(56)

**References Cited**

## U.S. PATENT DOCUMENTS

D541,463	S *	4/2007	Tortel .....	D26/63
D552,279	S	10/2007	Osiecki et al.	
D552,280	S	10/2007	Osiecki et al.	
D563,005	S	2/2008	Oles et al.	
D565,223	S *	3/2008	Guercio .....	D26/63
D586,026	S *	2/2009	Hanson .....	D26/61
D597,690	S	8/2009	Yamamoto	
D605,795	S	12/2009	Baker et al.	
D607,591	S	1/2010	Rivera et al.	
D648,478	S *	11/2011	Yu .....	D26/118
D658,326	S *	4/2012	Lai .....	D26/63
D658,800	S *	5/2012	Lai .....	D26/63
D677,412	S	3/2013	Smith	
D695,435	S *	12/2013	Pedersen .....	D26/63
D700,985	S *	3/2014	Lindsley .....	D26/63
D702,387	S *	4/2014	Pedersen .....	D26/63
D703,356	S	4/2014	Grandadam	
D705,468	S	5/2014	Tompkin	
D707,869	S	6/2014	Wu	
D736,983	S *	8/2015	Dal Ponte .....	D26/71
D737,490	S	8/2015	Tompkin	
D750,303	S	2/2016	Levy et al.	
D757,976	S *	5/2016	Eustace .....	D26/63
D757,977	S *	5/2016	Eustace .....	D26/63
9,534,770	B2 *	1/2017	Lin .....	F21V 15/04
9,546,783	B2 *	1/2017	Lo .....	F21S 2/005
D784,599	S *	4/2017	Sibitzky .....	D26/118
9,739,462	B2 *	8/2017	Georgitsis .....	F21V 5/007
9,772,102	B1 *	9/2017	Ferguson .....	F21V 33/0008
2011/0149562	A1 *	6/2011	Spartano .....	F21L 4/027 362/197

\* cited by examiner

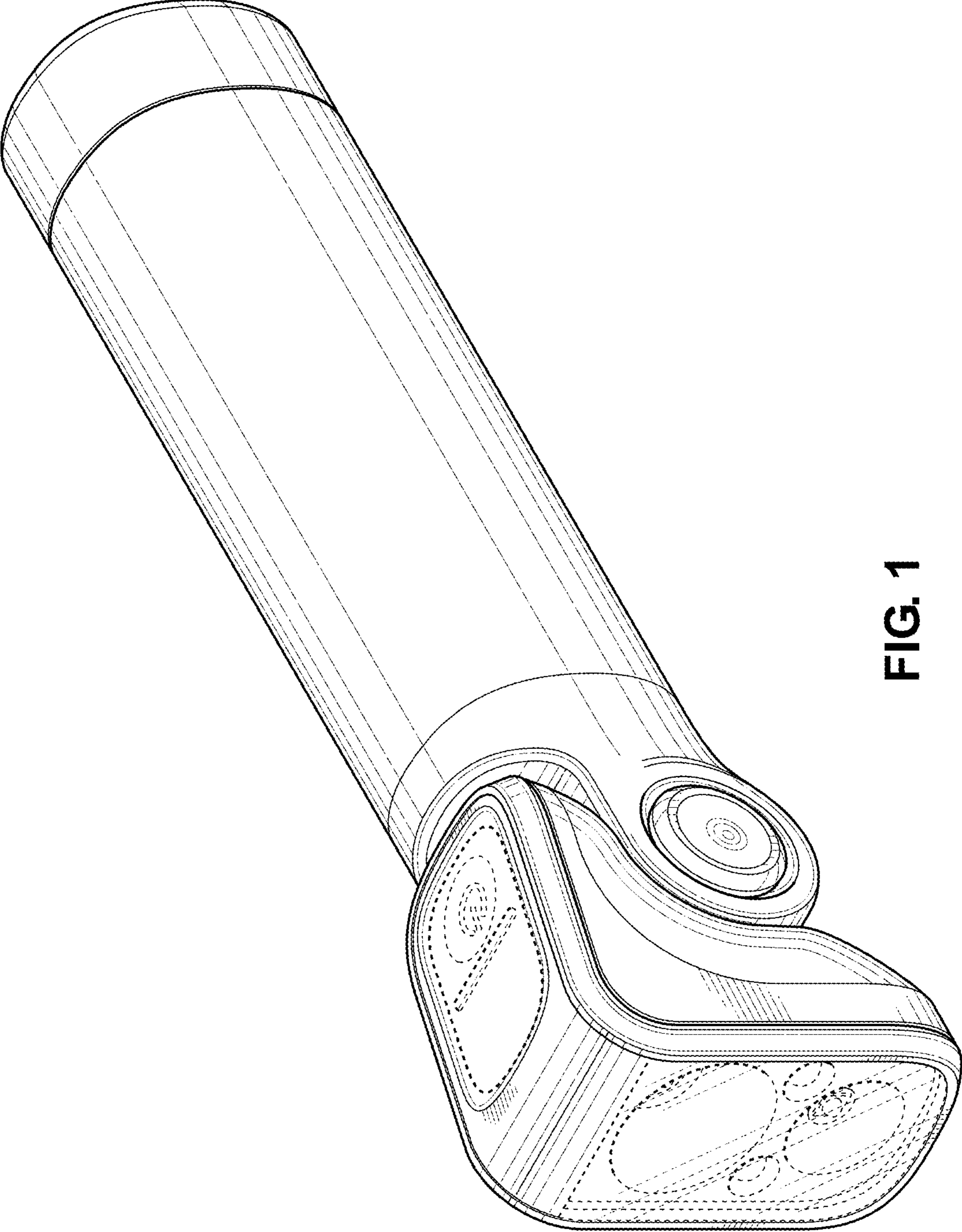


FIG. 1

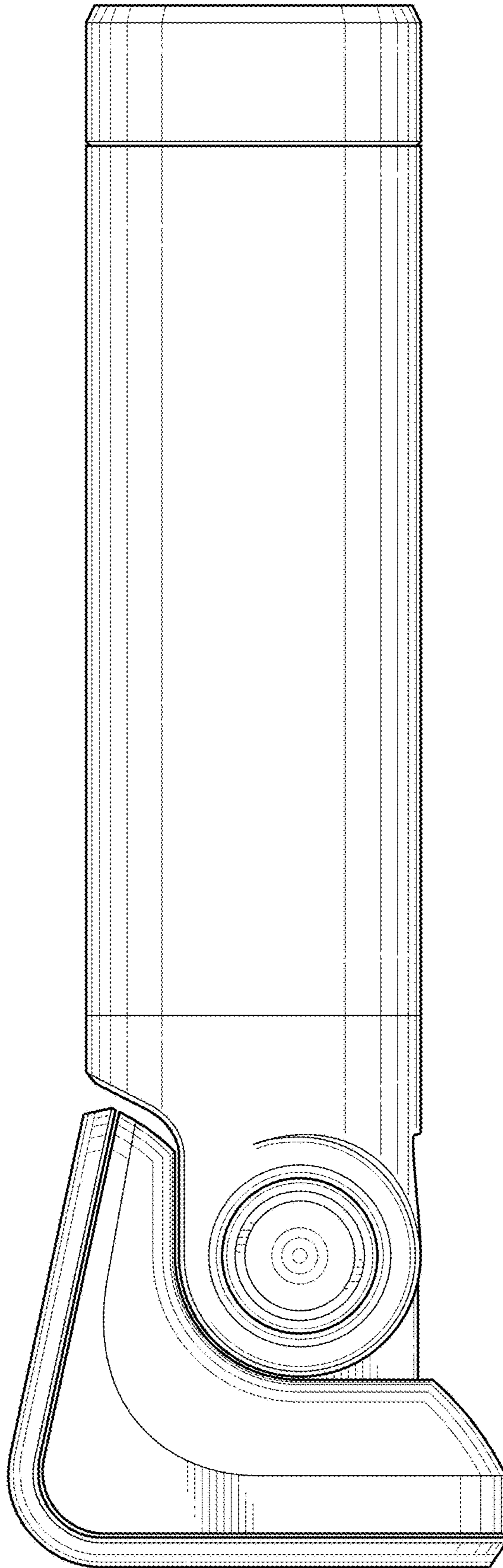


FIG. 2

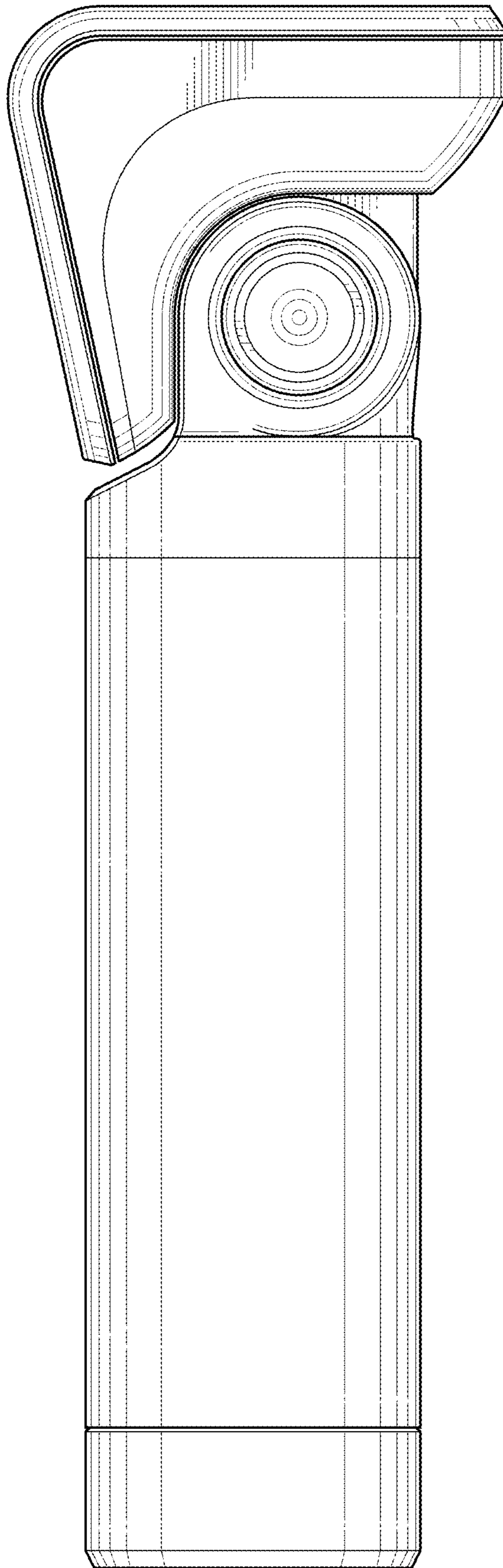


FIG. 3

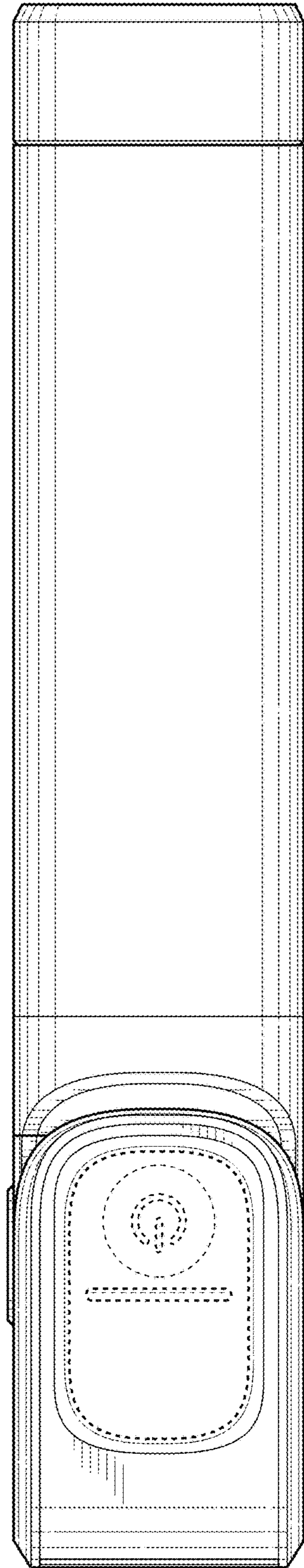


FIG. 4

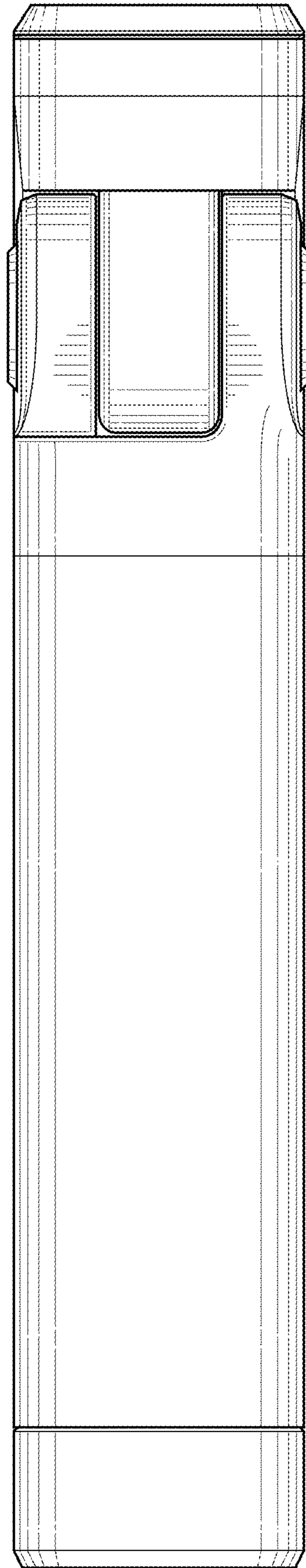


FIG. 5

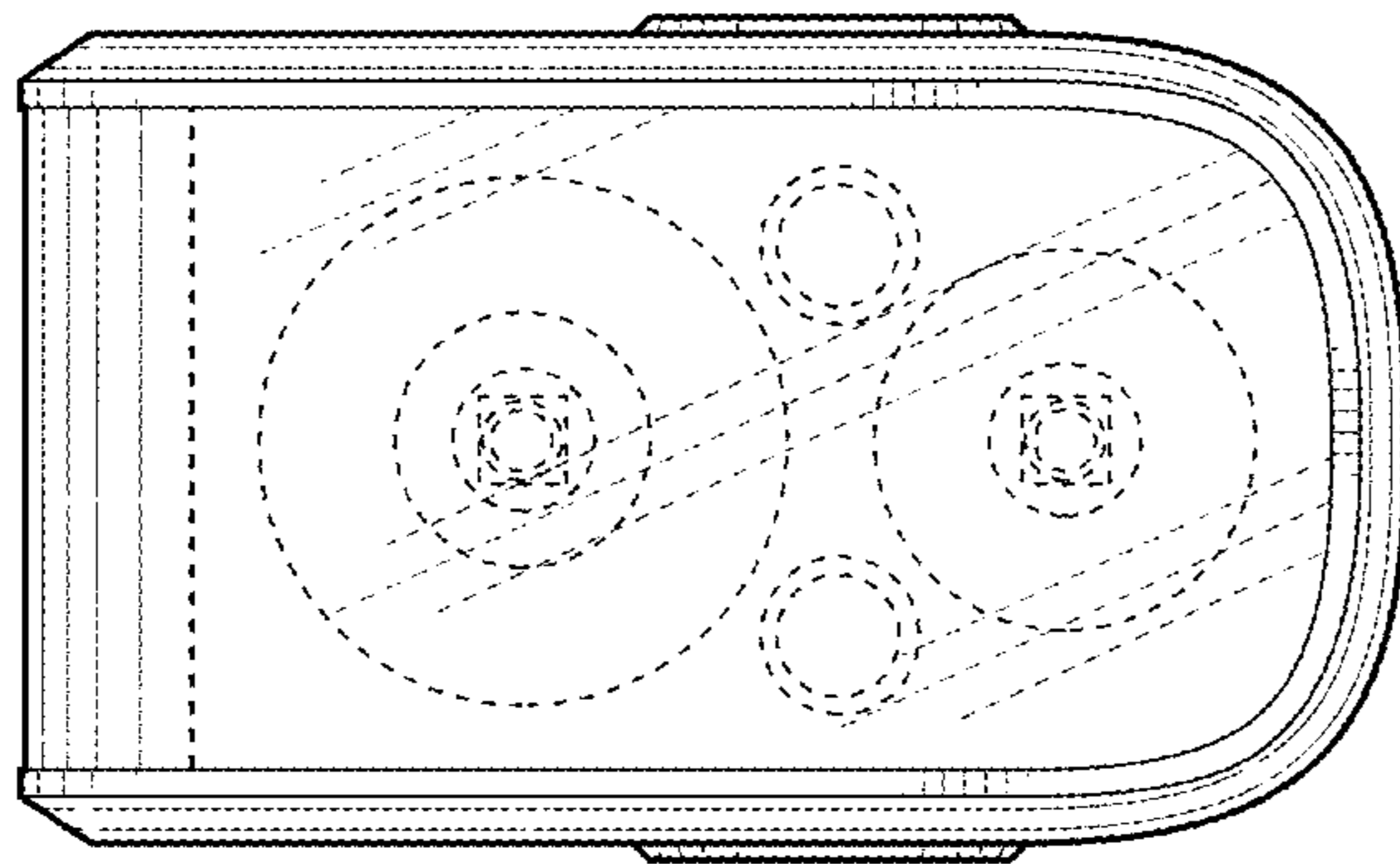


FIG. 6



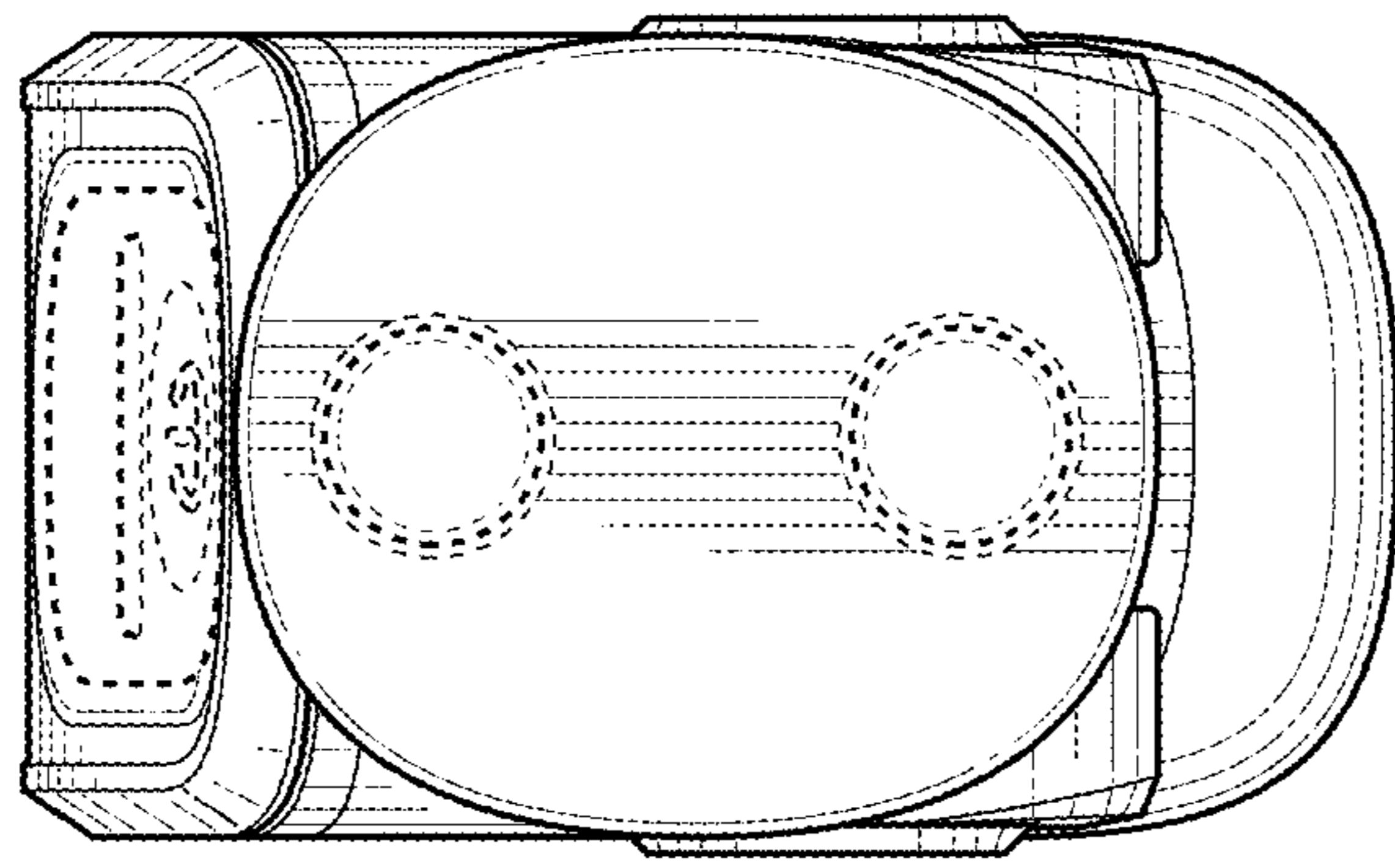


FIG. 7