



US00D810979S

(12) **United States Design Patent**  
**Krantz et al.**

(10) **Patent No.:** **US D810,979 S**

(45) **Date of Patent:** **\*\* Feb. 20, 2018**

(54) **LANTERN DEVICE**

(71) Applicant: **Goal Zero LLC**, Bluffdale, UT (US)

(72) Inventors: **Norman L. Krantz**, Draper, UT (US);  
**Henry J. Howell**, Herriman, UT (US);  
**Russell D. Thurgood**, Salem, UT (US)

(73) Assignee: **Goal Zero LLC**, Bluffdale, UT (US)

(\*\*) Term: **15 Years**

(21) Appl. No.: **29/535,212**

(22) Filed: **Aug. 4, 2015**

(51) **LOC (11) Cl.** ..... **26-02**

(52) **U.S. Cl.**  
USPC ..... **D26/41**

(58) **Field of Classification Search**  
USPC ..... D26/37, 38, 39, 40, 41, 46, 51; 362/157,  
362/158, 194–196, 200–208, 253  
CPC ..... F21L 2003/00; F21L 4/00; F21L 4/005;  
F21L 4/02; F21L 4/025; F21L 4/027;  
F21L 4/04; F21L 4/08; F21L 2005/00;  
F21L 7/00; F21L 11/00; F21L 13/00;  
F21L 13/04; F21L 13/08; F21L 14/02;  
F21L 17/00; F21L 19/00  
See application file for complete search history.

(56) **References Cited**

**U.S. PATENT DOCUMENTS**

D397,467 S *	8/1998	Howard	.....	D26/41
D424,227 S *	5/2000	Long	.....	D26/50
D429,354 S *	8/2000	Petterson	.....	D26/40
D509,920 S *	9/2005	Fritz	.....	D26/40
D553,774 S *	10/2007	Leung	.....	D26/40
D556,928 S *	12/2007	Poon	.....	D26/40
D559,418 S *	1/2008	Poon	.....	D26/40
D571,493 S *	6/2008	Li	.....	D26/37
D608,920 S *	1/2010	Loibl	.....	D26/40
D621,536 S *	8/2010	Lee	.....	D26/41

D648,055 S *	11/2011	Poon	.....	D26/41
D670,013 S *	10/2012	Bertken	.....	D26/40
D725,300 S *	3/2015	Dalton	.....	D26/40
9,182,088 B2	11/2015	Workman et al.		

(Continued)

**OTHER PUBLICATIONS**

U.S. Appl. No. 29/458,766, filed Jun. 21, 2013, Goal Zero LLC.

(Continued)

*Primary Examiner* — Lakiya Rogers

*Assistant Examiner* — Carissa C Fitts

(74) *Attorney, Agent, or Firm* — Foley & Lardner LLP

(57) **CLAIM**

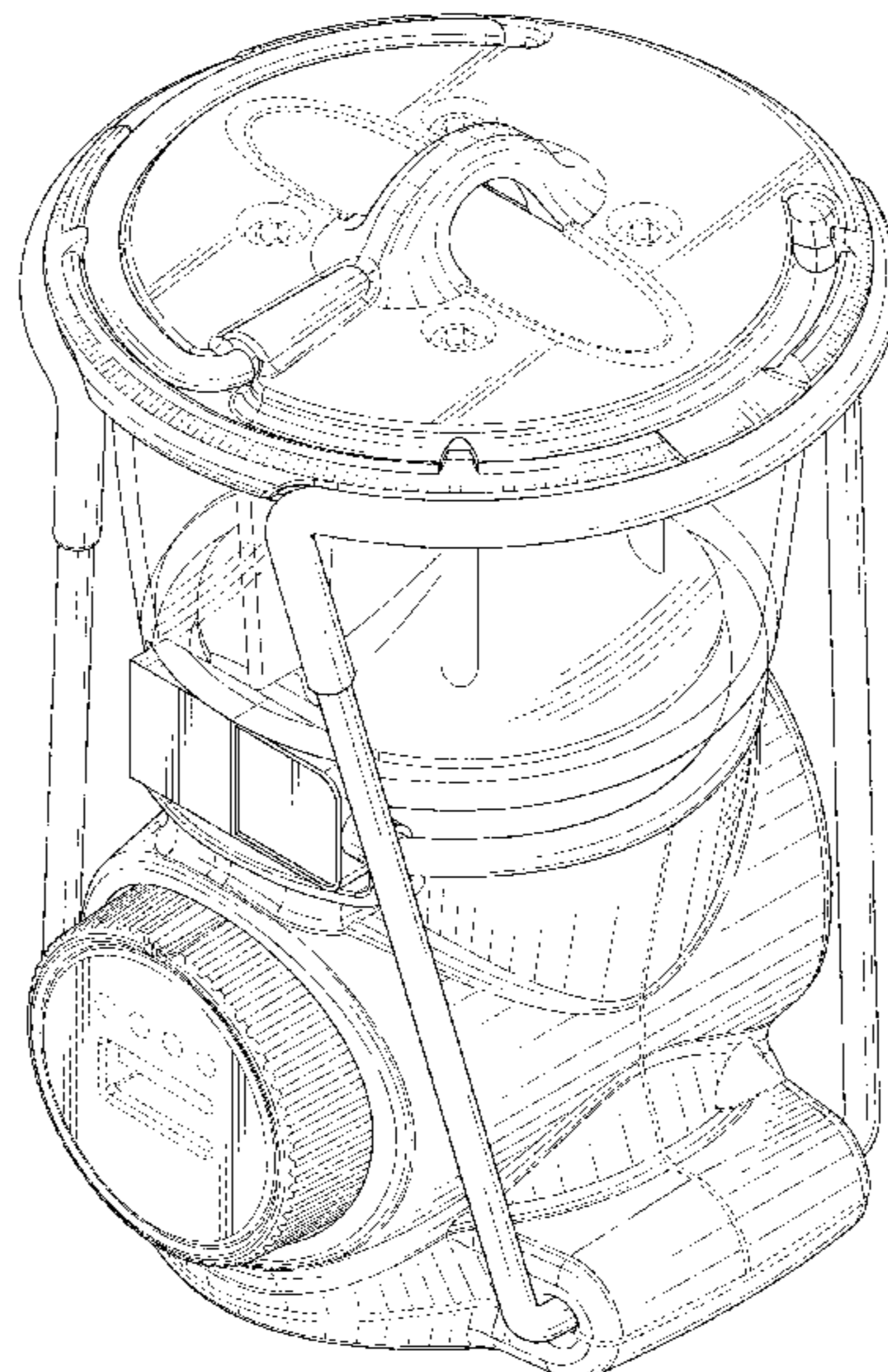
We claim the ornamental design for a lantern device, as shown and described.

**DESCRIPTION**

FIG. 1 is a front perspective view of the claimed design;  
FIG. 2 is a front view of the claimed design;  
FIG. 3 is a rear view of the claimed design;  
FIG. 4 is a left side view of the claimed design;  
FIG. 5 is a right side view of the claimed design;  
FIG. 6 is a top view of the claimed design;  
FIG. 7 is a bottom view of the claimed design;  
FIG. 8 is a front perspective view of the claimed design in another configuration;  
FIG. 9 is a front view of the configuration of FIG. 8;  
FIG. 10 is a rear view of the configuration of FIG. 8;  
FIG. 11 is a left side view of the configuration of FIG. 8;  
FIG. 12 is a right side view of the configuration of FIG. 8;  
FIG. 13 is a top view of the configuration of FIG. 8; and,  
FIG. 14 is a bottom view of the configuration of FIG. 8.

The dash-dot broken lines immediately adjacent the shaded areas represent the bounds of the claimed design while all other broken lines are directed to unclaimed portions of the lantern device. The broken lines form no part of the claimed design.

**1 Claim, 13 Drawing Sheets**



(56)

**References Cited**

U.S. PATENT DOCUMENTS

9,217,547 B2 \* 12/2015 Sharrah ..... F21L 4/005  
D747,523 S \* 1/2016 Salmon ..... D26/40

OTHER PUBLICATIONS

U.S. Appl. No. 29/513,752, filed Jan. 5, 2015, Goal Zero LLC.  
U.S. Appl. No. 29/535,213, filed Aug. 4, 2015, Goal Zero LLC.  
U.S. Appl. No. 62/099,905, filed Jan. 5, 2015, Goal Zero LLC.

\* cited by examiner



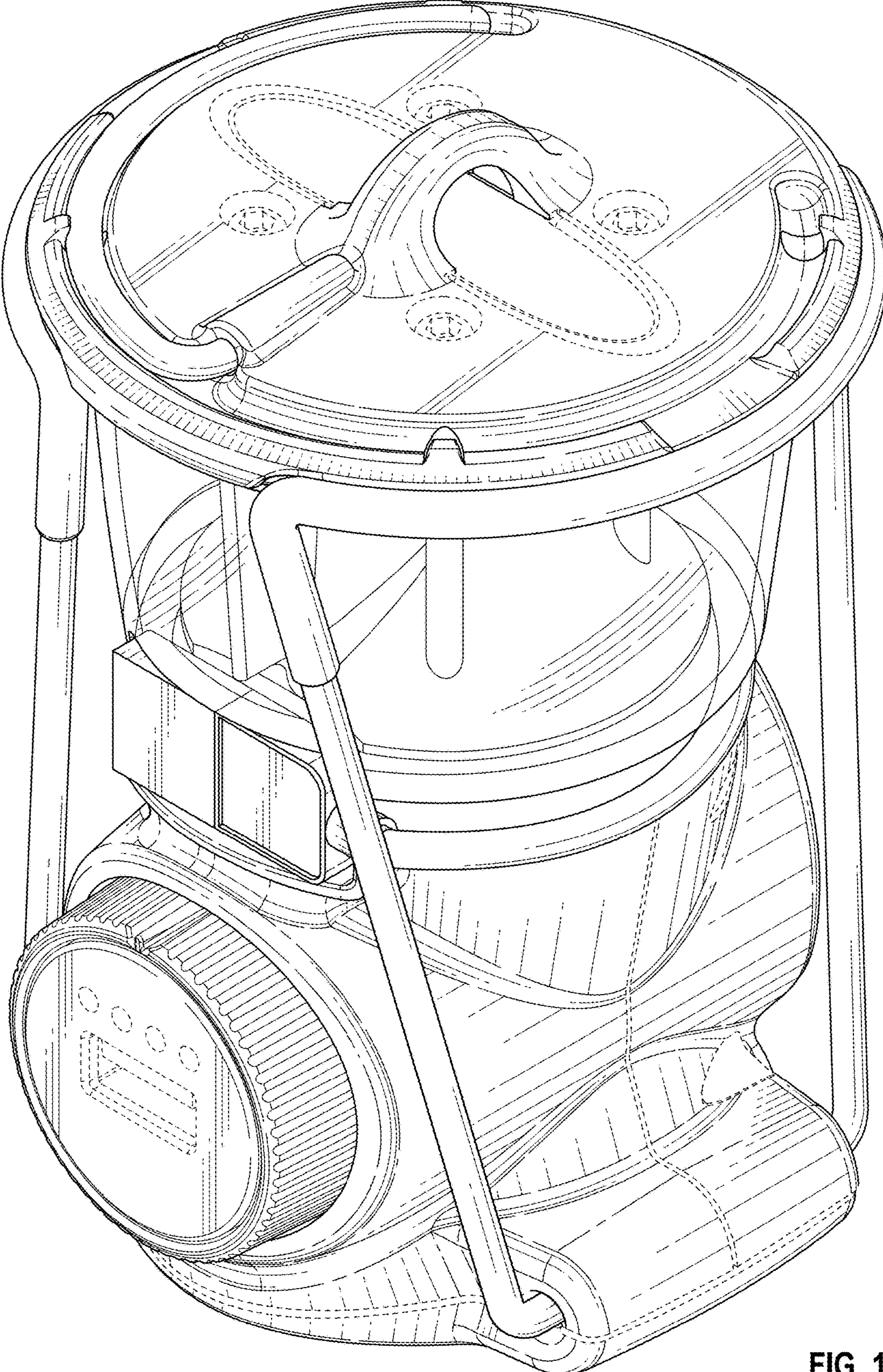


FIG. 1



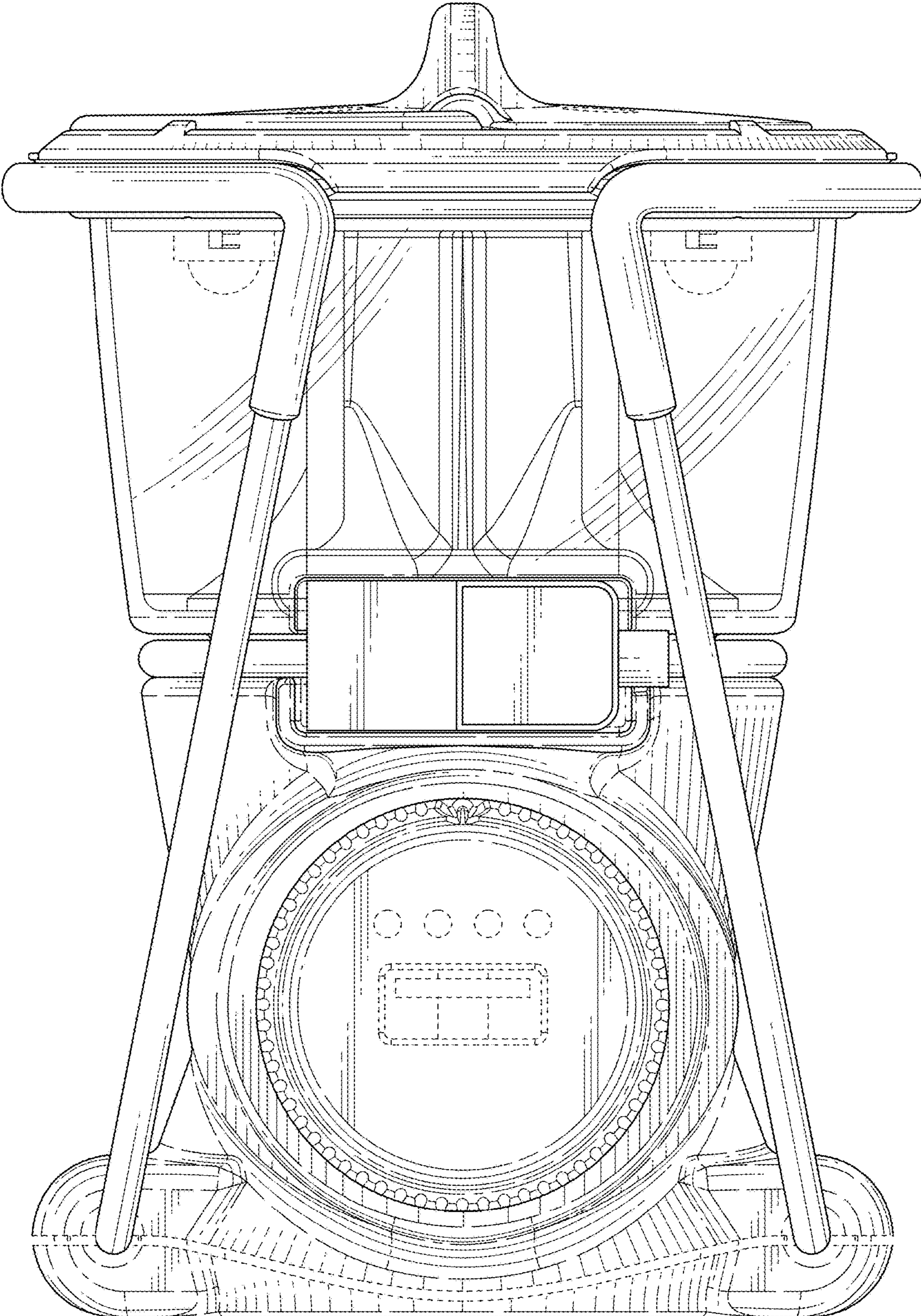


FIG. 2

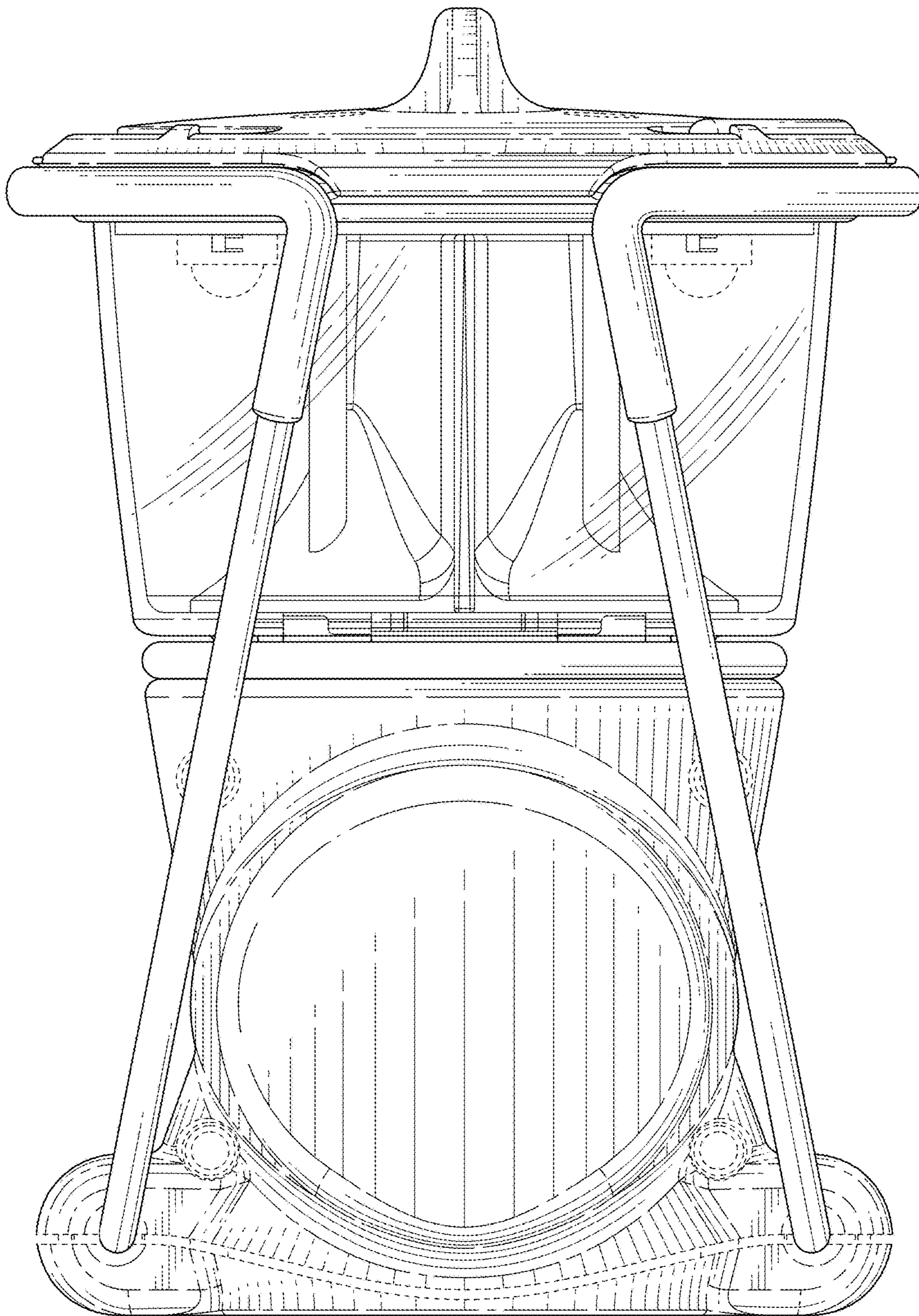


FIG. 3



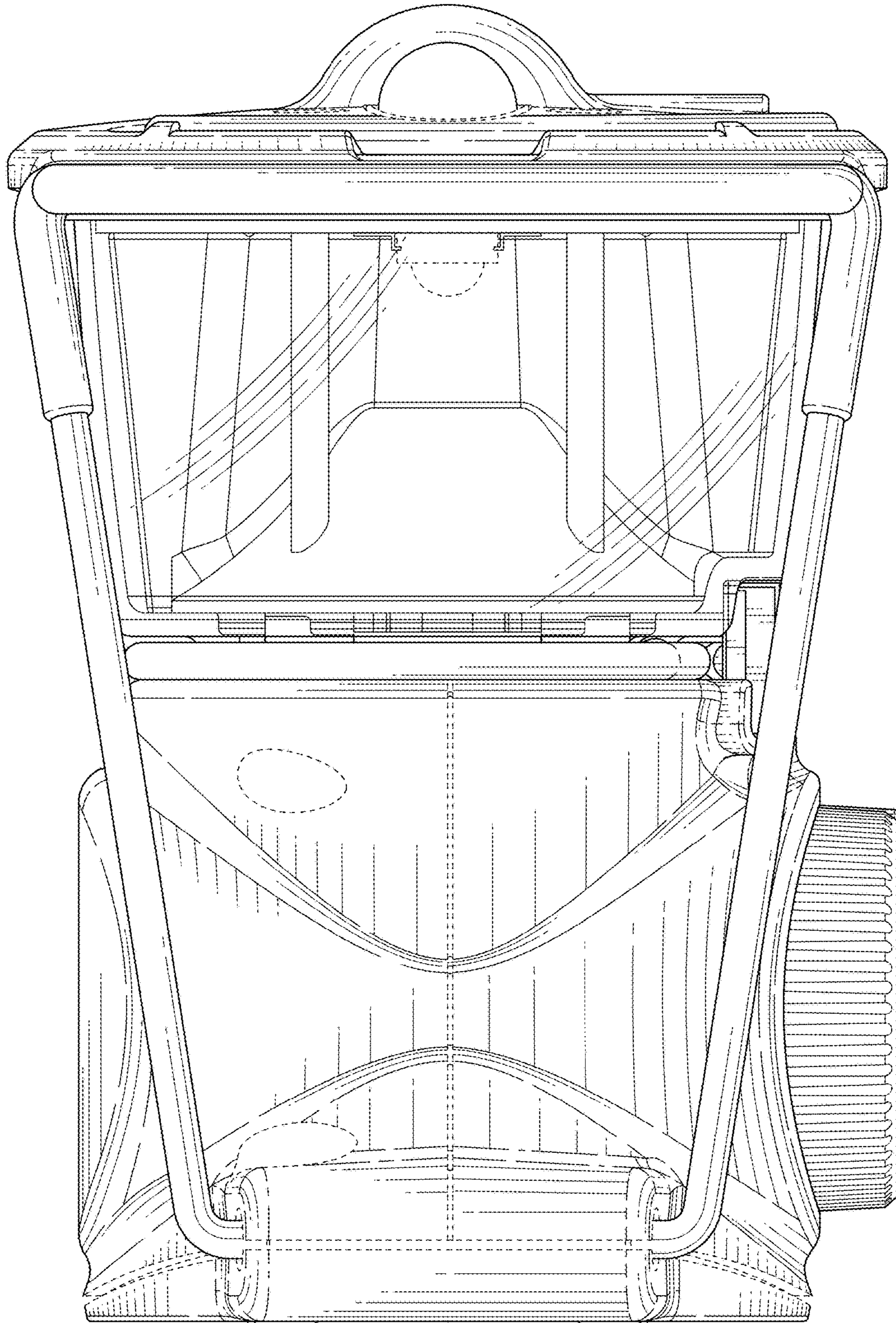


FIG. 4

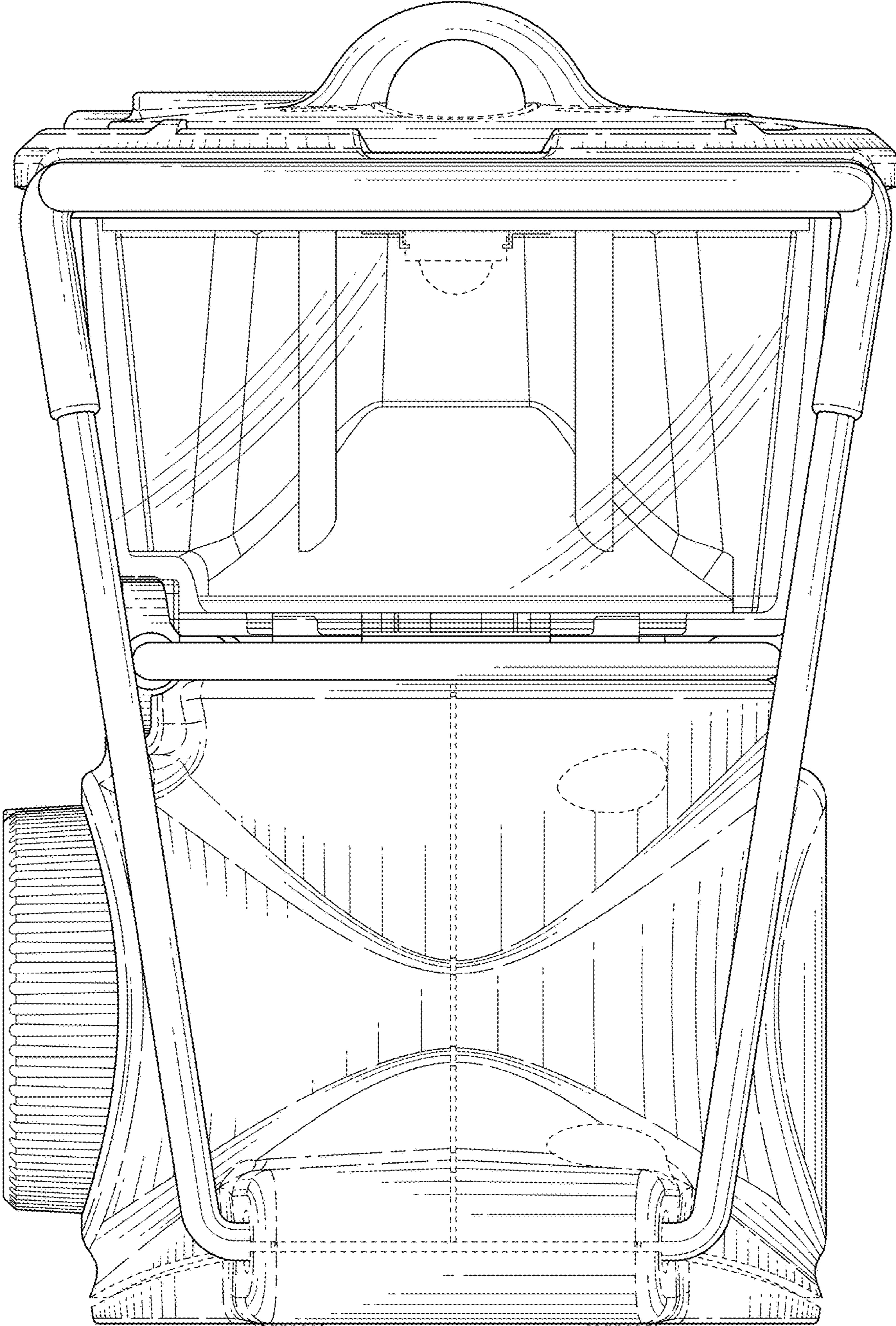


FIG. 5



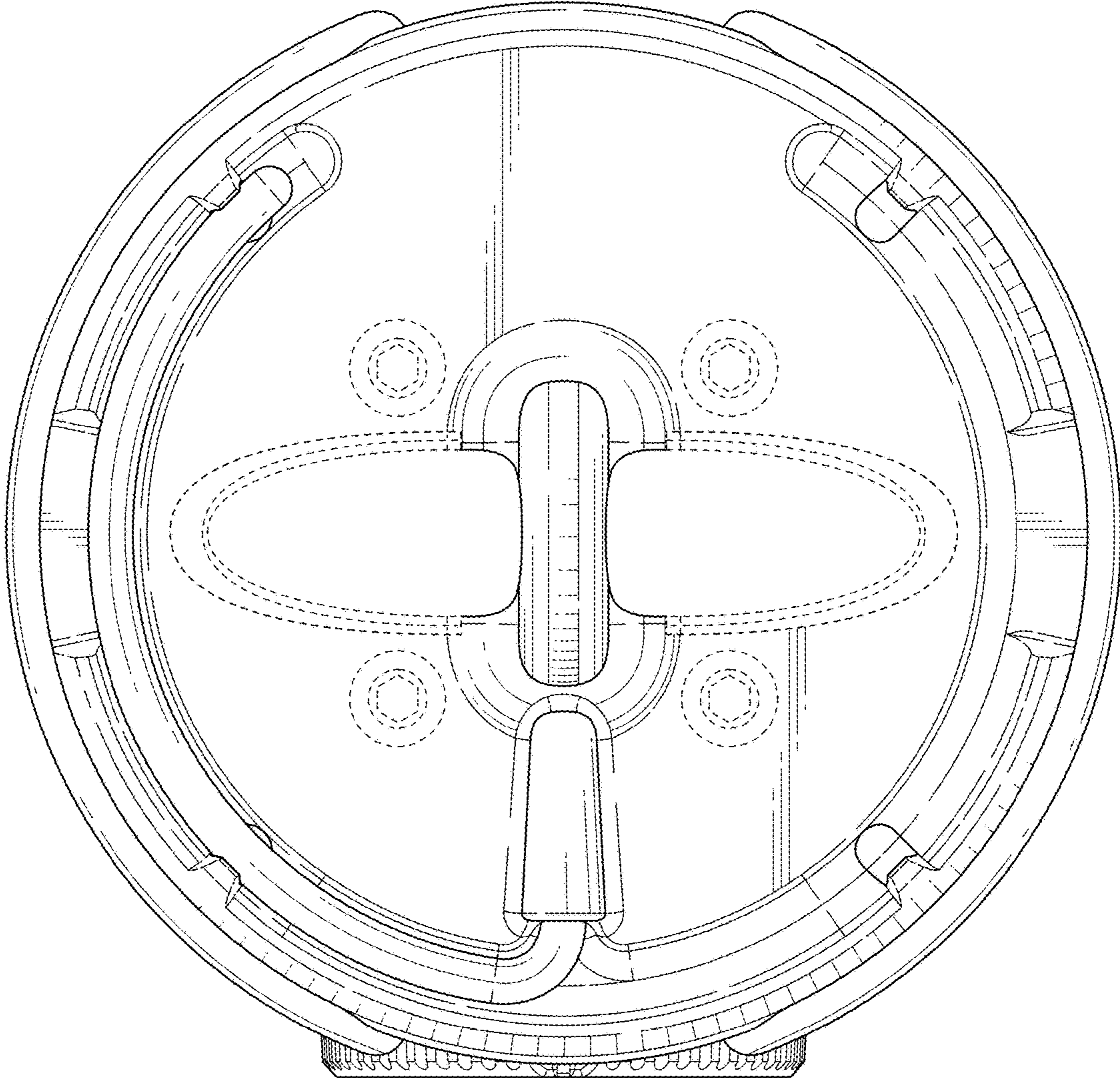


FIG. 6



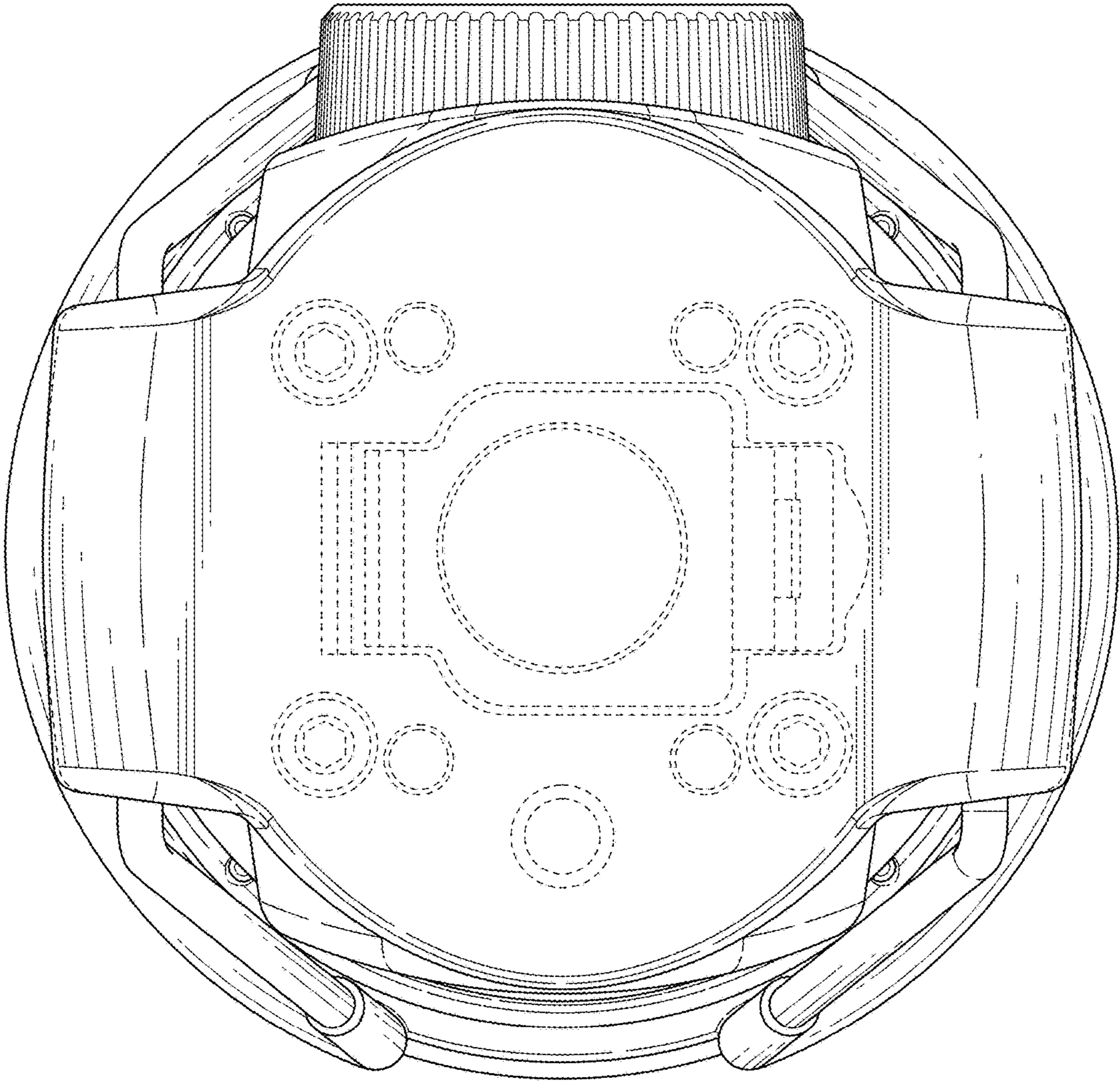


FIG. 7

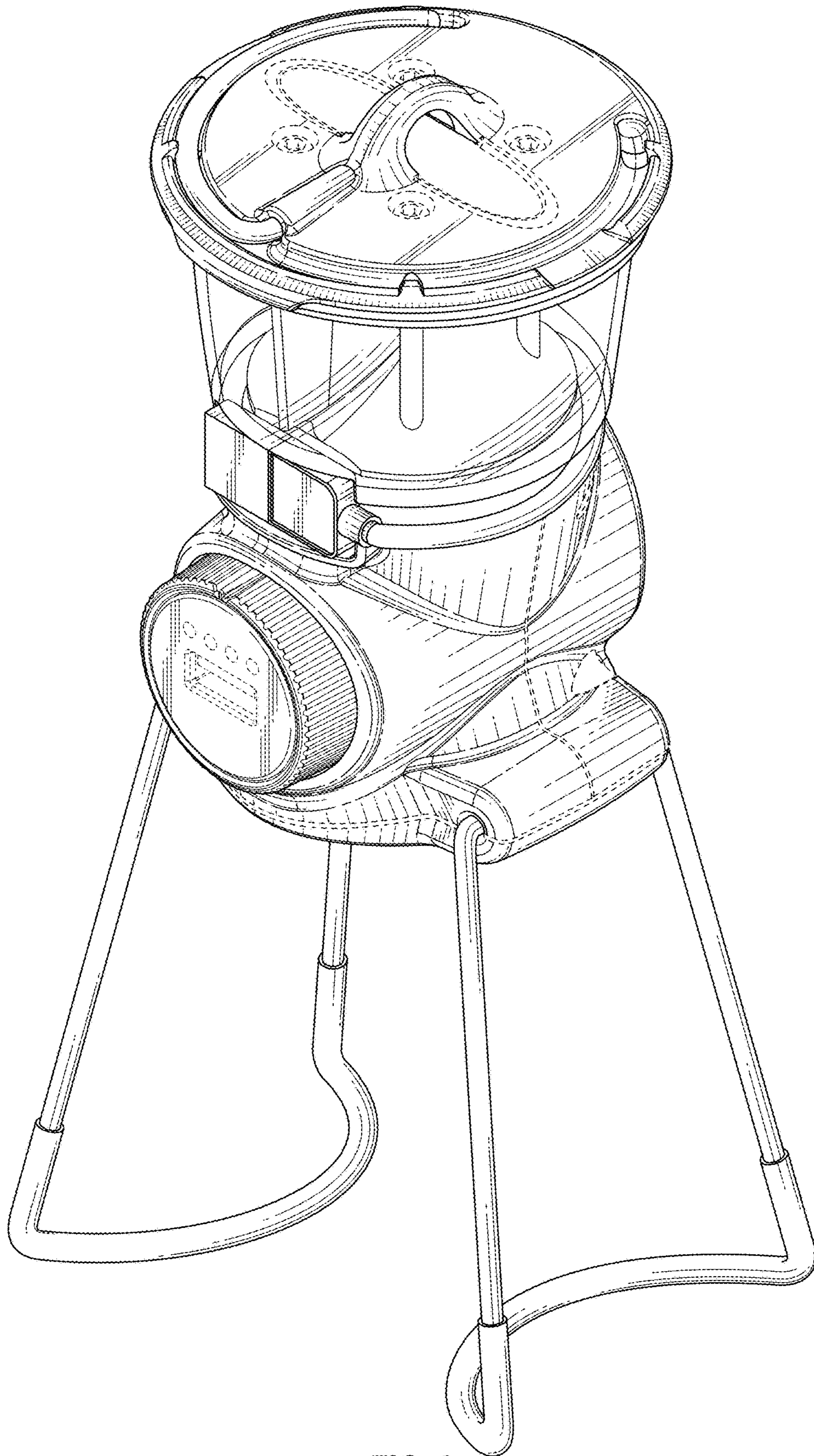


FIG. 8



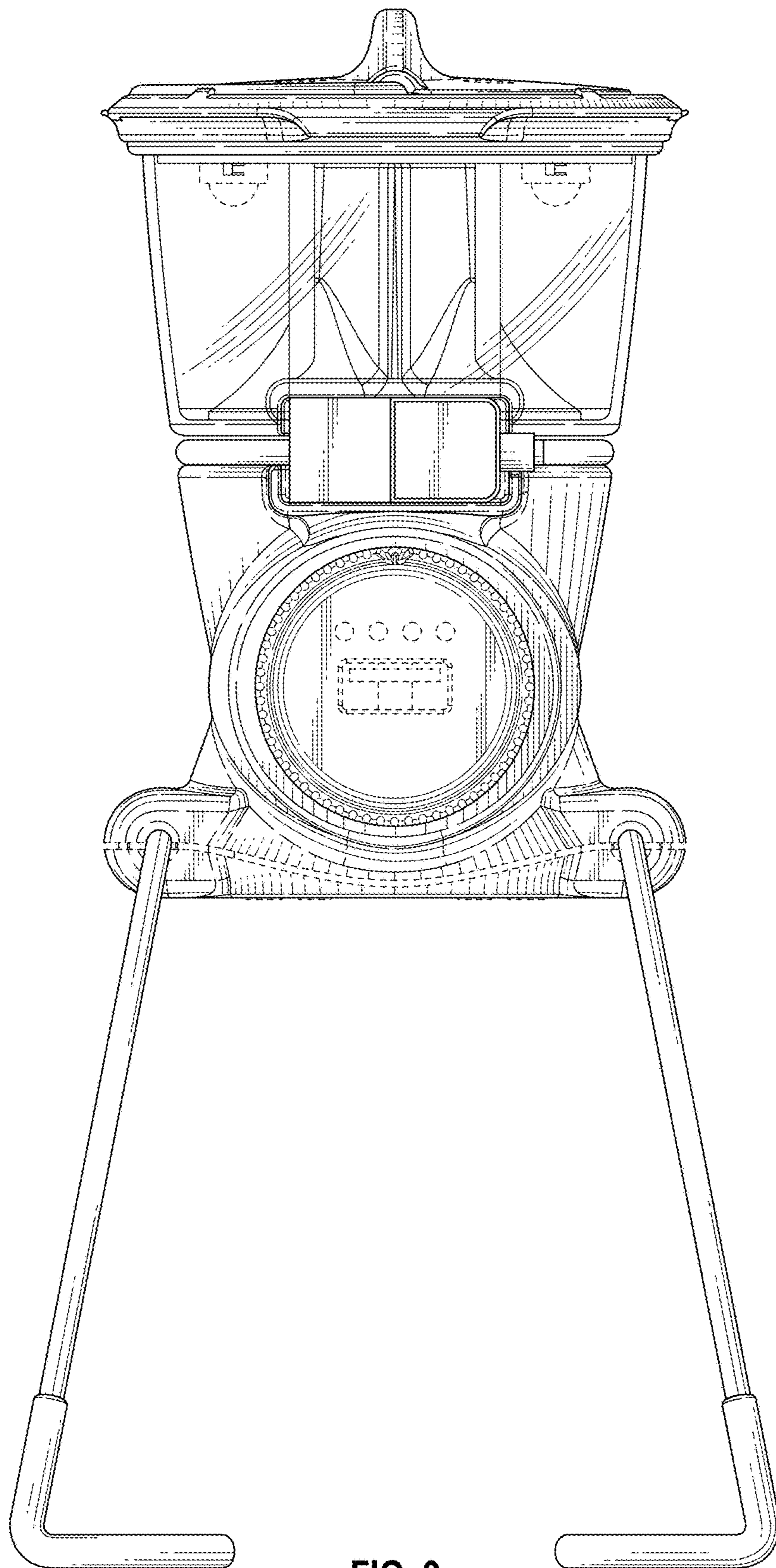


FIG. 9

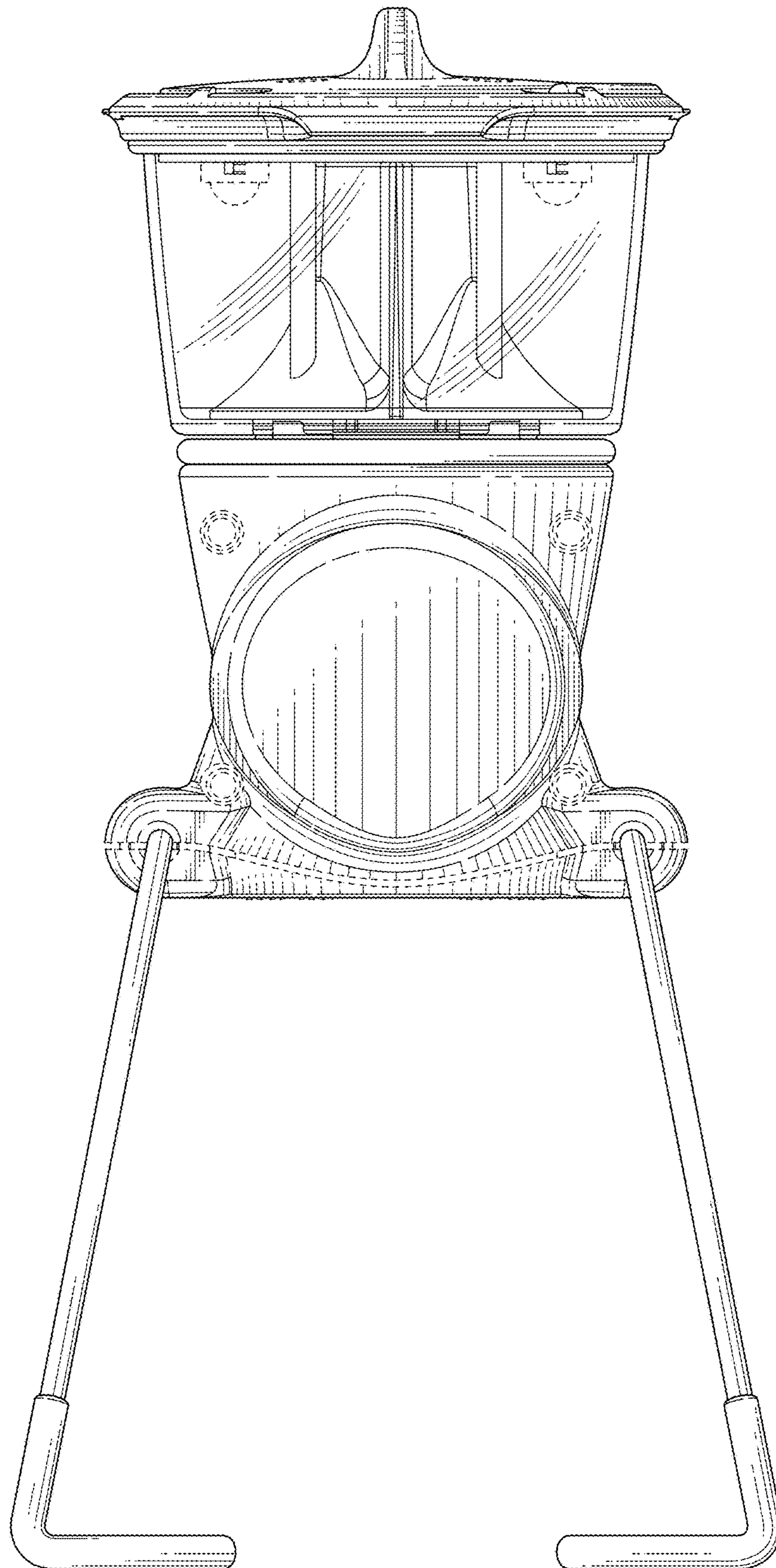


FIG. 10



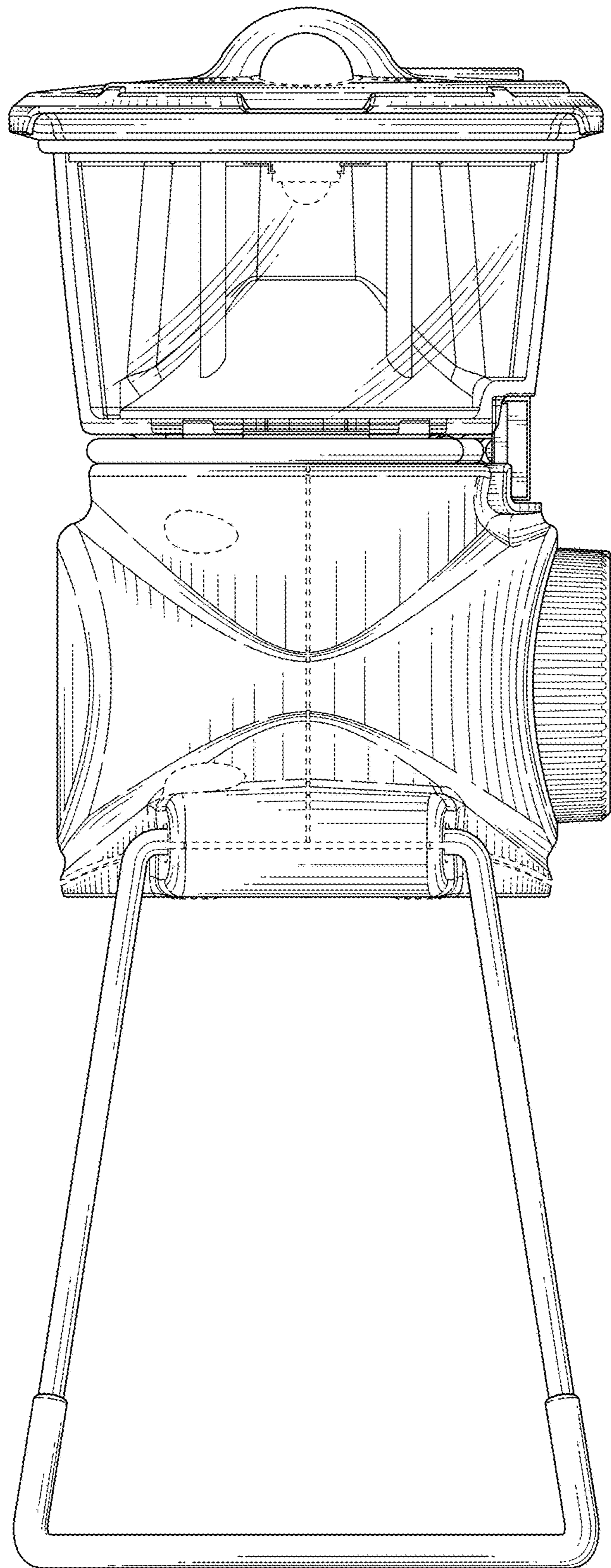


FIG. 11

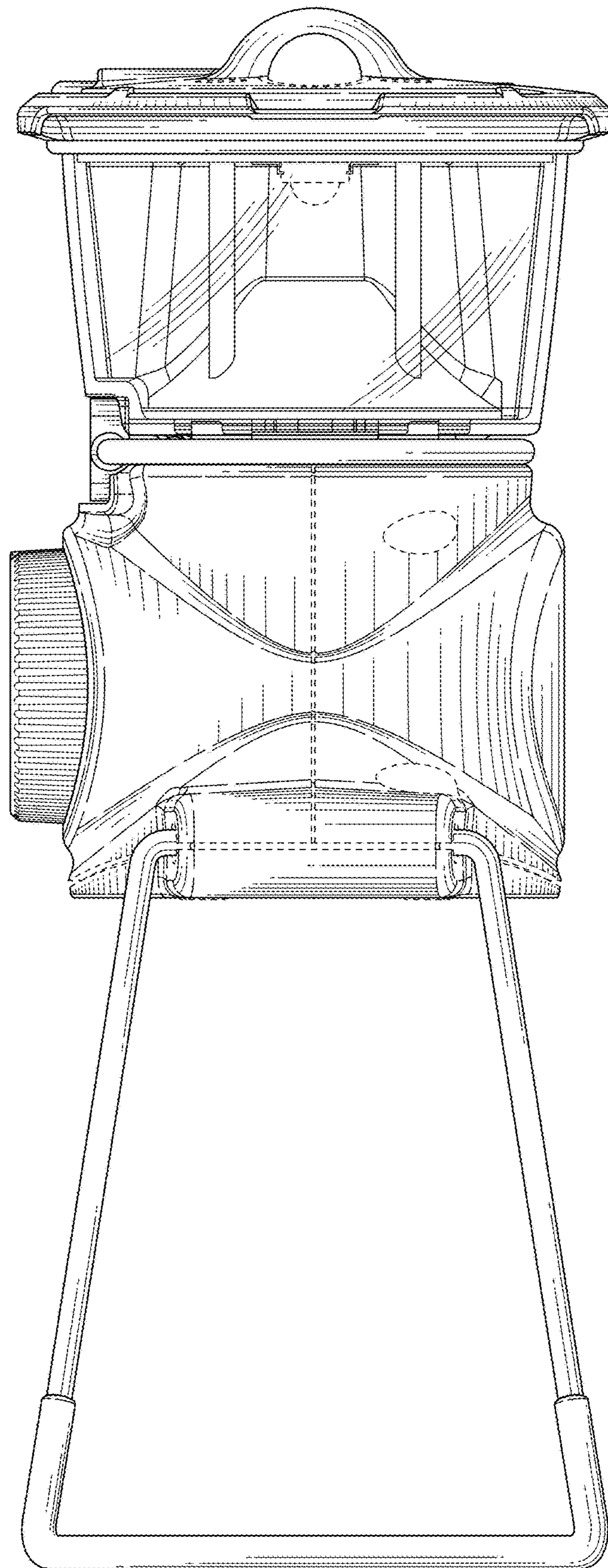


FIG. 12



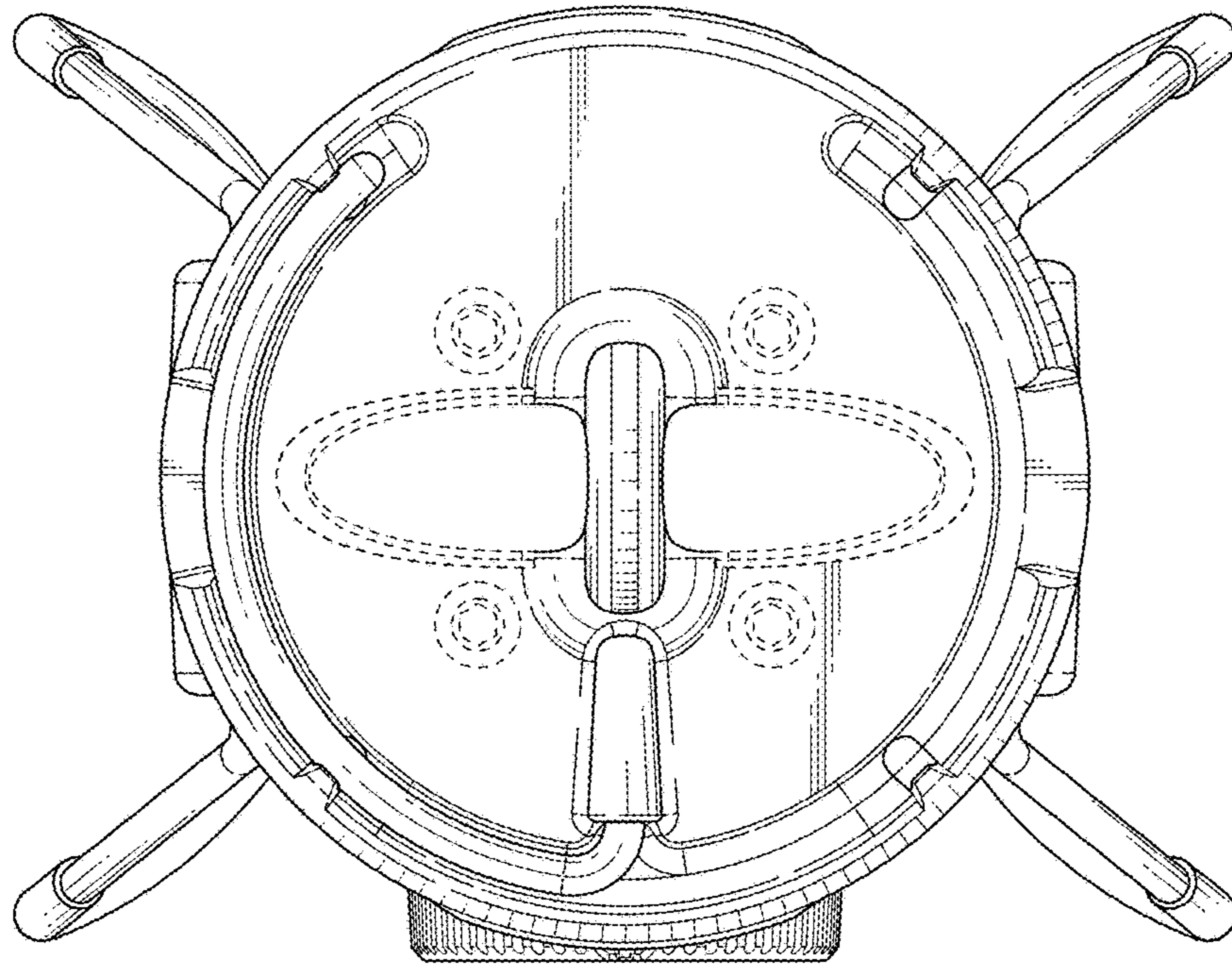


FIG. 13

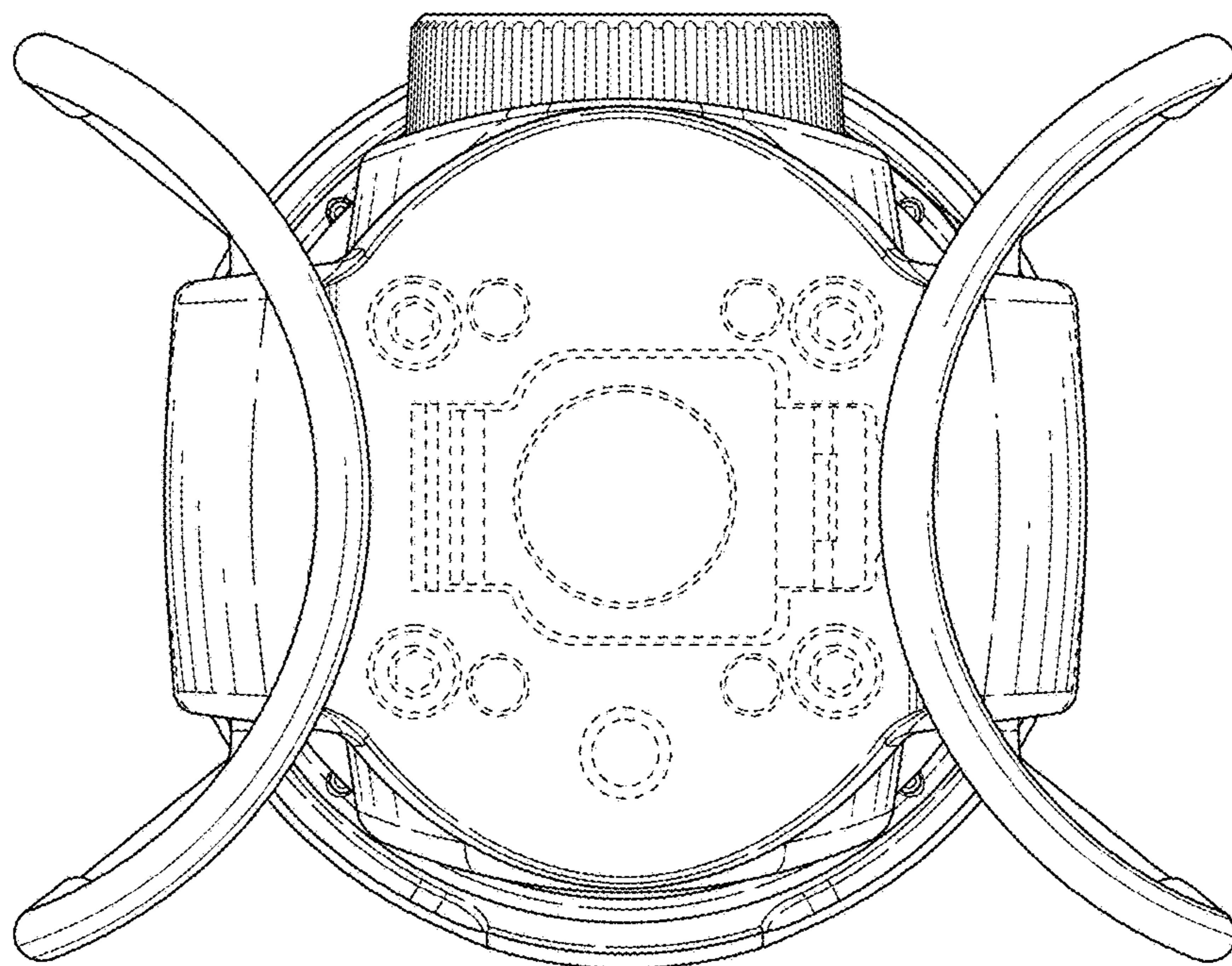


FIG. 14