



US00D810978S

(12) **United States Design Patent**
Windom

(10) **Patent No.:** **US D810,978 S**

(45) **Date of Patent:** **** Feb. 20, 2018**

(54) **PEN LIGHT AND CHARGER**

(71) Applicant: **Coast Cutlery Co.**, Portland, OR (US)

(72) Inventor: **Gregory David Windom**, Portland, OR (US)

(73) Assignee: **Coast Cutlery Co.**, Portland, OR (US)

(**) Term: **14 Years**

(21) Appl. No.: **29/479,322**

(22) Filed: **Jan. 14, 2014**

(51) **LOC (11) Cl.** **26-02**

(52) **U.S. Cl.**
USPC **D26/38; D26/49**

(58) **Field of Classification Search**

USPC D26/37, 38, 46, 49.51, 44, 45; 362/157, 362/158, 183, 194-196, 202-208, 253; D19/130

CPC F21V 33/00; F21V 14/025; F21V 21/406; F21Y 2101/02; F21L 17/00; F21L 13/08

See application file for complete search history.

(56) **References Cited**

U.S. PATENT DOCUMENTS

D450,873 S * 11/2001 Opolka D19/173

D603,541 S * 11/2009 Shiu D26/38

D622,428 S * 8/2010 Crawford D26/37

(Continued)

Primary Examiner — Ian Simmons

Assistant Examiner — Carissa C Fitts

(74) *Attorney, Agent, or Firm* — Schwabe Williamson & Wyatt, P.C.

(57) **CLAIM**

I claim an ornamental design for a pen light and charger, as shown and described.

DESCRIPTION

FIG. 1 is a perspective view of the pen light;
FIG. 2 is a different perspective view of the pen light shown in FIG. 1;

FIG. 3 is a bottom view of the pen light shown in FIG. 1;

FIG. 4 is a top view of the pen light shown in FIG. 1;

FIG. 5 is a left side view of the pen light shown in FIG. 1;

FIG. 6 is a right side view of the pen light shown in FIG. 1,

the right side view being a mirror image of the left side view;

FIG. 7 is an end view of the pen light shown in FIG. 1, taken

from the light end;

FIG. 8 is an end view of the pen light shown in FIG. 1, taken

from the switch end.

FIG. 9 is a perspective view of the recharging member;

FIG. 10 is a left side view of the recharging member in FIG.

9;

FIG. 11 is a right side view of the recharging member shown

in FIG. 9, the right side view being a mirror image of the left

side view;

FIG. 12 is a top view of the pen light shown in FIG. 9;

FIG. 13 is a bottom view of the pen light shown in FIG. 9;

FIG. 14 is an end view of the pen light shown in FIG. 9;

taken from the end remote from the USB port;

FIG. 15 is an end view of the pen light shown in FIG. 9,

taken from the end having the USB port;

FIG. 16 is a perspective view of combined pen light and

charger showing my new design, with the charging member

shown prior to mounting to the pen light;

FIG. 17 is a perspective view of the pen light shown in FIG.

1, with the recharging member shown in FIG. 9 shown

mounted to the pen light;

FIG. 18 is a side view of the pen light shown in FIG. 1, with

the recharging member shown in FIG. 9 shown prior to

mounting to the pen light; and,

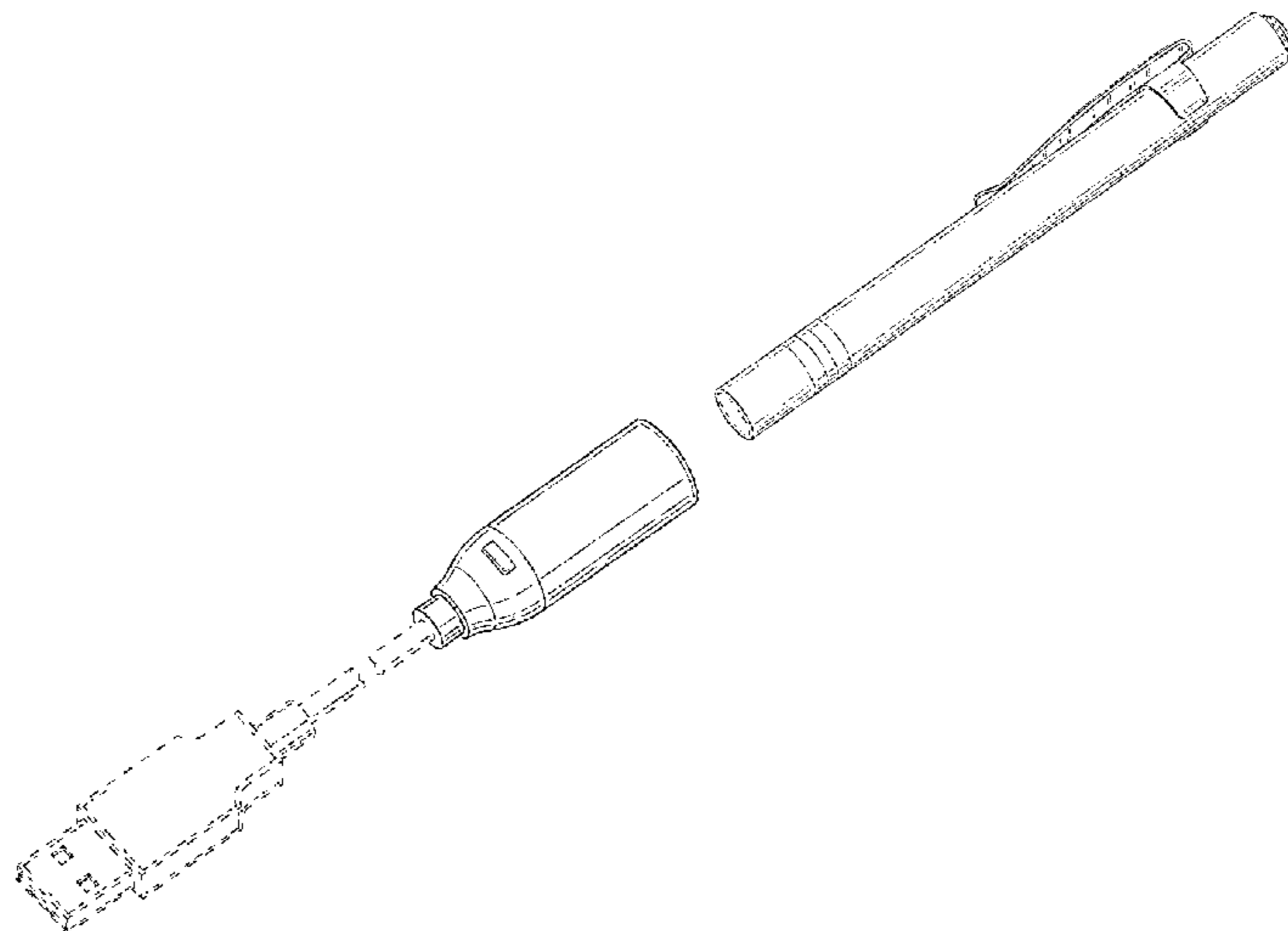
FIG. 19 is a side view corresponding to FIG. 18, with the

recharging member shown mounted to the pen light.

The broken line showing represents unclaimed portions of

the article and forms no part of the claimed design.

1 Claim, 13 Drawing Sheets



(56)

References Cited

U.S. PATENT DOCUMENTS

D647,231 S	*	10/2011	Bertken	D26/38
D649,275 S	*	11/2011	Crawford	D26/49
D658,322 S	*	4/2012	Wu	D26/37
D676,170 S	*	2/2013	Feng	D26/38
D715,983 S	*	10/2014	Jeong	D26/46
D725,810 S	*	3/2015	Jeong	D26/38
D729,963 S	*	5/2015	Windom	D26/38

* cited by examiner

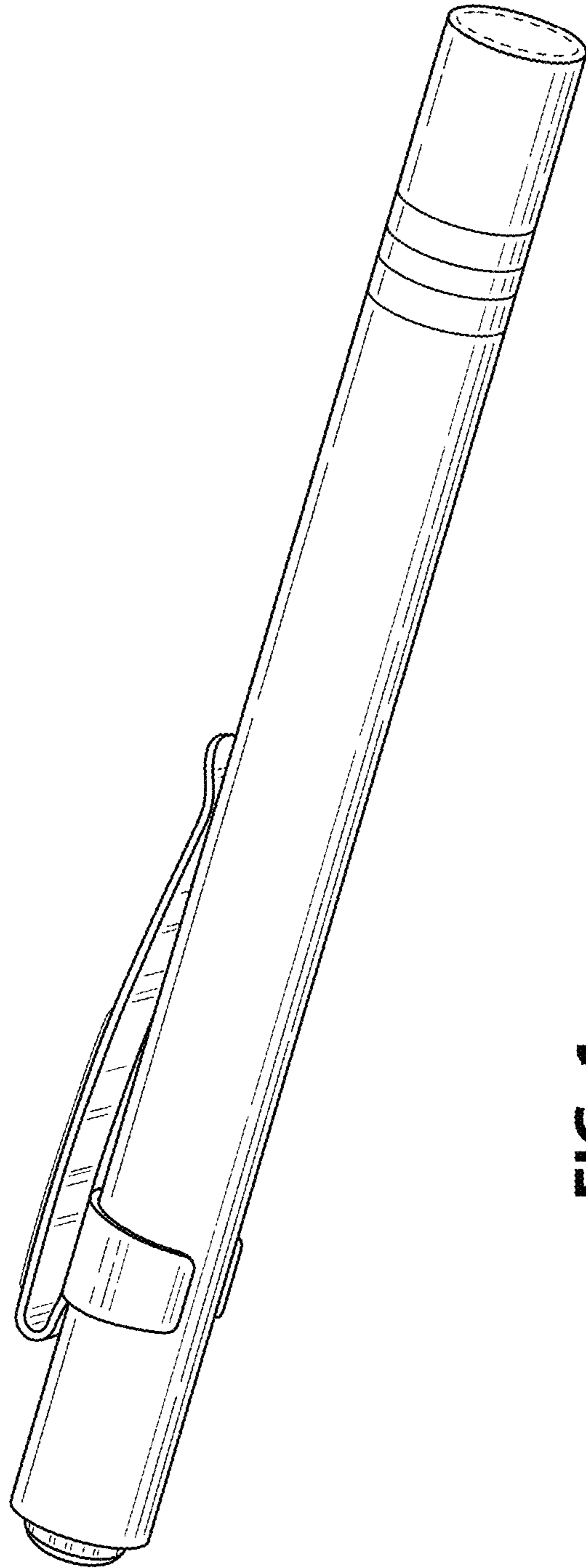


FIG. 1

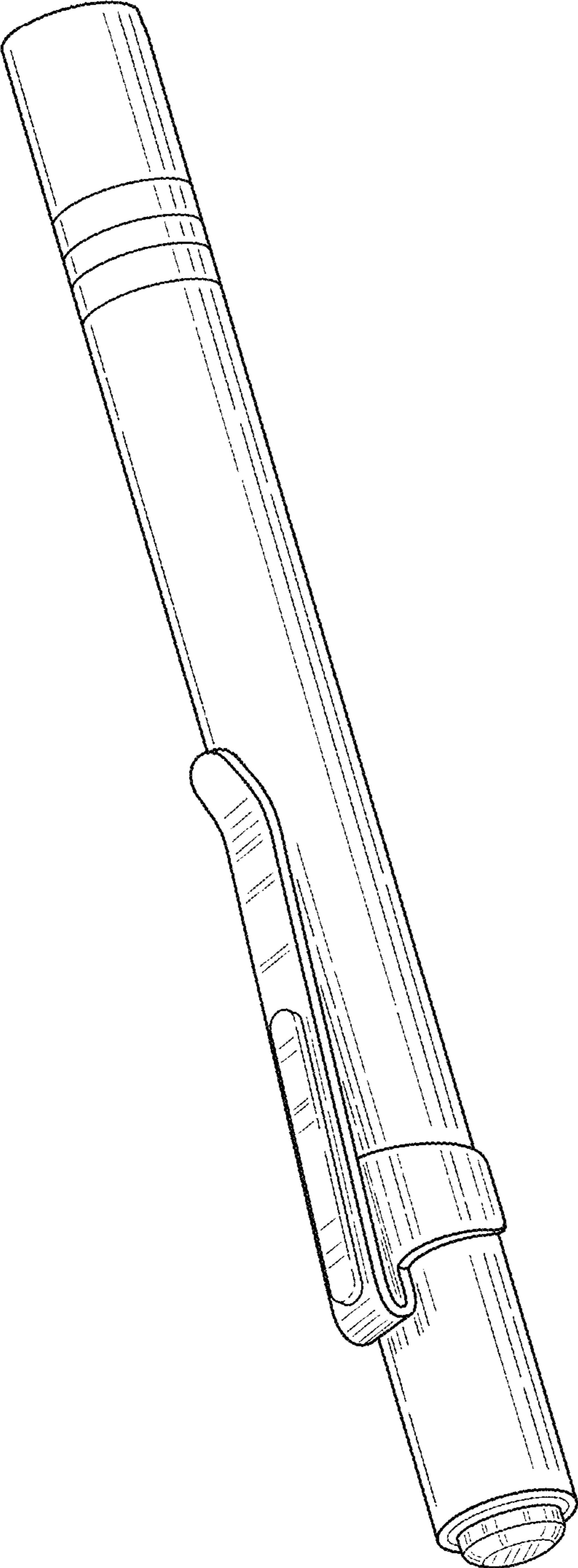


FIG. 2

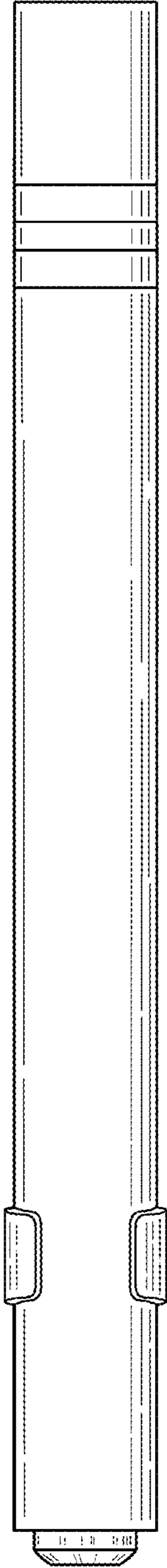


FIG. 3

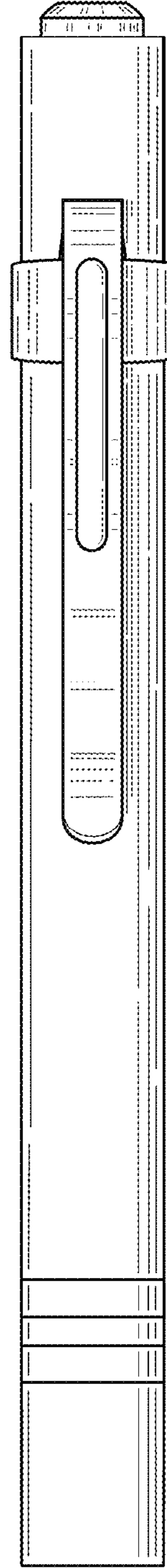


FIG. 4

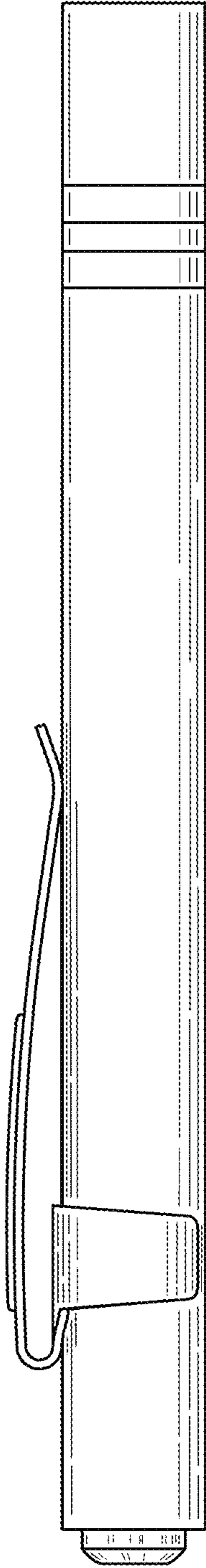


FIG. 5

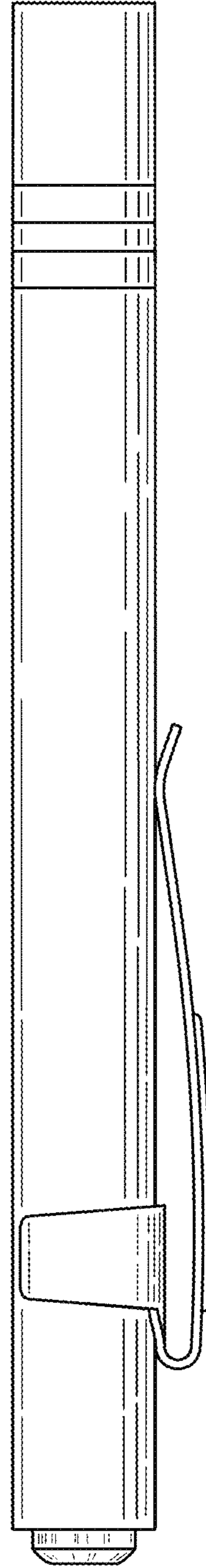


FIG. 6

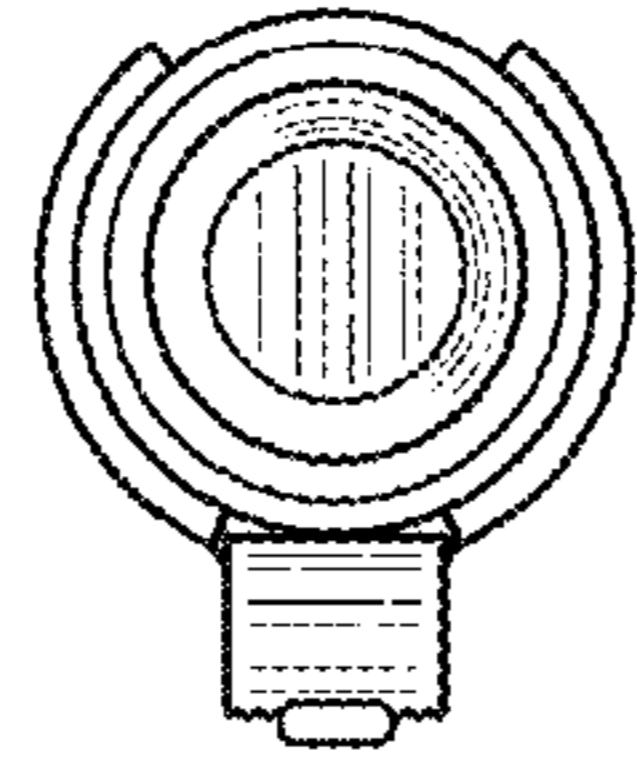


FIG. 8

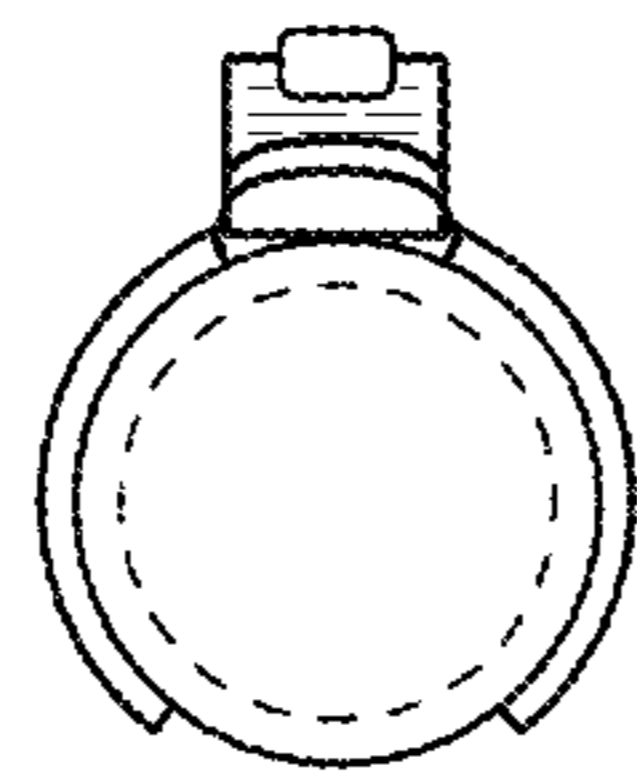


FIG. 7

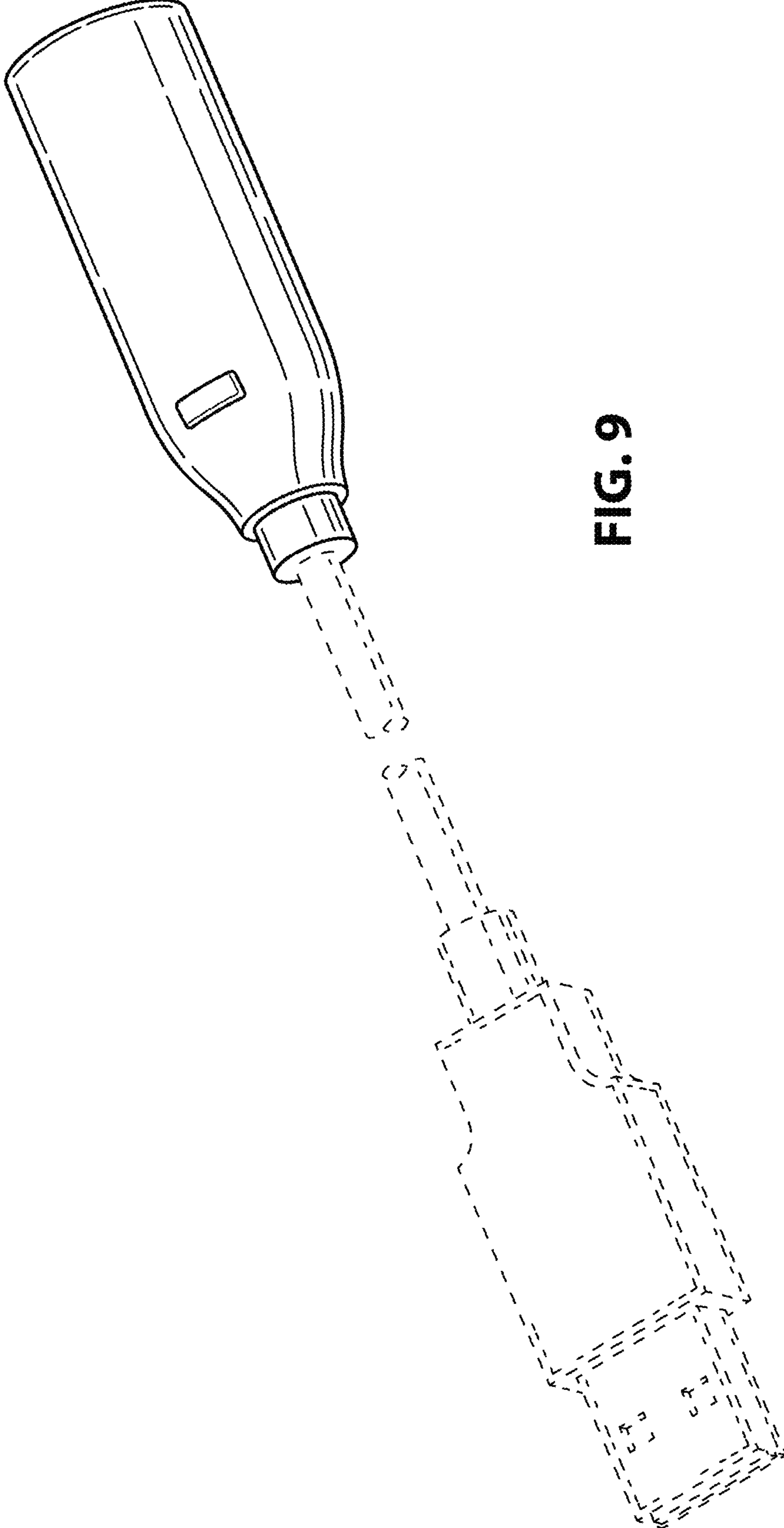


FIG. 9

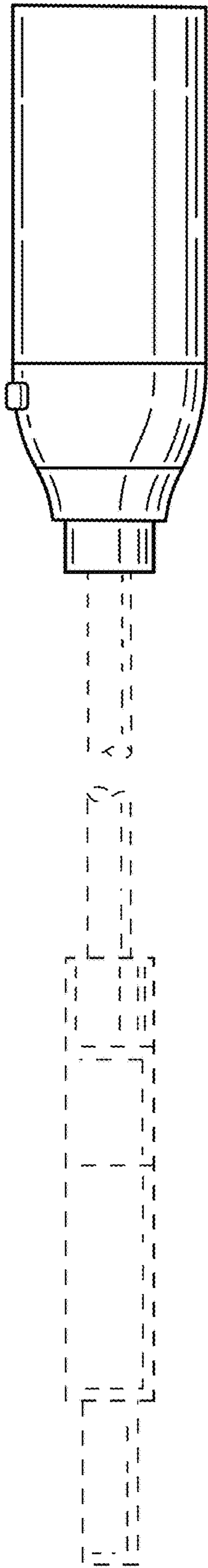


FIG. 10

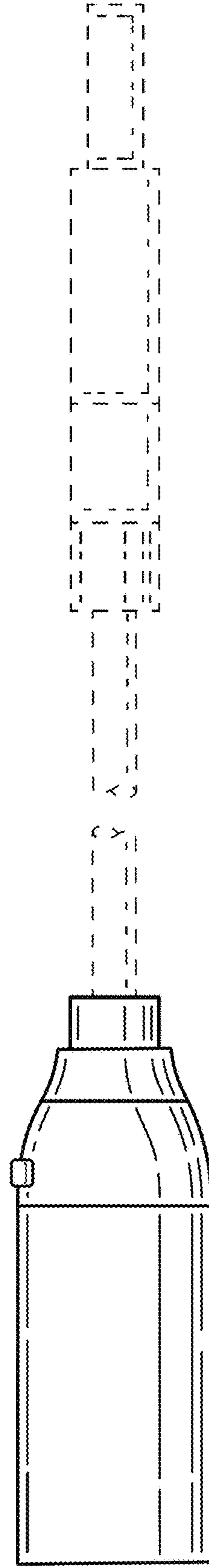


FIG. 11

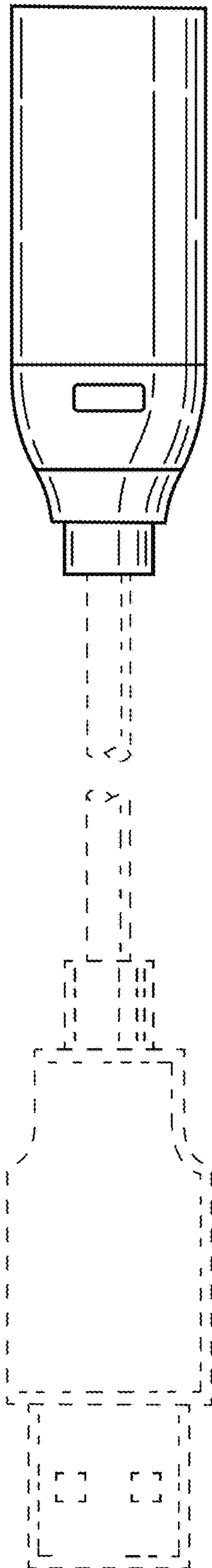


FIG. 12

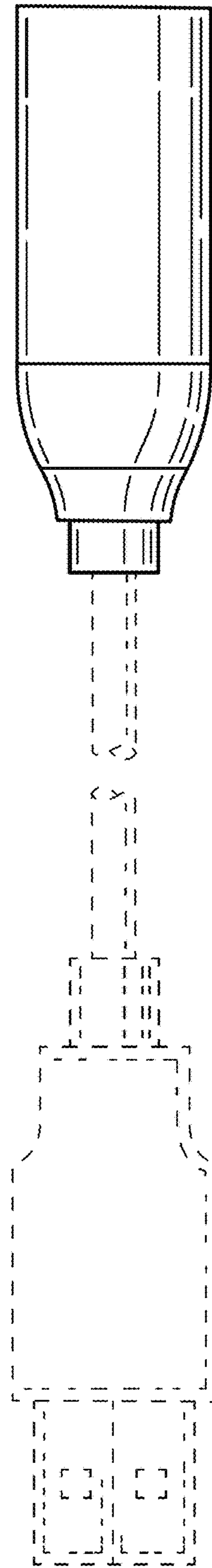


FIG. 13

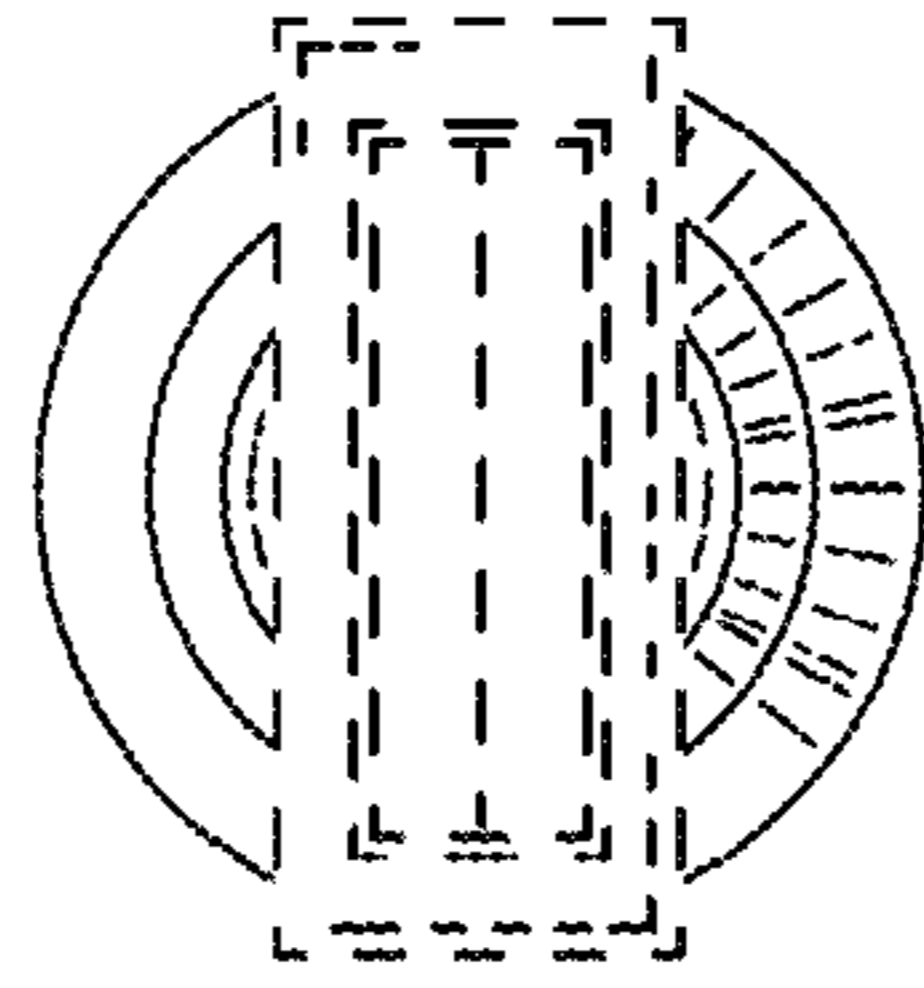


FIG. 15

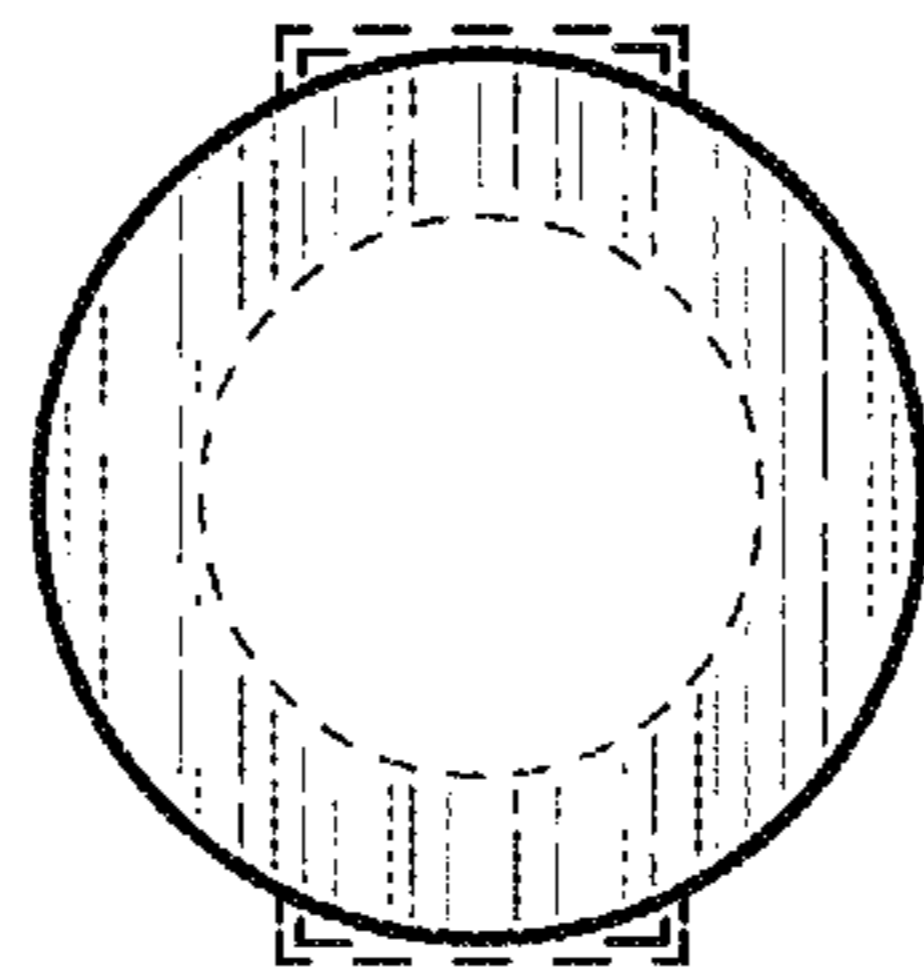


FIG. 14

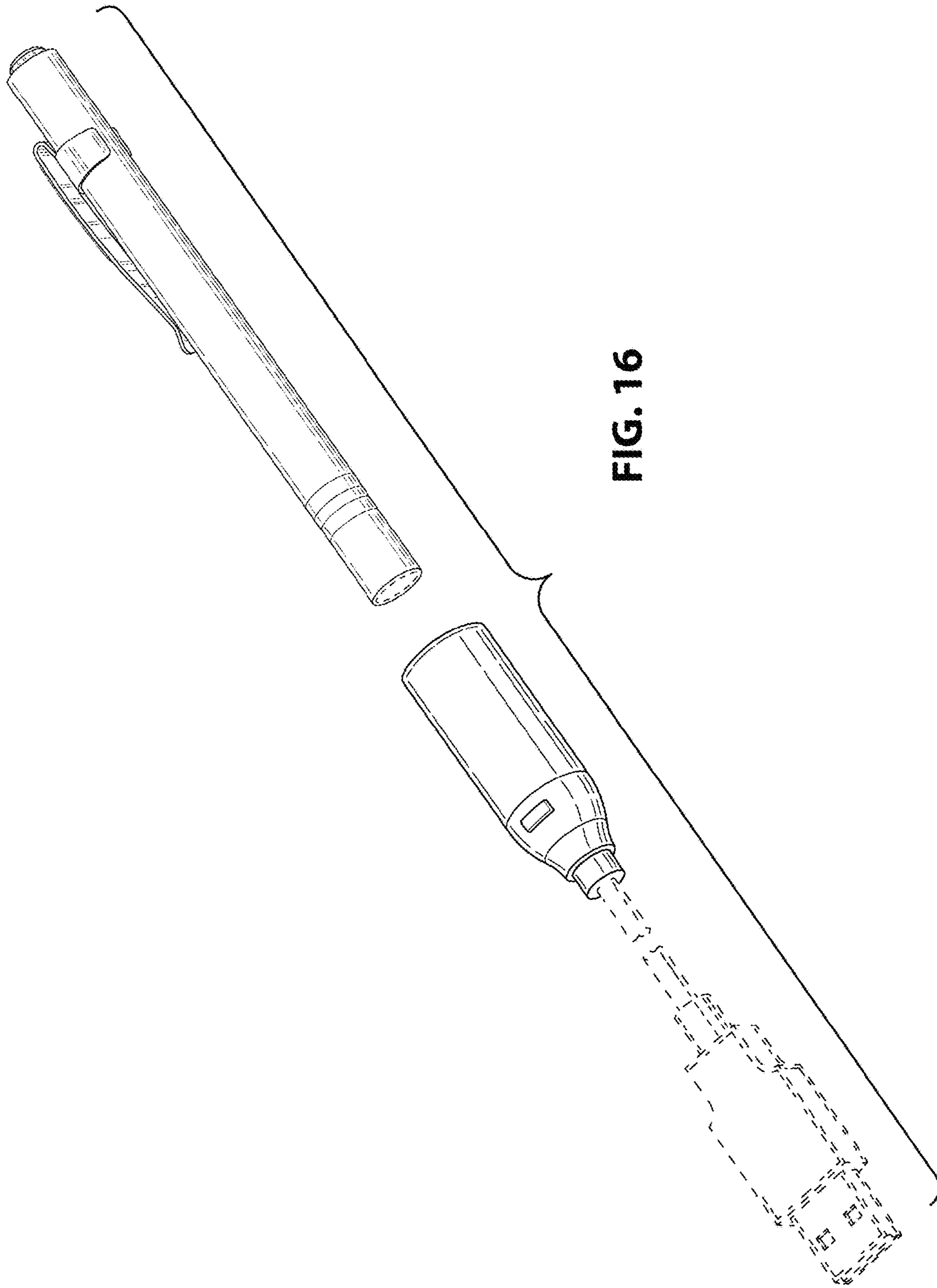


FIG. 16

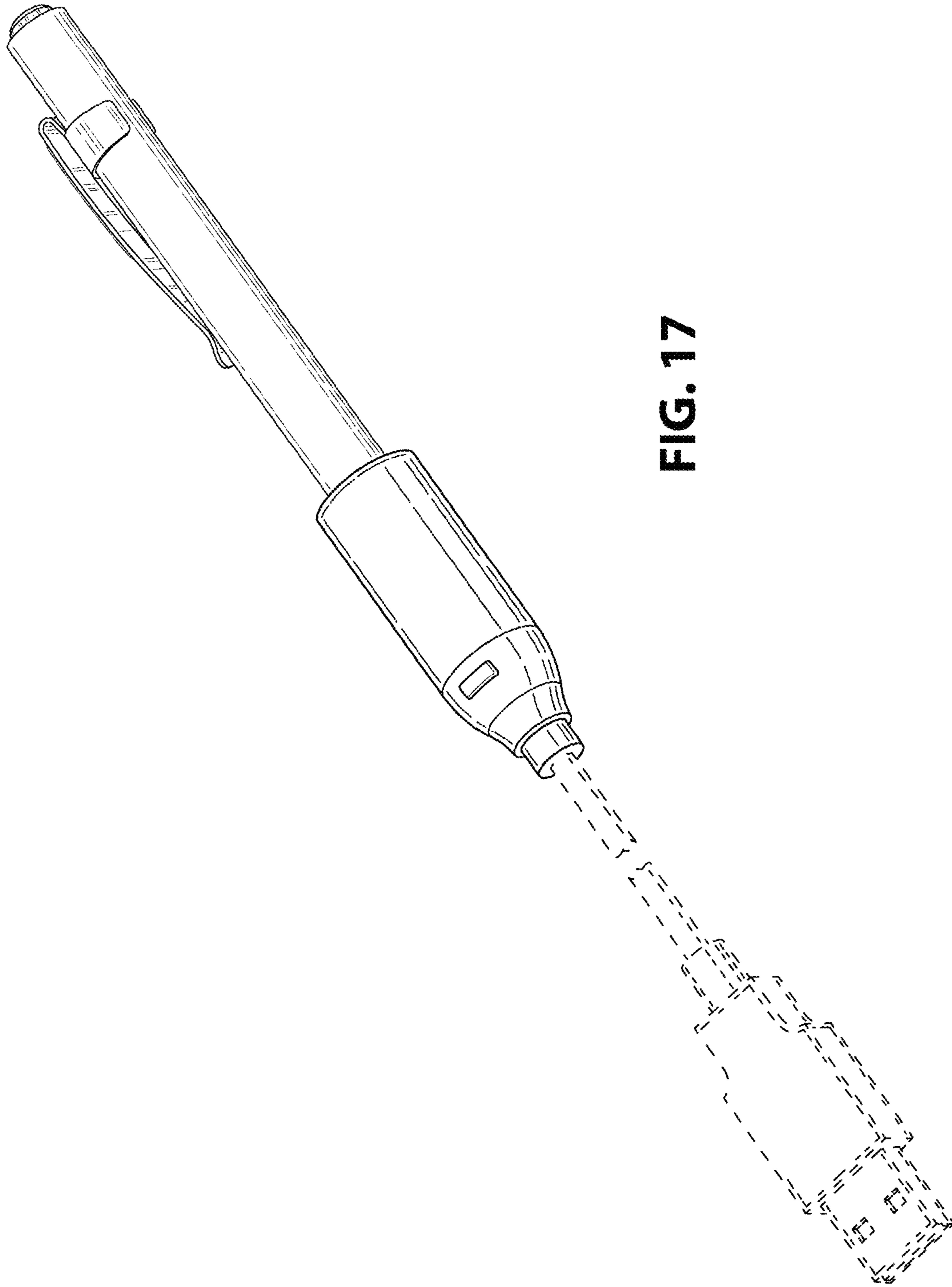


FIG. 17

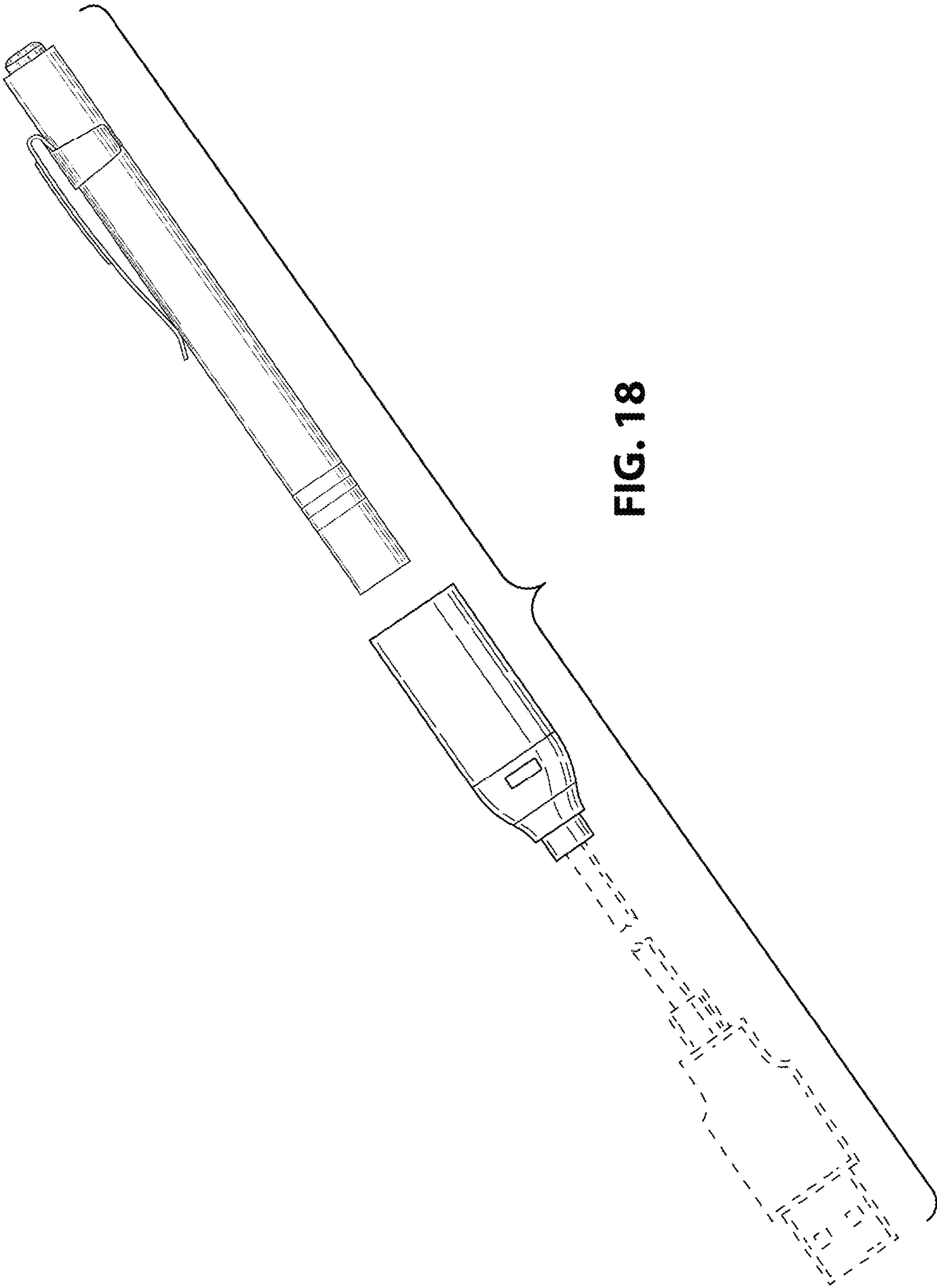


FIG. 18

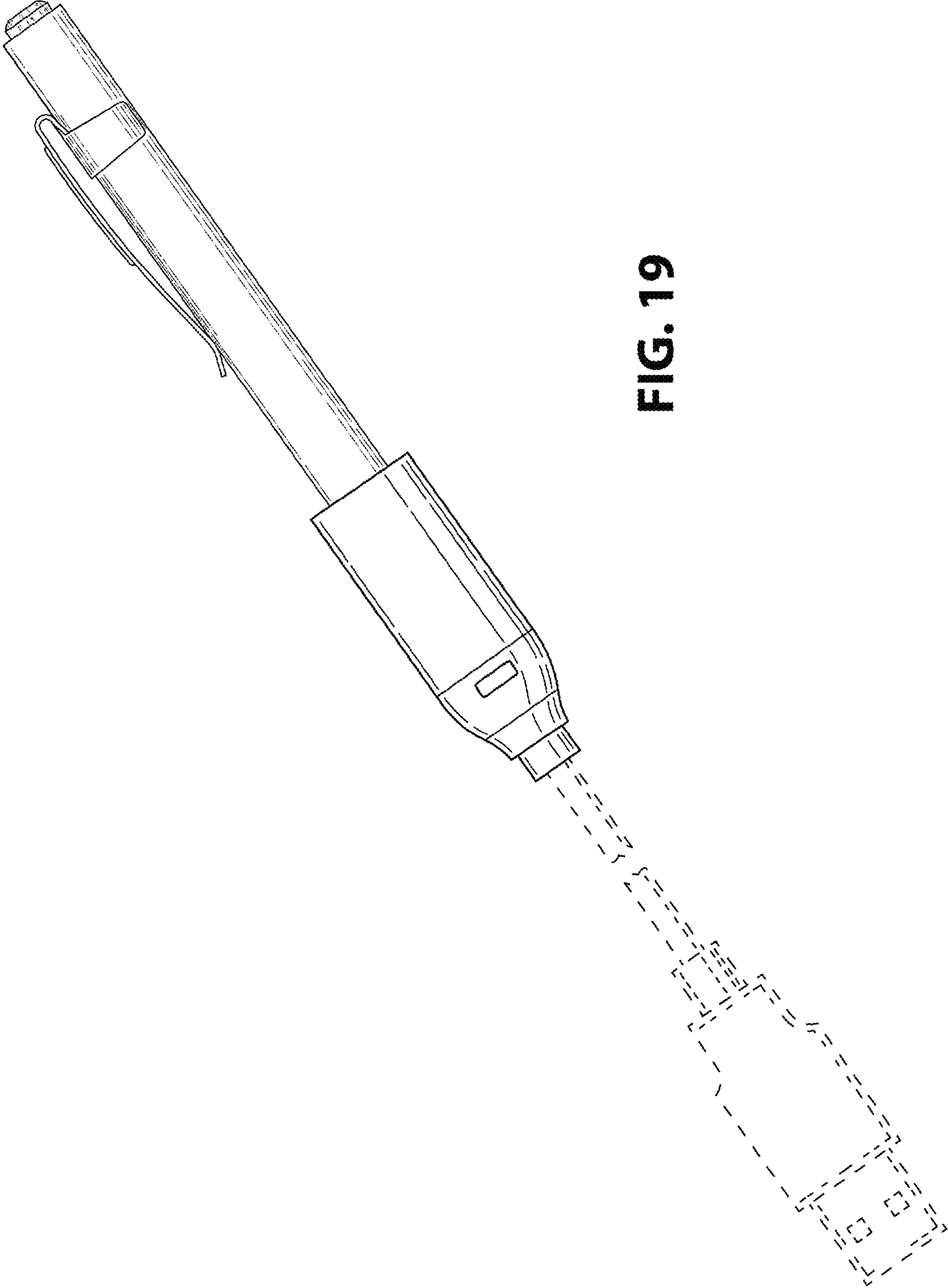


FIG. 19