



US00D810977S

(12) **United States Design Patent** (10) **Patent No.:** **US D810,977 S**
Piscitelli et al. (45) **Date of Patent:** **** Feb. 20, 2018**

(54) **VEHICLE TAIL LAMP**

(56) **References Cited**

(71) Applicants: **Chris Piscitelli**, West Bloomfield, MI (US); **Vincent J. Galante**, Lake Orion, MI (US); **Brian H. Nielander**, Royal Oak, MI (US)

U.S. PATENT DOCUMENTS

D552,769 S	*	10/2007	Leclercq	D26/28
D553,268 S	*	10/2007	Pfeiffer	D26/28
D560,292 S	*	1/2008	Sato	D26/28
D561,357 S	*	2/2008	Leclercq	D26/28
D565,211 S	*	3/2008	Haller	D26/28
D574,524 S	*	8/2008	Tomatsu	D26/28
D605,793 S	*	12/2009	Weil	D26/28

(72) Inventors: **Chris Piscitelli**, West Bloomfield, MI (US); **Vincent J. Galante**, Lake Orion, MI (US); **Brian H. Nielander**, Royal Oak, MI (US)

* cited by examiner

(73) Assignee: **FCA US LLC**, Auburn Hills, MI (US)

Primary Examiner — Marcus Jackson

(**) Term: **15 Years**

(74) *Attorney, Agent, or Firm* — Ralph E. Smith

(21) Appl. No.: **29/594,758**

(57) **CLAIM**

(22) Filed: **Feb. 22, 2017**

The ornamental design for a vehicle tail lamp, as shown and described.

Related U.S. Application Data

DESCRIPTION

(63) Continuation-in-part of application No. 29/568,731, filed on Jun. 21, 2016.

(51) **LOC (11) Cl.** **26-06**

(52) **U.S. Cl.**
USPC **D26/28**

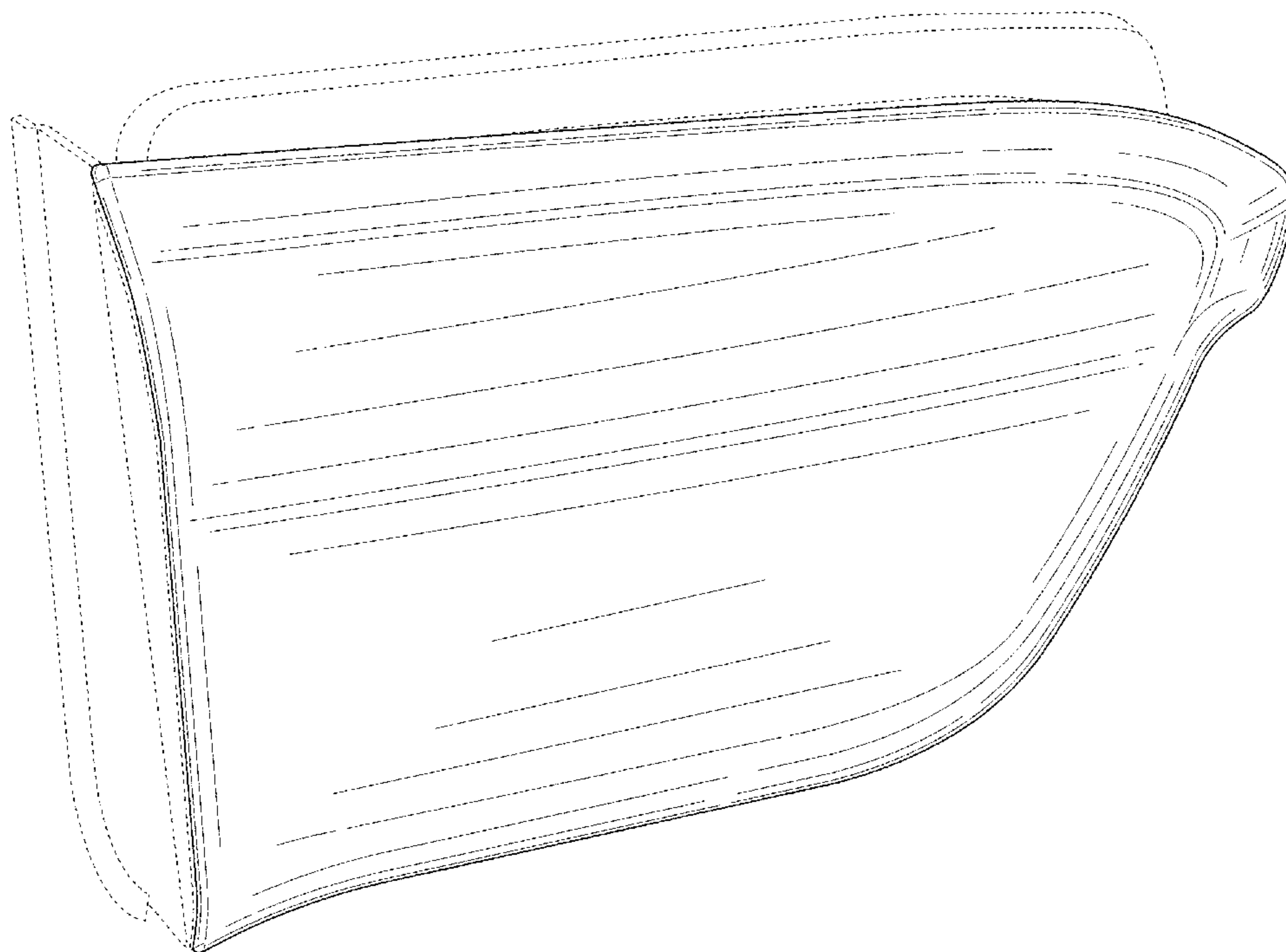
(58) **Field of Classification Search**
USPC D26/28-36; 362/80-83, 267-269, 362/459-468, 475-478, 485-487
CPC B60Q 9/13; B60Q 9/135; B60Q 9/1375; F21S 48/00; F21S 48/10; F21S 48/115; F21S 48/1233; F21S 48/1266; F21S 48/1388; F21S 48/2268; F21V 21/04

FIG. 1 is a front perspective view of a vehicle tail lamp showing our new design;
FIG. 2 is a front view thereof;
FIG. 3 is a rear view thereof;
FIG. 4 is a top view thereof;
FIG. 5 is a bottom view thereof;
FIG. 6 is a right side view thereof; and,
FIG. 7 is a left side view.

It will be understood that the broken lines shown in the drawings illustrate portions of the vehicle tail lamp that form no part of claimed design.

See application file for complete search history.

1 Claim, 7 Drawing Sheets



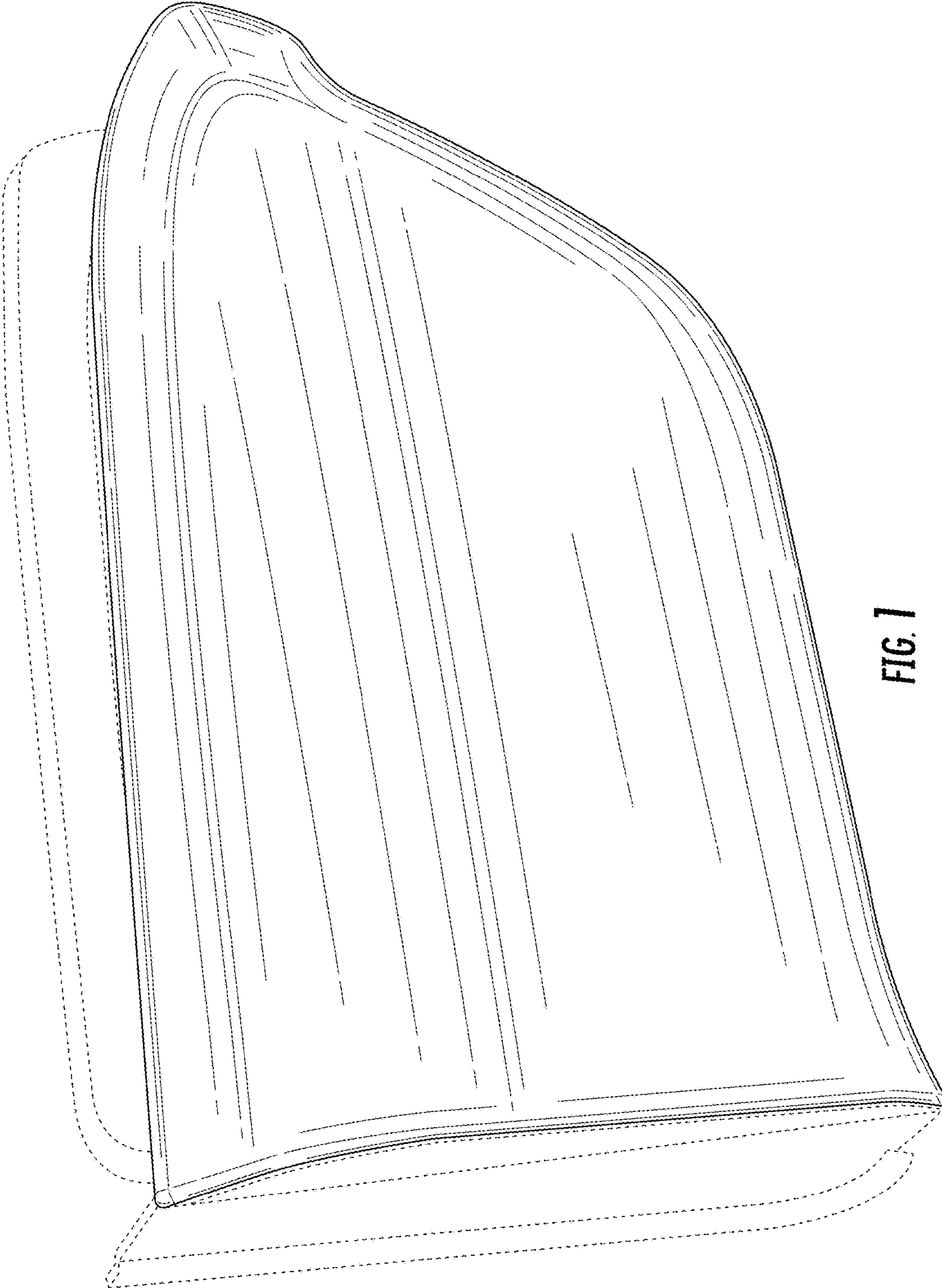


FIG. 1



FIG. 2

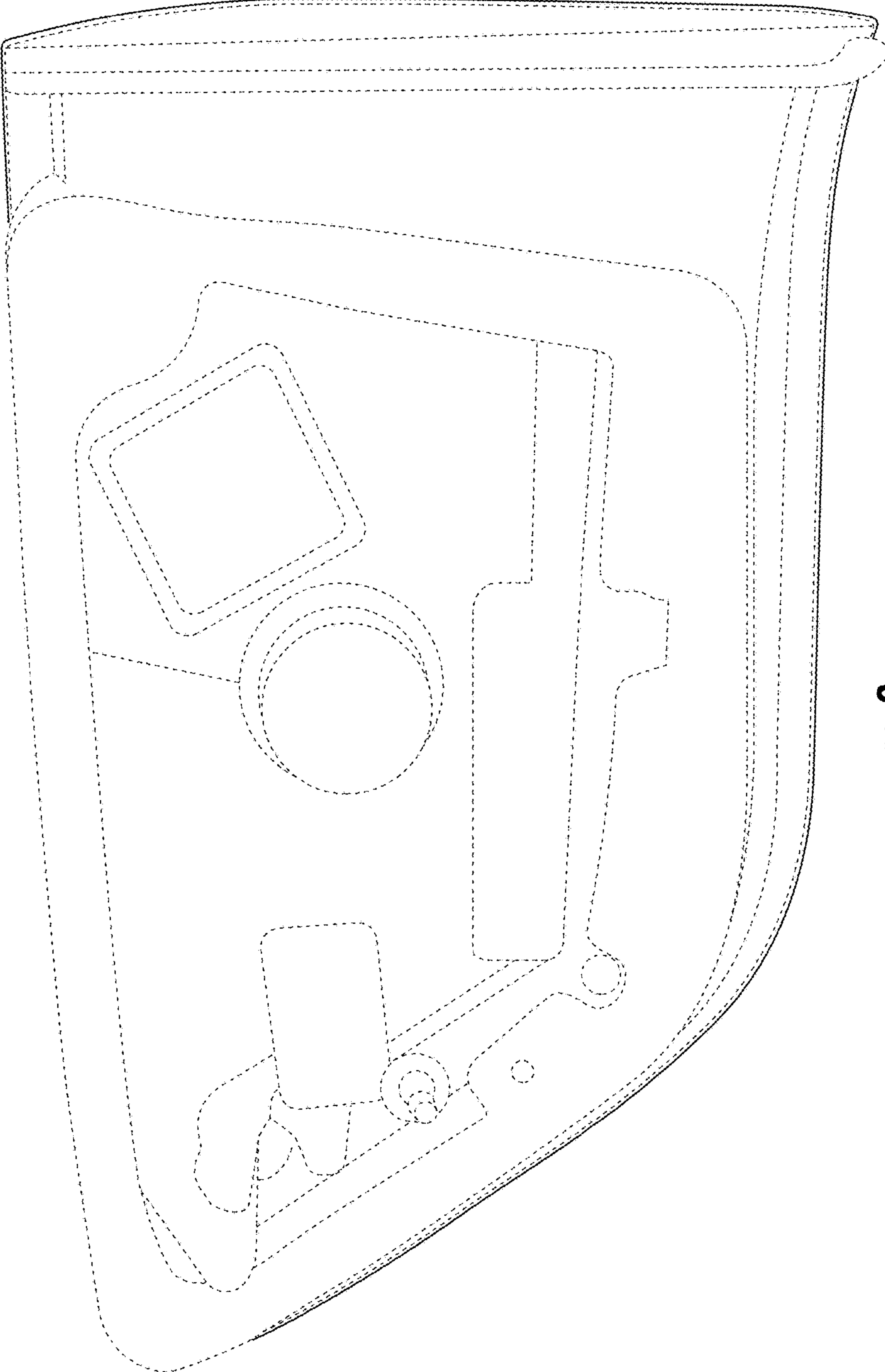


FIG. 3

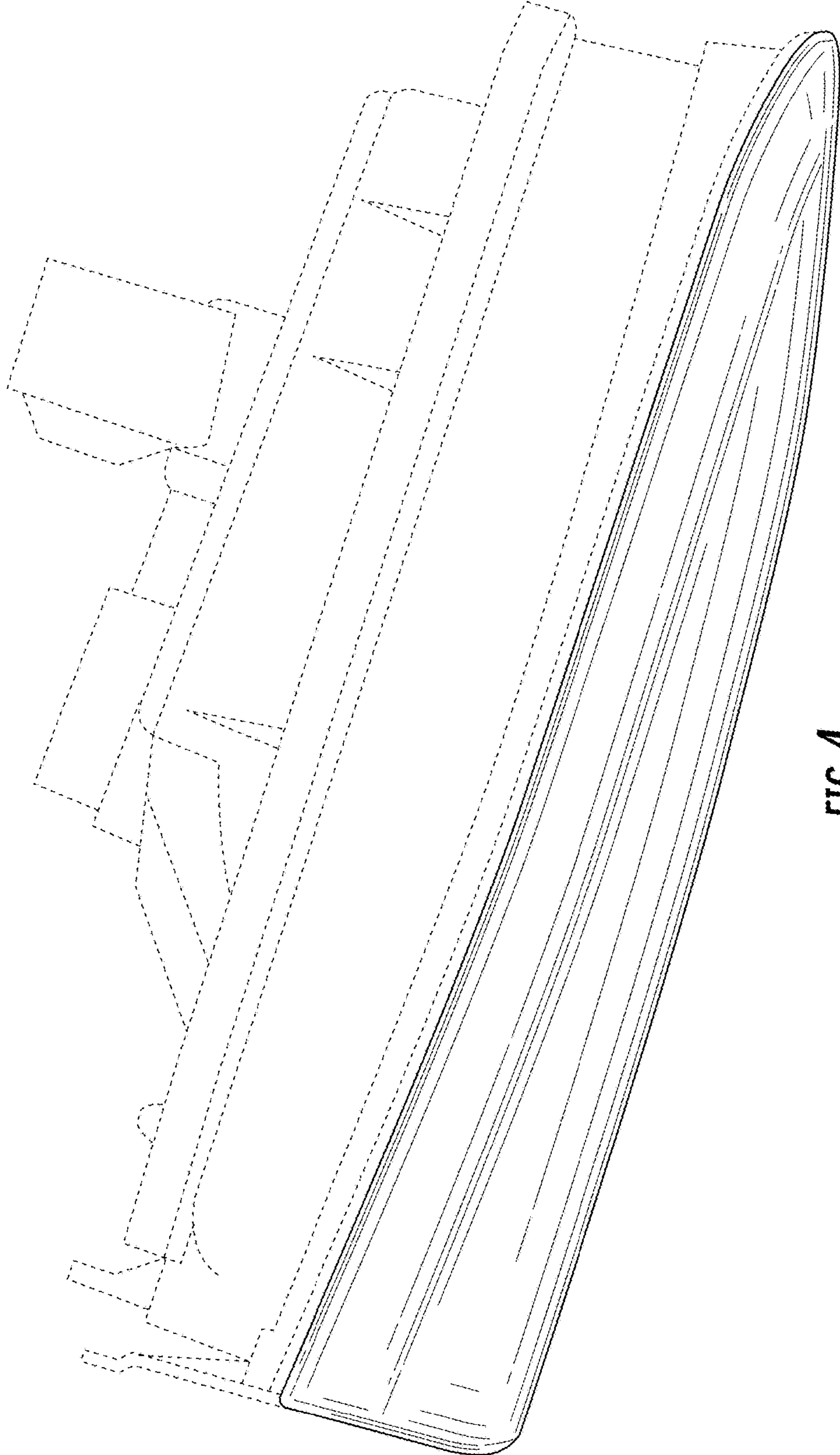


FIG. 4

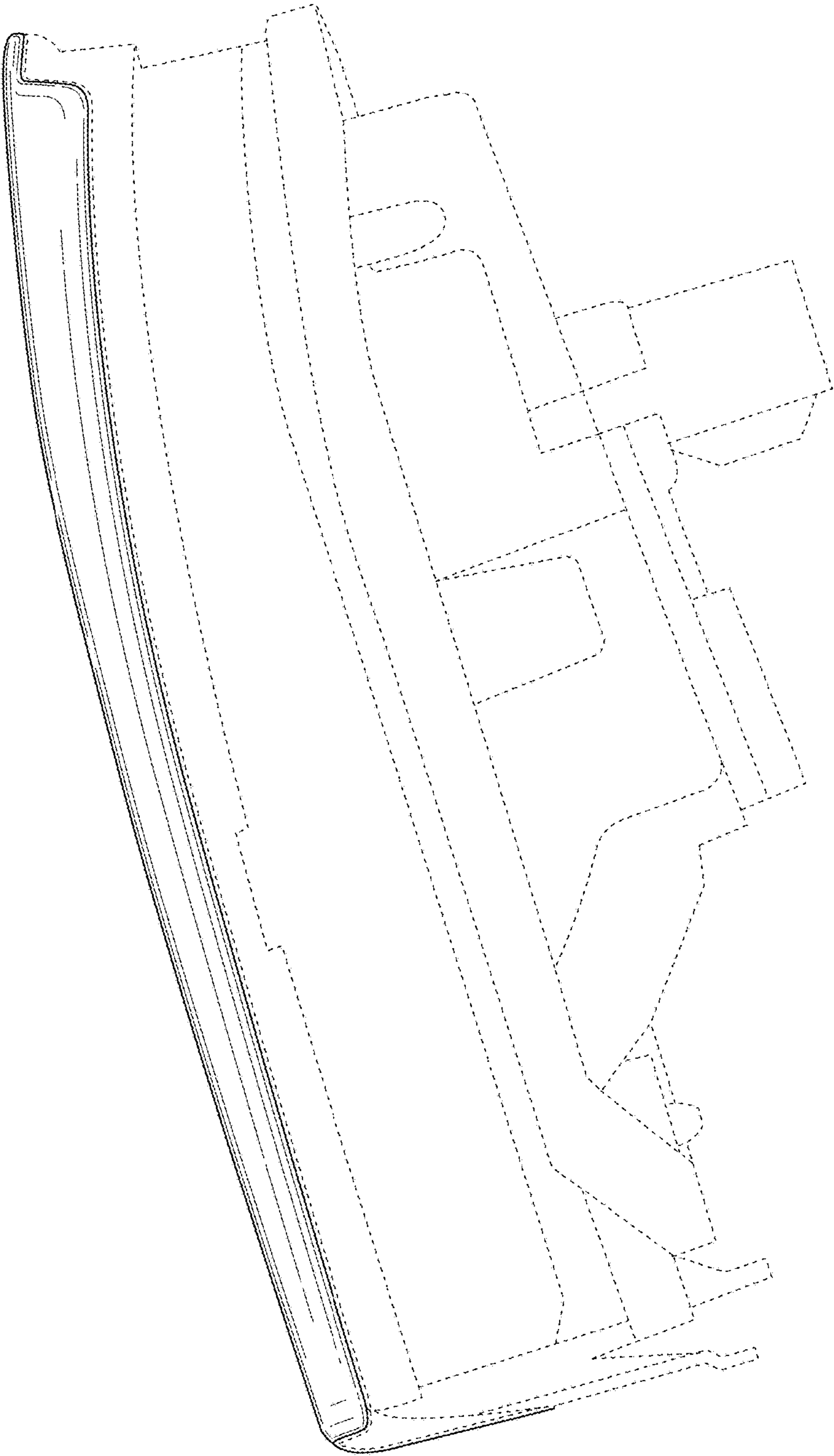


FIG. 5

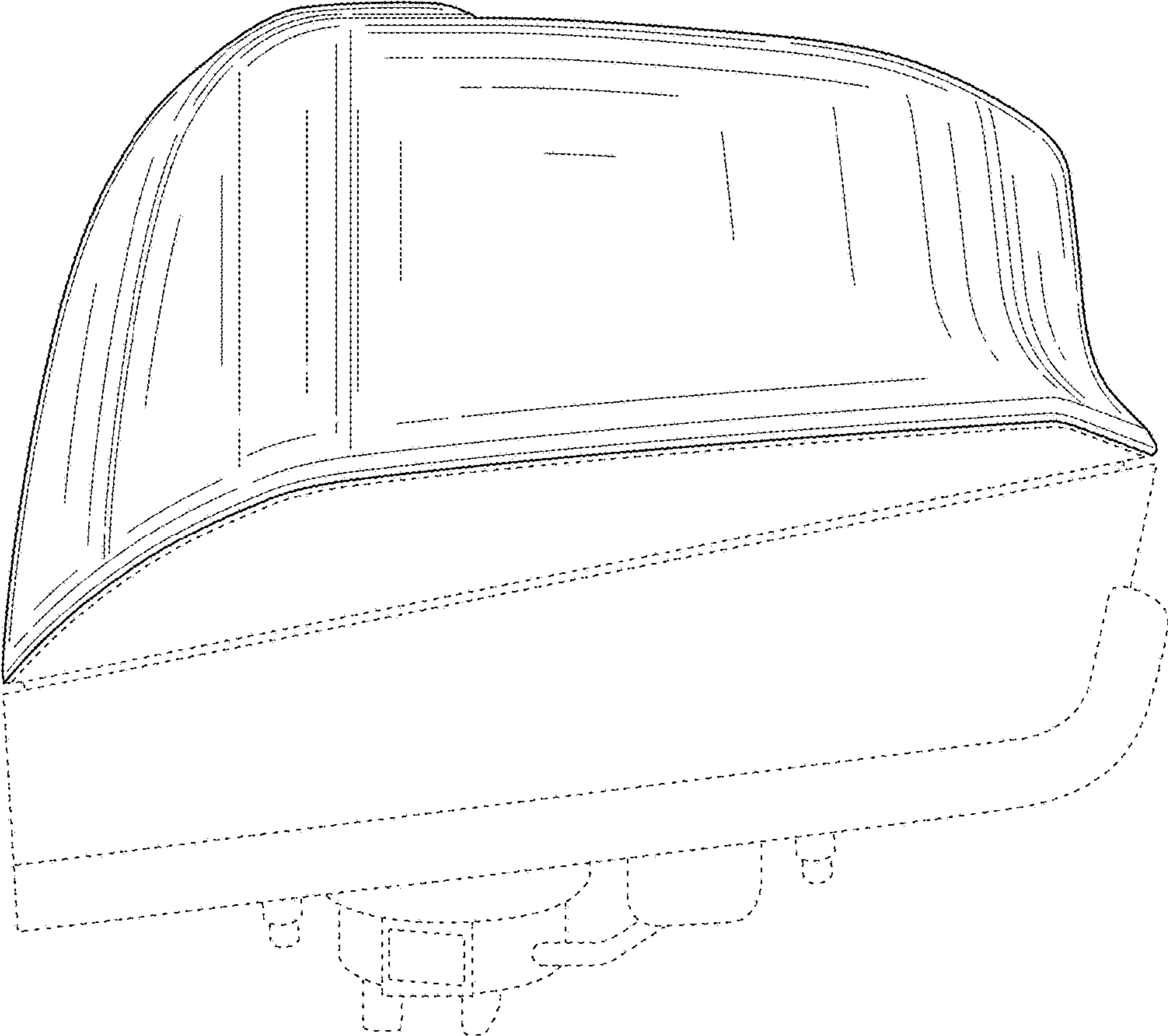


FIG. 6

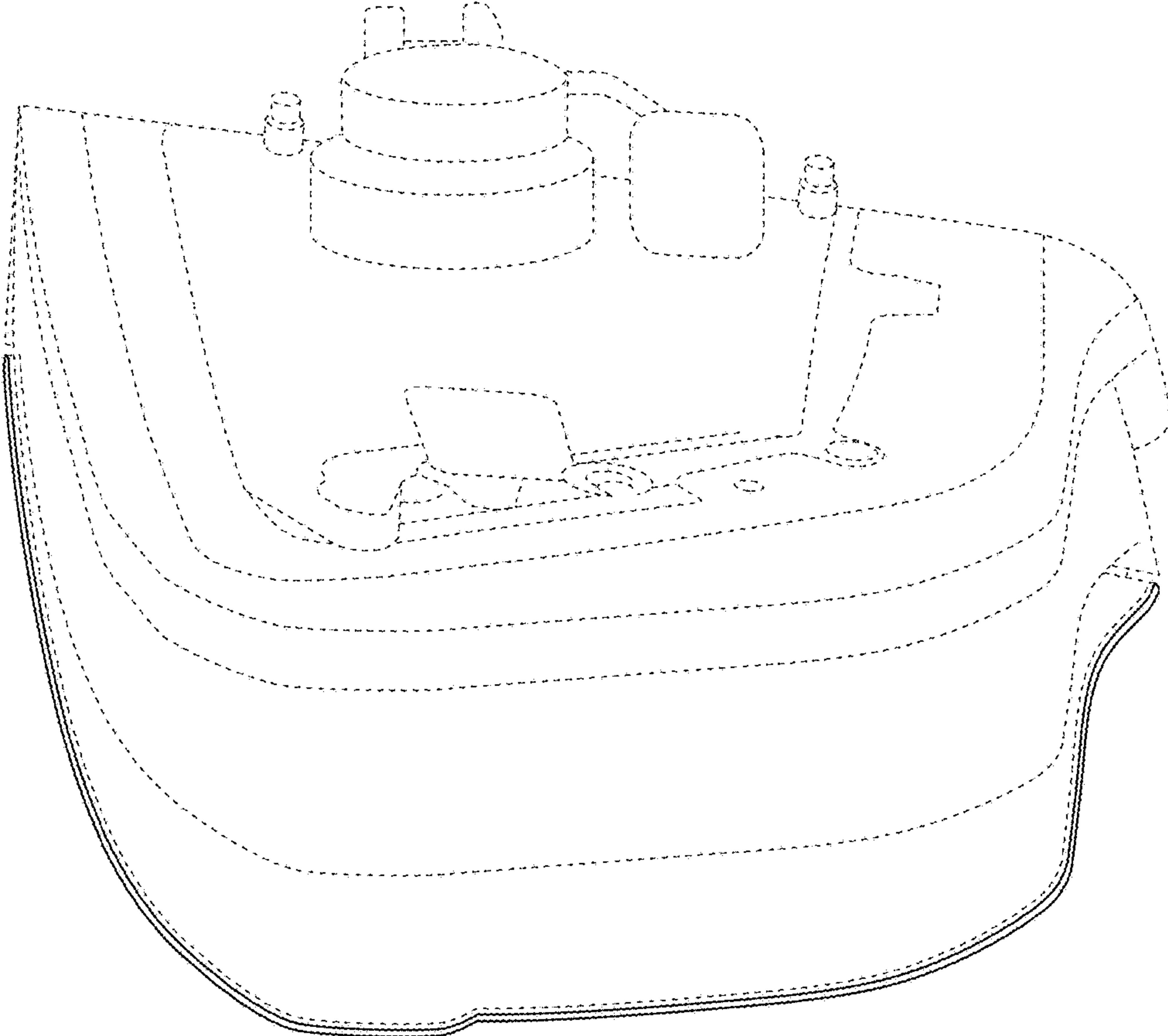


FIG. 7