



US00D810975S

(12) **United States Design Patent** (10) **Patent No.:** **US D810,975 S**
Piscitelli et al. (45) **Date of Patent:** **** Feb. 20, 2018**

(54) **VEHICLE HEADLAMP**

(56) **References Cited**

(71) Applicants: **Chris Piscitelli**, West Bloomfield, MI (US); **Vincent J. Galante**, Lake Orion, MI (US); **Brian H. Nielander**, Royal Oak, MI (US)

U.S. PATENT DOCUMENTS

D552,769 S	*	10/2007	Leclercq	D26/28
D553,268 S	*	10/2007	Pfeiffer	D26/28
D560,292 S	*	1/2008	Sato	D26/28
D561,357 S	*	2/2008	Leclercq	D26/28
D565,211 S	*	3/2008	Haller	D26/28
D574,524 S	*	8/2008	Tomatsu	D26/28
D605,793 S	*	12/2009	Weil	D26/28

(72) Inventors: **Chris Piscitelli**, West Bloomfield, MI (US); **Vincent J. Galante**, Lake Orion, MI (US); **Brian H. Nielander**, Royal Oak, MI (US)

* cited by examiner

(73) Assignee: **FCA US LLC**, Auburn Hills, MI (US)

Primary Examiner — Marcus Jackson

(**) Term: **15 Years**

(74) *Attorney, Agent, or Firm* — Ralph E. Smith

(21) Appl. No.: **29/594,734**

(57) **CLAIM**

(22) Filed: **Feb. 22, 2017**

The ornamental design for a vehicle headlamp, as shown and described.

Related U.S. Application Data

DESCRIPTION

(63) Continuation-in-part of application No. 29/568,731, filed on Jun. 21, 2016.

(51) **LOC (11) Cl.** **26-06**

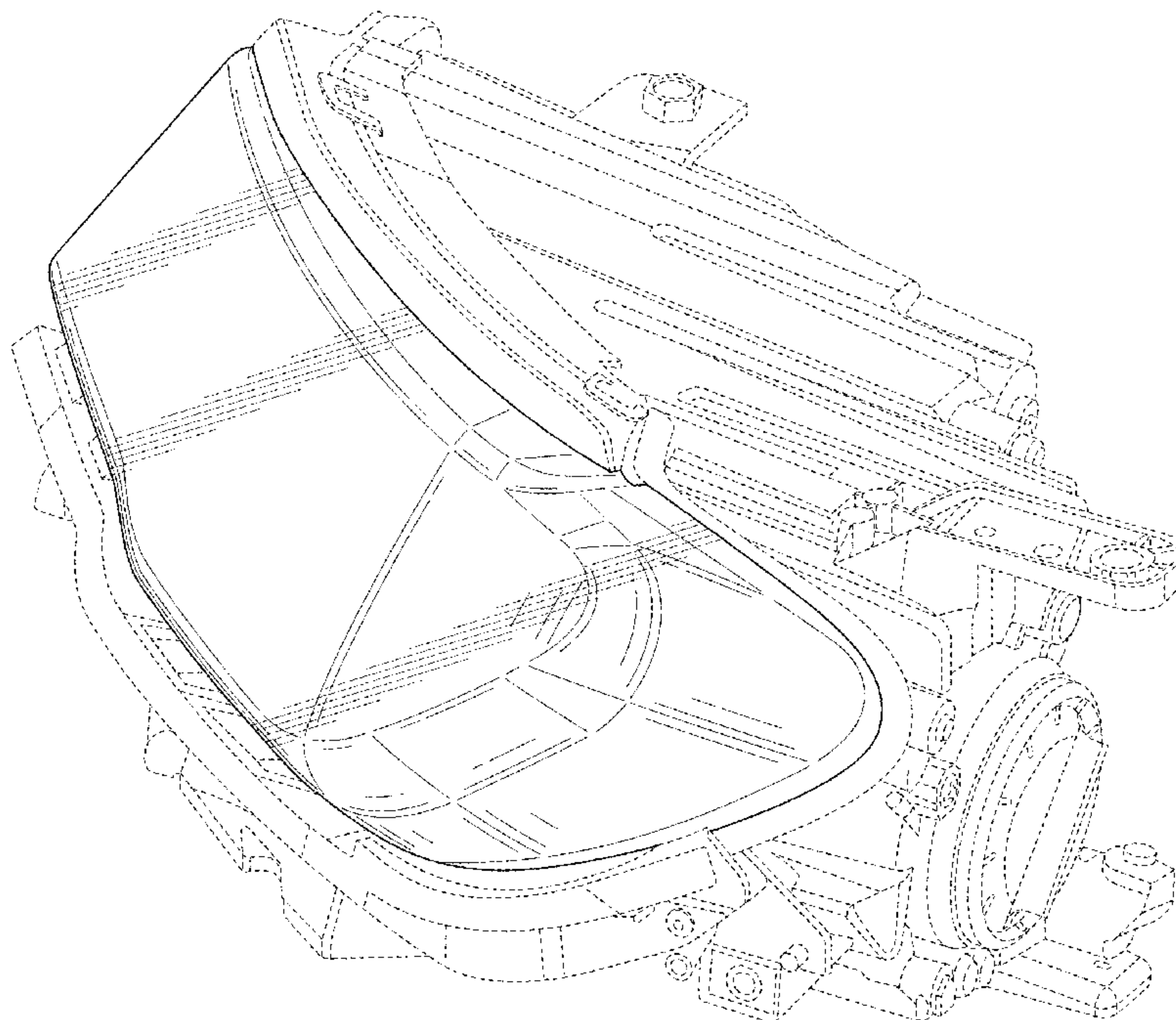
(52) **U.S. Cl.**
USPC **D26/28**

(58) **Field of Classification Search**
USPC D26/28-36; 362/80-83, 267-269, 362/459-468, 475-478, 485-487
CPC F21S 48/00; F21S 48/10; F21S 48/115; F21S 48/1233; F21S 48/1266; F21S 48/1388; F21S 48/2268; F21V 21/04
See application file for complete search history.

FIG. 1 is a front perspective view of a vehicle headlamp showing our new design;
FIG. 2 is a front view thereof;
FIG. 3 is a rear view thereof;
FIG. 4 is a side view thereof;
FIG. 5 is a top view thereof; and,
FIG. 6 is a bottom view.

It will be understood that the broken lines shown in the drawings illustrate portions of the vehicle headlamp that form no part of claimed design.

1 Claim, 6 Drawing Sheets



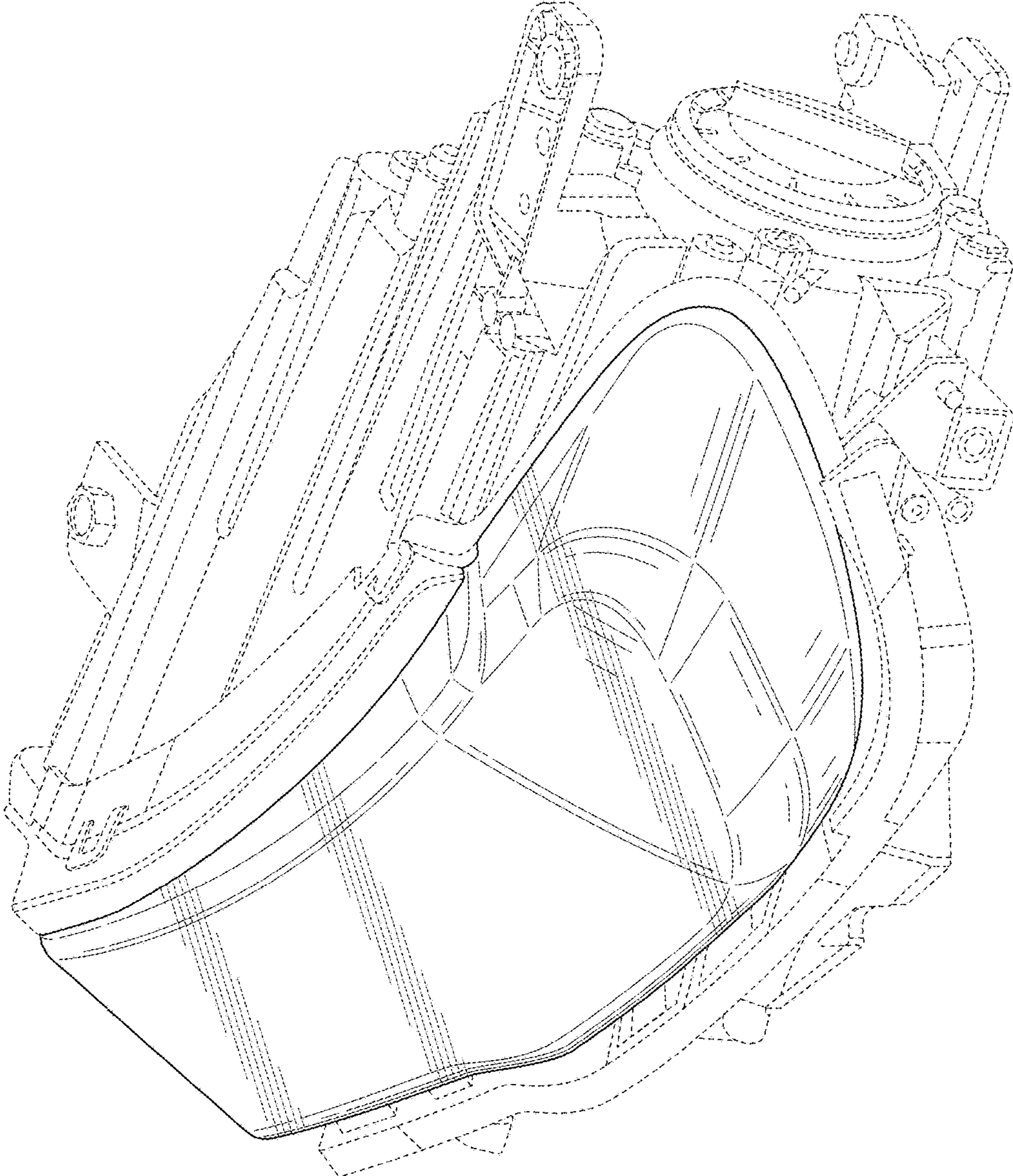


FIG. 1

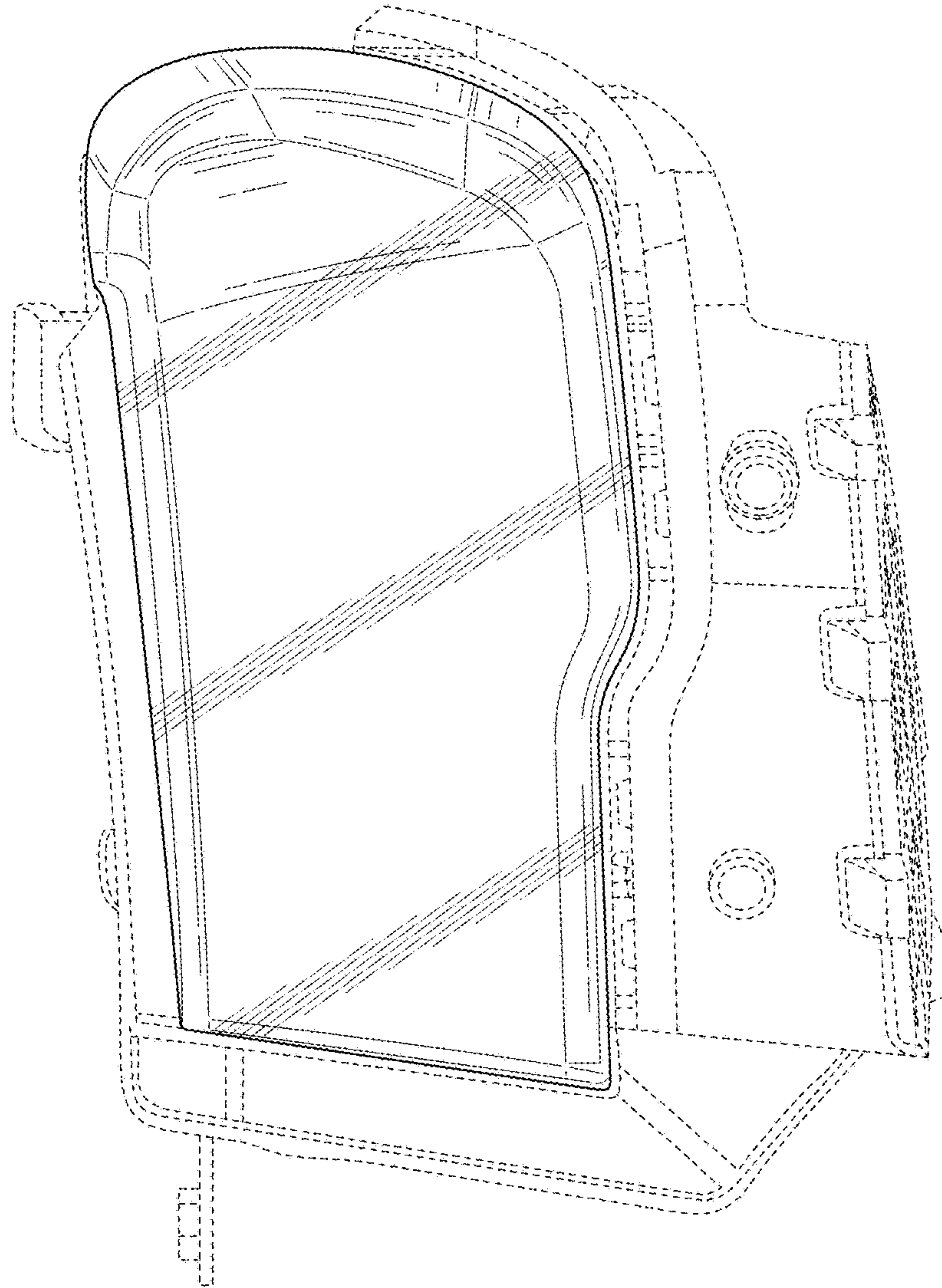


FIG. 2

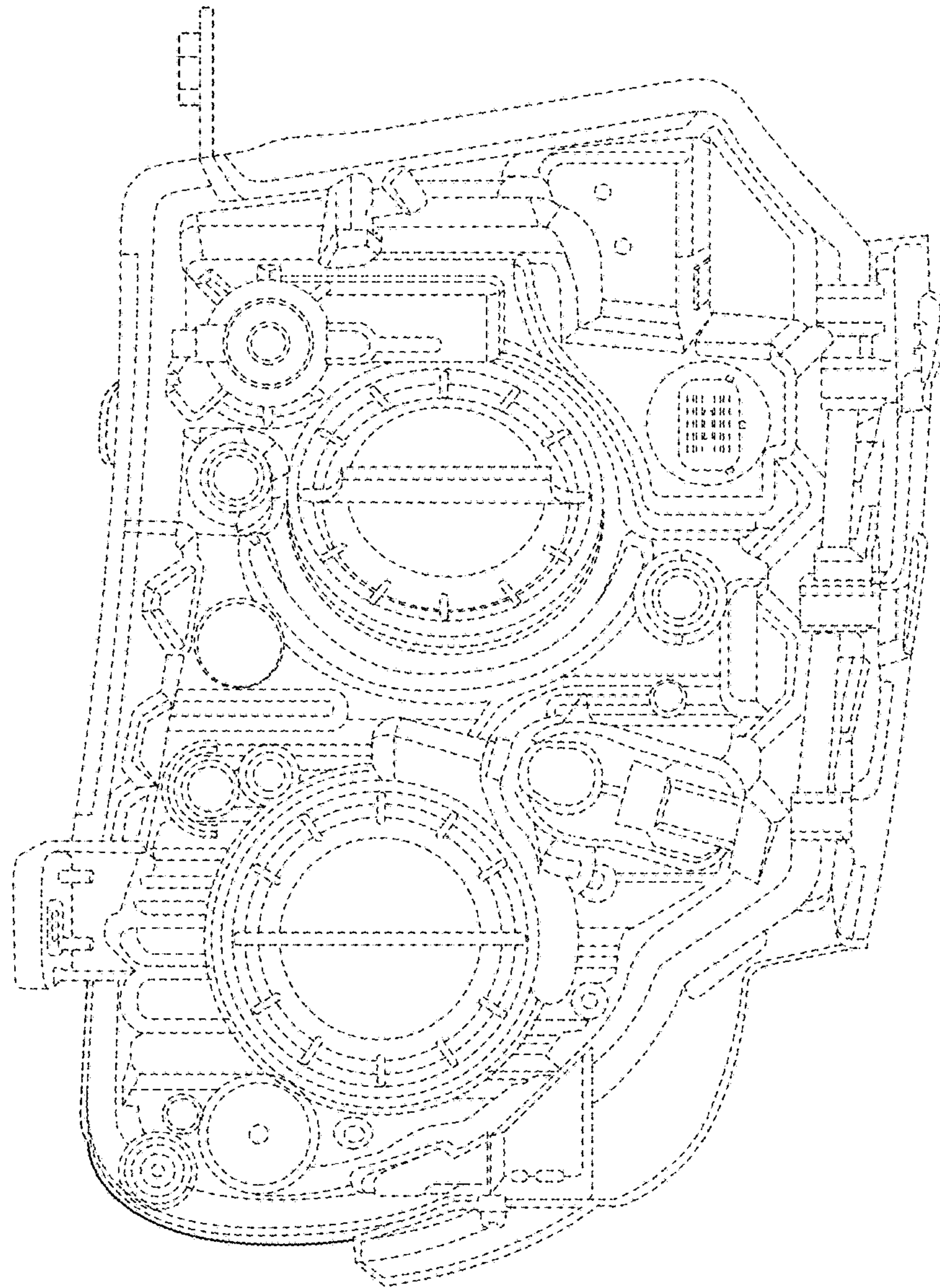


FIG. 3

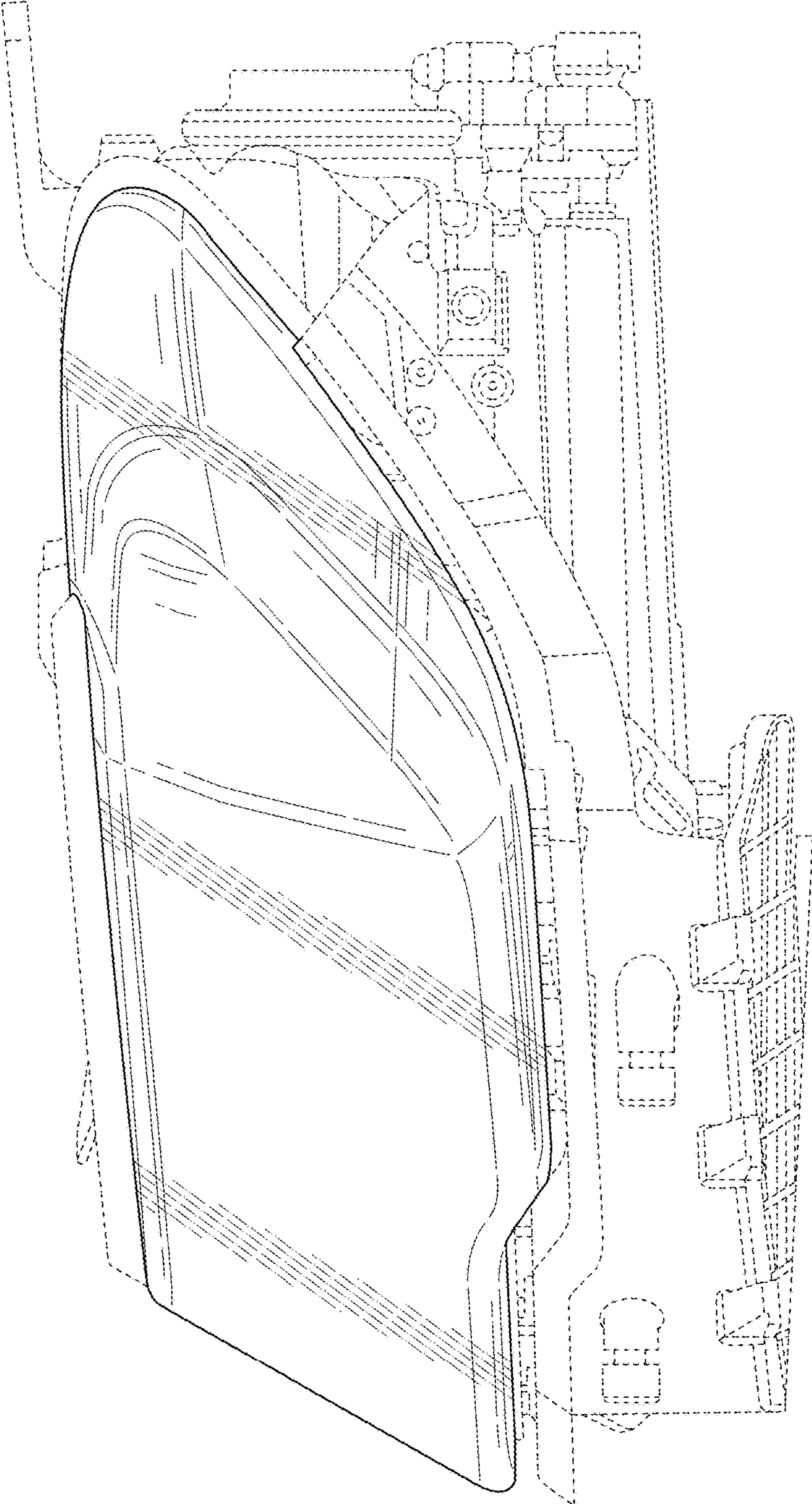


FIG. 4

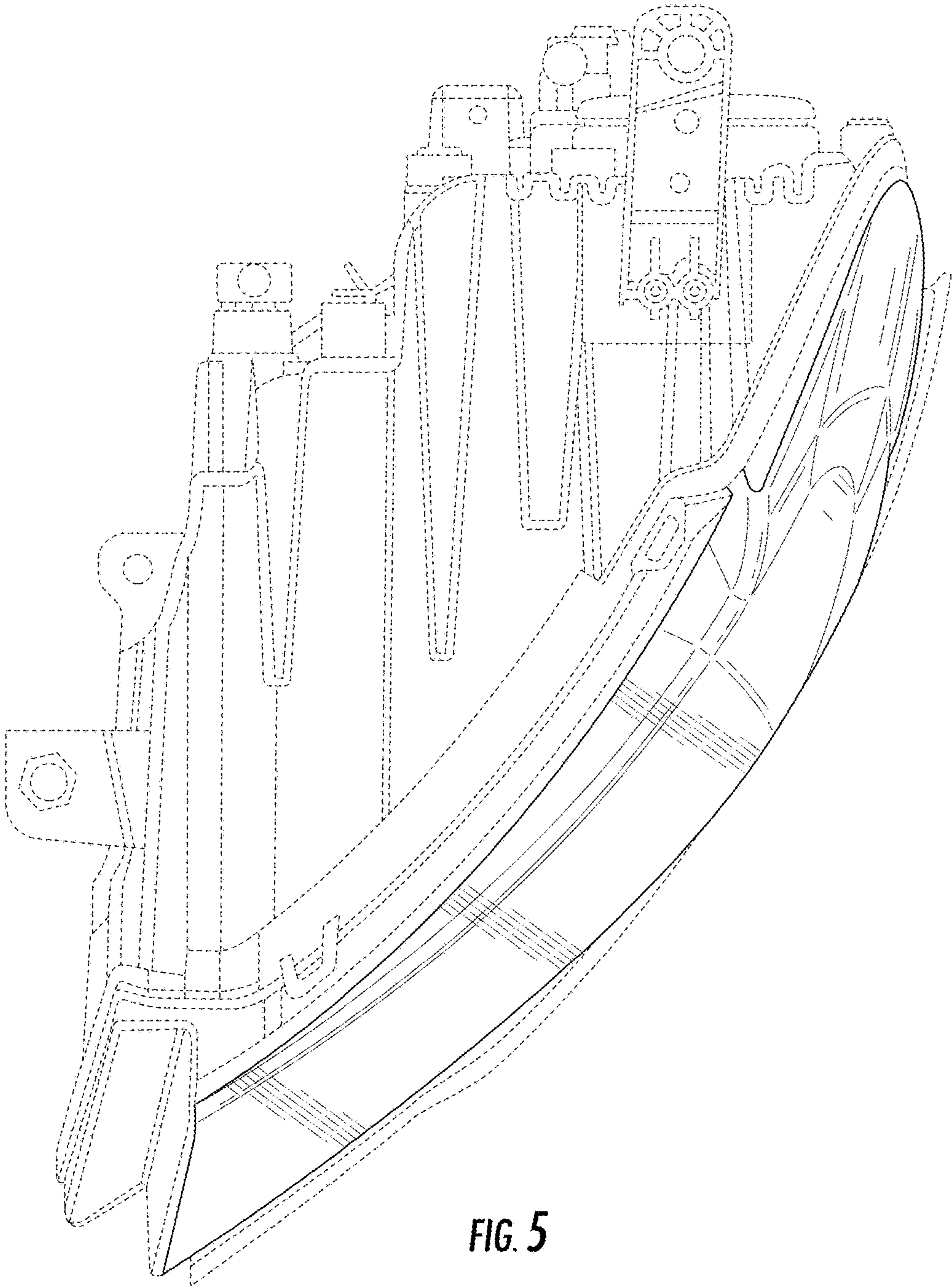


FIG. 5

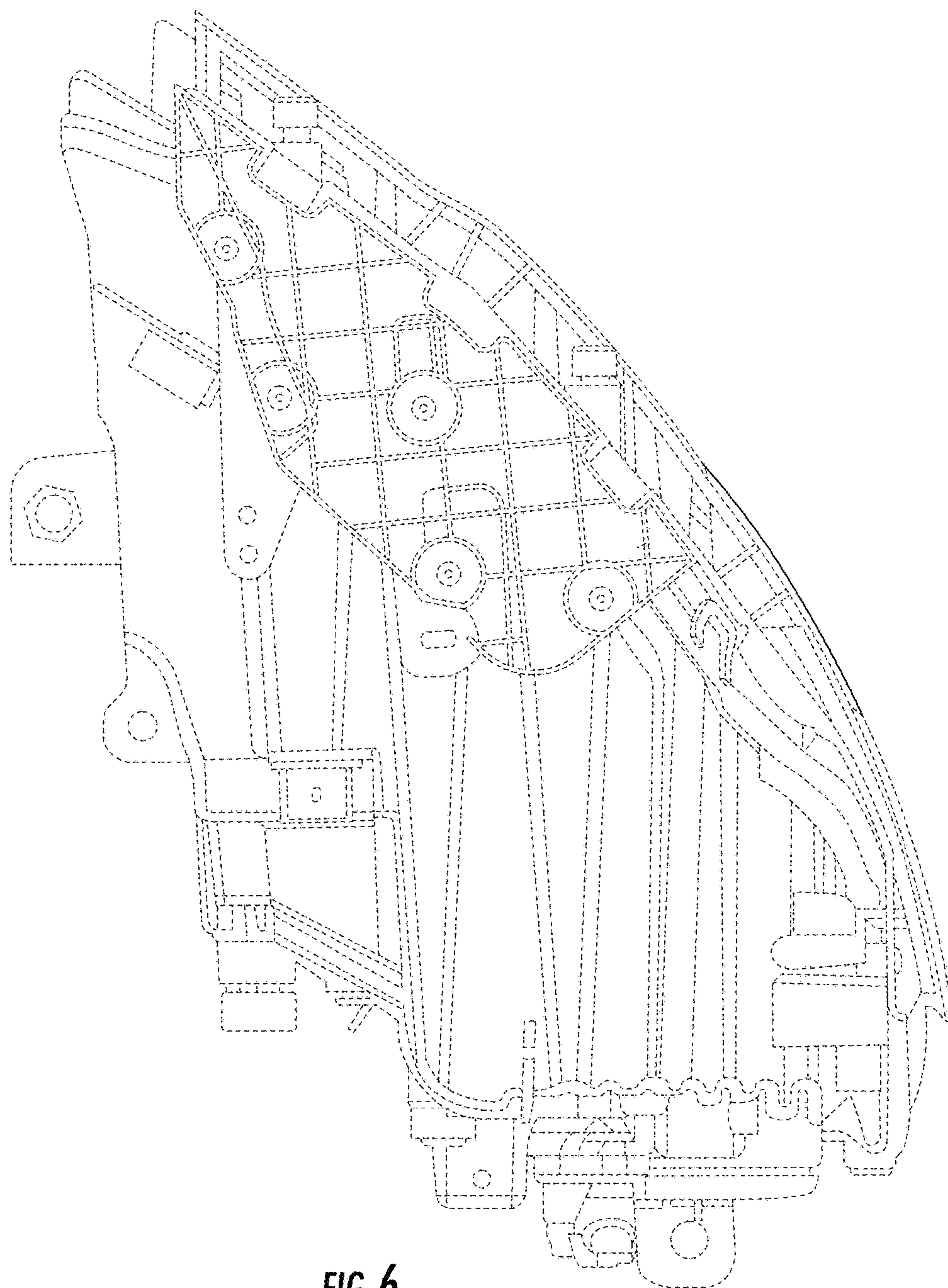


FIG. 6