



US00D810973S

(12) **United States Design Patent** (10) **Patent No.:** **US D810,973 S**
Jacq et al. (45) **Date of Patent:** **** Feb. 20, 2018**

(54) **LIGHTING DEVICE** D600,838 S * 9/2009 Kuboshima D26/28
 D613,440 S 4/2010 Lindholm
 (71) Applicant: **VALEO VISION**, Bobigny (FR) D693,500 S * 11/2013 Souvay et al.
 D694,928 S 12/2013 Chen
 (72) Inventors: **Alain Jacq**, Le Perreux sur Marne D708,373 S * 7/2014 Kani D26/28
 (FR); **Laurent Sauzay**, Villejuif (FR) D711,023 S * 8/2014 Wu D26/28
 D712,079 S * 8/2014 DiPenti F21S 48/1104
 D26/28
 (73) Assignee: **VALEO VISION**, Bobigny (FR) D728,138 S * 4/2015 Christ D26/28
 D737,482 S * 8/2015 Kuge D26/28
 (**) Term: **15 Years** D739,581 S * 9/2015 Huang D26/28
 D741,528 S * 10/2015 Glover D26/28
 (21) Appl. No.: **29/588,005** D747,524 S * 1/2016 Jacq D26/63
 D757,969 S * 5/2016 Fan D26/28
 (22) Filed: **Dec. 16, 2016** D760,407 S * 6/2016 Yang D26/28
 D787,717 S * 5/2017 Jacq D26/28
 D788,334 S * 5/2017 Jacq D26/28

Related U.S. Application Data

(62) Division of application No. 29/535,345, filed on Aug. 5, 2015, now Pat. No. Des. 788,334.

Foreign Application Priority Data

Jul. 30, 2015 (WO) 911421201

(51) **LOC (11) Cl.** **26-07**
(52) **U.S. Cl.**
USPC **D26/28**

(58) **Field of Classification Search**
USPC D26/28-36; 362/459-468, 475-478,
362/485-487
CPC F21S 48/00; F21S 48/10; F21S 48/115;
F21S 48/225; F21S 48/1233; F21S
48/1266; F21S 48/1388; F21S 48/2268;
F21V 21/04
See application file for complete search history.

References Cited

U.S. PATENT DOCUMENTS

D235,227 S 5/1975 Cleary
D360,961 S 8/1995 Czerlanis et al.
D417,024 S 11/1999 Stuyfzand

* cited by examiner

Primary Examiner — Angela J Lee

(74) *Attorney, Agent, or Firm* — Oblon, McClelland,
Maier & Neustadt, L.L.P.

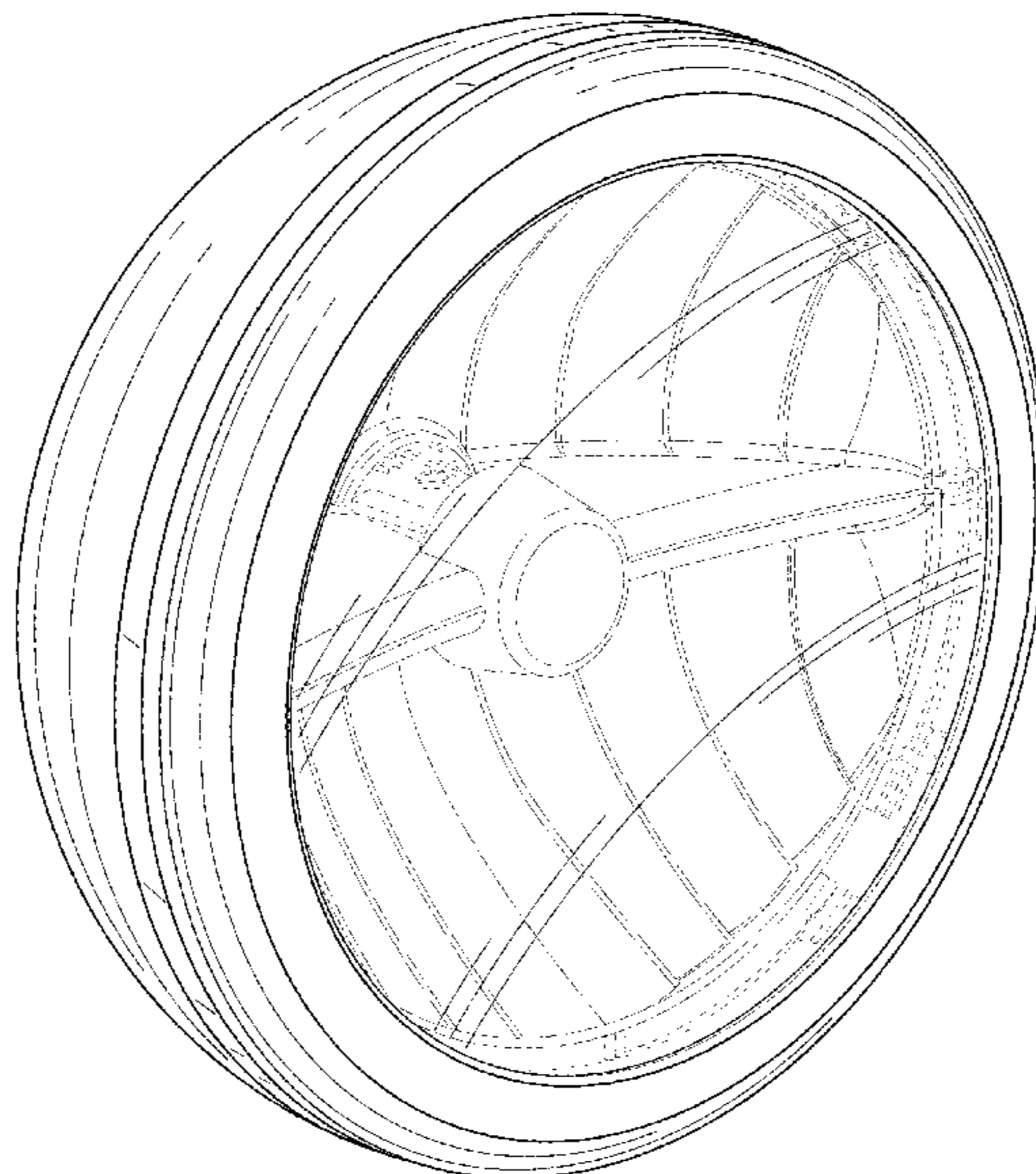
(57) **CLAIM**

The ornamental design for a lighting device, as shown and described.

DESCRIPTION

FIG. 1 is a front, top, and left side perspective view of a lighting device;
FIG. 2 is a front and top perspective view thereof;
FIG. 3 is a front elevational view thereof;
FIG. 4 is a rear elevational view thereof;
FIG. 5 is a top plan view thereof;
FIG. 6 is a bottom plan view thereof;
FIG. 7 is a right side elevational view thereof; and,
FIG. 8 is a left side elevational view thereof.
The broken lines in the drawings illustrate environmental subject matter and form no part of the claimed design.

1 Claim, 8 Drawing Sheets



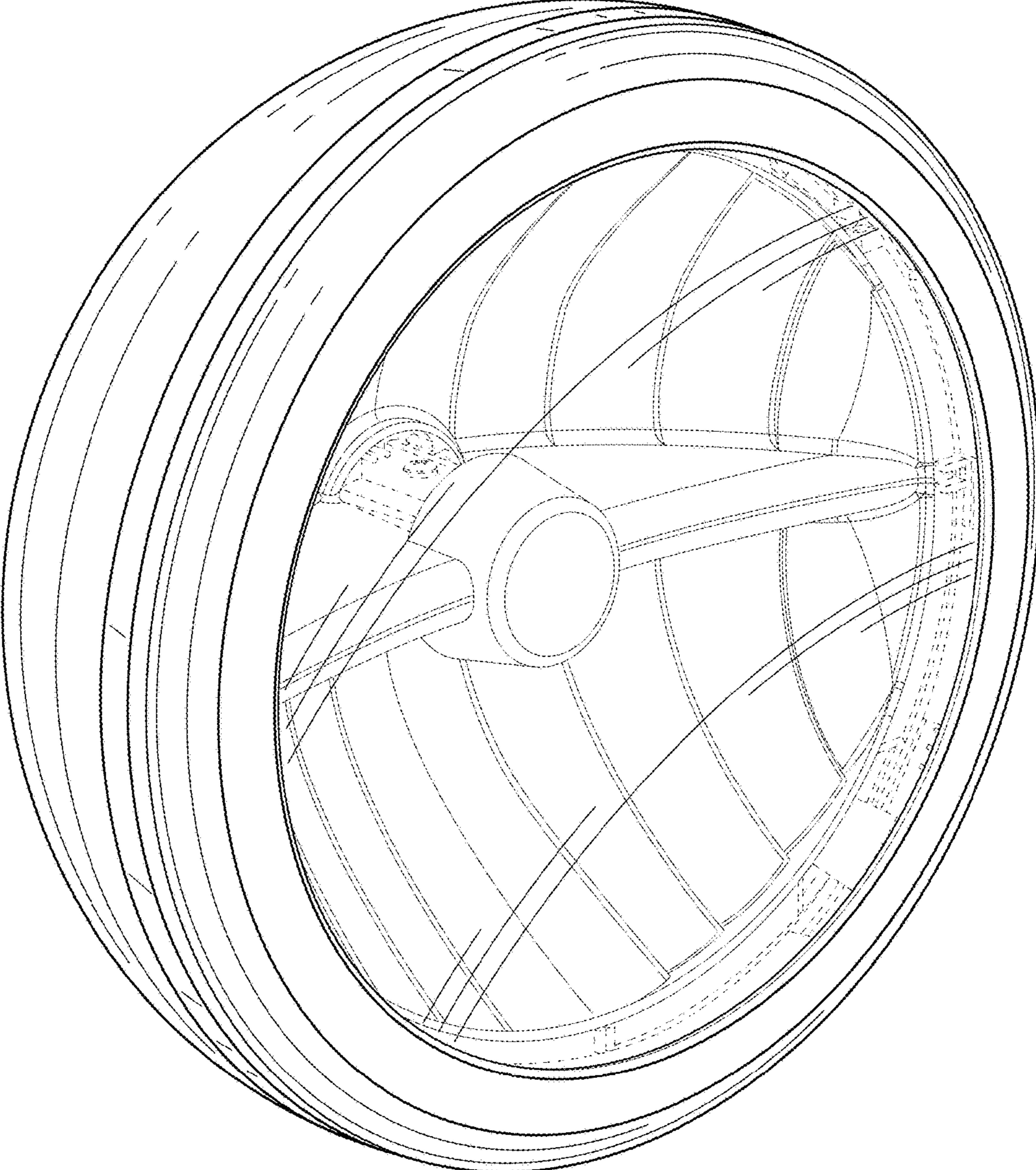


FIG. 1

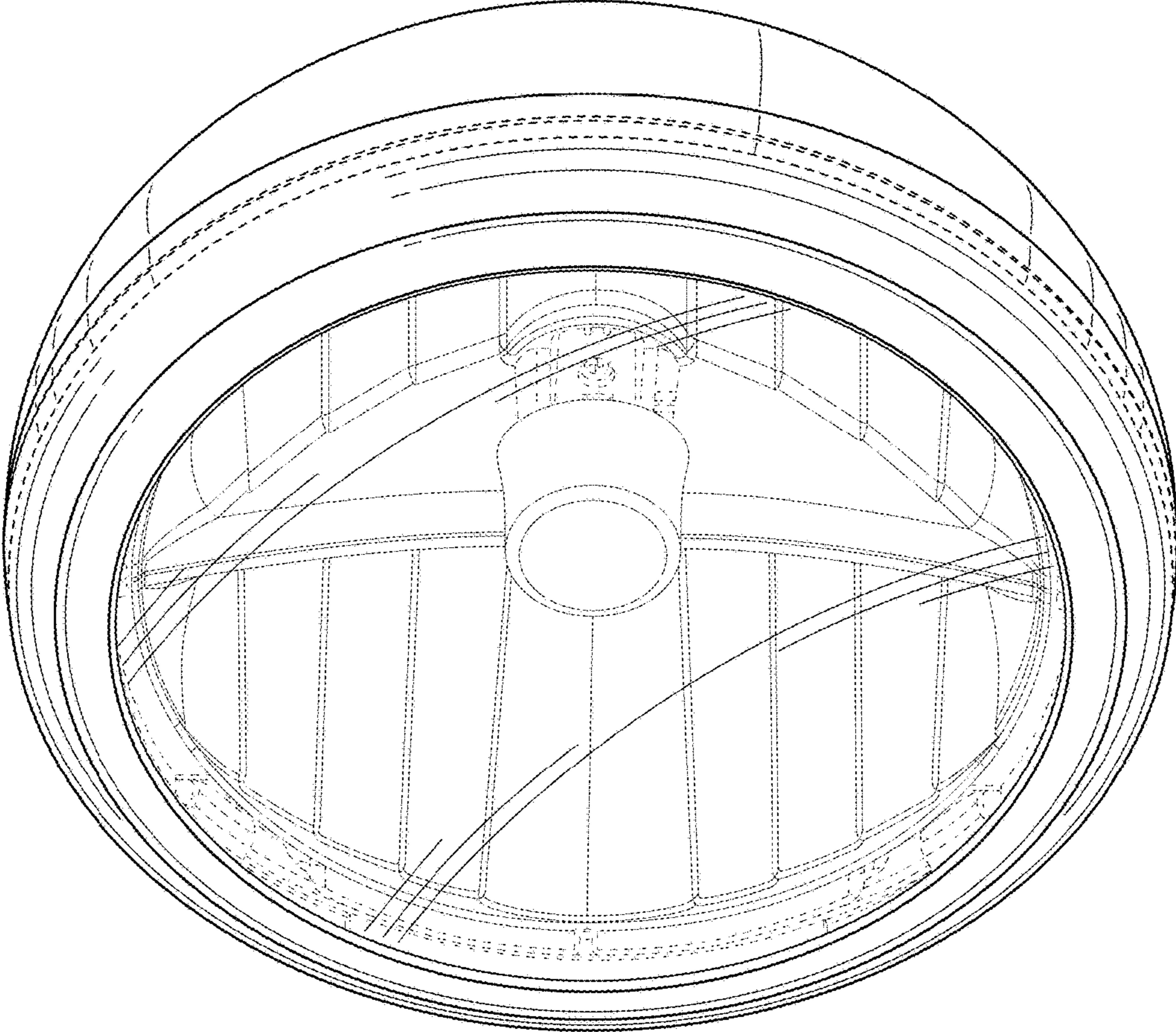


FIG. 2

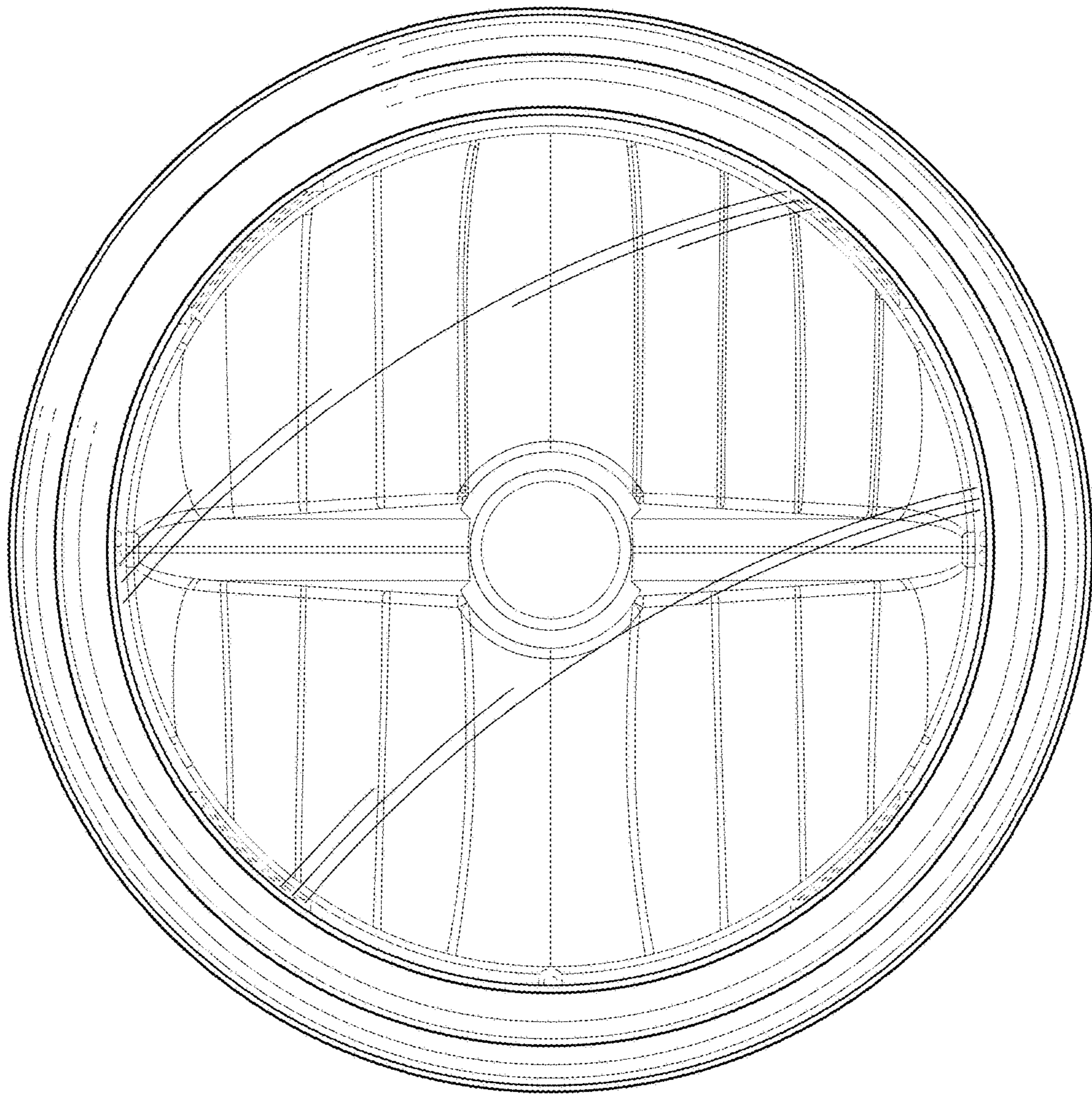


FIG. 3

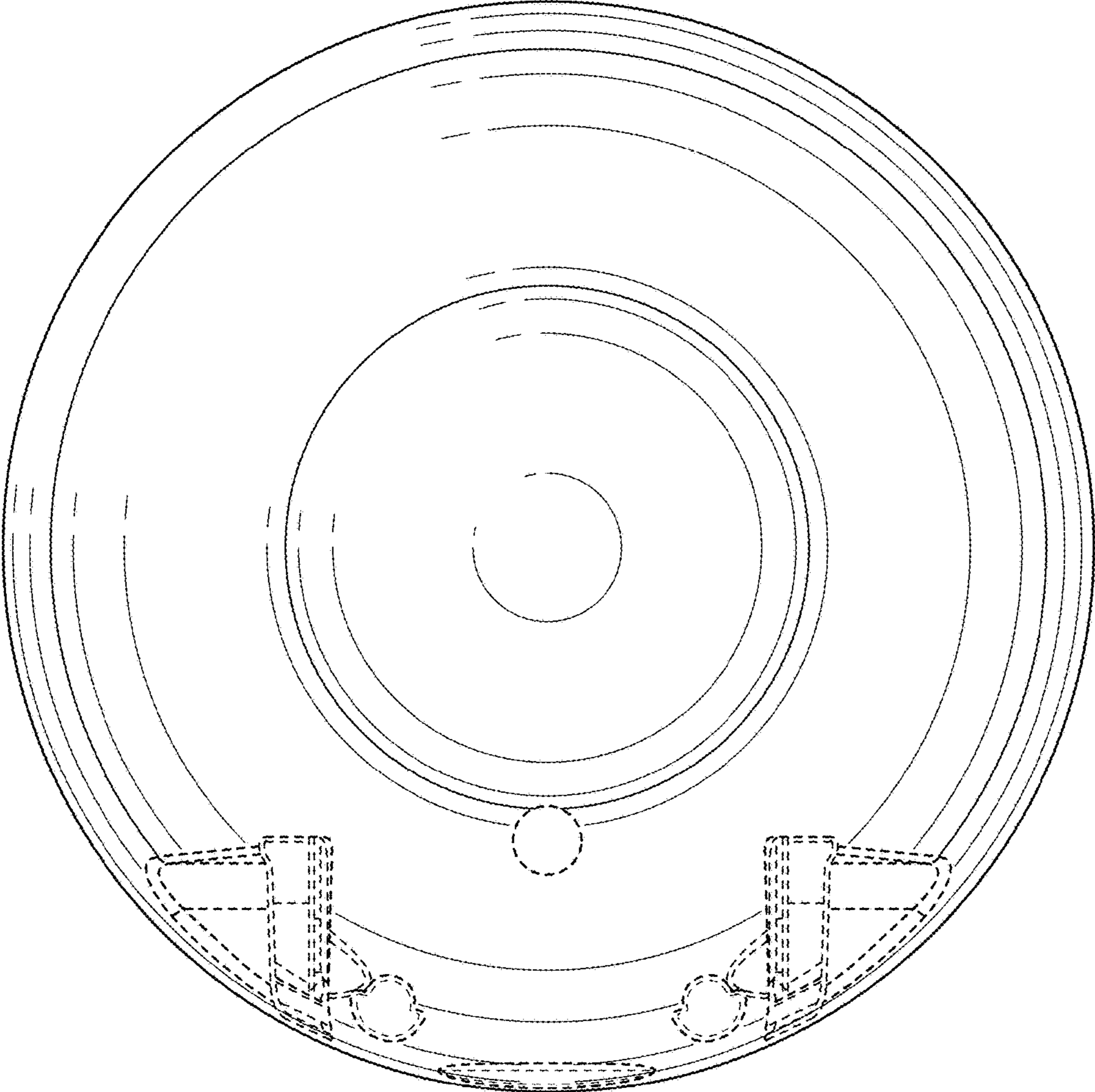


FIG. 4

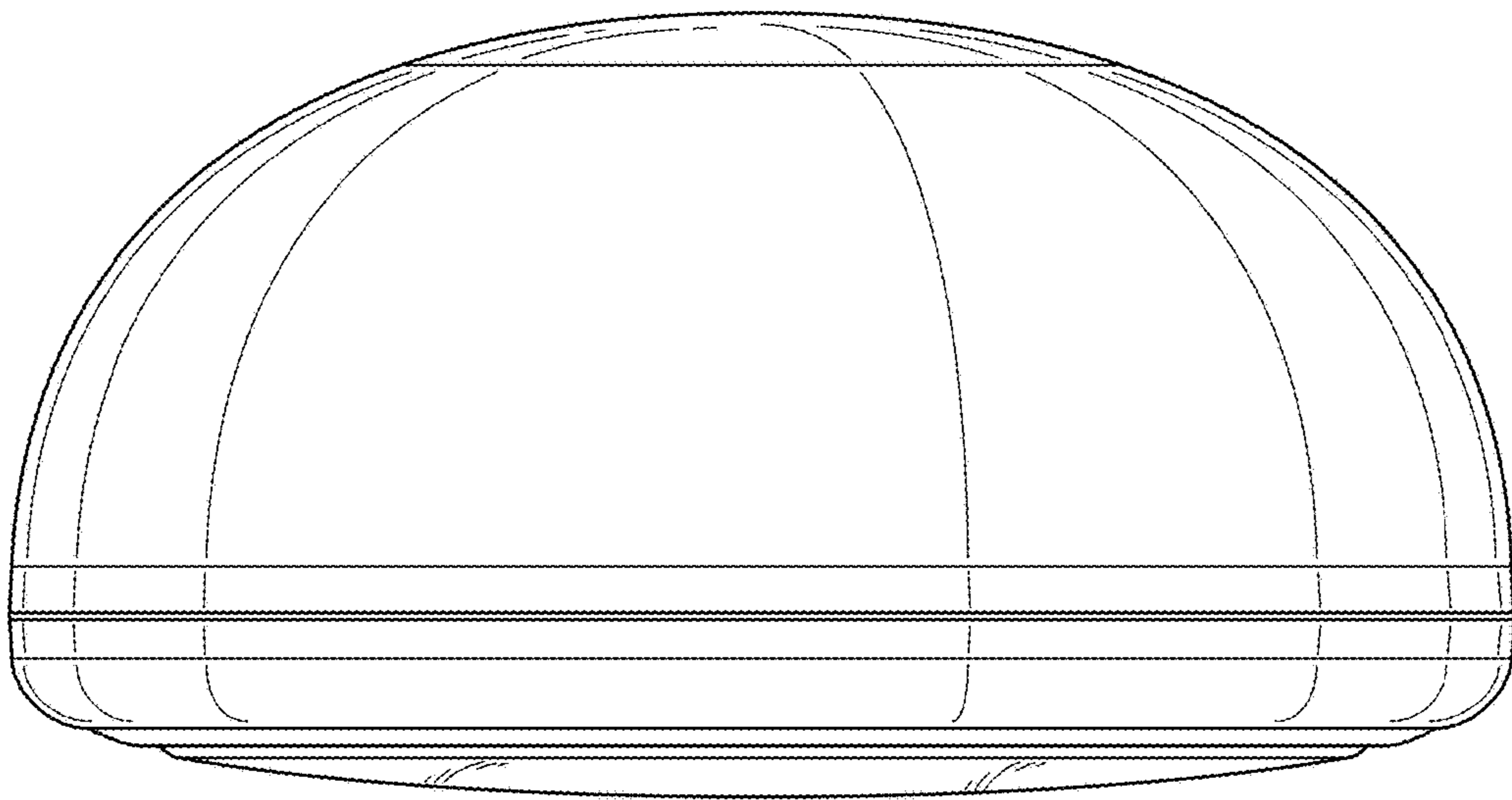


FIG. 5

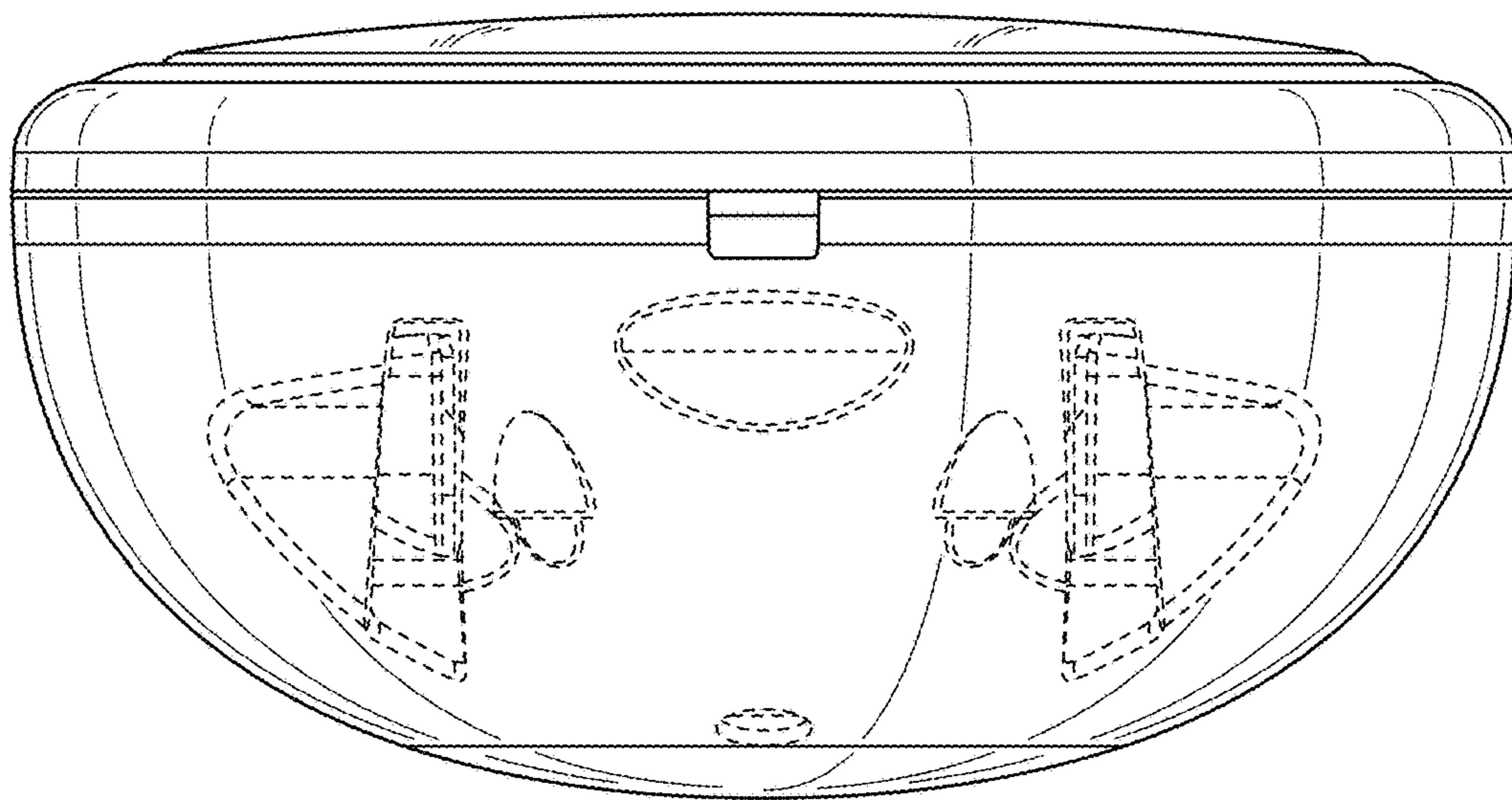


FIG. 6

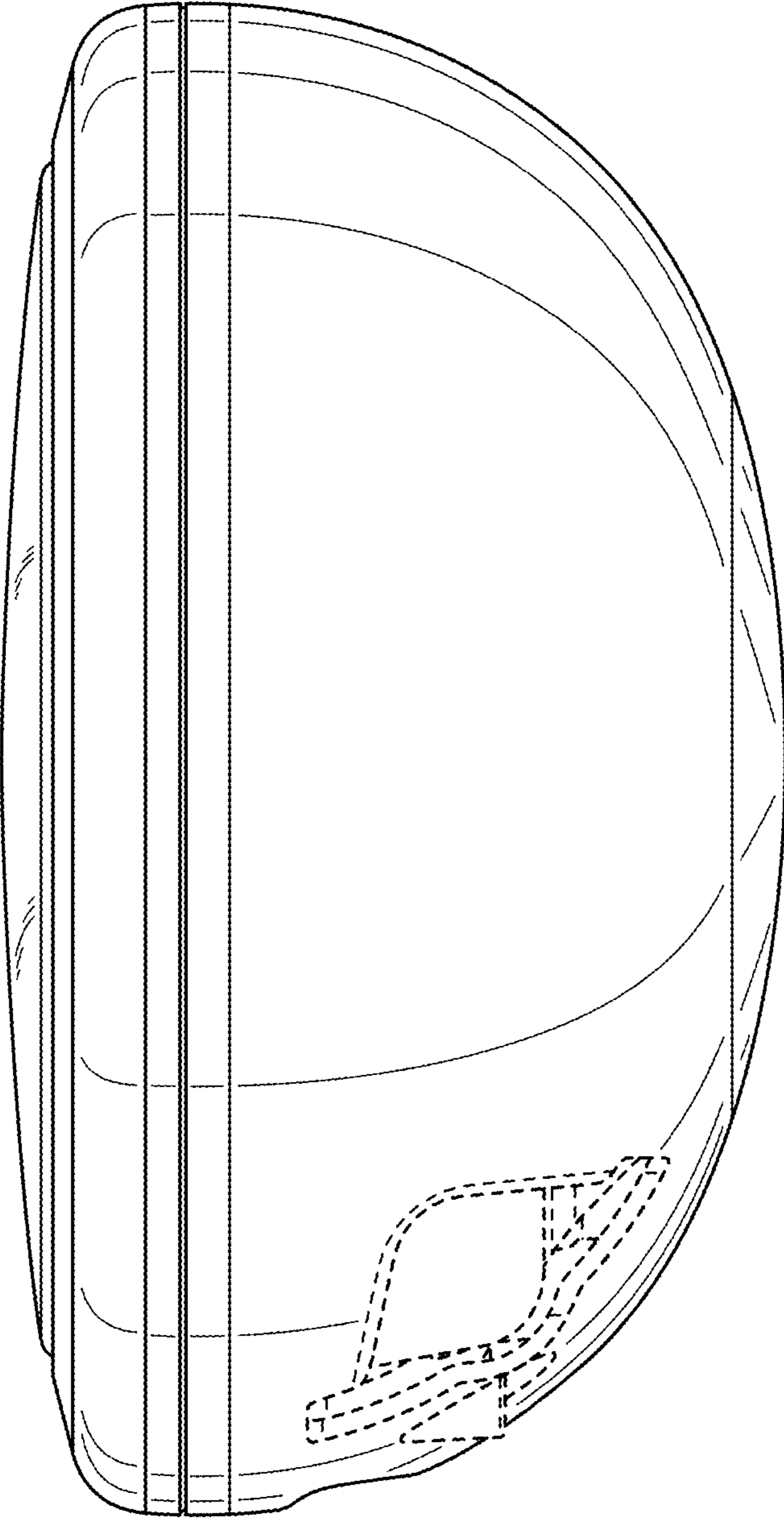


FIG. 7

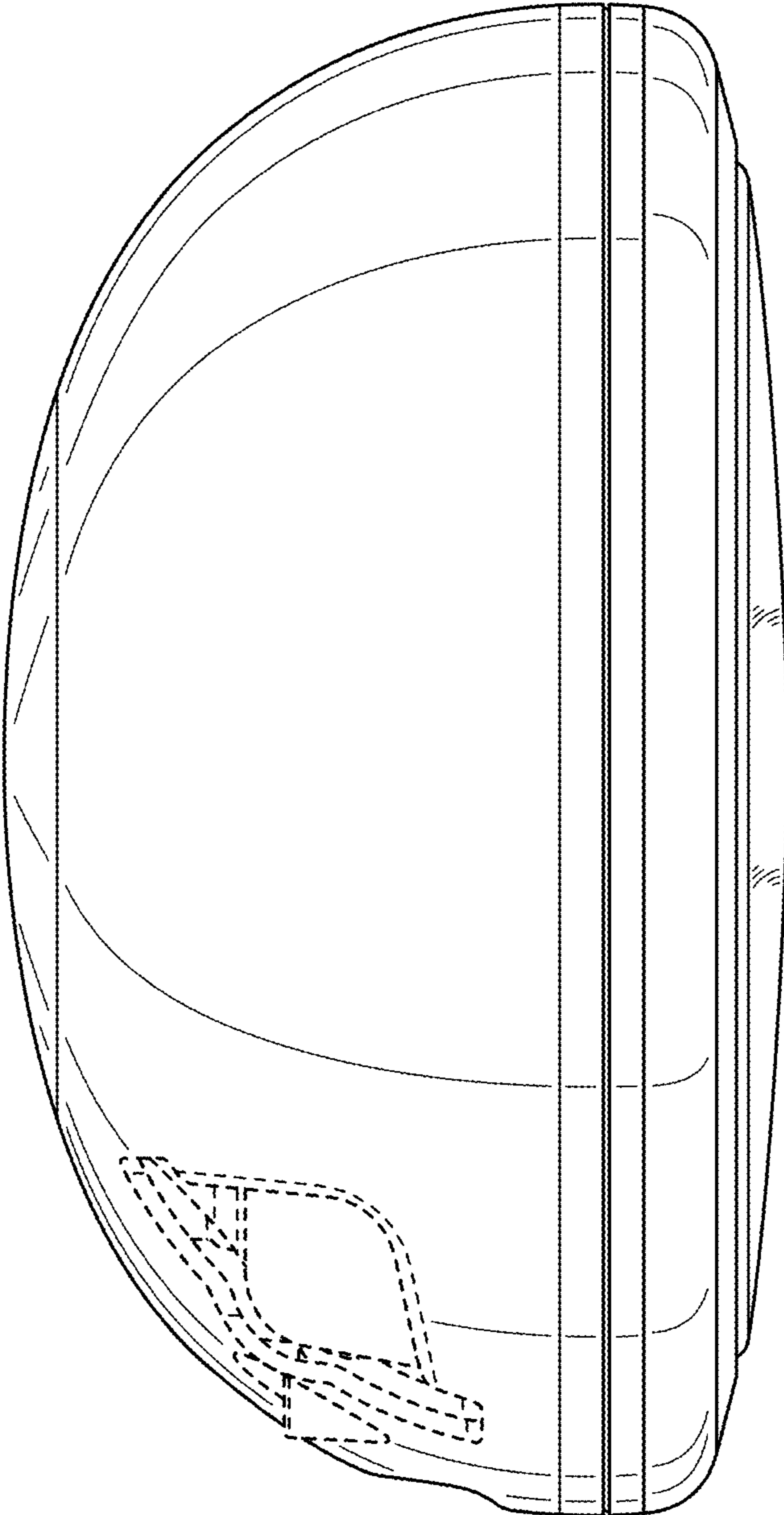


FIG. 8