



US00D810972S

(12) **United States Design Patent** (10) **Patent No.:** **US D810,972 S**
Hanson et al. (45) **Date of Patent:** **** Feb. 20, 2018**

(54) **HEADLIGHT**

(71) Applicant: **Caterpillar Inc.**, Peoria, IL (US)

(72) Inventors: **Eric J. Hanson**, Valparaiso, IN (US);
Gregory Miller, Rochester, MI (US);
Joseph F. Denatale, Greensboro, NC (US)

D367,027 S 2/1996 Onopa
D492,628 S 7/2004 Bond et al.
D494,900 S 8/2004 Satou
D499,496 S * 12/2004 Papke D26/28
D518,580 S 4/2006 Tamiya et al.
D519,069 S 4/2006 Clark et al.

(Continued)

FOREIGN PATENT DOCUMENTS

(73) Assignee: **Caterpillar Inc.**, Peoria, IL (US)

DE 40405079-0001 5/2010
DE 40405079-0002 5/2010

(**) Term: **15 Years**

(Continued)

(21) Appl. No.: **29/585,085**

OTHER PUBLICATIONS

(22) Filed: **Nov. 21, 2016**

BMW—daytime running light, retrofit by JDM. Retrieved May 5, 2010 from <http://www.ijdmtoy.com/BLOG/wordpress/2009/11/>.

(Continued)

Related U.S. Application Data

(62) Division of application No. 29/539,774, filed on Sep. 17, 2015, now Pat. No. Des. 774,670, which is a division of application No. 29/478,445, filed on Jan. 6, 2014, now Pat. No. Des. 742,565, which is a division of application No. 29/439,606, filed on Dec. 13, 2012, now Pat. No. Des. 697,242, which is a division of application No. 29/381,451, filed on Dec. 20, 2010, now Pat. No. Des. 675,757.

Primary Examiner — Marcus Jackson

(51) **LOC (11) Cl.** **26-06**

(57) **CLAIM**

(52) **U.S. Cl.**

The ornamental design for a headlight, as shown and described.

USPC **D26/28**

DESCRIPTION

(58) **Field of Classification Search**

USPC D26/28–36; 362/80–83, 267–269,
362/459–468, 475–478, 485–487
CPC B60C 1/02; B60C 1/04; F21S 48/00; F21S
48/10; F21S 48/115; F21S 48/1233; F21S
48/1266; F21S 48/1388; F21S 48/2268;
F21V 21/04

FIG. 1 is a top, front, right perspective view of a headlight, showing our new design;
FIG. 2 is a right side view thereof;
FIG. 3 is a top plan view thereof;
FIG. 4 is a front elevation view thereof;
FIG. 5 is a rear elevation view thereof; and,
FIG. 6 is a bottom plan view.

See application file for complete search history.

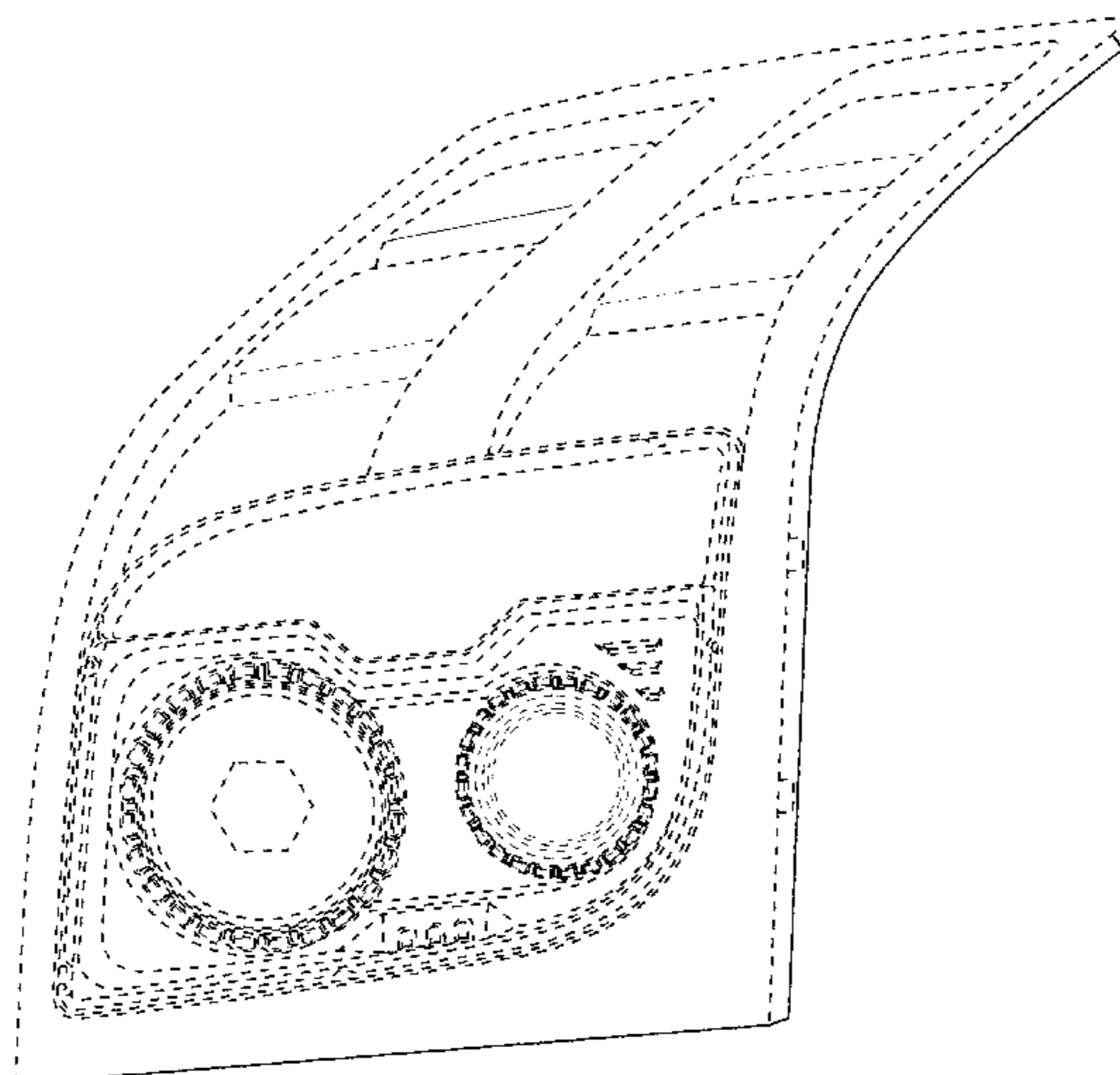
The portions in broken lines of even length depict portions of the headlight that form no part of the claimed design. The figures may not include views from all directions. When absent, those views may provide no additional aspects of the claimed ornamental design.

(56) **References Cited**

U.S. PATENT DOCUMENTS

D304,569 S 11/1989 Brunger et al.
D334,630 S 4/1993 Paffrath

1 Claim, 6 Drawing Sheets



(56)

References Cited

U.S. PATENT DOCUMENTS

D531,330 S	10/2006	Takabatake	
D536,113 S *	1/2007	Pfeiffer	D26/28
D537,180 S *	2/2007	Hsu	D26/28
D540,722 S	4/2007	Angelo et al.	
D555,815 S	11/2007	Golden et al.	
D560,573 S	1/2008	Aris et al.	
D563,576 S	3/2008	Hanaoka	
D565,758 S	4/2008	Conway et al.	
D569,020 S	5/2008	Schiavone et al.	
D571,027 S	6/2008	Suzuki et al.	
D576,765 S	9/2008	Song et al.	
D593,233 S	5/2009	Bai et al.	
D595,895 S	7/2009	Lamm	
D604,892 S	11/2009	Golden et al.	

FOREIGN PATENT DOCUMENTS

DE	40702161-0001	5/2010
DE	40702161-0002	5/2010

OTHER PUBLICATIONS

Dodge Caravan fog light—factory installed. Retrieved May 5, 2010 from http://www.dodge.com/en/2010/grand_caravan/design/styling/.

Ford F-150 fog light—aftermarket retrofit kit. Retrieved May 5, 2010 from http://www.fordf150foglights.com/Spyder/Fog-Lights/Ford-F150-Spyder-Halo-Angel-Eyes-Projector-Fog-Lights-Kit_FL_P_FF15004_HL/638069/.

Honda Accord fog light—aftermarket retrofit kit. Retrieved May 5, 2010 from <http://www.hondapartsnow.com/genuine/2003-2005-honda-accord-coupe-fog-light-kit-4183.html>.

Mazda 6 fog light—aftermarket retrofit kit. Retrieved May 5, 2010 from <http://www.mazda-6-saloon.sgpetch.co.uk/pages/accessories/detail/model=124/category=ROOTexterior/accessory=Front+Fog+Lamps/id=2299>.

Mercedes ML Class W-164 with Carlsson daytime running lights. Retrieved May 5, 2010 from <http://www.germancarscene.com/2009/09/07/carlsson-daytime-running-lights-for-the-mercedes-benz-ml-class/>.

Mitsubishi Lancer fog light—aftermarket retrofit kit. Retrieved May 5, 2010 from <http://www.mitsupartsworld.com/94-mitsubishilancer-fog-lights.html>.

Suzuki Alto fog light—factory installed. Retrieved May 5, 2010 from http://www.netcarshow.com/suzuki/2009-alto/800x600/wall-paper_04.htm.

Suzuki Swift fog light—factory installed. Retrieved May 5, 2010 from <http://www.themotorreport.com.au/48183/suzukiaustralia-announces-reduced-swift-and-alto-pricing>.

SuzukiSX4 fog light—factory installed option. Retrieved May 5, 2010 from http://www.suzuki.com.au/cars/accessories.php?model=sx4_hatch.

Toyota Camry fog light—aftermarket retrofit kit. Retrieved May 5, 2010 from http://www.connerpro.us/index.php?main_page=index&cPath=26.

Toyota Yaris sedan fog light—aftermarket retrofit kit. Retrieved May 5, 2010 from http://www.connerpro.us/index.php?main_page=index&cPath=26.

Toyota FJ Cruiser fog light—aftermarket retrofit kit. Retrieved May 5, 2010 from <http://www.4x4groupbuy.com/store/light-inserts-cruiser-bull-pi-8625.html>.

Volkswagen GTI fog light—aftermarket retrofit kit (by Helia). Retrieved May 5, 2010 from <http://myfastgti.com/volkswagen/showthread.php/euro-switchcoming-home-feature-auto-6686.html?s=f3b97798f6d3a46018c127f8246998bcb&>.

A selection of sidemarker designs. Retrieved May 5, 2010 from http://www.ep.yimg.com/ca1/twincamtech_2102_52373642.

Sidemarkers for a Volkswagen, made by Helia. Retrieved May 5, 2010 from http://www.fastvws.com/acatalog/copy_of_copy_of_copy_of_copy_of_MK3.html#a2112.

Porsche Carrera S 05 side marker. Retrieved May 5, 2010 from http://www.koperformance.com/online_ordering/show_part/183539-9976310370-100.

Porsche Boxster S side marker. Retrieved May 5, 2010 from http://www.koperformance.com/online_ordering/show_part/182761-98763103401-100.

Wesbar side marker—PN 003250. Retrieved May 5, 2010 from <http://www.wesbar.com/product/details.asp?ProdID=0032508&cat=8480>.

Porsche 1987 944S turn signal lamp. Retrieved May 5, 2010 from <http://www.koperformance.com/catalog/POR/1988/7999-944S-S2/L2/2017-Turn-Signal-Light.html>.

Mazda RX-8 aftermarket side marker. Retrieved May 5, 2010 from <http://www.rotaryfx.com/PhotoGallery.asp?ProductCode=LIG1048>.

Infiniti G35 side marker. Retrieved May 5, 2010 from <http://www.g35driver.com/forums/attachments/Interior-exterior/51908d1157232622-new-amber-side-markerssidemarker.jpg>.

Nissan Side Marker—aftermarket retrofit. Retrieved May 6, 2010 from http://www.frsport.com/Genuine-OEM-Nissan-Silvia-Side-Marker-Lights_p_1397.html.

Volvo side marker (for XC70). Retrieved May 6, 2010 from <http://www.discountvoparts.com/volvo-side-marker>.

Universal car side marker. Retrieved May 6, 2010 from <http://www.lightinthebox.com/productvote/57568-76903>.

Geo Prism turn side turn signal. Retrieved May 6, 2010 from http://www.store.justparts.com/NORDSTROMS/PartFinder/5_50_7_Geo_14_NORDSTROMS_20_1_39_New--Aftermarket_21_7_35_5,21.

Kia Optima side marker. Retrieved May 6, 2010 from <http://www.usedautopartdepot.com/Vehicle-Parts.php?m=KIA&n+Turn%20Signal%20Light>.

BMW Z3 side marker. Retrieved May 6, 2010 from <http://www.home.comcast.net/~3rdRock/BMW/Roadster/ModPx/index.html>.

* cited by examiner

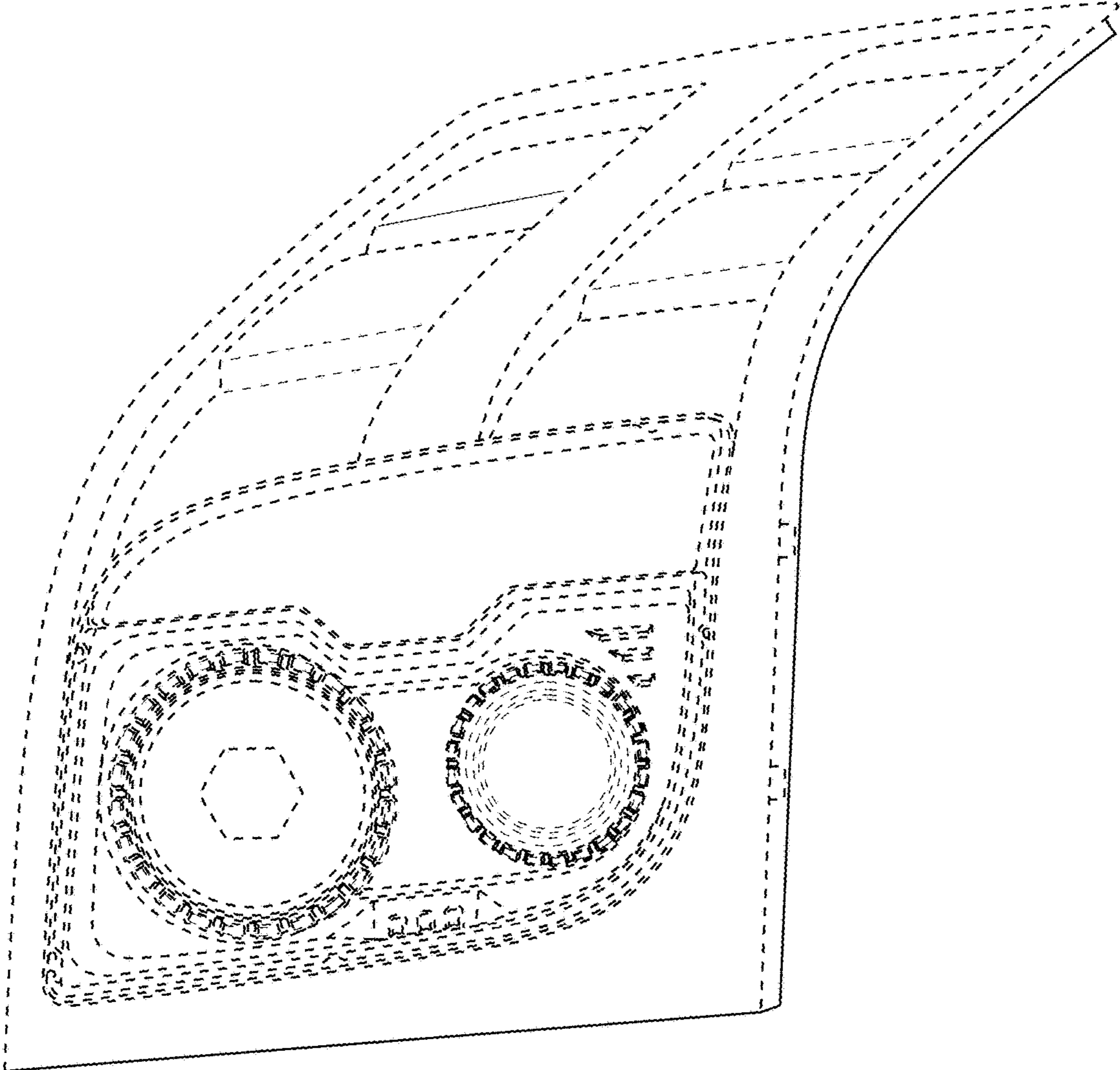


FIG. 1

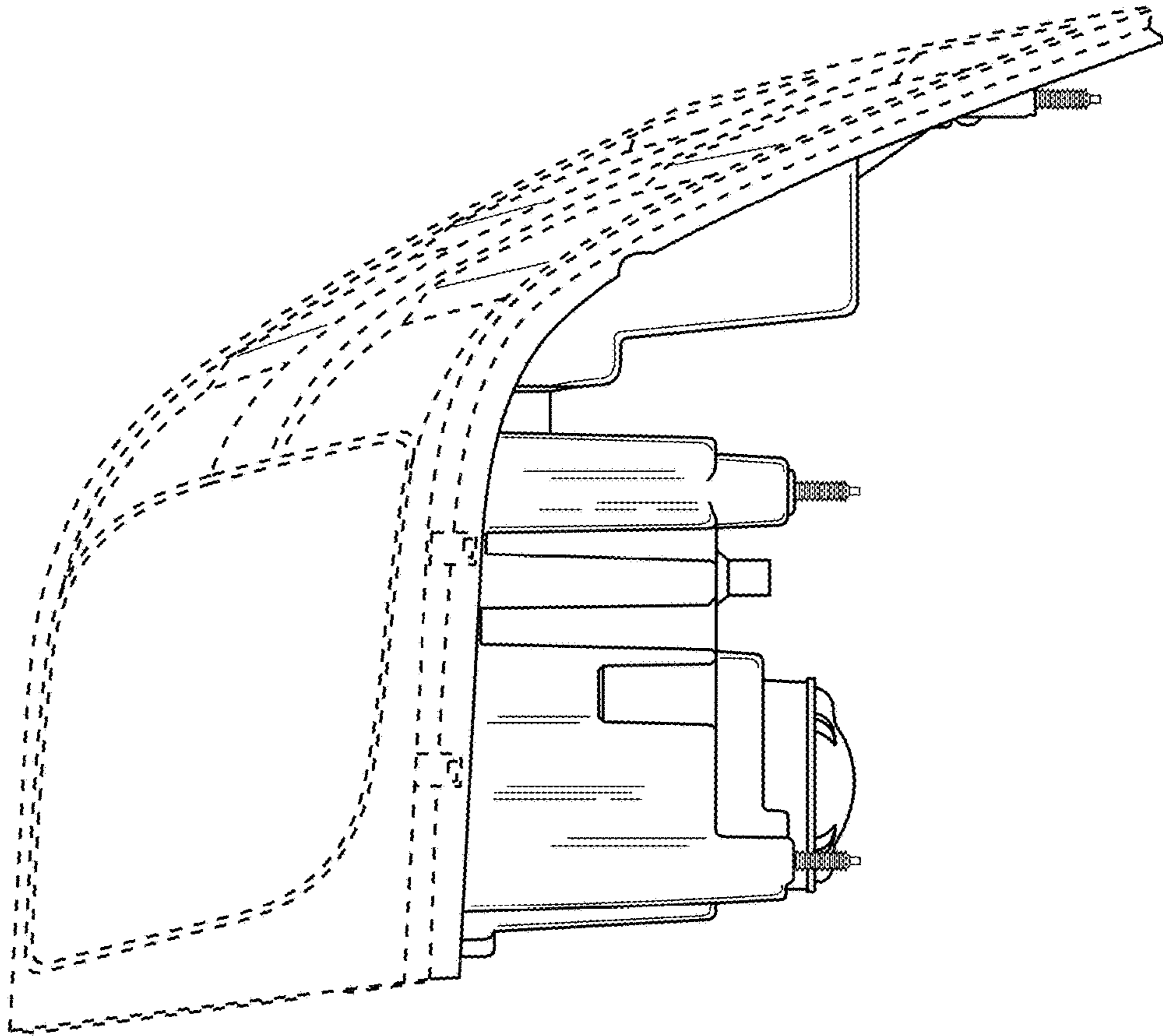


FIG. 2

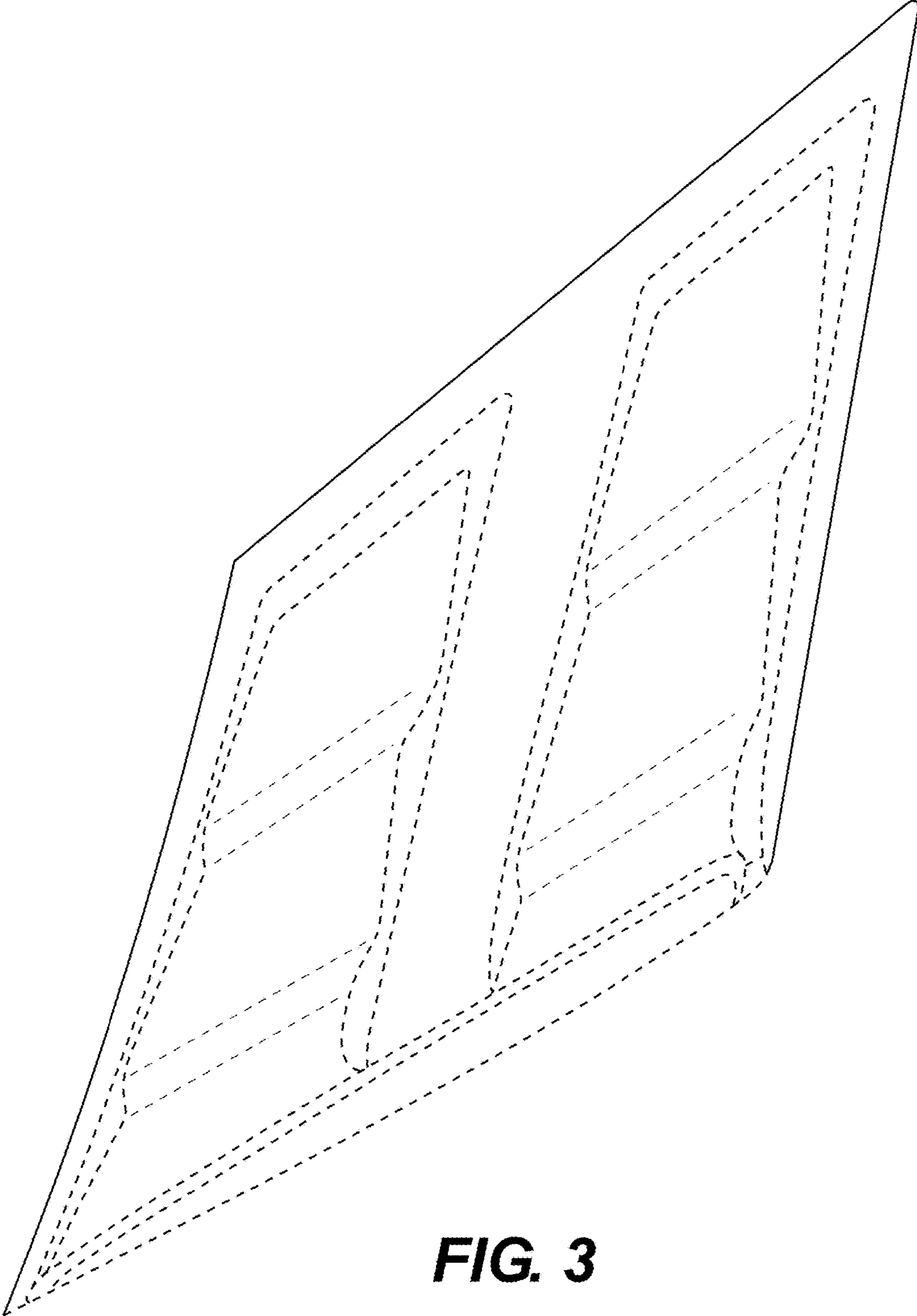


FIG. 3

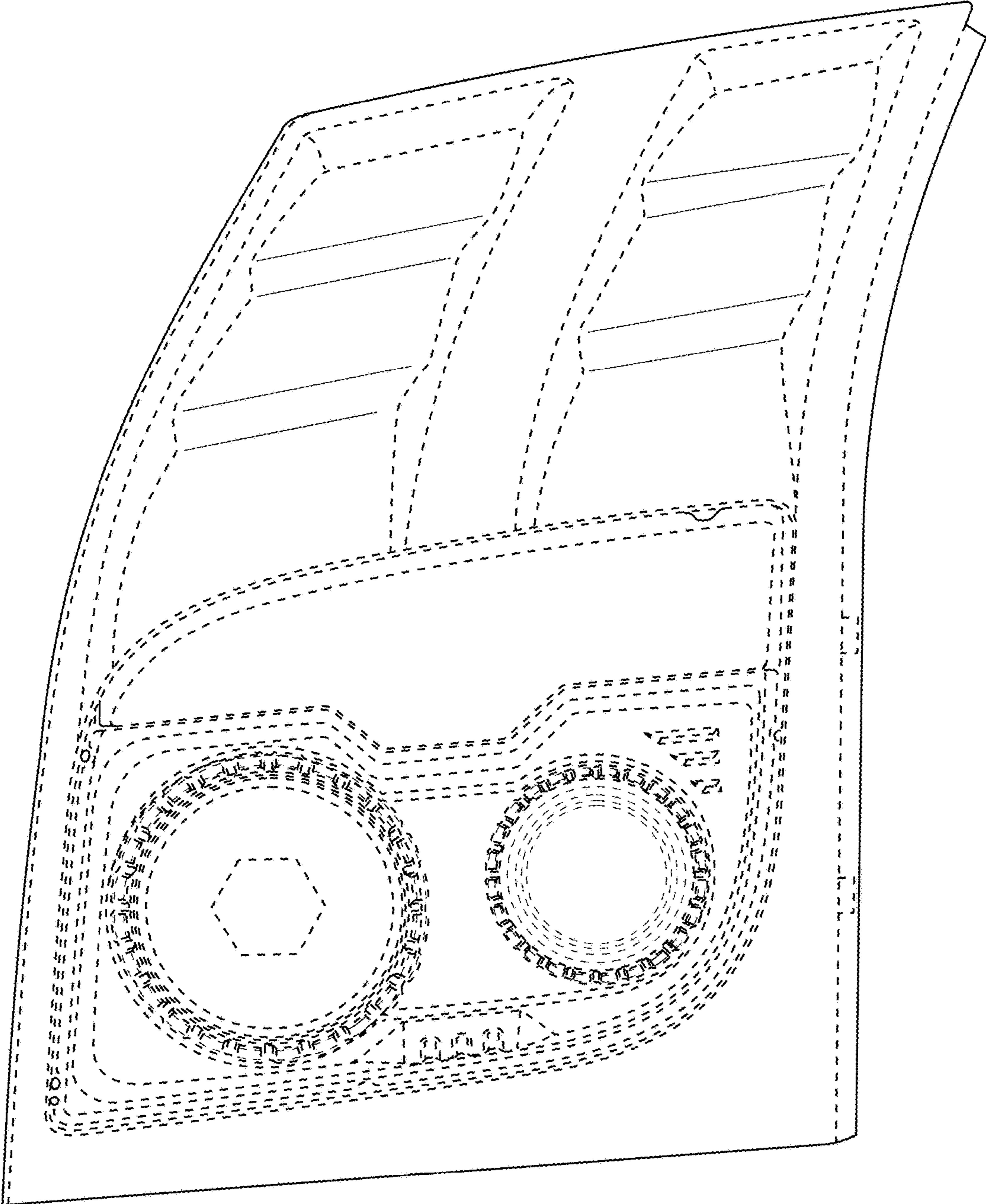


FIG. 4

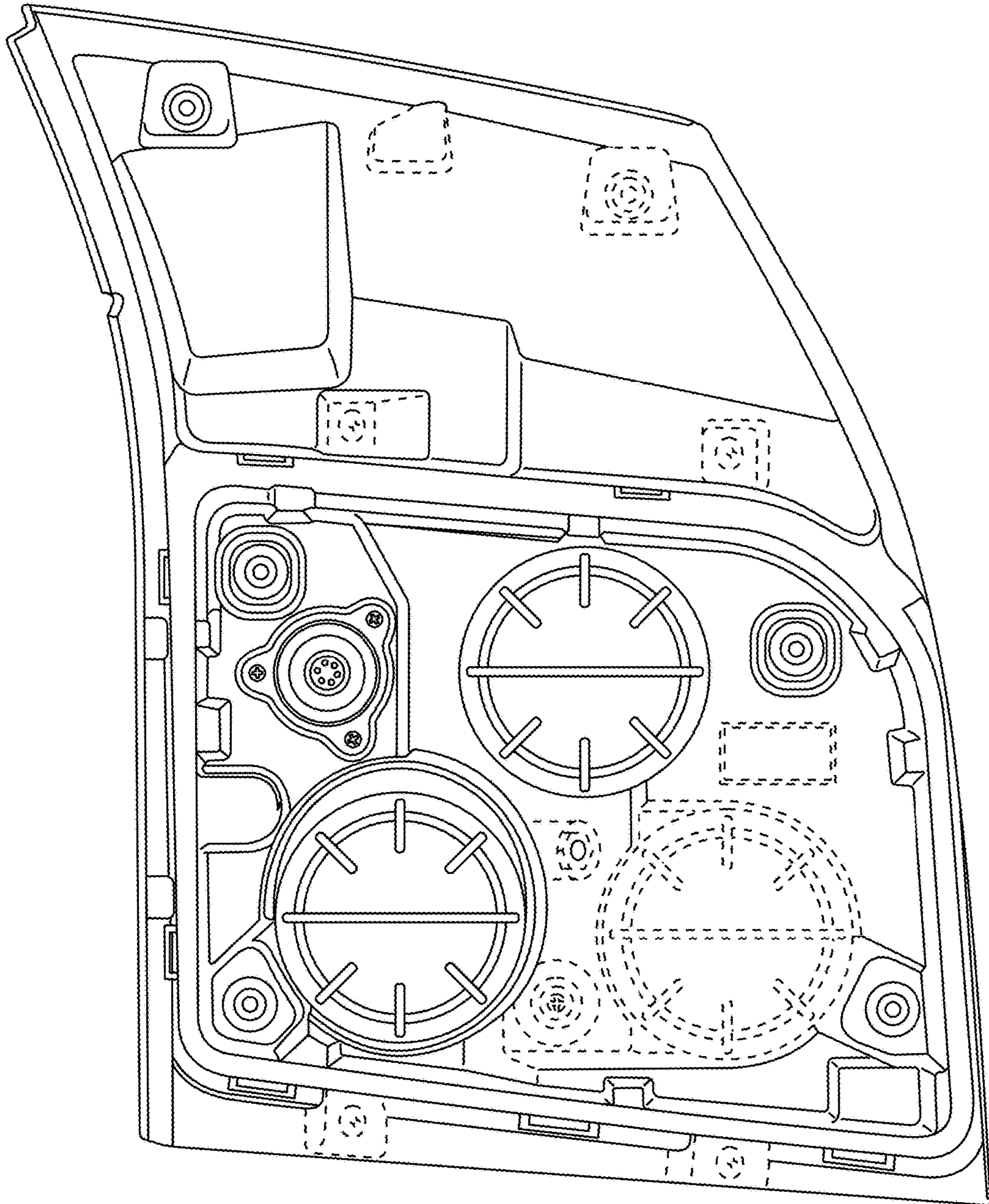


FIG. 5

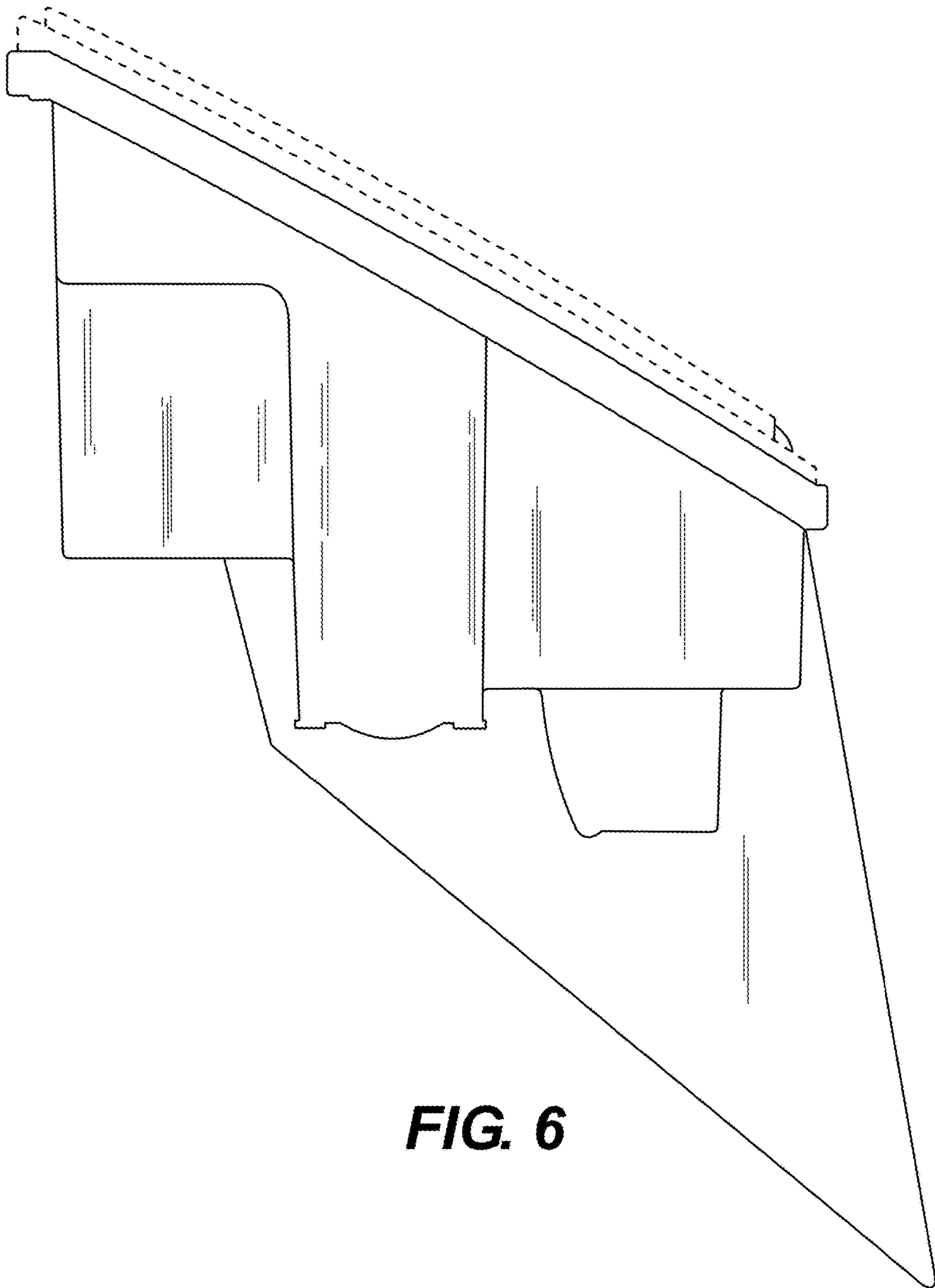


FIG. 6