



US00D810970S

(12) **United States Design Patent** (10) **Patent No.:** **US D810,970 S**
Thompson et al. (45) **Date of Patent:** **** Feb. 20, 2018**

(54) **NIGHTLIGHT**
(71) Applicant: **1842728 Ontario Inc**, Barrie (CA)
(72) Inventors: **Mitch Thompson**, Barrie (CA); **David Snaith**, Toronto (CA); **Daniel Kowalewski**, Woodbridge (CA); **Steve A. Copeland**, Barrie (CA)
(73) Assignee: **1842728 Ontario Inc**, Barrie, Ontario (CA)
(**) Term: **15 Years**
(21) Appl. No.: **29/600,378**
(22) Filed: **Apr. 12, 2017**
(51) **LOC (11) Cl.** **06-05**
(52) **U.S. Cl.**
USPC **D26/26**
(58) **Field of Classification Search**
USPC D26/26, 24, 113, 118, 119, 120;
D23/366, 367, 369; 362/640, 641, 642,
362/643, 644, 650, 651, 652, 653, 659
CPC F21S 8/035; F21V 23/06; F21V 23/0442;
F21W 2121/00; H01R 2103/00
See application file for complete search history.

(56) **References Cited**
U.S. PATENT DOCUMENTS
D352,564 S 11/1994 Marischen
D375,808 S 11/1996 Fang
D376,436 S 12/1996 Emmerling
D377,535 S 1/1997 Shulman
5,662,408 A 9/1997 Marischen
D392,756 S 3/1998 Hanig et al.
D393,733 S * 4/1998 Gaskins D26/67
D403,442 S 12/1998 Joss
D426,657 S 6/2000 Joss
D435,124 S 12/2000 Yuen

6,894,343 B2 5/2005 Harari et al.
D533,956 S 12/2006 Vladika
D544,618 S * 6/2007 Coushaine D26/37
D556,938 S * 12/2007 Russello D26/89
7,303,327 B2 12/2007 Copeland et al.
D562,492 S * 2/2008 Chen D26/85
D574,095 S * 7/2008 Hill D26/26
D606,185 S 12/2009 Wefler et al.
D628,722 S * 12/2010 Yamamoto D26/2
D634,055 S 3/2011 Hokazono et al.
D647,227 S * 10/2011 Kaule D26/24
D736,449 S * 8/2015 Getty D26/110
D741,539 S * 10/2015 Gettings D10/60
D771,860 S * 11/2016 Weiss D26/110
D777,367 S * 1/2017 Ma D26/104
D779,977 S * 2/2017 Jacob D10/50
9,633,557 B2 4/2017 Dimberg et al.
D794,765 S 8/2017 Brandenburg et al.
9,759,421 B1 9/2017 Baschnagel
2007/0253192 A1 * 11/2007 Monteiro F21V 15/00
362/147

(Continued)

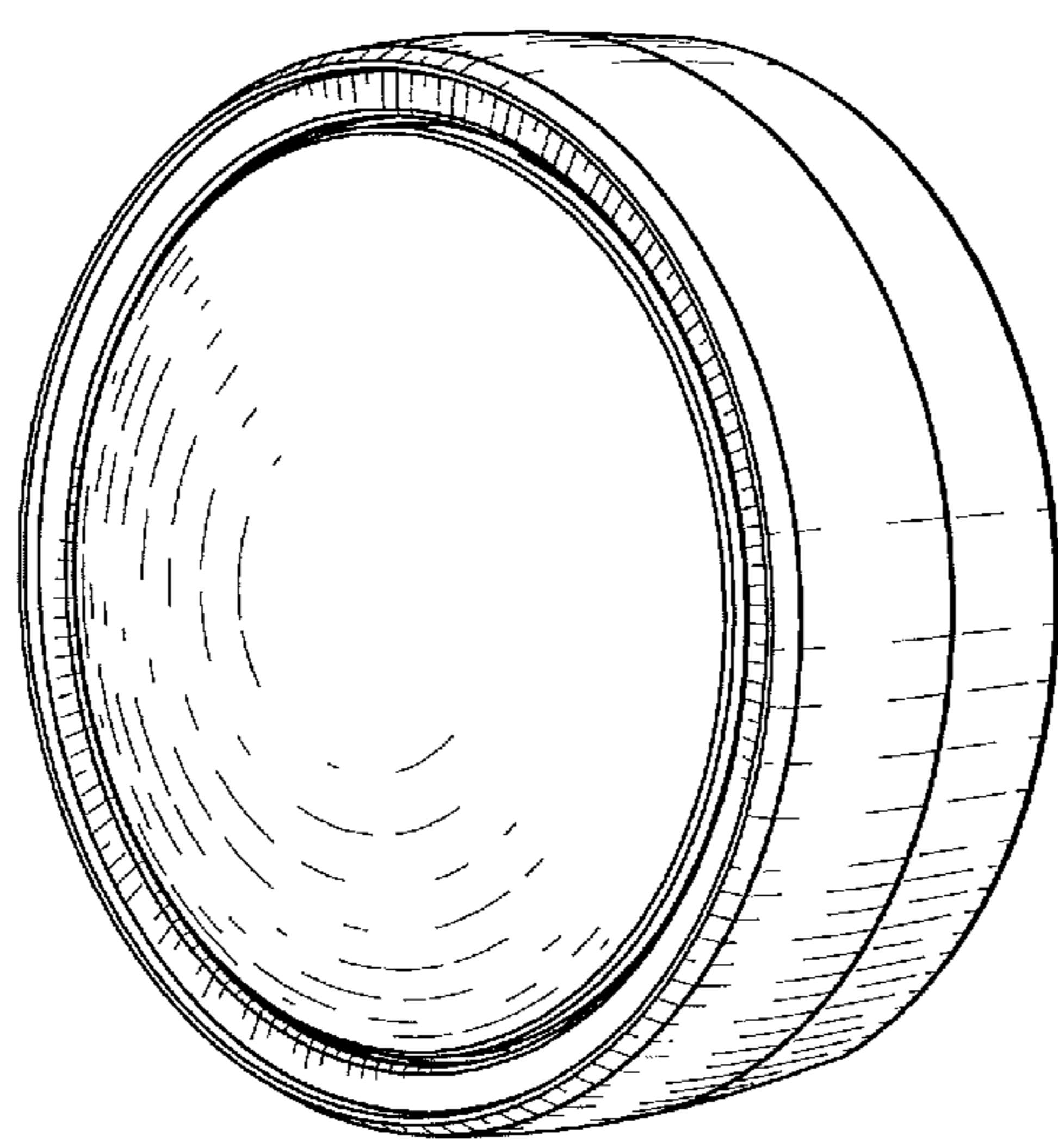
Primary Examiner — Angela J Lee
(74) Attorney, Agent, or Firm — Sand & Sebolt

(57) **CLAIM**
The ornamental design for a nightlight, as shown and described.

DESCRIPTION

FIG. 1 is front right isometric perspective view of a new ornamental design for a nightlight;
FIG. 2 is a front elevation view of the nightlight of FIG. 1;
FIG. 3 is a rear elevation view of the nightlight of FIG. 1; and,
FIG. 4 is a right side elevation view of the nightlight of FIG. 1, the left side elevation view being a mirror image thereof.
The broken lines shown represent unclaimed subject matter and form no part of the claimed design.

1 Claim, 4 Drawing Sheets



(56)

References Cited

U.S. PATENT DOCUMENTS

2012/0009807 A1 1/2012 Kuo
2014/0316581 A1 10/2014 Fadell et al.
2015/0371534 A1 12/2015 Dimberg et al.
2016/0173746 A1 6/2016 Chien
2016/0181726 A1 6/2016 Zhang
2017/0193814 A1 7/2017 Dimberg et al.

* cited by examiner

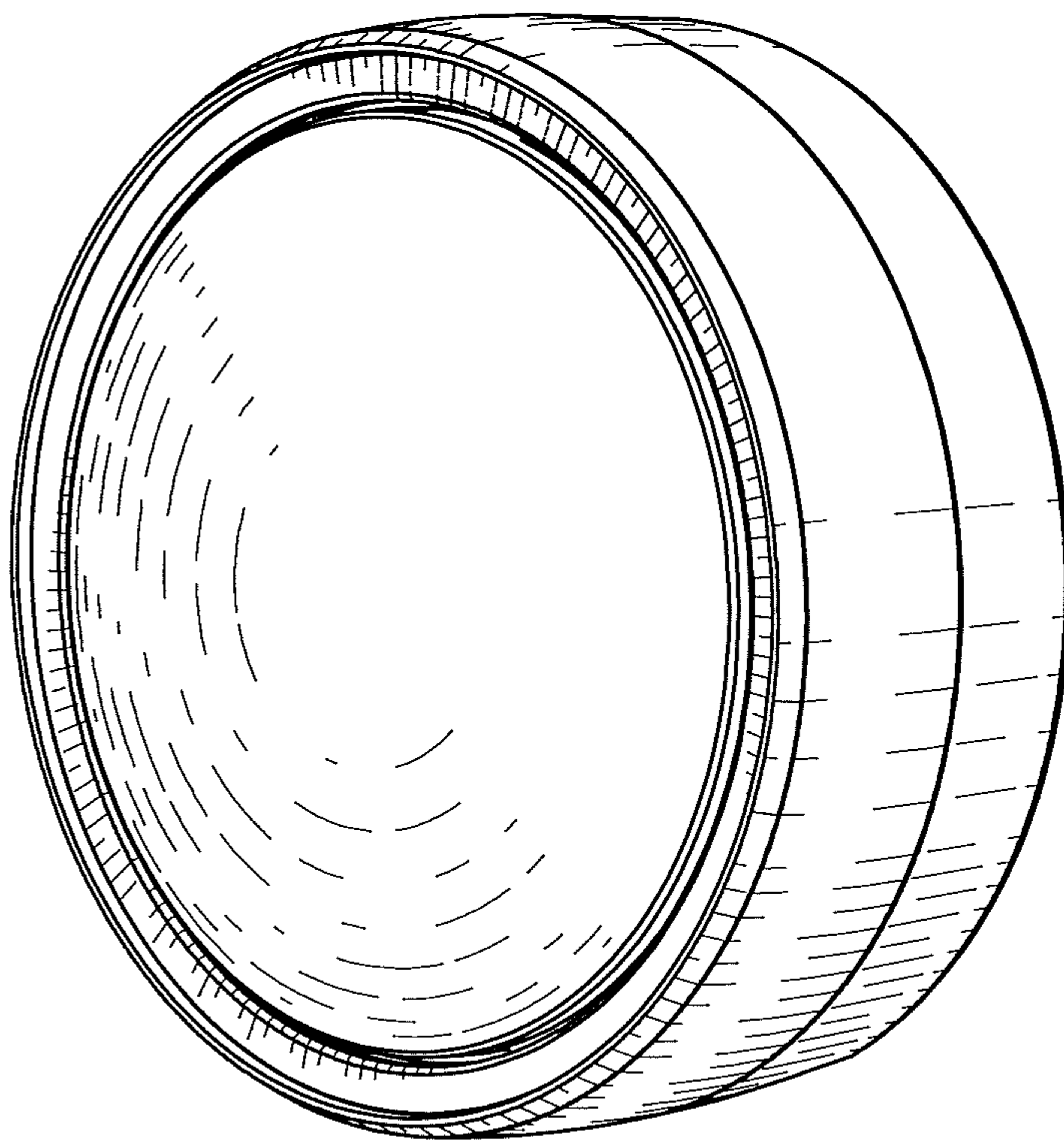


FIG. 1

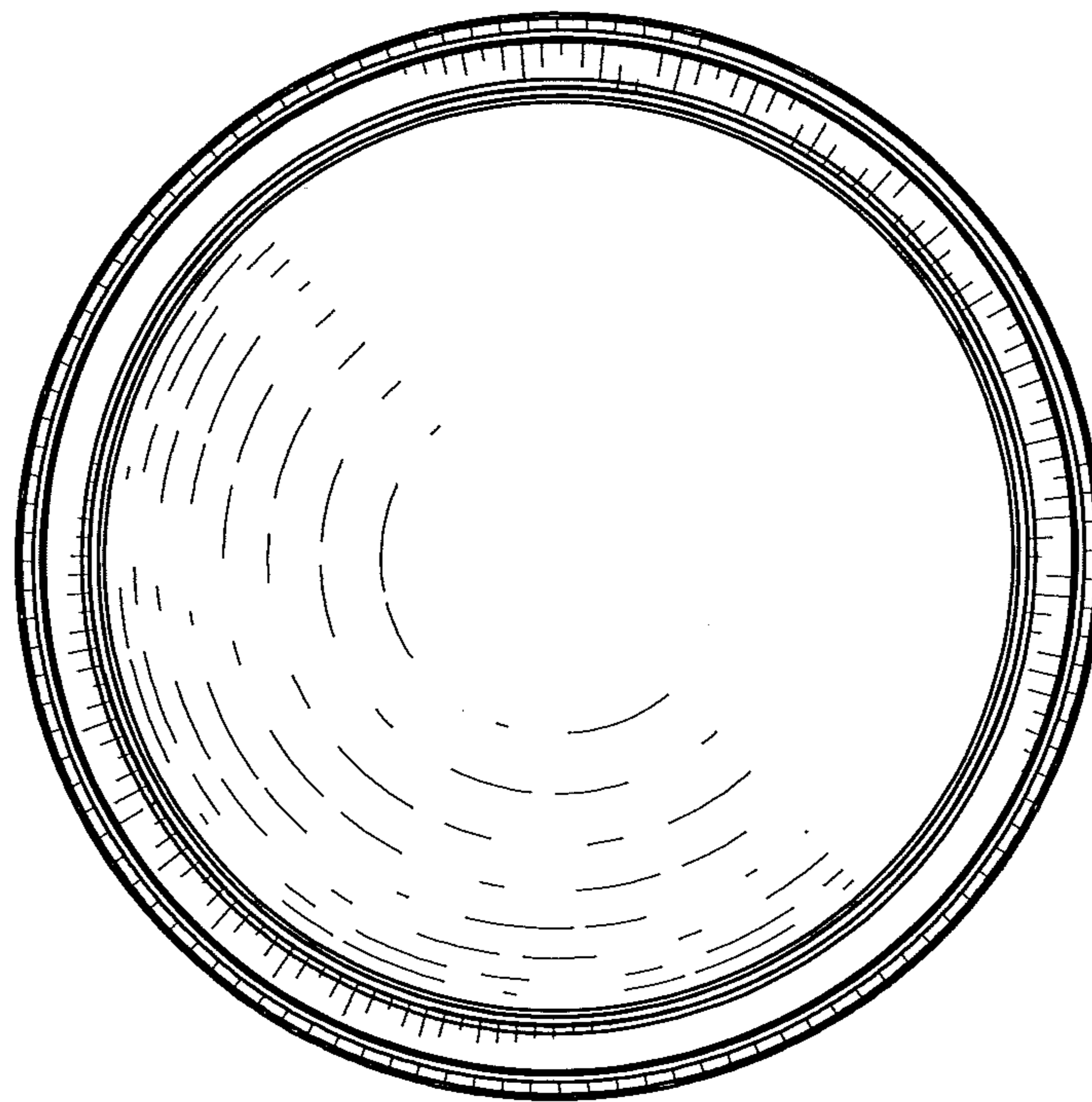


FIG. 2

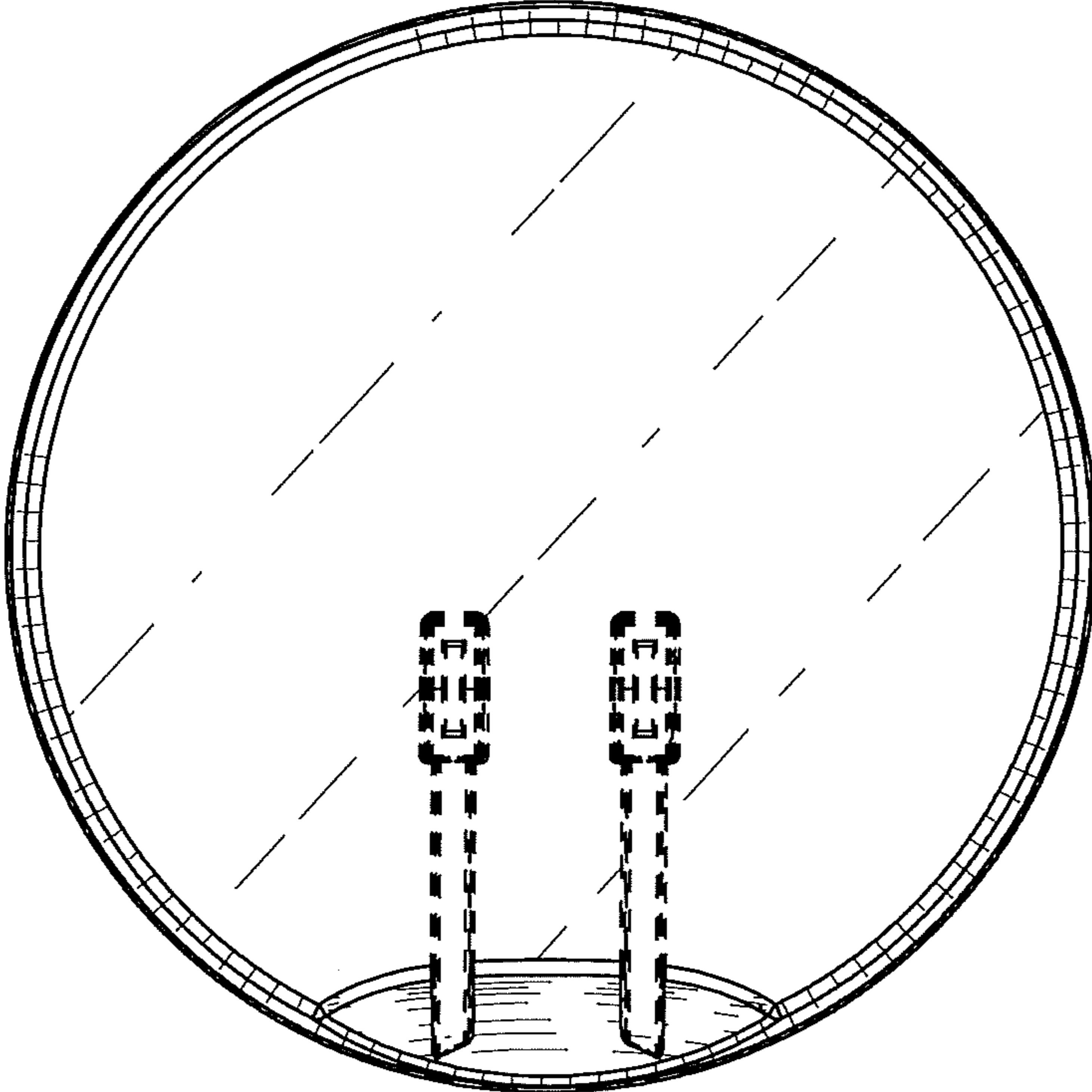


FIG. 3

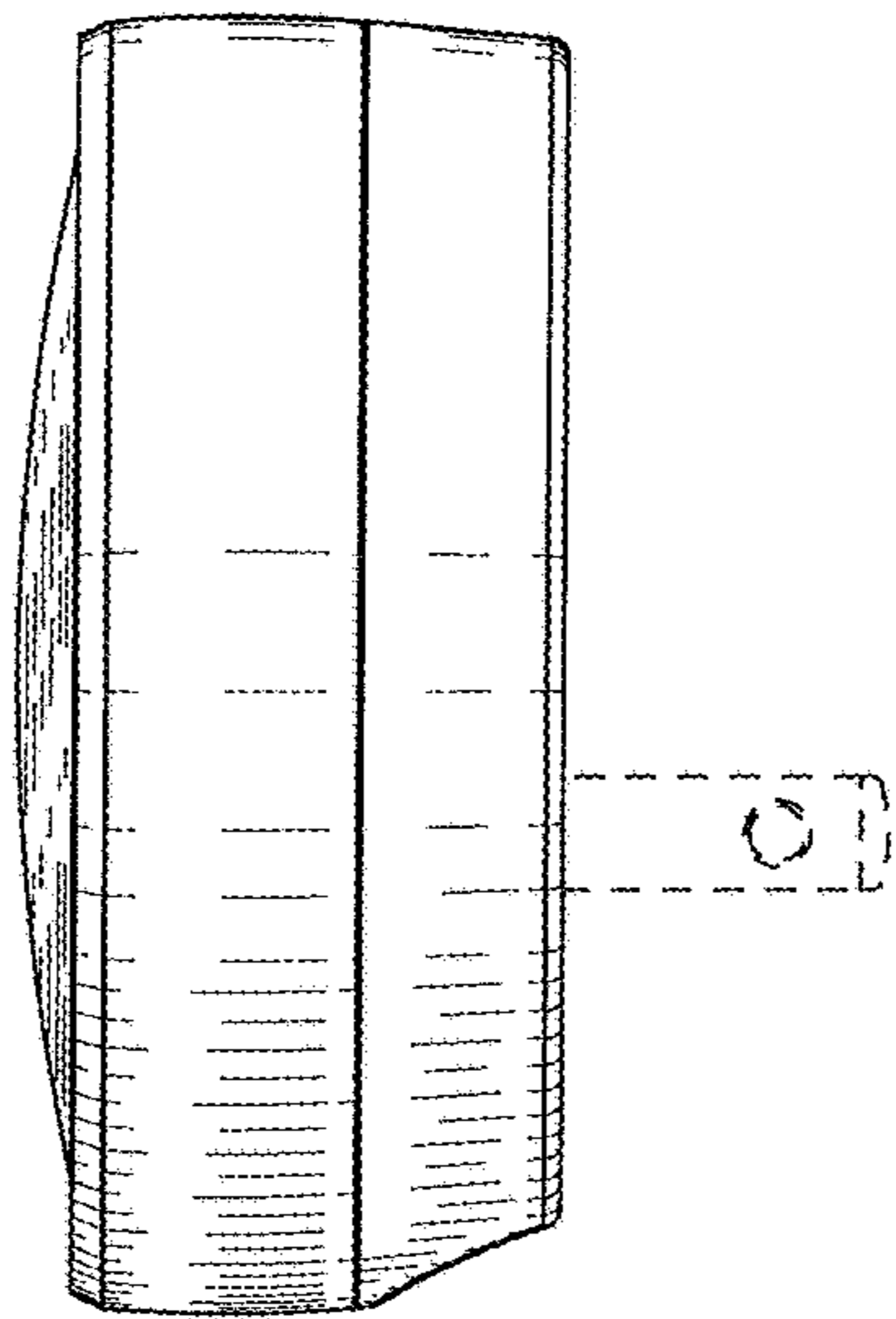


FIG. 4