

US00D810969S

(12) **United States Design Patent** (10) **Patent No.:** **US D810,969 S**
Chien et al. (45) **Date of Patent:** **** Feb. 20, 2018**

(54) **MOTION SENSOR NIGHT LIGHT**

(71) Applicant: **Tseng-Lu Chien**, Walnut, CA (US)

(72) Inventors: **Tseng-Lu Chien**, Walnut, CA (US);
Che-Chin Hsu, Rancho Cucamonga, CA (US)

(73) Assignee: **Tseng-Lu Chien**, Walnut, CA (US)

(**) Term: **15 Years**

(21) Appl. No.: **29/572,537**

(22) Filed: **Jul. 28, 2016**

(51) **LOC (11) Cl.** **26-05**

(52) **U.S. Cl.**
USPC **D26/26**

(58) **Field of Classification Search**
USPC D26/26, 24, 113, 118, 119, 120, 5, 6, 7;
D23/366, 367, 369; 362/640, 641, 642,
362/643, 644, 650, 651, 652, 653, 659
CPC F21S 8/035; F21V 23/06; F21V 23/0442;
F21W 2121/00; H01R 2103/00
See application file for complete search history.

(56) **References Cited**

U.S. PATENT DOCUMENTS

D332,488 S *	1/1993	Martin	D23/367
D359,346 S *	6/1995	Martin	D23/366
D411,001 S *	6/1999	Pinchuk	D23/364
D428,167 S *	7/2000	Veach	D26/26
D433,521 S *	11/2000	Jaworski	D26/26

D441,468 S *	5/2001	Bing	D26/26
D468,033 S *	12/2002	Warren	D23/366
D528,184 S *	9/2006	Yuen	D22/120
7,840,123 B2 *	11/2010	Belongia	A01M 1/2072 362/643
D639,466 S *	6/2011	Feuerstein	D22/120
D641,897 S *	7/2011	Weiser	D22/120
D644,769 S *	9/2011	Ng	D26/26
D759,271 S *	6/2016	Walker	D26/26

* cited by examiner

Primary Examiner — Angela J Lee

(74) *Attorney, Agent, or Firm* — Bacon & Thomas, PLLC

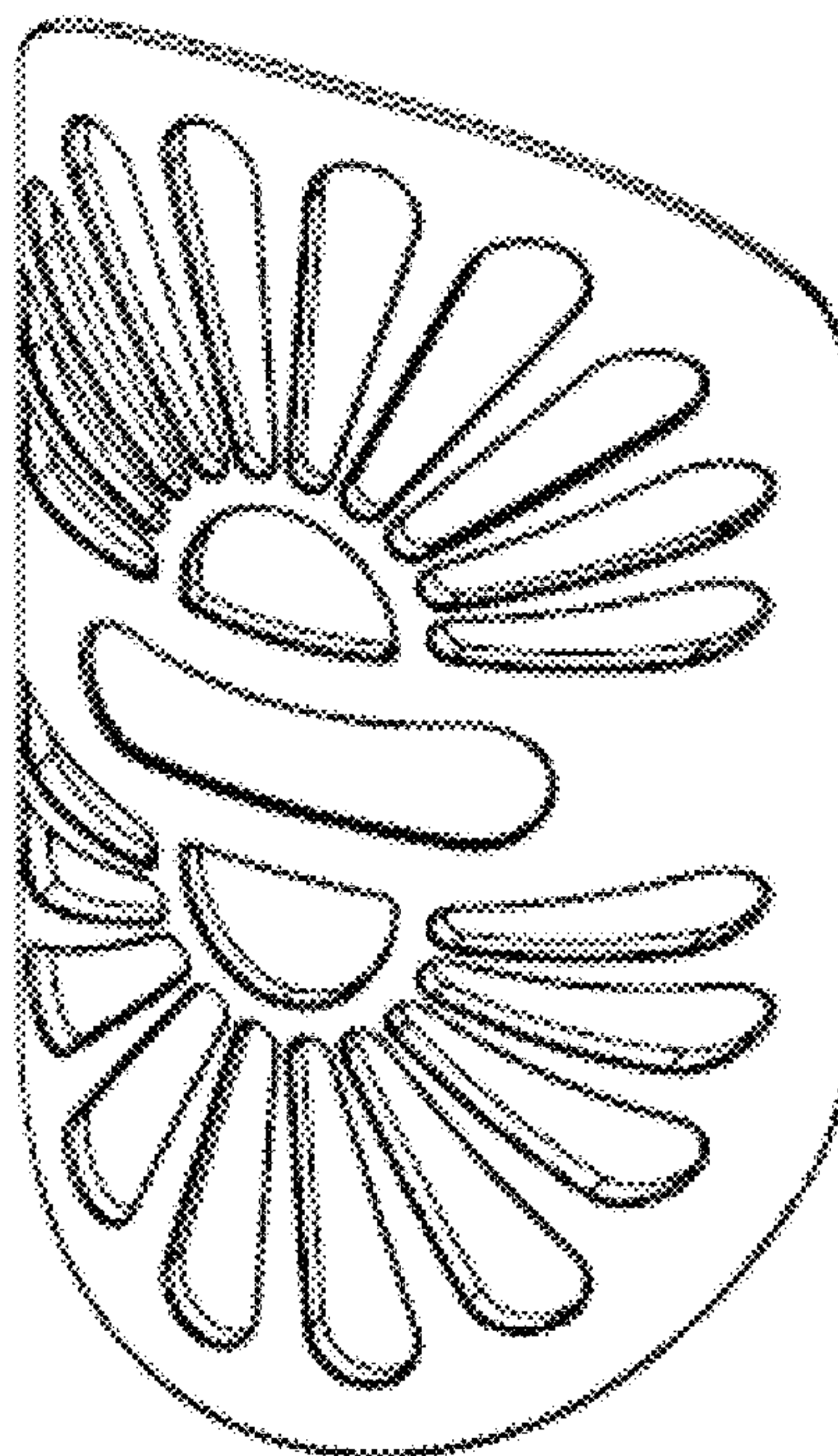
(57) **CLAIM**

The ornamental design for a motion sensor night light, as shown and described.

DESCRIPTION

FIG. 1 is a left side elevation view of a motion sensor night light showing our new design;
FIG. 2 is a right side elevation view thereof;
FIG. 3 is a front elevation view thereof;
FIG. 4 is a front perspective view thereof, taken slightly from below and to the right;
FIG. 5 is a front perspective view thereof, taken slightly from above and to the right;
FIG. 6 is a rear elevation view thereof;
FIG. 7 is a top plan view thereof;
FIG. 8 is a bottom plan view thereof; and,
FIG. 9 is a rear perspective view thereof, taken slightly from below and to the right.

1 Claim, 2 Drawing Sheets



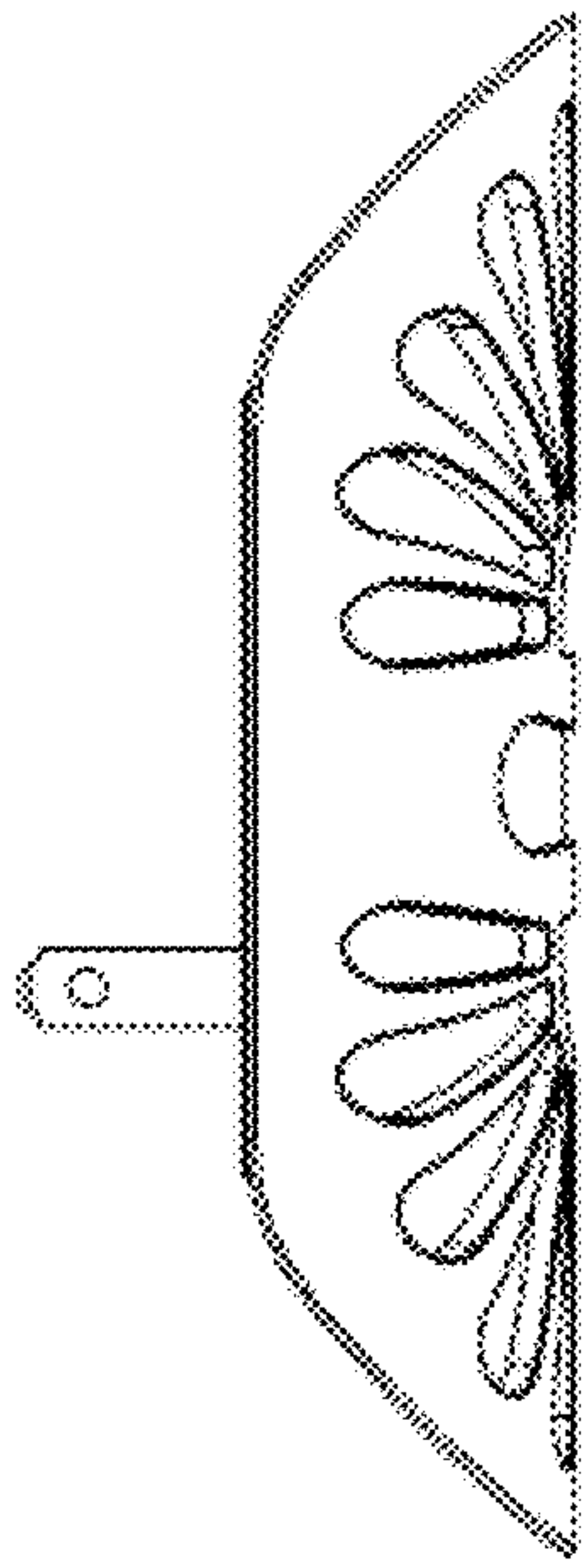


Fig. 1

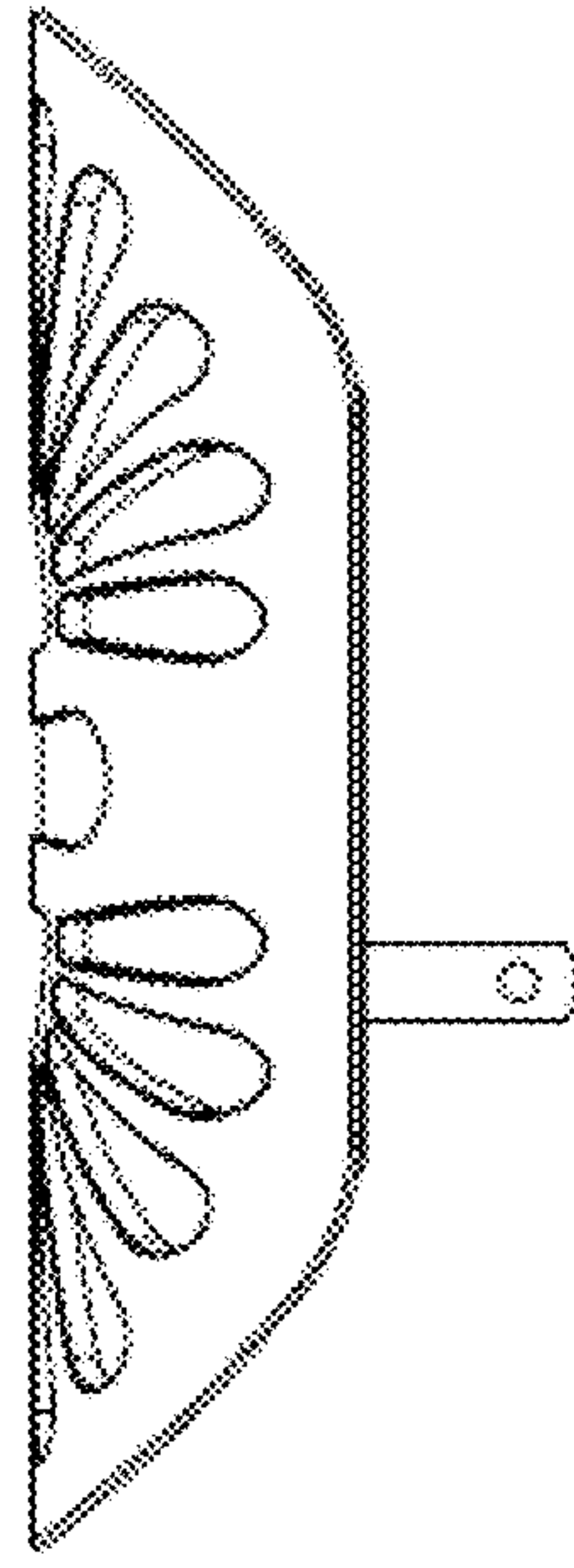


Fig. 2

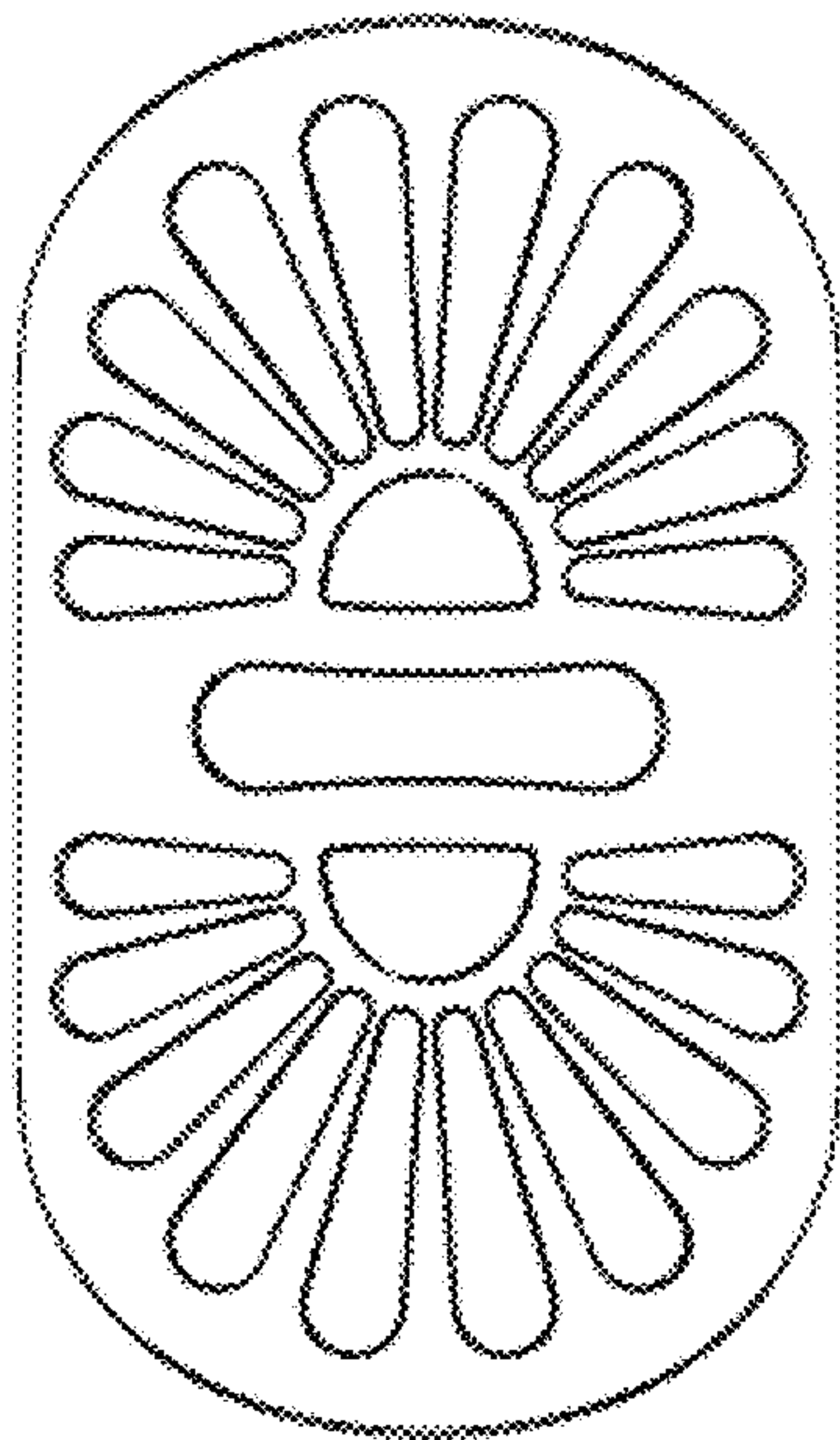


Fig. 3

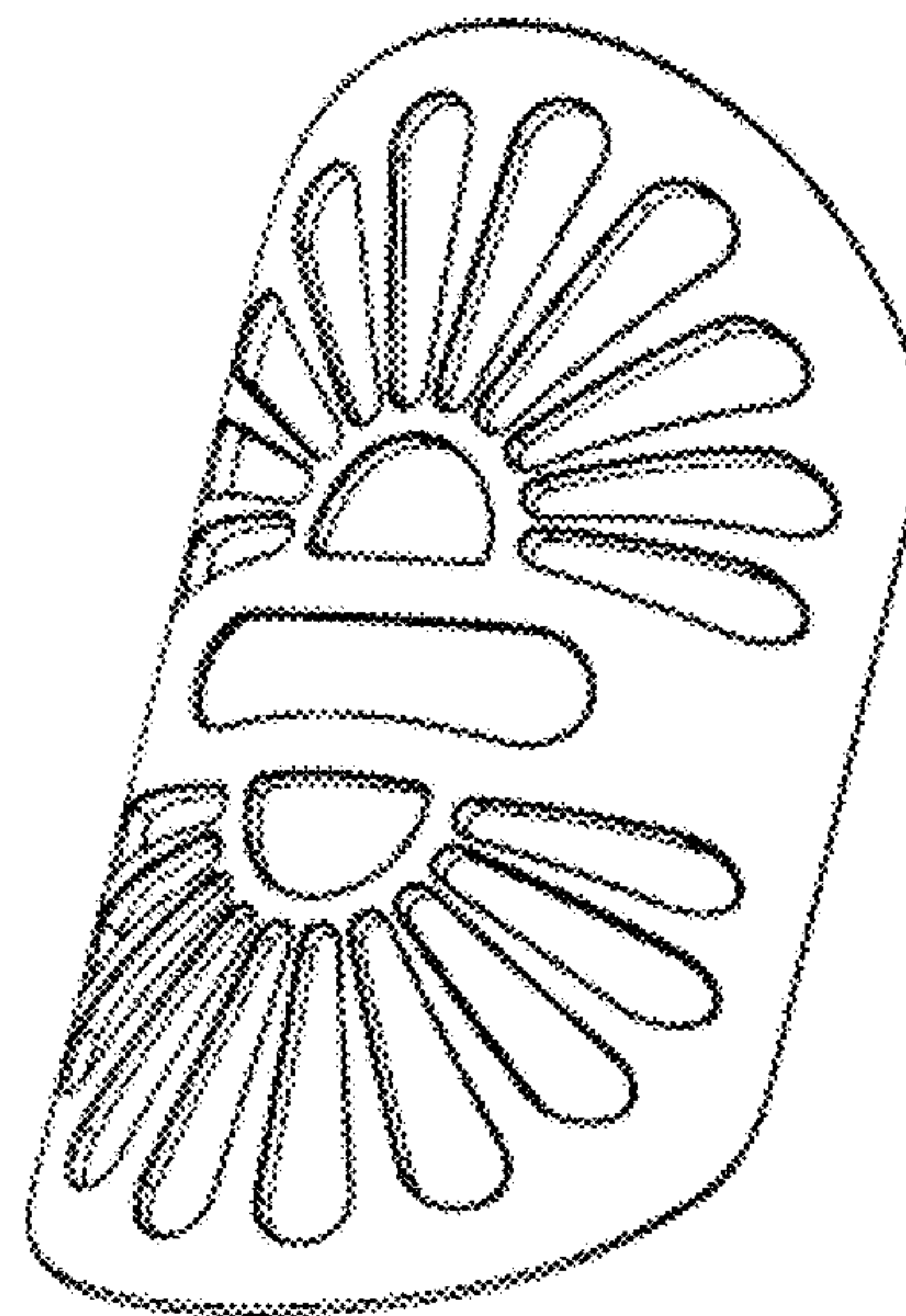


Fig. 4

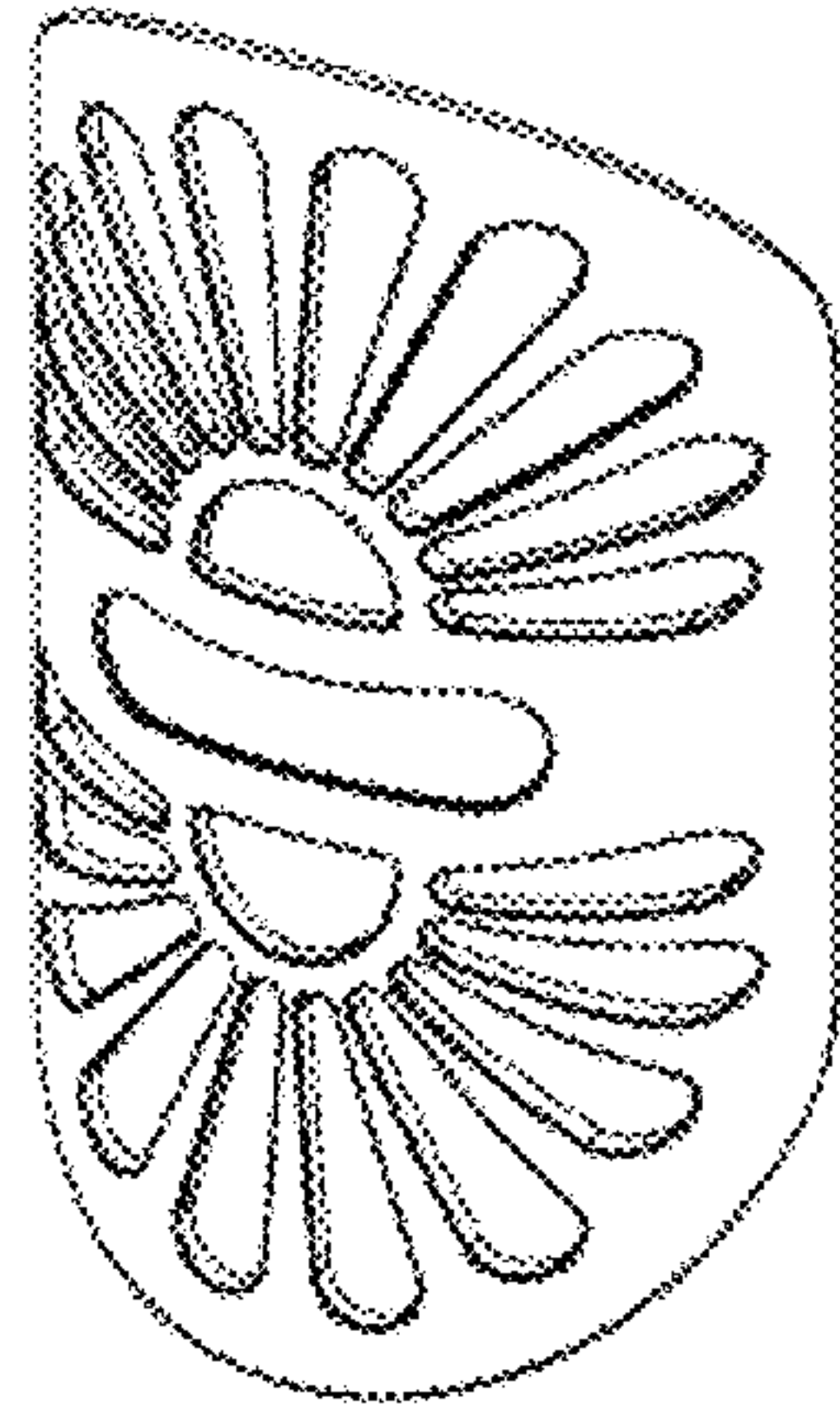


Fig. 5

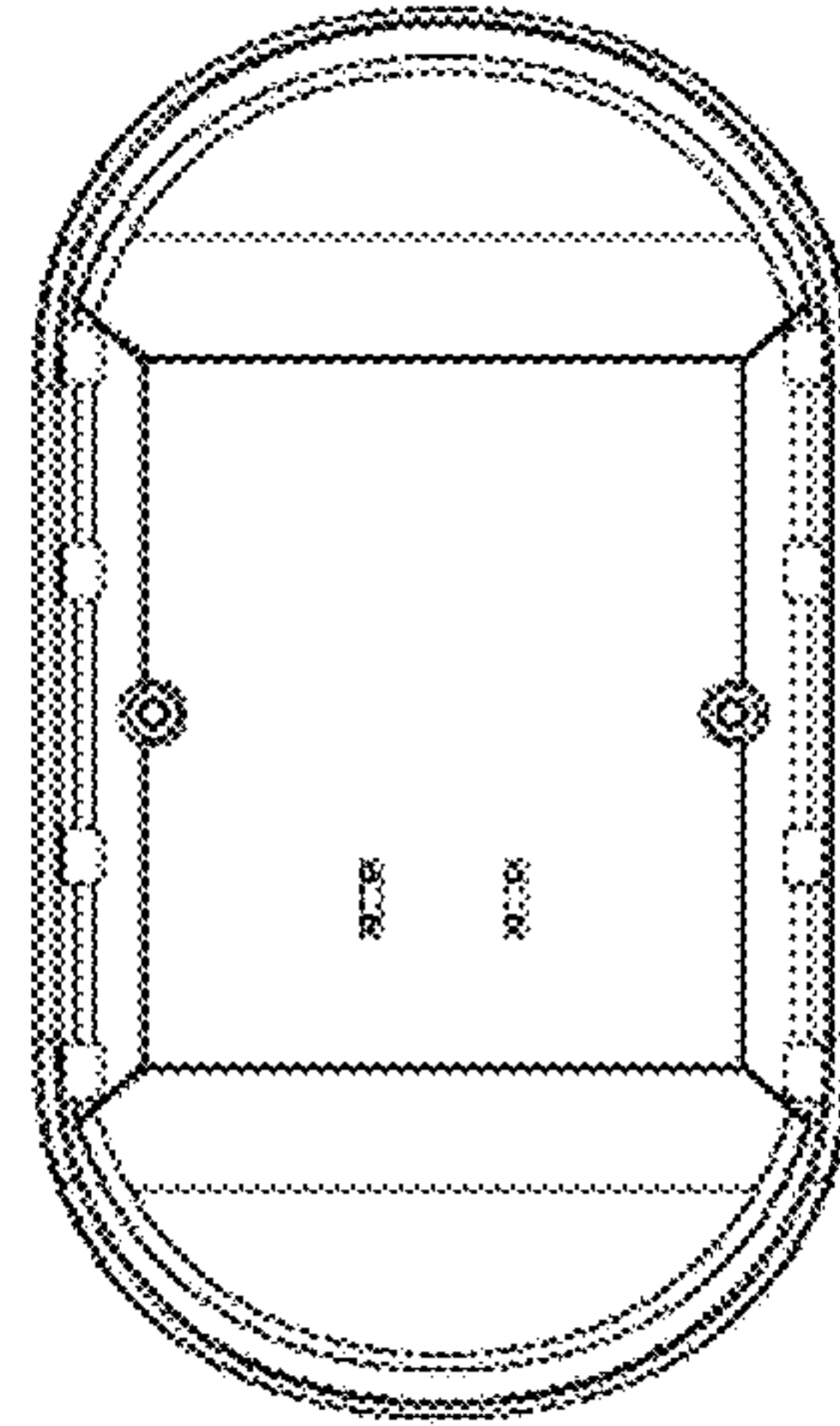


Fig. 6

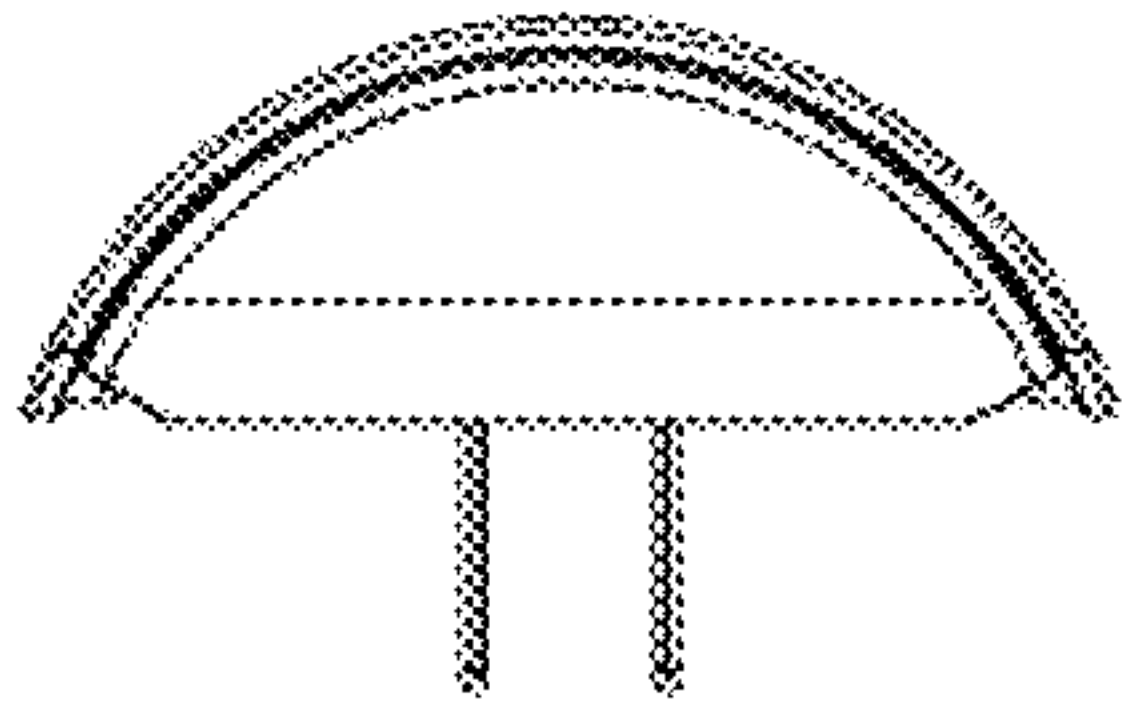


Fig. 7

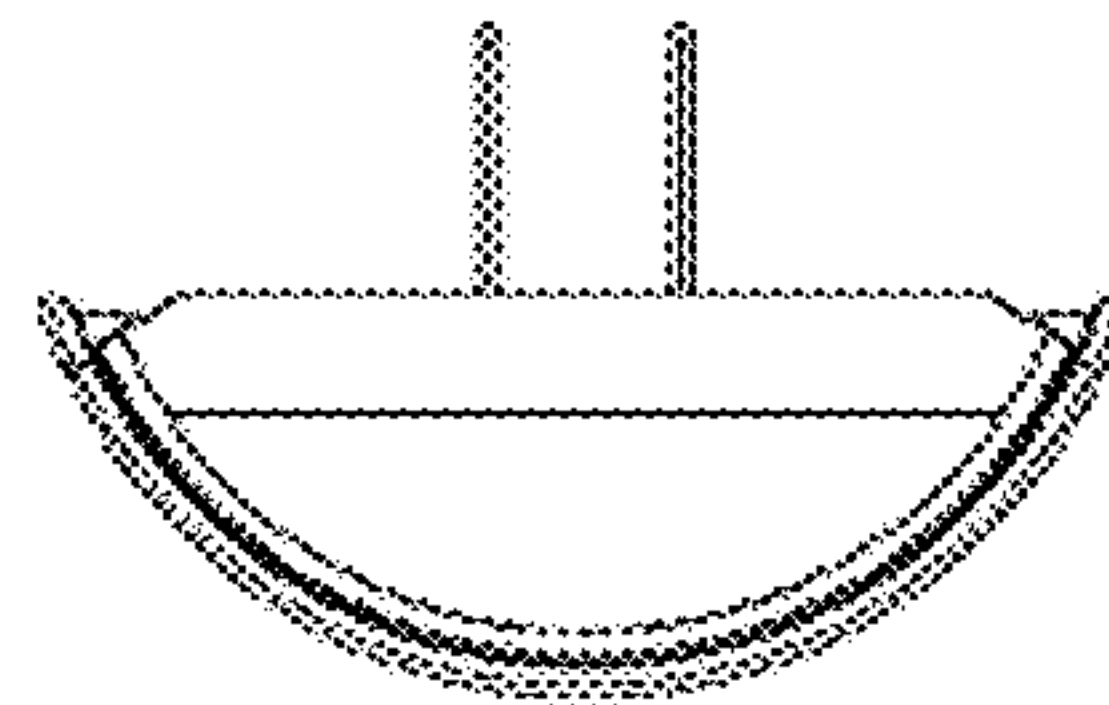


Fig. 8

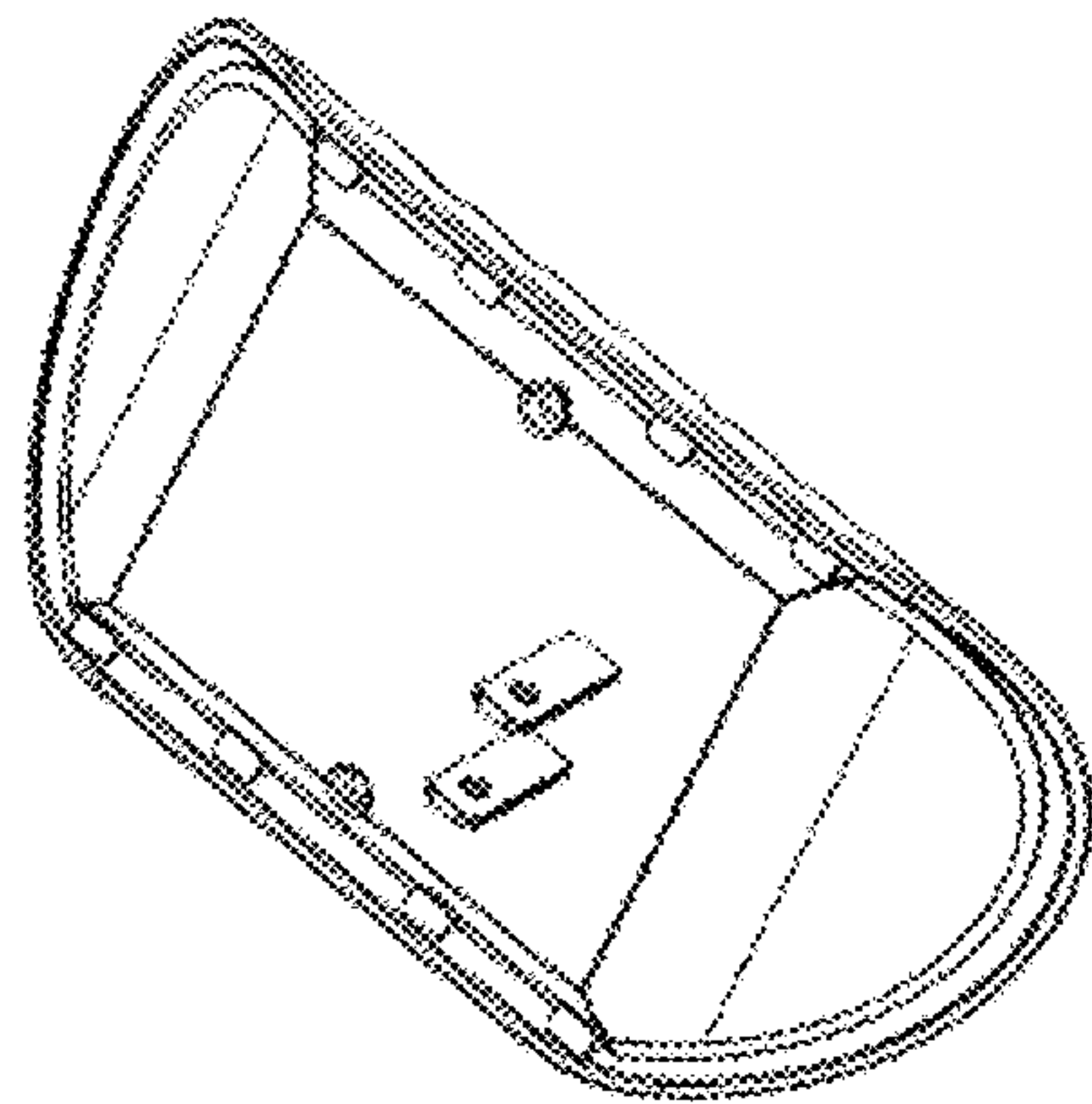


Fig. 9