



US00D810967S

(12) **United States Design Patent** (10) **Patent No.:** **US D810,967 S**
Lim et al. (45) **Date of Patent:** **** Feb. 20, 2018**

(54) **LIGHTING ORNAMENT**

(56) **References Cited**

(71) Applicant: **Green Step Limited**, Fo Tan, New Territories (HK)
(72) Inventors: **Pak Leong Lim**, Ma On Shan (HK); **Chi Hang Frankie Tam**, Shatin (HK); **Julian Hung Yuan Lim**, Ma On Shan (HK)
(73) Assignee: **Green Step Limited**, Fo Tan, N.T. (HK)

U.S. PATENT DOCUMENTS

D597,228 S	*	7/2009	Chang	D26/4
D645,170 S	*	9/2011	Parker	D26/4
D647,647 S	*	10/2011	Parker	D26/4
D668,368 S	*	10/2012	Lu	D26/4

* cited by examiner

Primary Examiner — Marcus Jackson
(74) *Attorney, Agent, or Firm* — Leydig Voit & Mayer

(**) Term: **15 Years**

(57) **CLAIM**

The ornamental design for a lighting ornament, as shown and described.

(21) Appl. No.: **29/582,760**

DESCRIPTION

(22) Filed: **Oct. 31, 2016**

(51) **LOC (11) Cl.** **26-04**

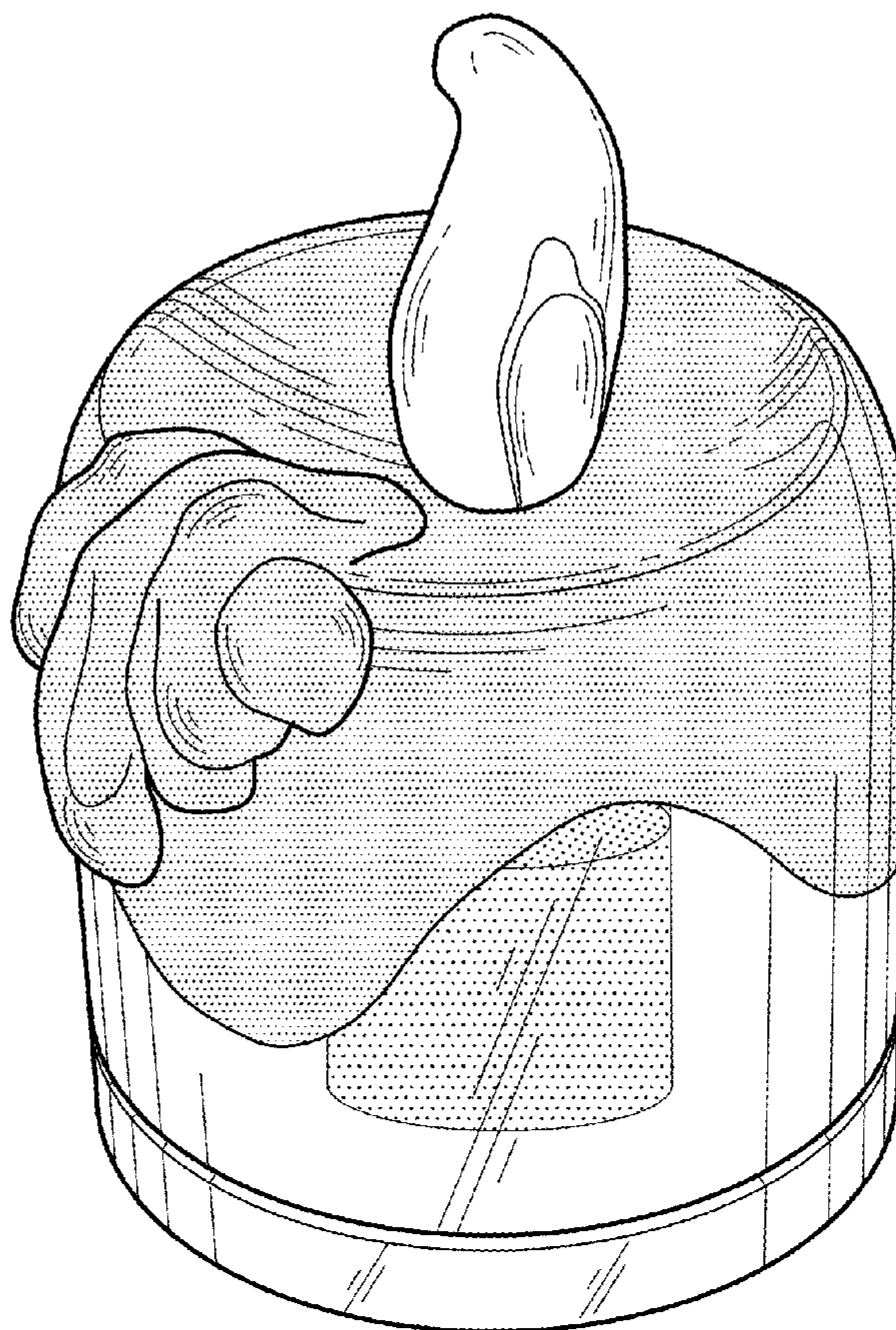
(52) **U.S. Cl.**
USPC **D26/4**

(58) **Field of Classification Search**
USPC D26/1-4; 313/313, 315, 316, 317, 318, 313/493; 315/52, 53, 56, 57, 58
CPC H01R 5/00; H01R 13/46; H01R 13/514; H01R 31/048; H01R 31/02; H01J 5/00; H01J 5/16; H01J 15/00; H01J 5/48; H01J 5/50; H01J 19/54; F21V 5/00

FIG. 1 is a front perspective view of a lighting ornament;
FIG. 2 is a top view thereof;
FIG. 3 is a left side view thereof;
FIG. 4 is a right side view thereof;
FIG. 5 is a bottom side view thereof;
FIG. 6 is a front view thereof;
FIG. 7 is a cross section view from the side view thereof;
FIG. 8 is a rear view thereof; and,
FIG. 9 is a cross section view from the top view thereof.

See application file for complete search history.

1 Claim, 5 Drawing Sheets



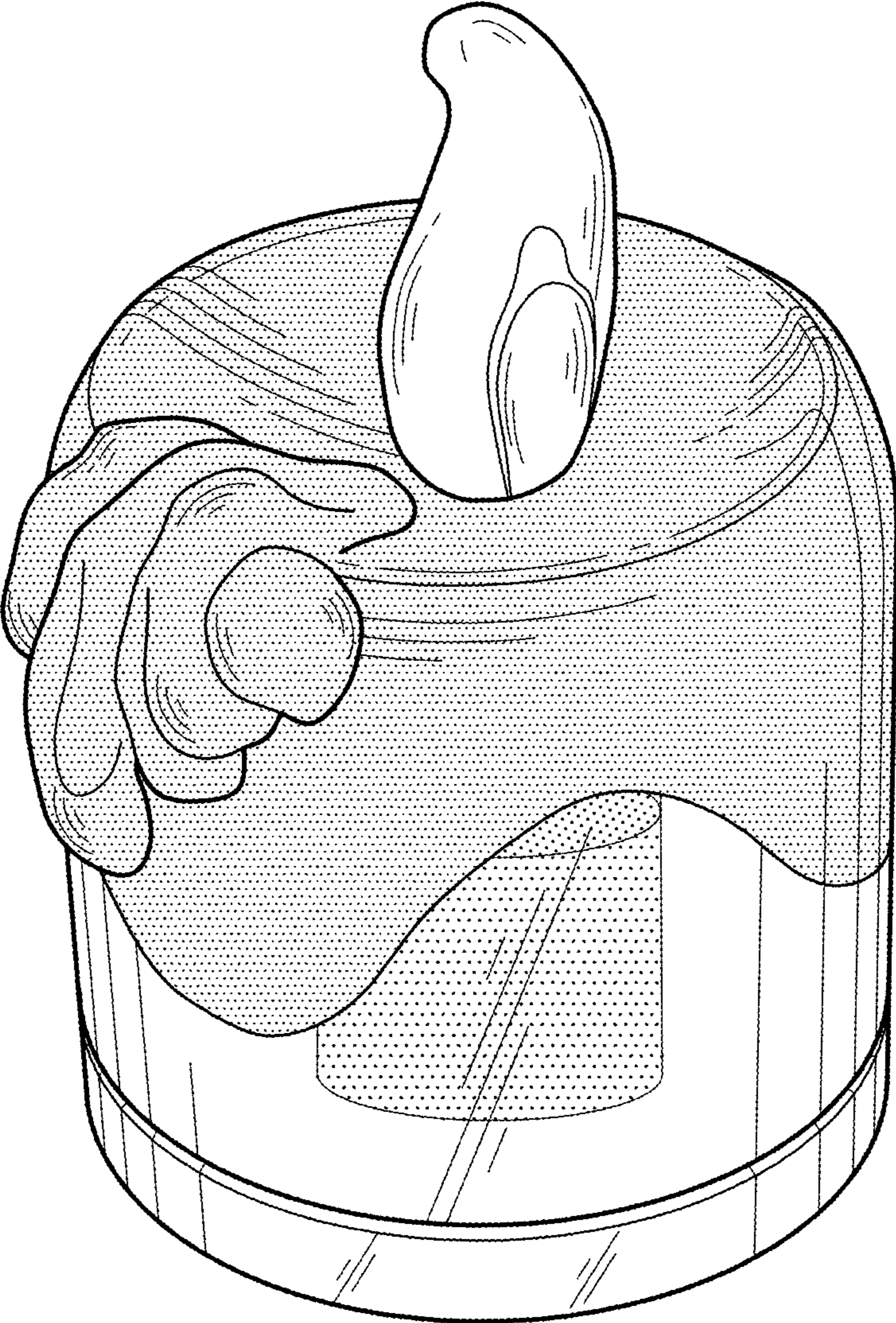


Fig. 1

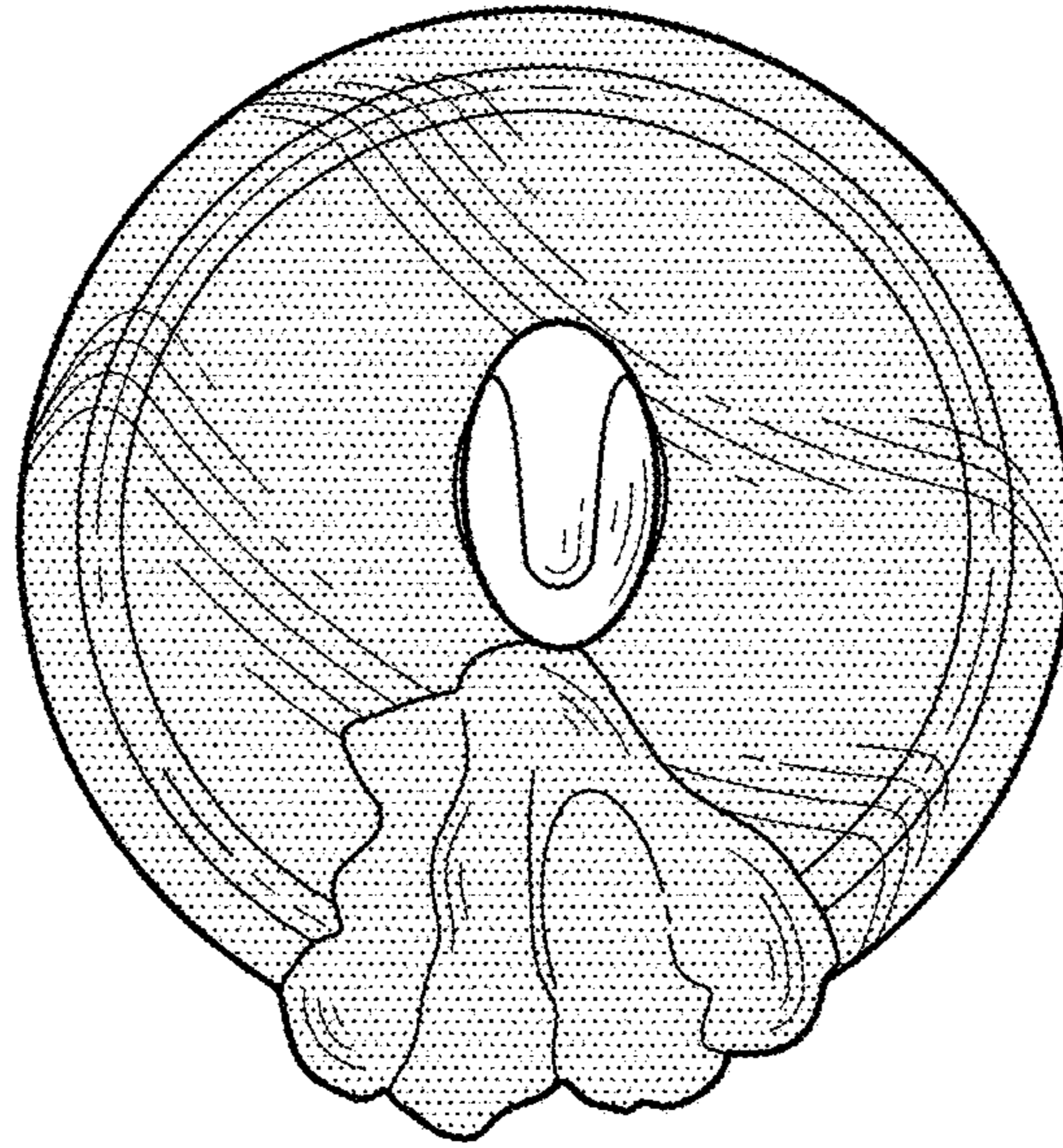


Fig. 2

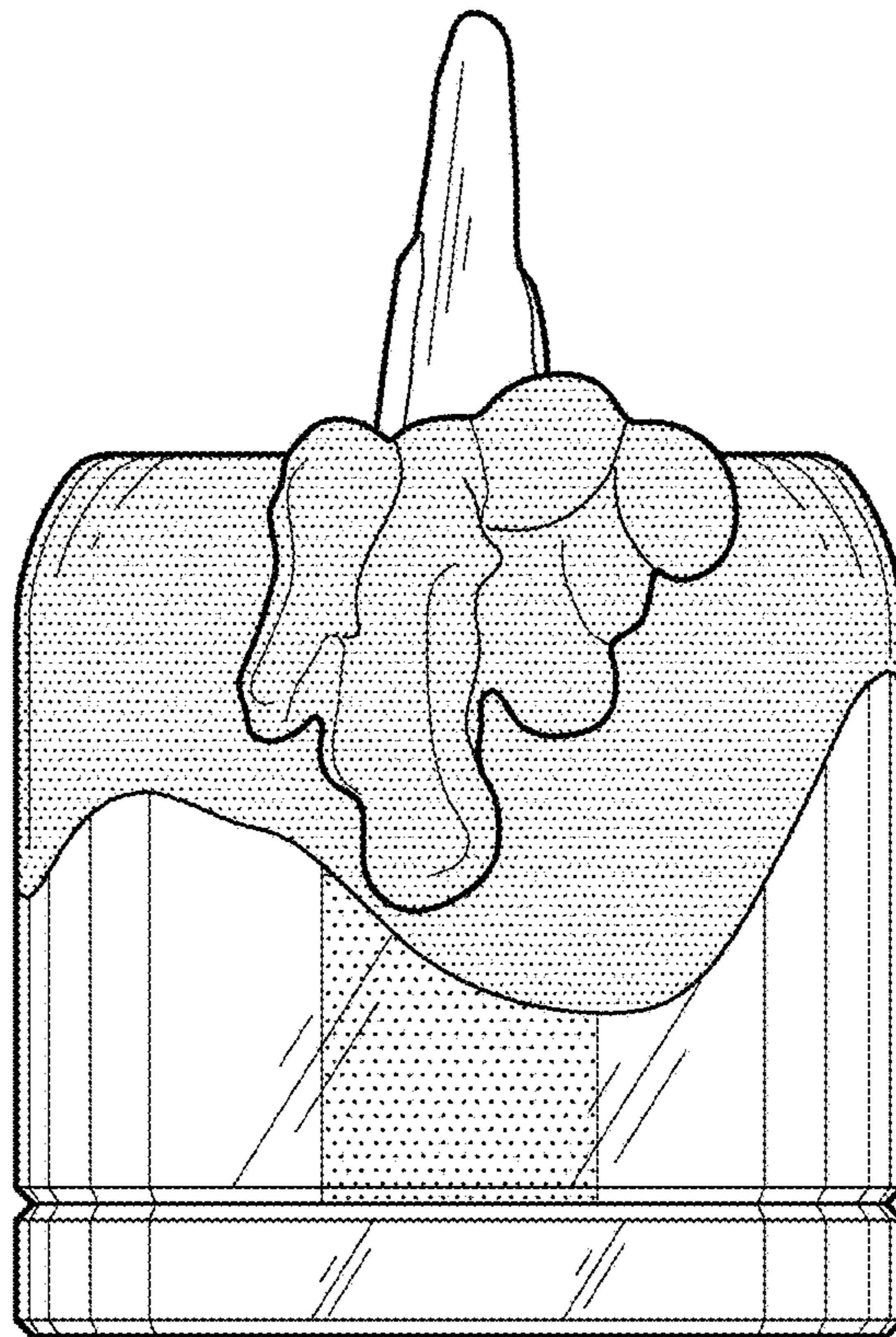


Fig. 3

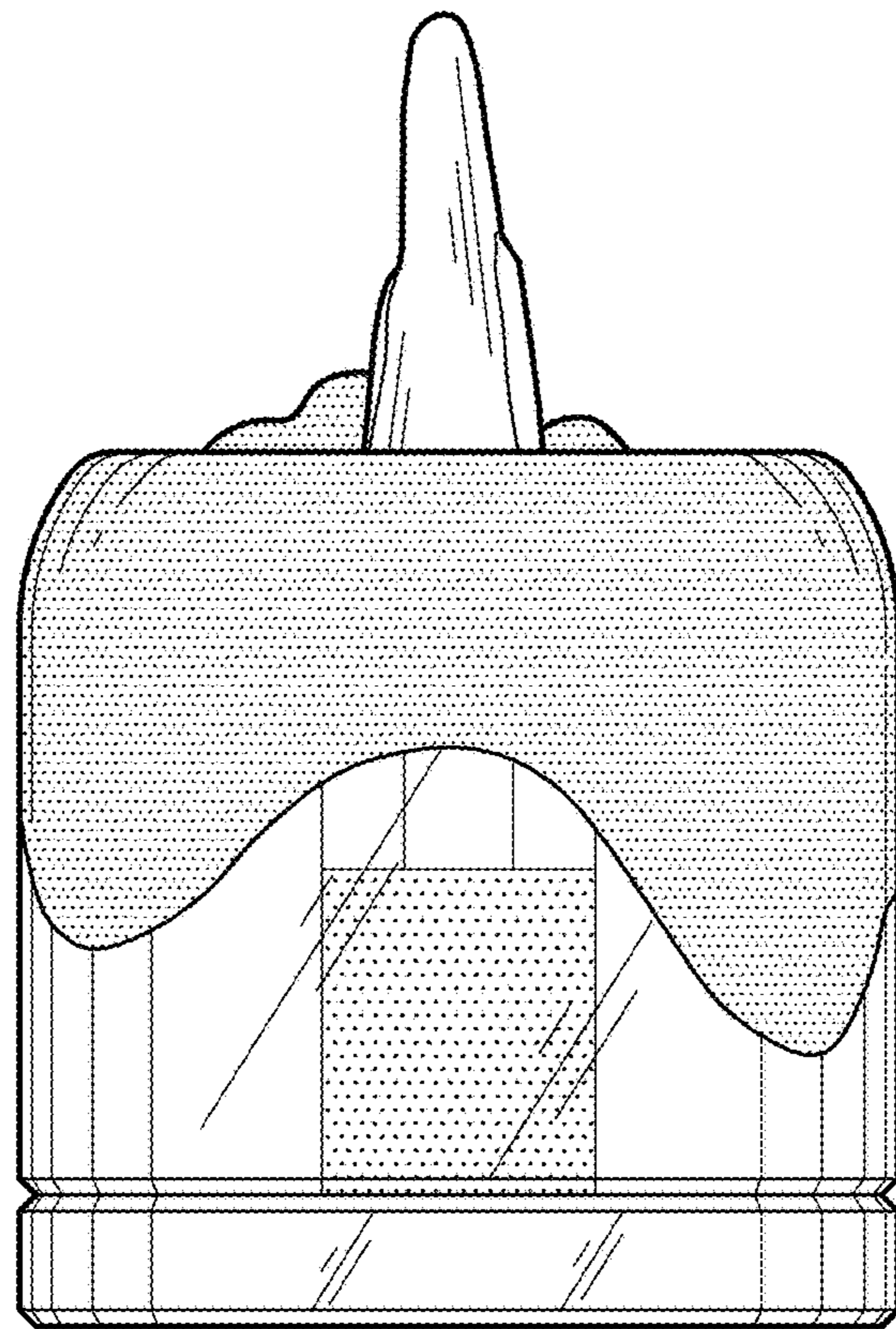


Fig. 4

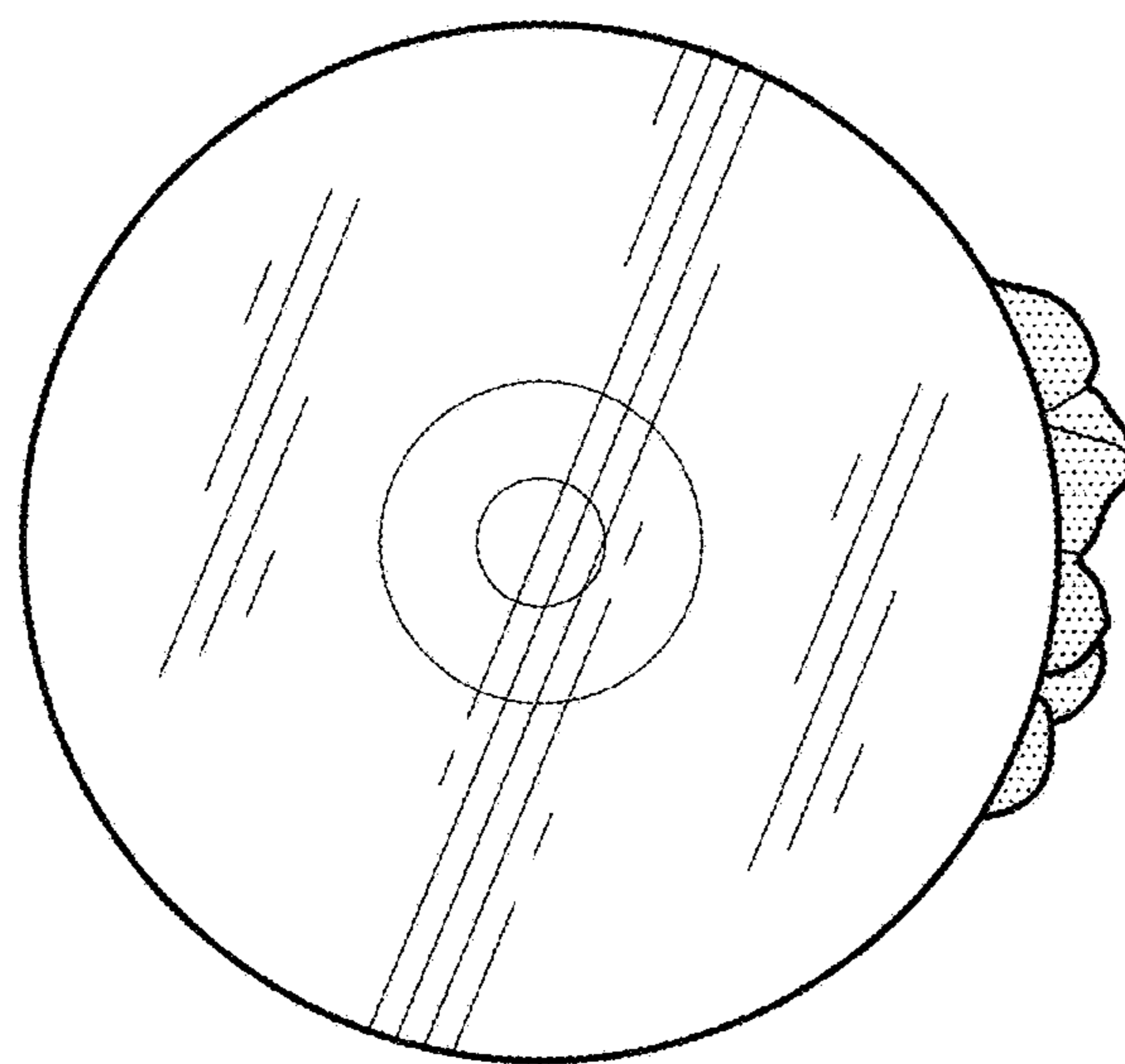


Fig. 5

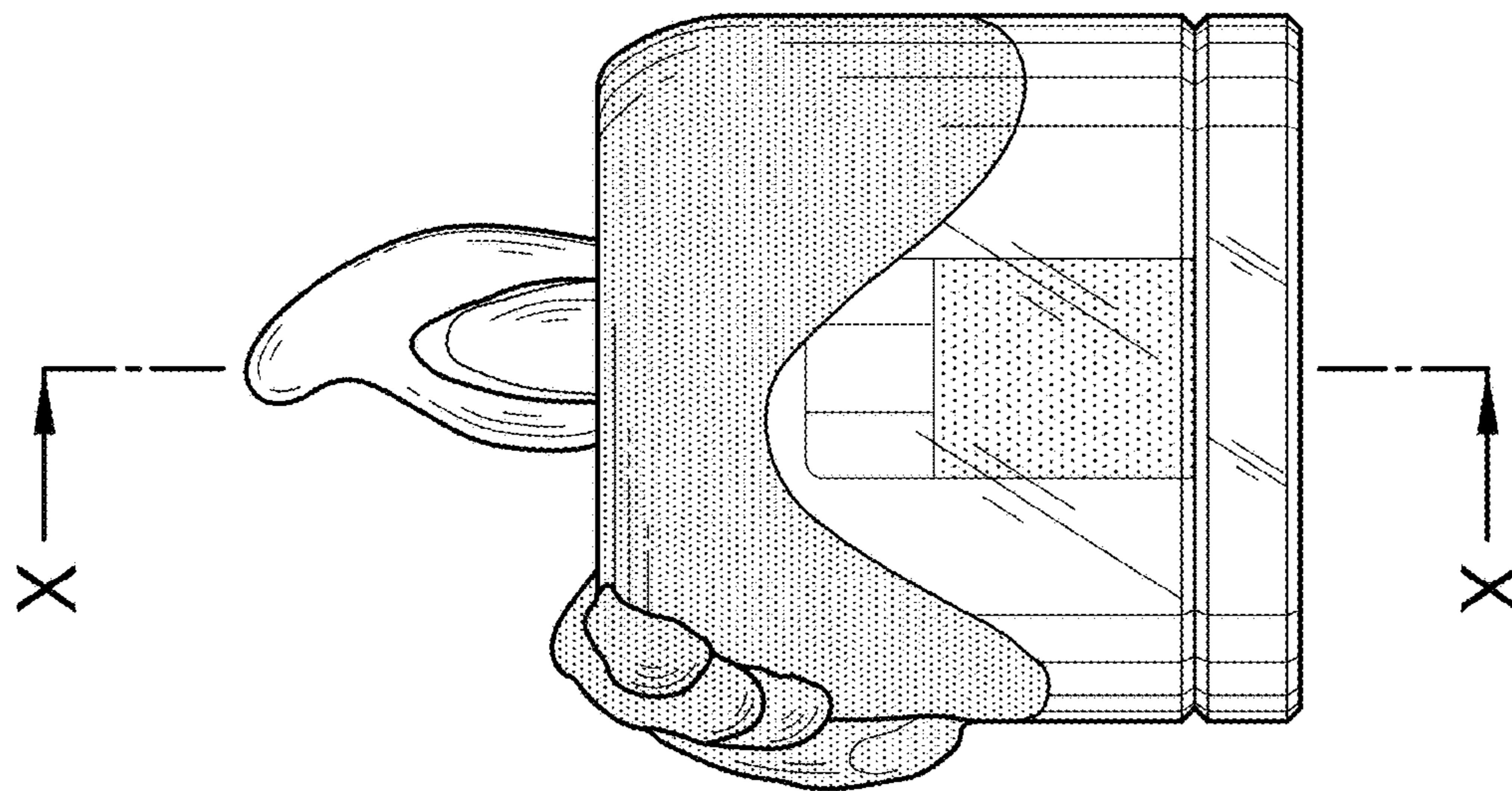


Fig. 6

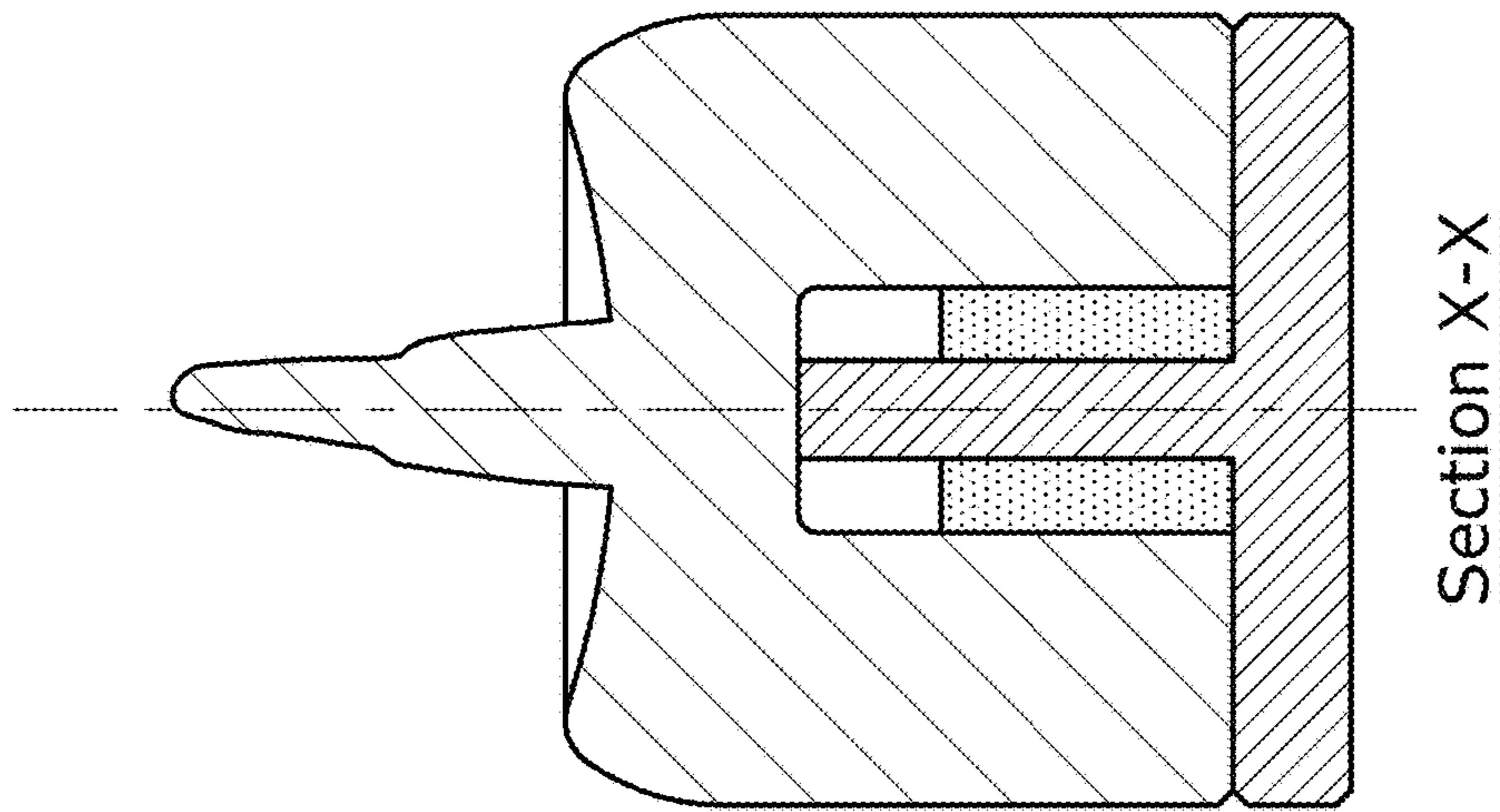


Fig. 7

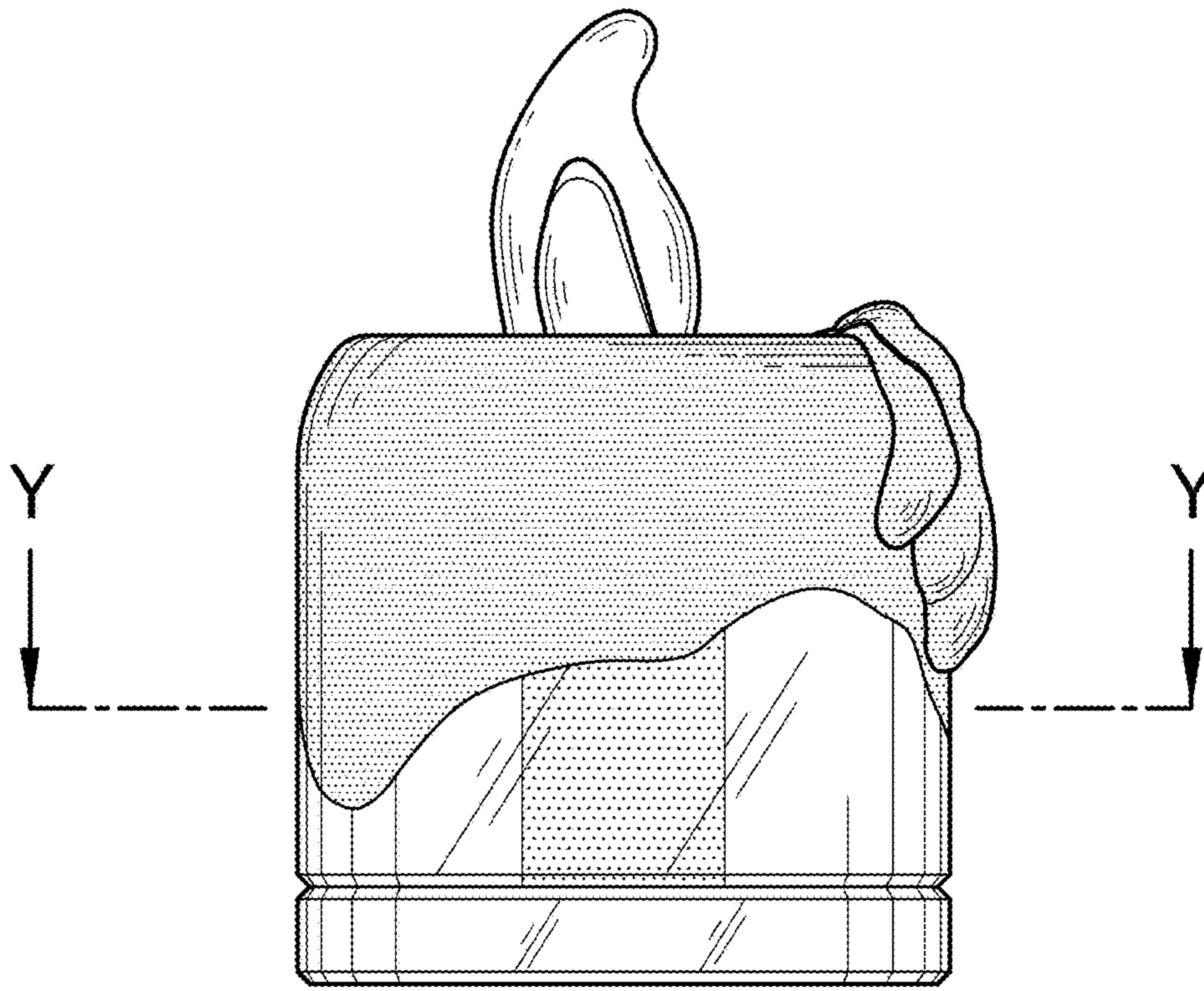
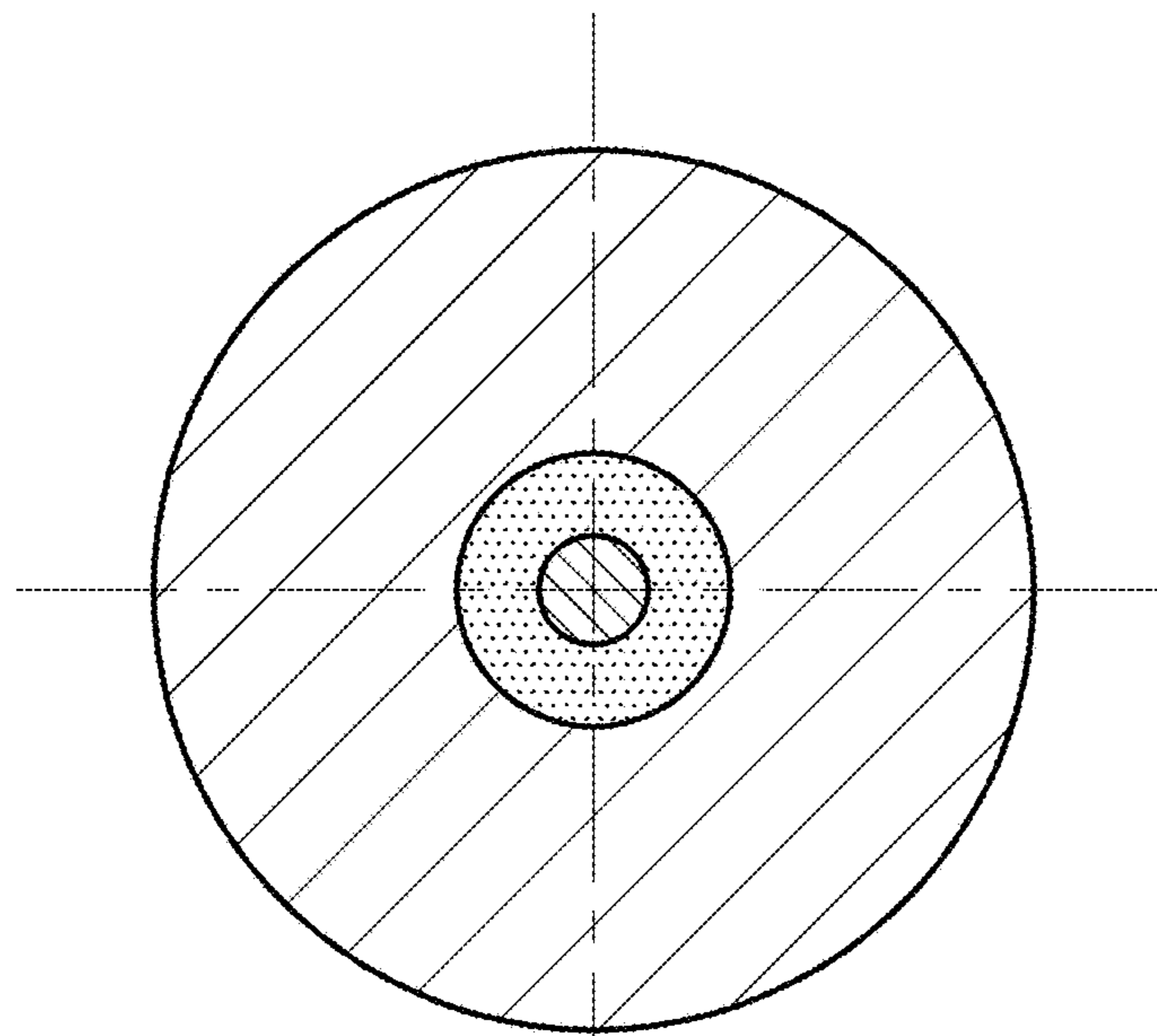


Fig. 8



Section Y-Y

Fig. 9