



US00D810966S

(12) **United States Design Patent**
Zhou

(10) **Patent No.:** **US D810,966 S**

(45) **Date of Patent:** **** Feb. 20, 2018**

(54) **FLUORESCENT TUBE**

(71) Applicant: **Guo Xing Zhou**, Taizhou (CN)

(72) Inventor: **Guo Xing Zhou**, Taizhou (CN)

(**) Term: **15 Years**

(21) Appl. No.: **29/591,307**

(22) Filed: **Jan. 19, 2017**

(51) **LOC (11) Cl.** **26-04**

(52) **U.S. Cl.**
USPC **D26/3**

(58) **Field of Classification Search**
USPC D26/1-4; 313/313, 315, 316, 317, 318,
313/493; 315/52, 53, 56, 57, 58
CPC H01R 5/00; H01R 13/46; H01R 13/514;
H01R 31/048; H01R 31/02; H01J 5/00;
H01J 5/16; H01J 15/00; H01J 5/48; H01J
5/50; H01J 19/54; F21V 5/00
See application file for complete search history.

(56) **References Cited**

U.S. PATENT DOCUMENTS

D506,274 S * 6/2005 Moriyama D26/24

D576,749 S * 9/2008 Kitagawa D26/3
D611,172 S * 3/2010 Lin D26/3
D636,504 S * 4/2011 Duster D26/3

* cited by examiner

Primary Examiner — Marcus Jackson

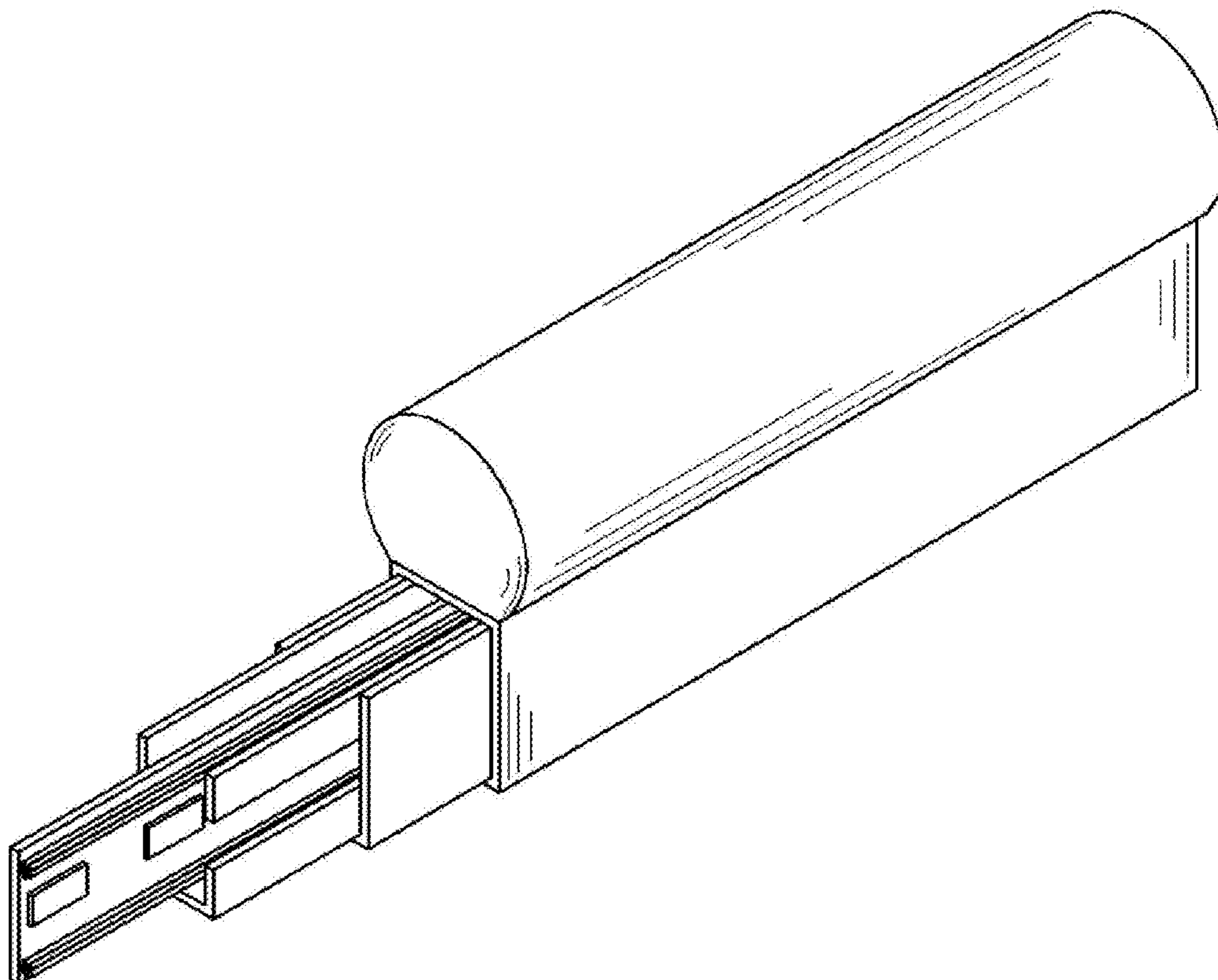
(57) **CLAIM**

The ornamental design for a fluorescent tube, as shown and described.

DESCRIPTION

FIG. 1 is a perspective view of a fluorescent tube showing my new design;
FIG. 2 is a front elevational view thereof;
FIG. 3 is a top elevational view thereof;
FIG. 4 is a left side elevational view thereof;
FIG. 5 is a rear side elevational view thereof;
FIG. 6 is a right plan view thereof; and,
FIG. 7 is a bottom plan view thereof.

1 Claim, 7 Drawing Sheets



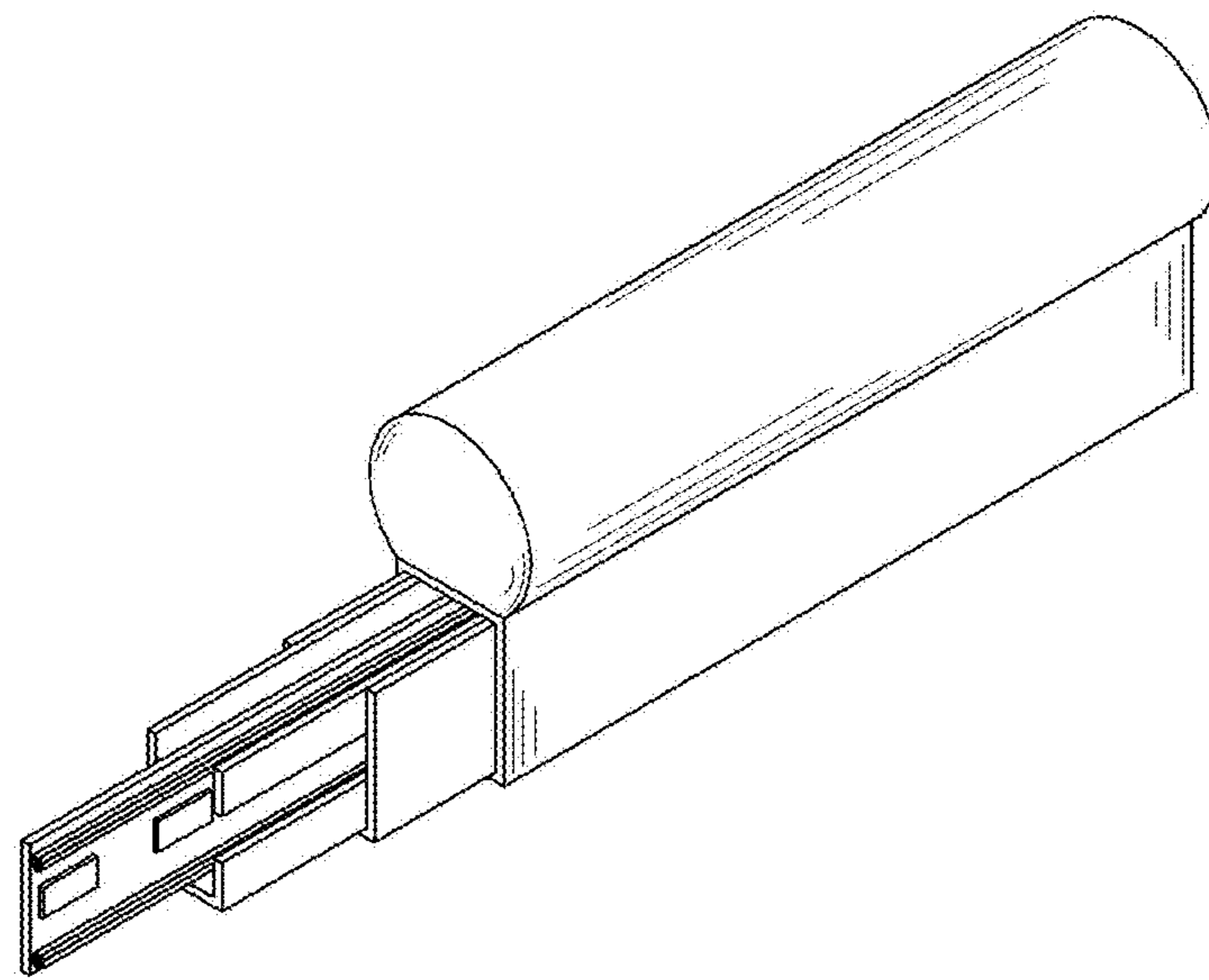


FIG. 1

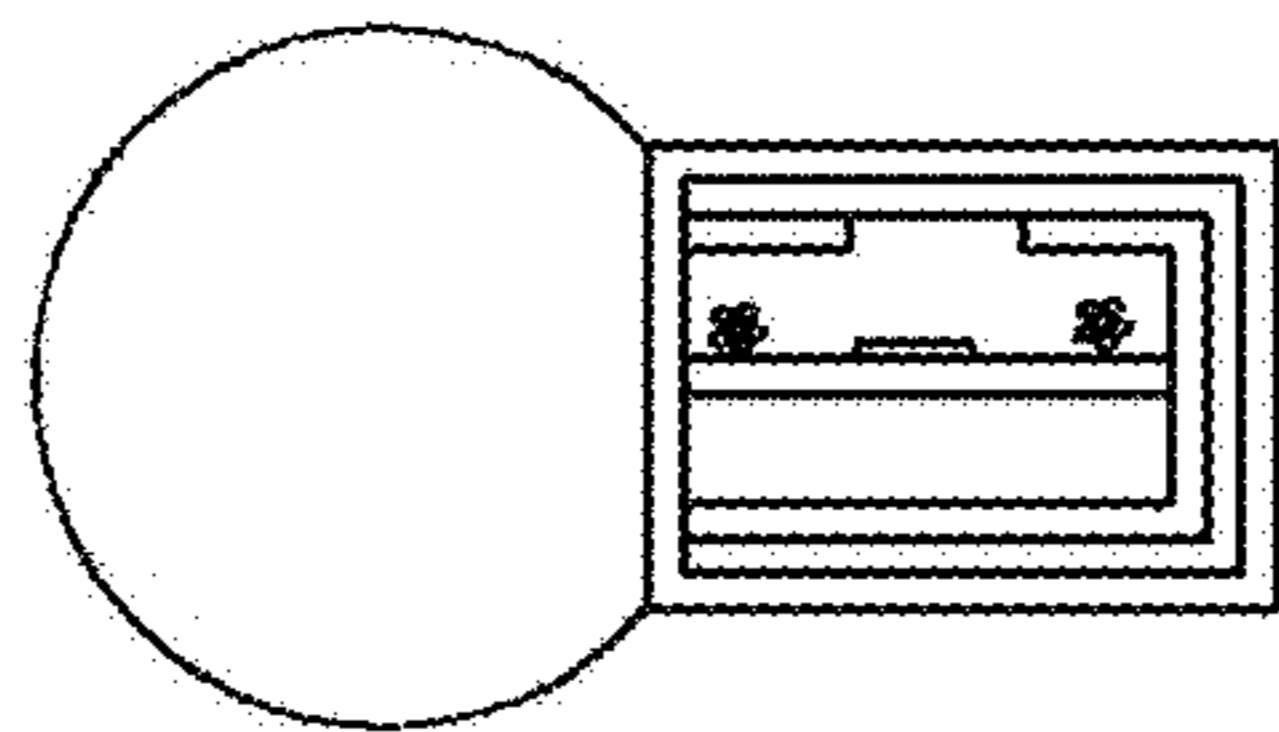


FIG. 2

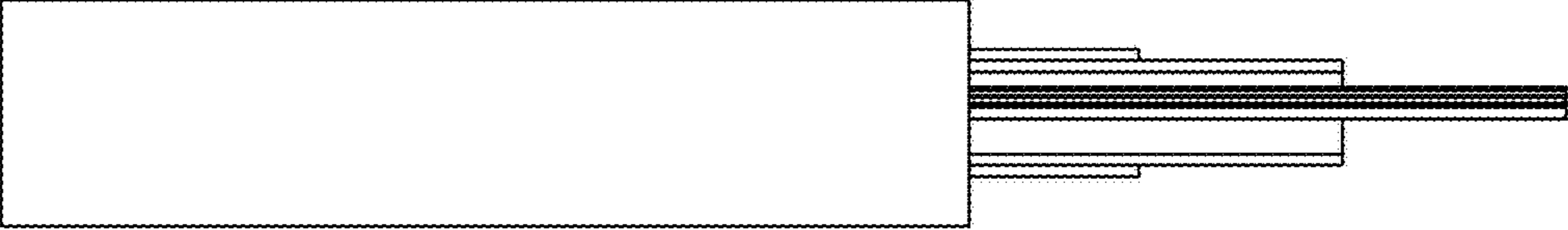


FIG. 3

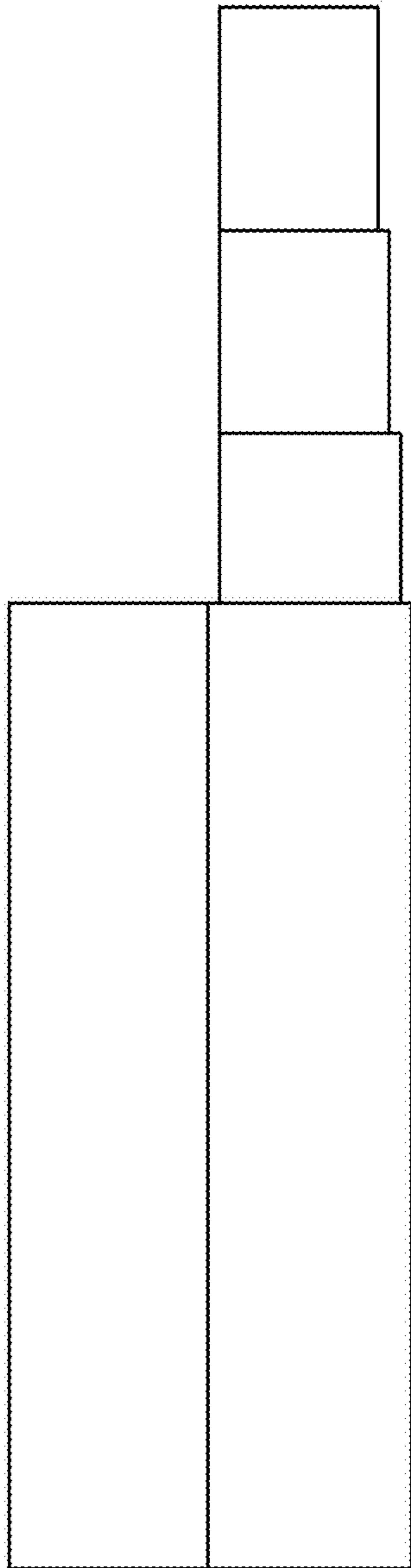


FIG. 4

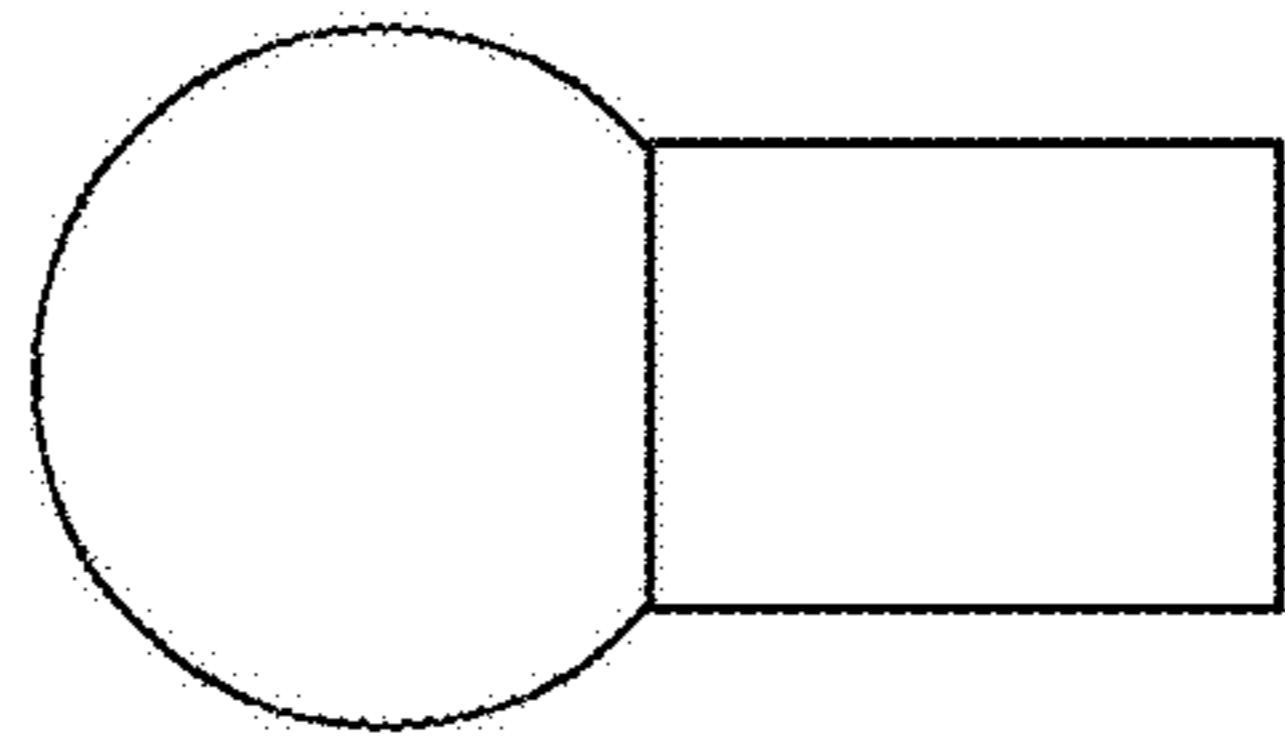


FIG. 5

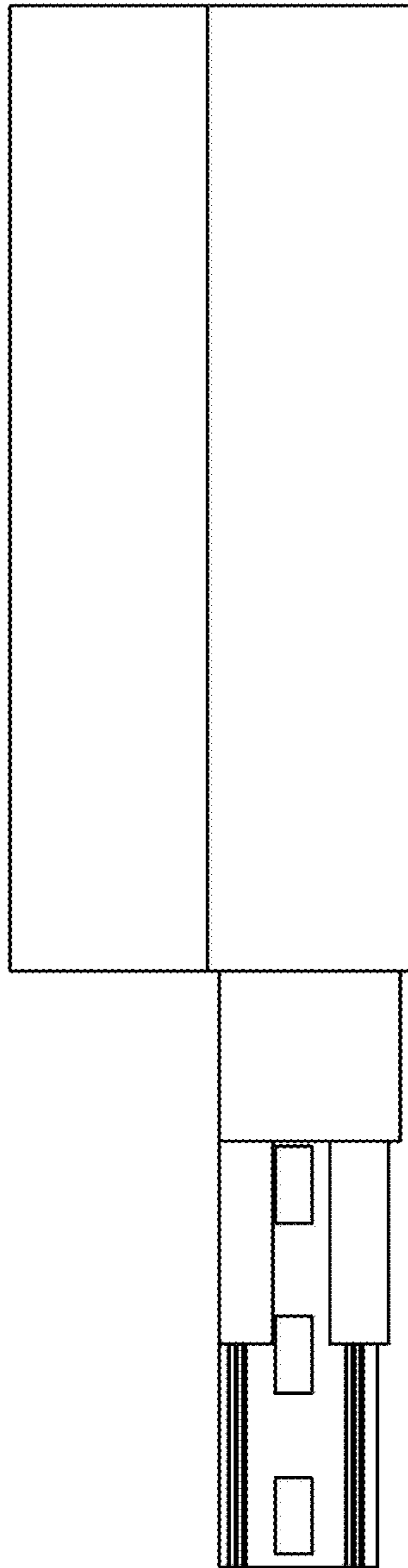


FIG. 6

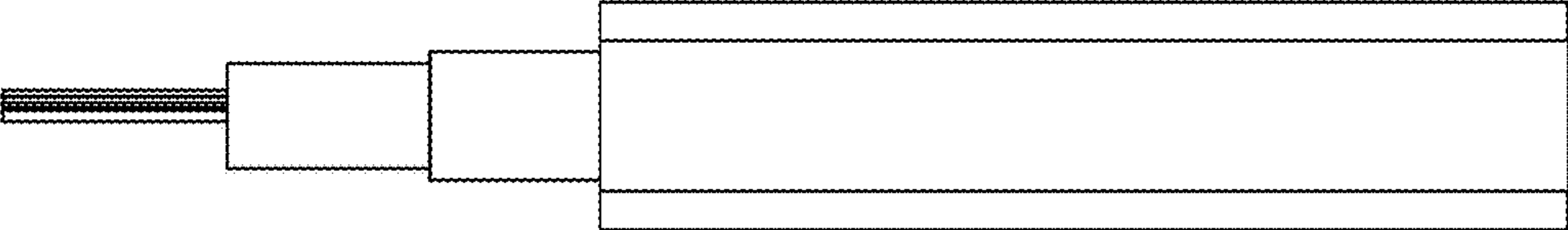


FIG. 7