



US00D810965S

(12) **United States Design Patent** (10) **Patent No.:** **US D810,965 S**
Whiteley (45) **Date of Patent:** **** Feb. 20, 2018**

(54) **FENCING SUPPORT BASE**
(71) Applicant: **Oxford Plastic Systems Limited**,
Enstone, Oxfordshire (GB)
(72) Inventor: **Christopher J. Whiteley**, Finmere
(GB)
(73) Assignee: **OXFORD PLASTIC SYSTEMS**
LIMITED, Enstone, Oxfordshire (GB)

D513,536 S * 1/2006 Walker D25/133
D520,649 S * 5/2006 Hansort D25/133
D530,834 S * 10/2006 Navare D25/133
D599,915 S * 9/2009 Godwin E04C 3/32
D25/133
D635,278 S * 3/2011 Stanford D25/133
D739,563 S * 9/2015 Whiteley D25/133
D767,167 S * 9/2016 Masuda D25/133
D767,795 S * 9/2016 Bucarizza D25/126
2010/0207088 A1* 8/2010 Bowman E04H 17/18
256/31

(**) Term: **15 Years**

* cited by examiner

(21) Appl. No.: **29/553,223**

Primary Examiner — Thomas Johannes

(22) Filed: **Jan. 29, 2016**

Assistant Examiner — Samantha Q Lawrence

(51) **LOC (11) Cl.** **25-01**
(52) **U.S. Cl.**
USPC **D25/133**

(74) *Attorney, Agent, or Firm* — O’Shea Getz P.C.

(58) **Field of Classification Search**
USPC D25/126–135; 52/149, 345, 831, 832,
52/833, 834, 835, 153, 154, 165, 166,
52/159, 155, 146; D8/1; 248/530, 545,
248/87, 156
CPC ... E04C 3/32; E04H 12/2238; E04H 12/2261;
E04H 12/2269; E04H 17/18
See application file for complete search history.

(57) **CLAIM**

The ornamental design for a fencing support base, as shown and described.

DESCRIPTION

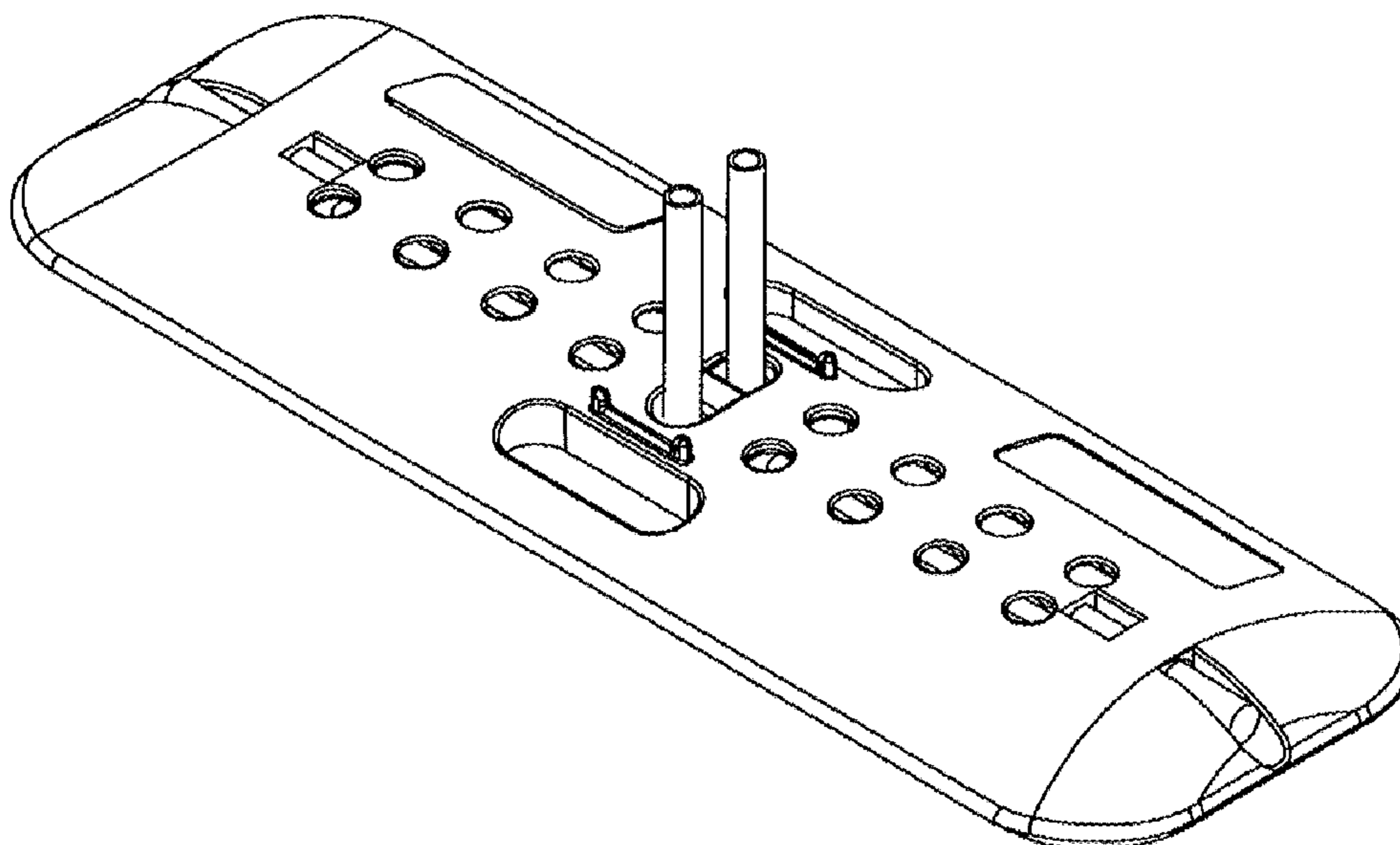
(56) **References Cited**

U.S. PATENT DOCUMENTS

D247,822 S * 5/1978 Hein 600/556
D406,038 S * 2/1999 Glesser D8/91

FIG. 1 is a top side perspective view of a fencing support base;
FIG. 2 is a top elevational view thereof;
FIG. 3 is a bottom elevational view thereof;
FIG. 4 is a front side elevational view thereof;
FIG. 5 is a back side elevational view thereof;
FIG. 6 is a left side elevational view thereof; and,
FIG. 7 is a right side view thereof.
The broken line areas show portions of the fencing support base that form no part of the claimed design.

1 Claim, 3 Drawing Sheets



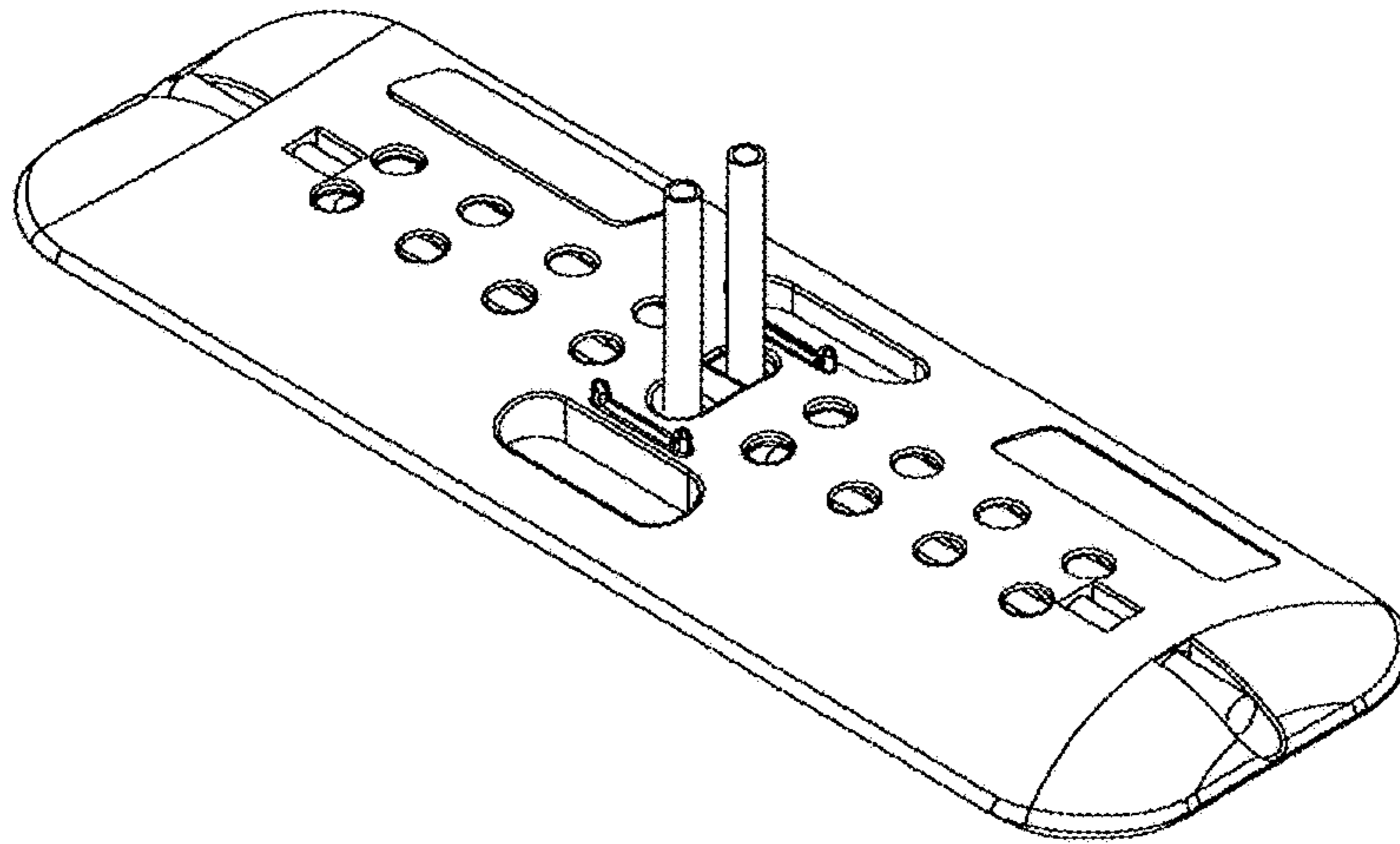


FIG. 1

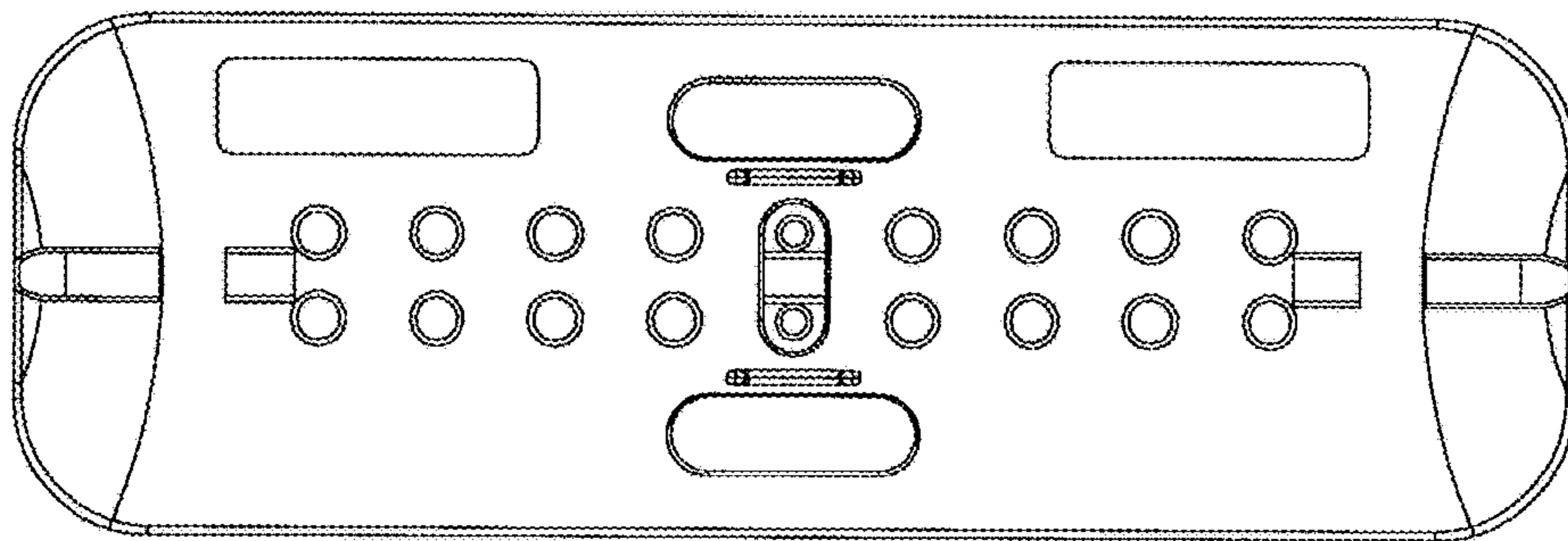


FIG. 2

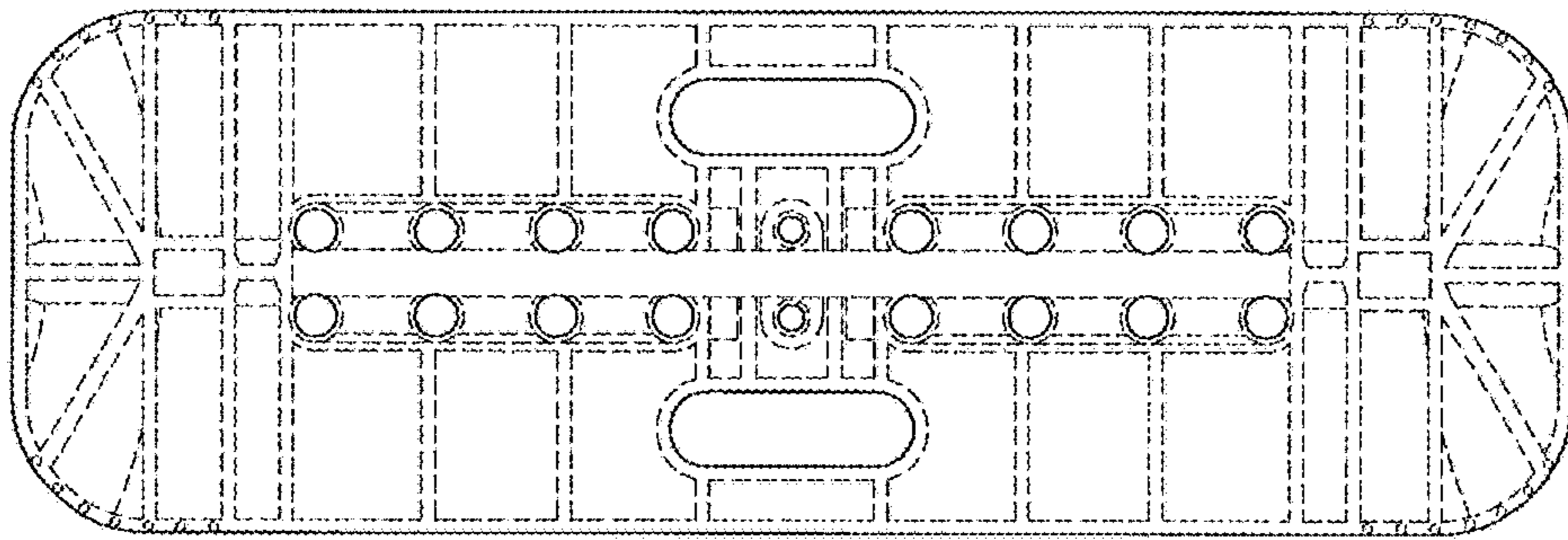


FIG. 3

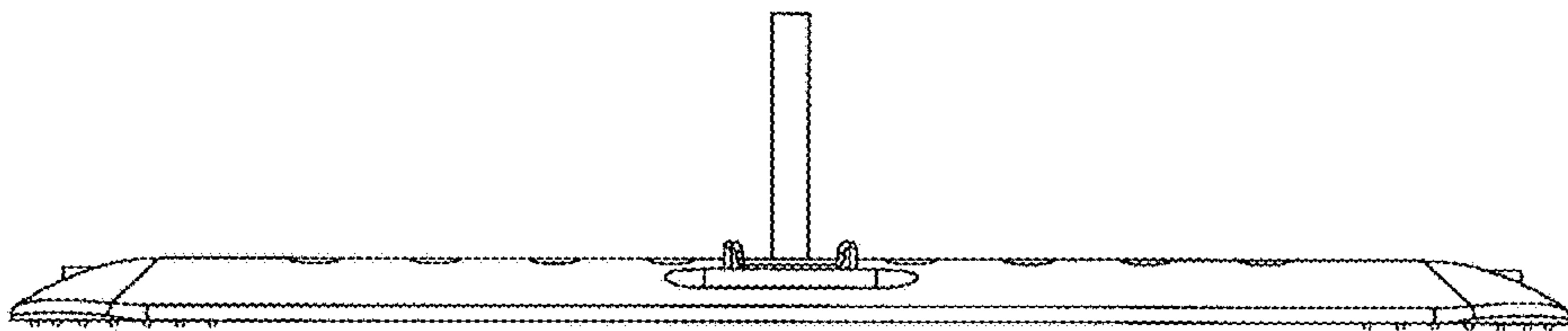


FIG. 4

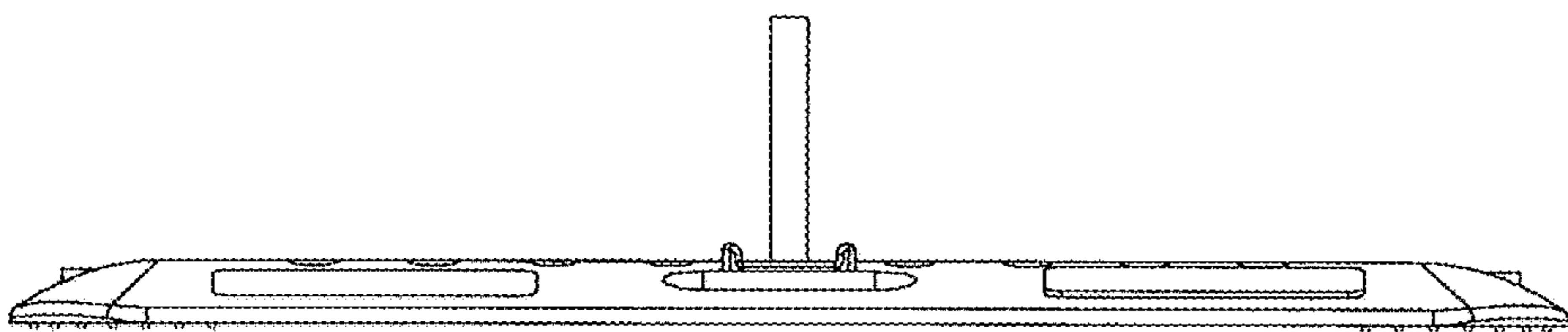


FIG. 5

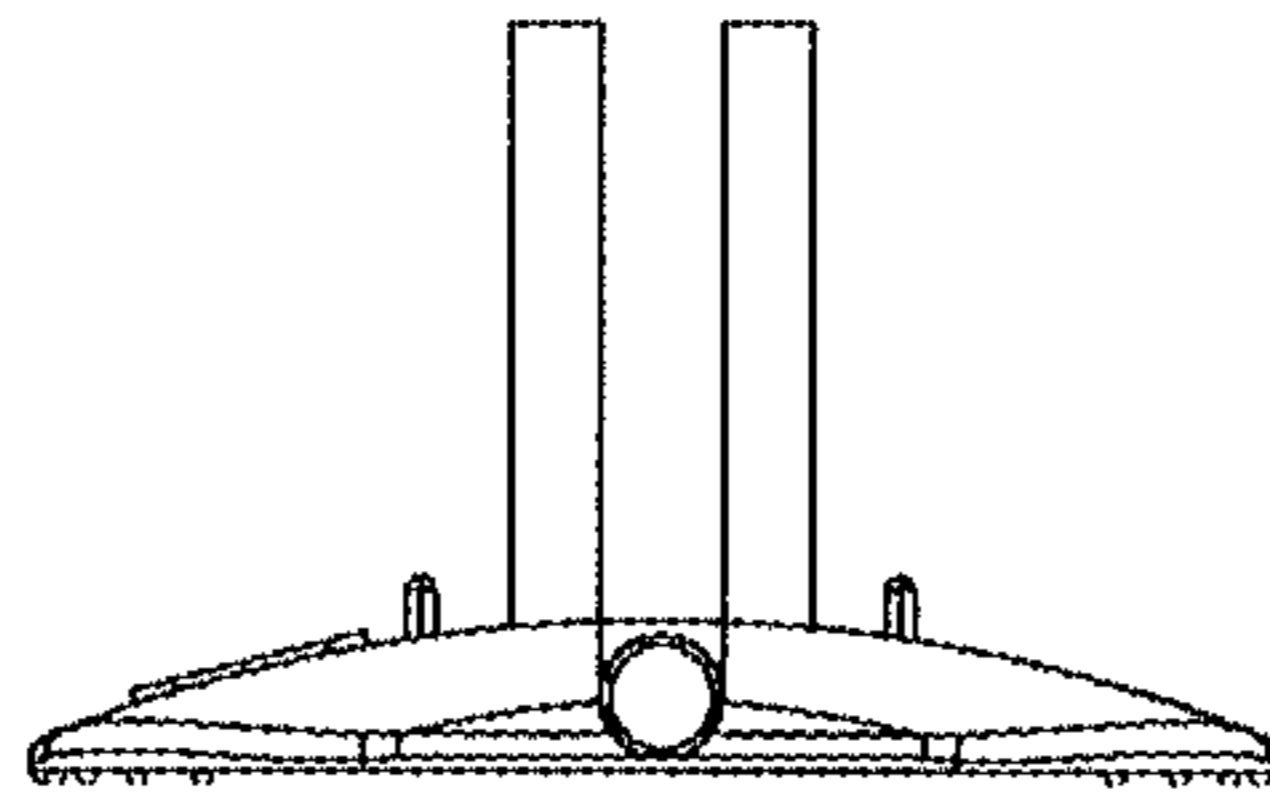


FIG. 6

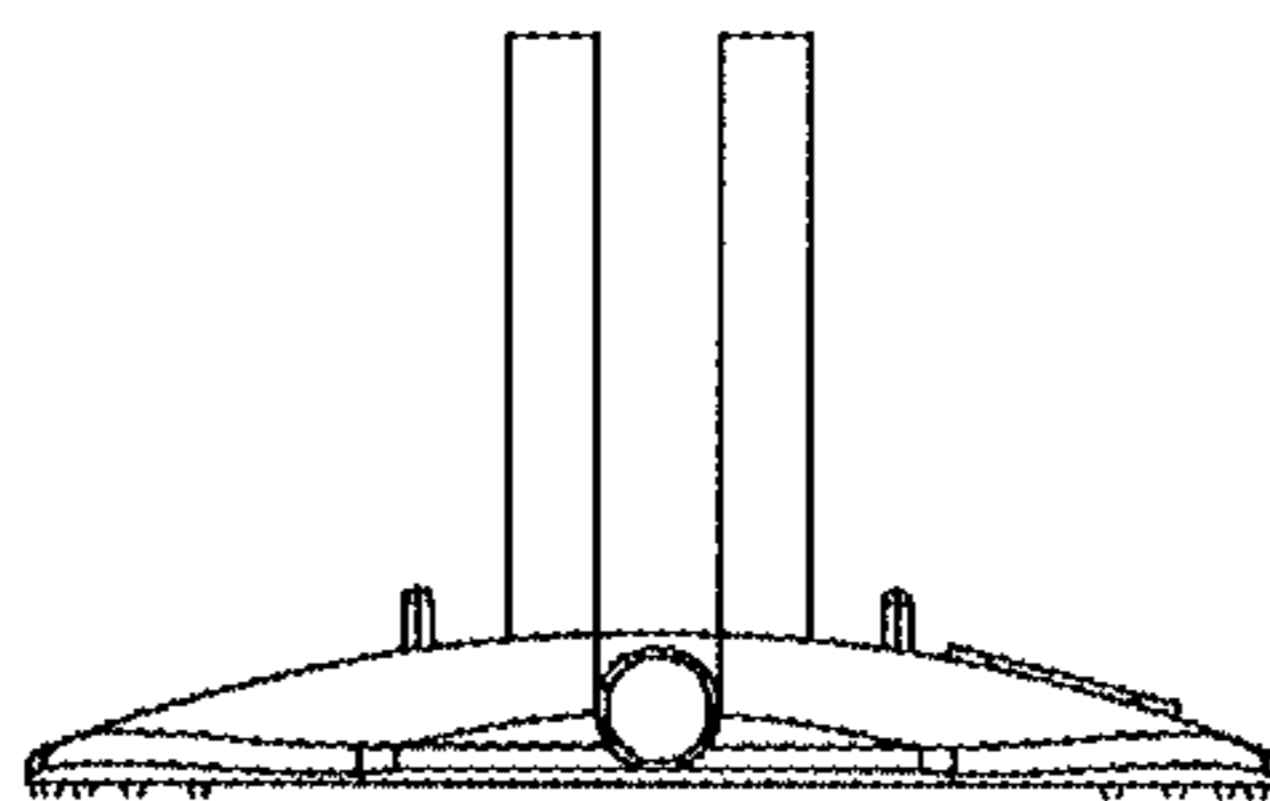


FIG. 7