



US00D810960S

(12) **United States Design Patent** (10) **Patent No.:** **US D810,960 S**
Umlor (45) **Date of Patent:** **** Feb. 20, 2018**

(54) **LADDER REST AND RESTRAINING DEVICE**

(71) Applicant: **Terrence L. Umlor**, Kingsley, MI (US)

(72) Inventor: **Terrence L. Umlor**, Kingsley, MI (US)

(**) Term: **15 Years**

(21) Appl. No.: **29/584,028**

(22) Filed: **Nov. 10, 2016**

(51) **LOC (11) Cl.** **25-04**

(52) **U.S. Cl.**
USPC **D25/68**

(58) **Field of Classification Search**
USPC D25/68; 182/107, 112, 106, 165, 229,
182/113, 117, 172, 214; D6/566
CPC E06C 7/48; E06C 7/14
See application file for complete search history.

(56) **References Cited**

U.S. PATENT DOCUMENTS

5,000,328	A	3/1991	Hein	
5,010,979	A *	4/1991	Shreve, III E06C 7/48 182/107
5,215,163	A	6/1993	Kent, Sr. et al.	
D417,996	S	12/1999	Mallen	
6,029,774	A	2/2000	Cothorn	
6,152,262	A	11/2000	Jung	
6,578,665	B1	6/2003	DeBaca et al.	
D498,631	S	11/2004	Anderson et al.	
6,962,237	B2	11/2005	Underhill	
7,137,482	B2 *	11/2006	Underhill E06C 7/48 182/107
D533,745	S	12/2006	Rodrigue	
7,909,138	B2	3/2011	Svehlek	
8,099,910	B1	1/2012	Gaines	
D683,054	S	5/2013	Deardorf	
8,439,163	B2	5/2013	Inman	
D706,953	S	6/2014	Johnson	
8,776,948	B2 *	7/2014	Svehlek E06C 7/48 182/107
8,839,907	B2 *	9/2014	Davis, Jr. E06C 7/182 182/106
D715,964	S	10/2014	Von Hebestreit	

9,234,389	B2 *	1/2016	Umlor E06C 7/48
D759,842	S *	6/2016	Umlor D25/68
2003/0201139	A1 *	10/2003	Haig E06C 7/14 182/107
2009/0000868	A1	1/2009	Gaines	
2013/0055648	A1	3/2013	Snyder	
2013/0199874	A1	8/2013	Davis, Jr.	
2015/0204140	A1	7/2015	Umlor et al.	

OTHER PUBLICATIONS

Ladderport, www.ladder-port.com, ladderdock, 2013 retailer choice best new product winner, dated Mar. 25, 2014, 8 pages.

* cited by examiner

Primary Examiner — Cynthia Ramirez

Assistant Examiner — Gino Colan

(74) *Attorney, Agent, or Firm* — Dinsmore & Shohl LLP

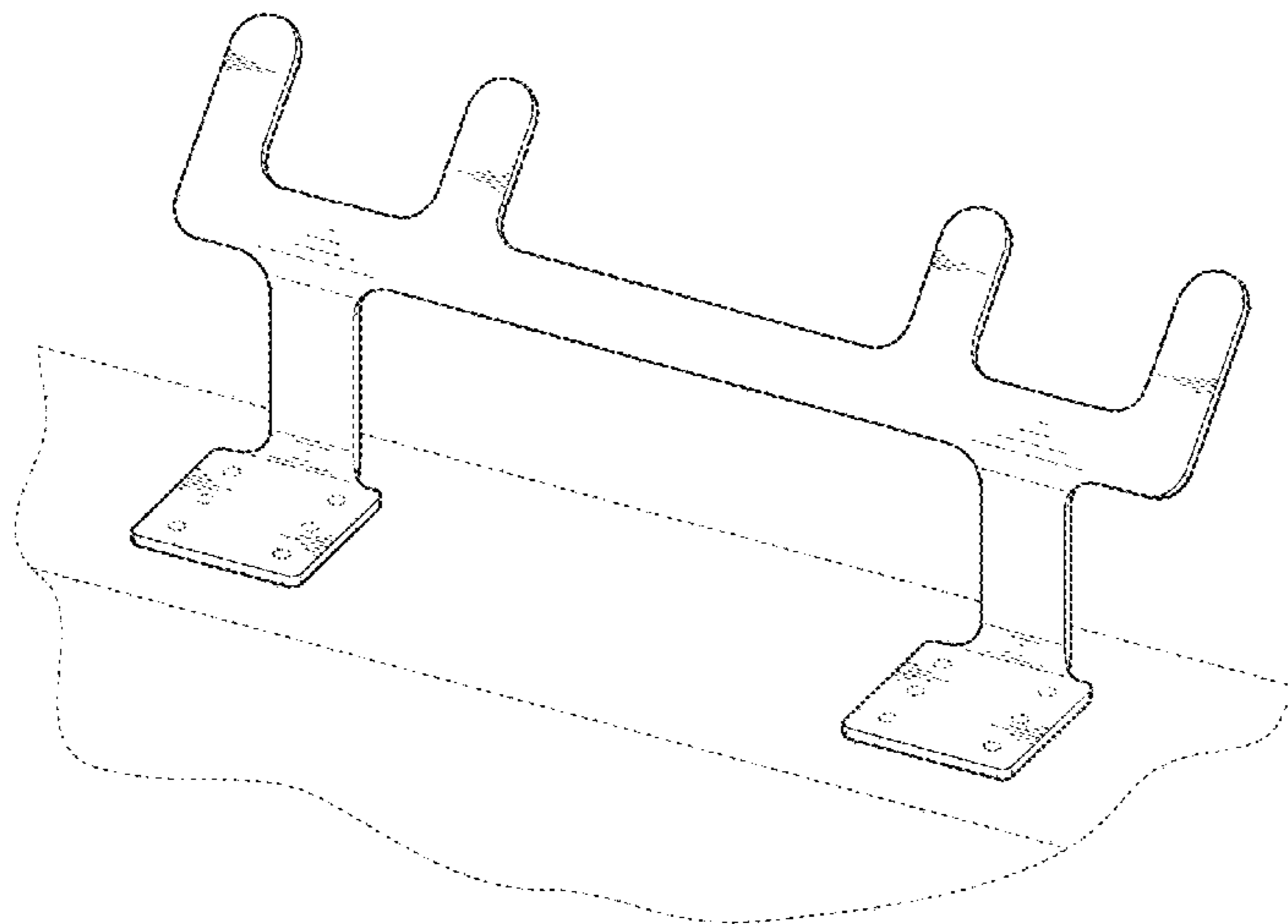
(57) **CLAIM**

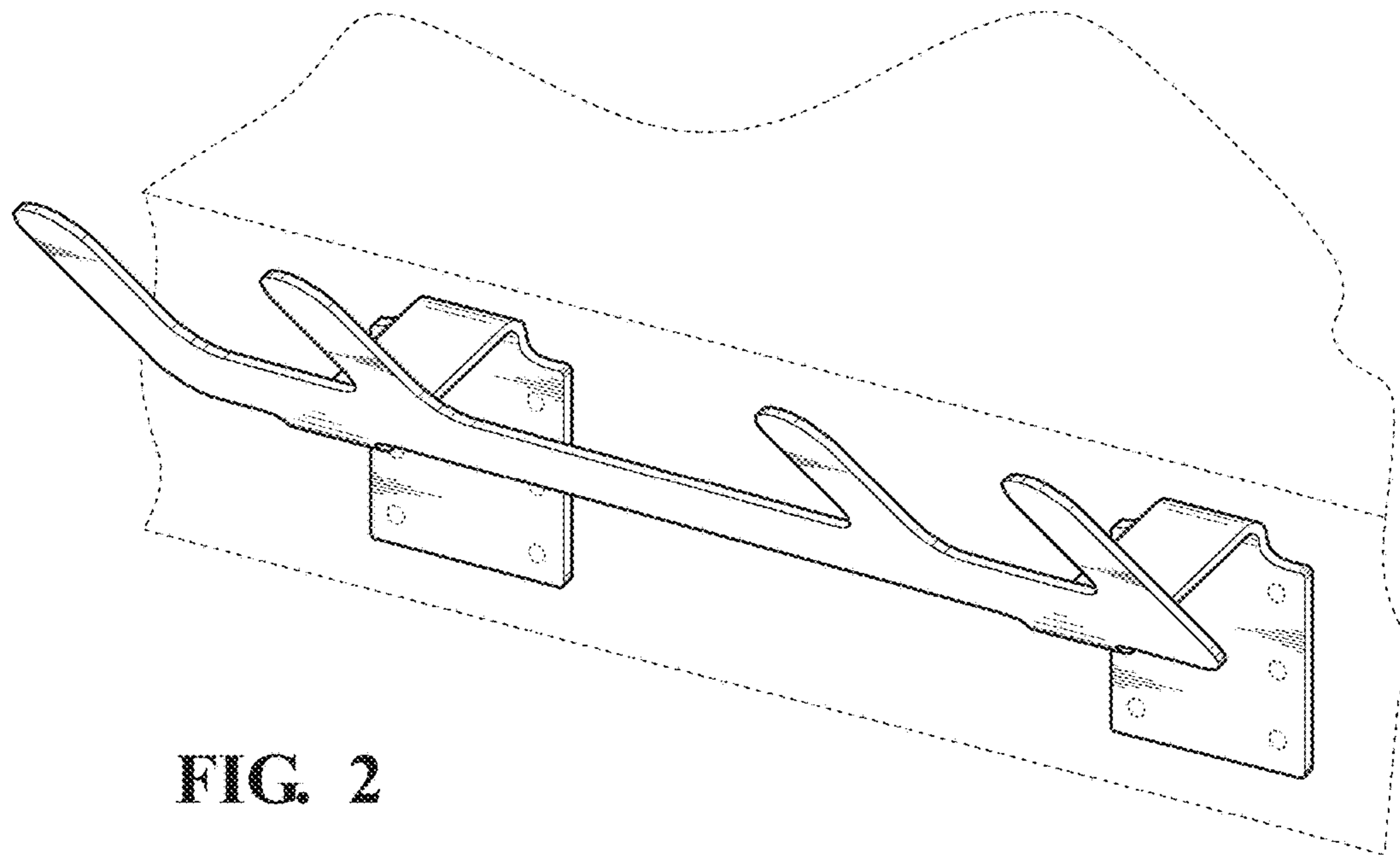
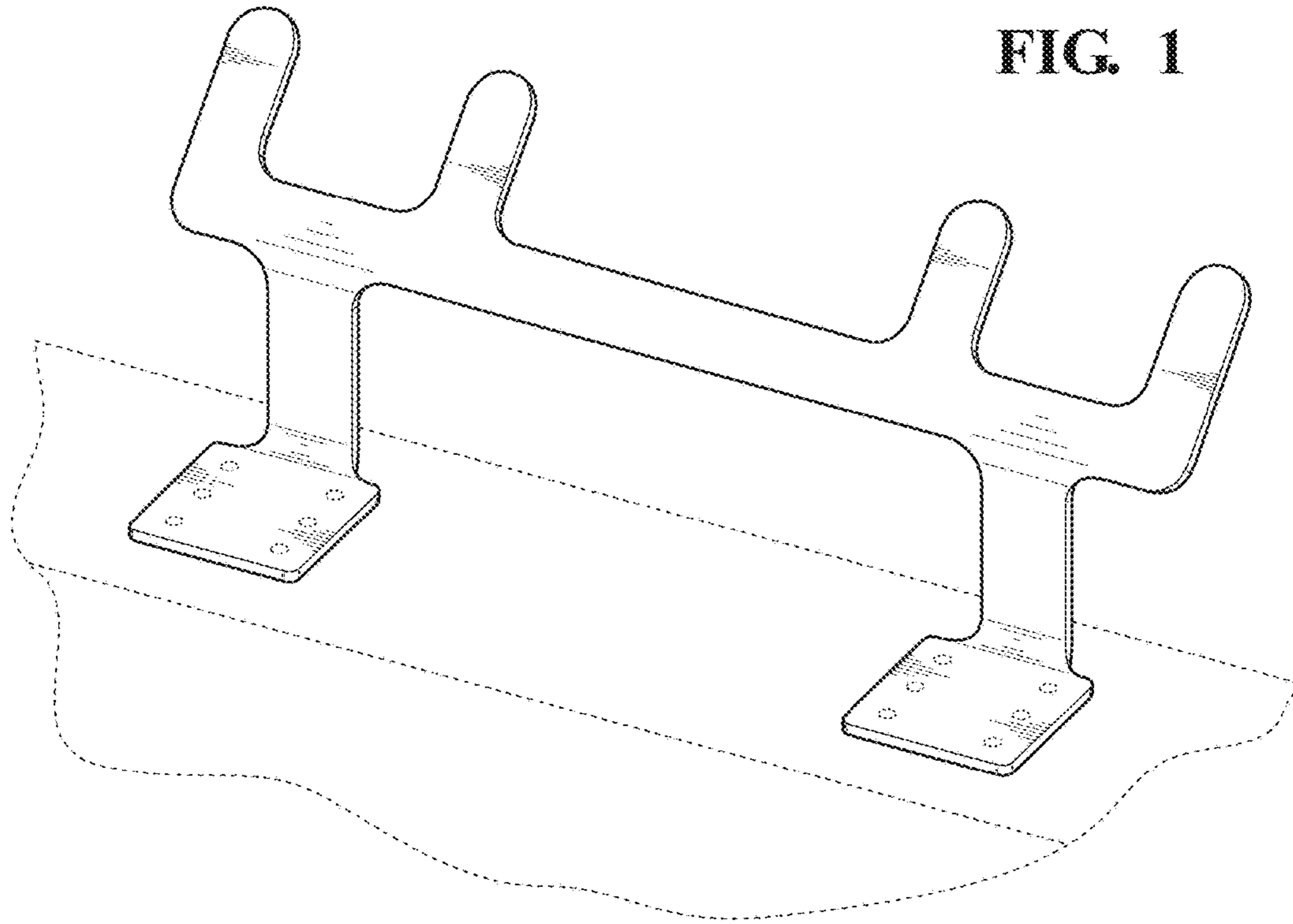
The ornamental design for a ladder rest and restraining device, as shown and described.

DESCRIPTION

FIG. 1 is a perspective view of a ladder rest and restraining device showing my new design; FIG. 2 is second perspective view thereof; FIG. 3 is a third perspective view thereof; FIG. 4 is a fourth perspective view thereof; FIG. 5 is a top plan view thereof; FIG. 6 is a bottom plan view thereof; FIG. 7 is a rear elevation view thereof; FIG. 8 is a right side elevation view thereof; FIG. 9 is a left side elevation view thereof; and, FIG. 10 is a front elevation view thereof. The broken lines shown in the drawings are included for the purpose of illustrating environmental structure and form no part of the claimed design.

1 Claim, 4 Drawing Sheets





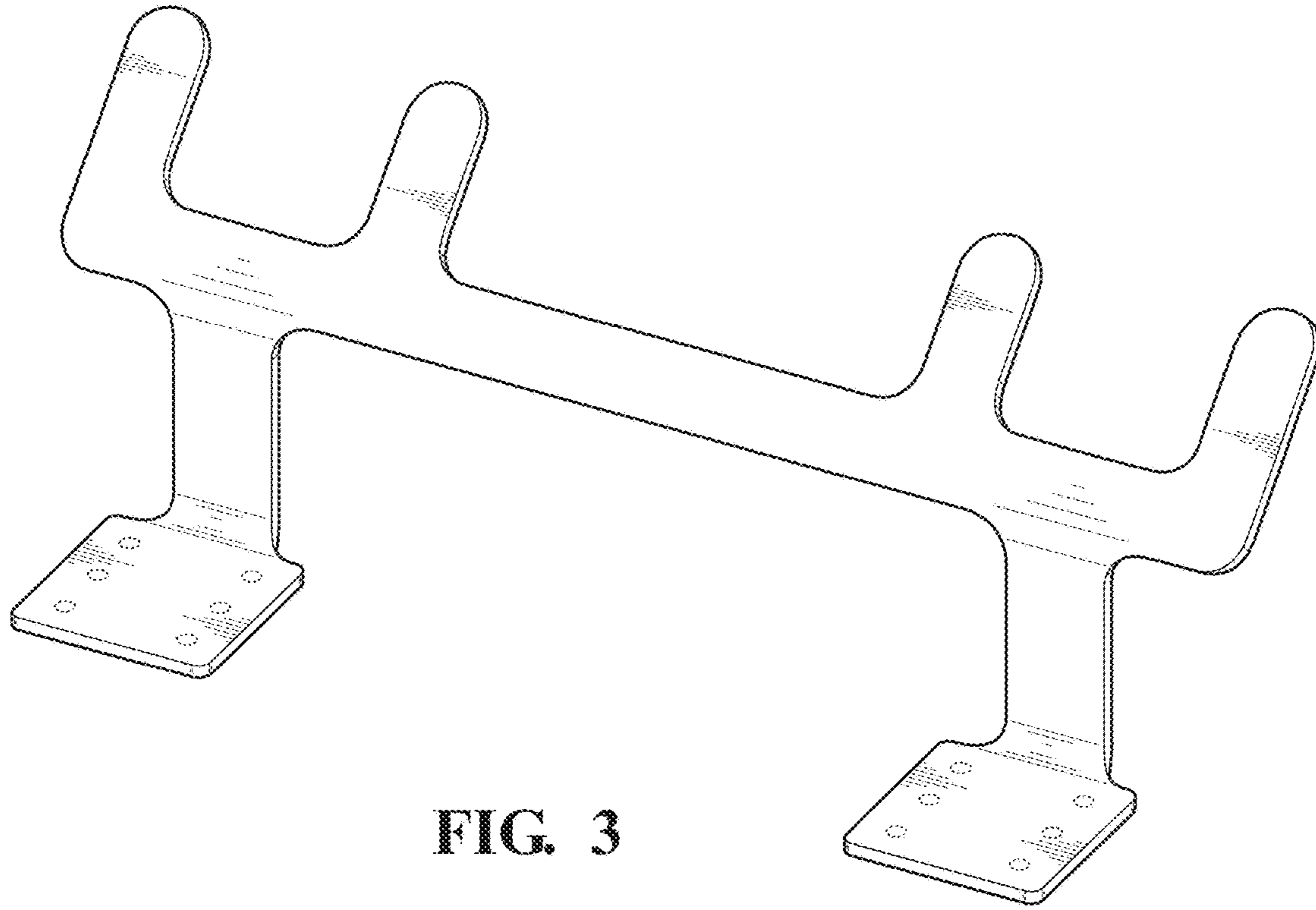


FIG. 3

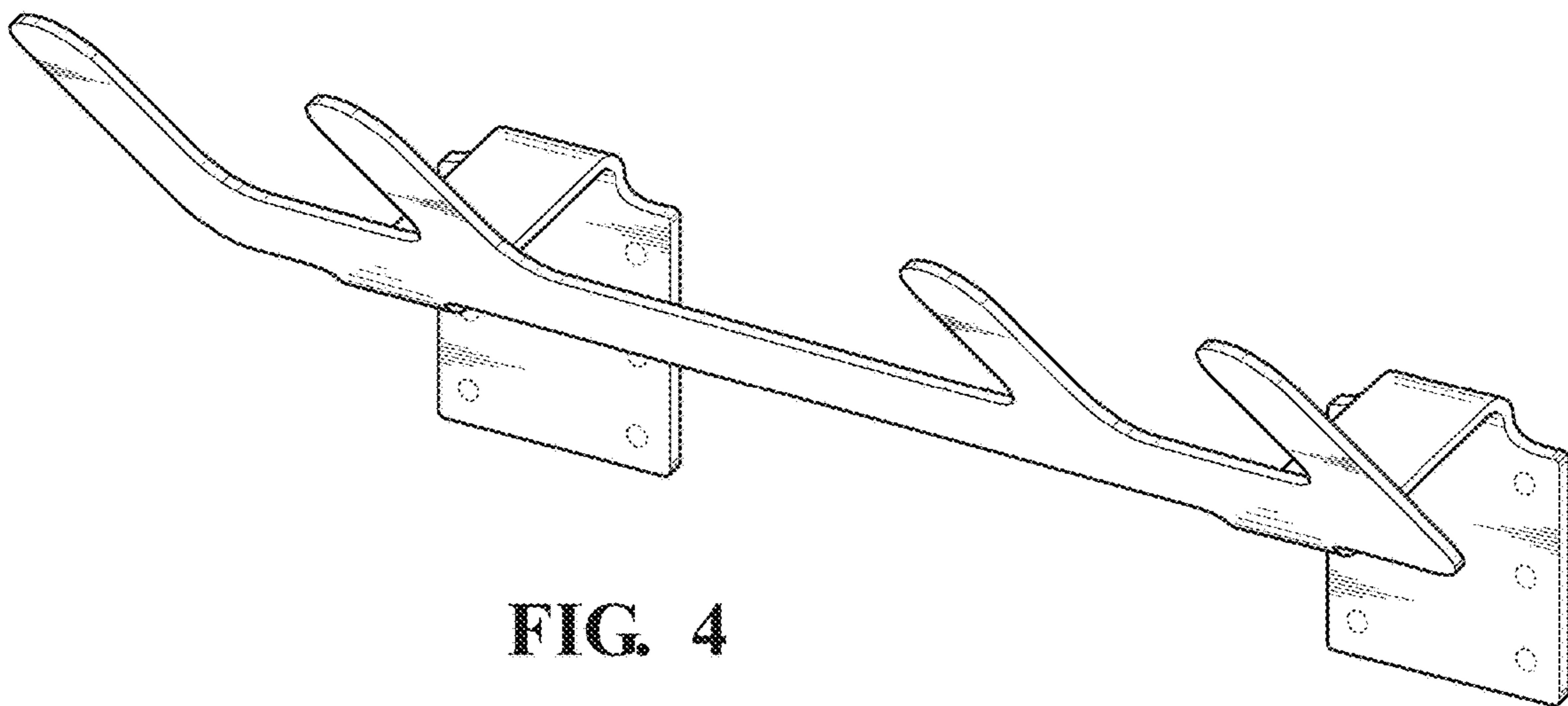


FIG. 4

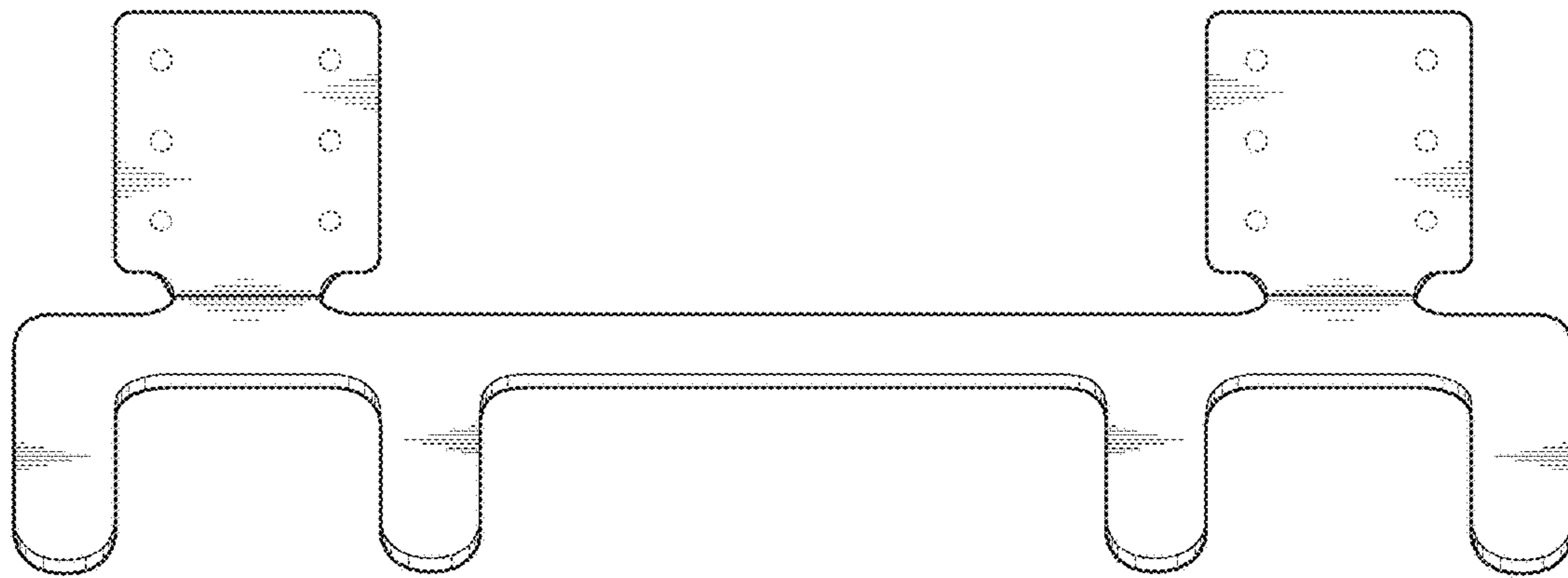


FIG. 5

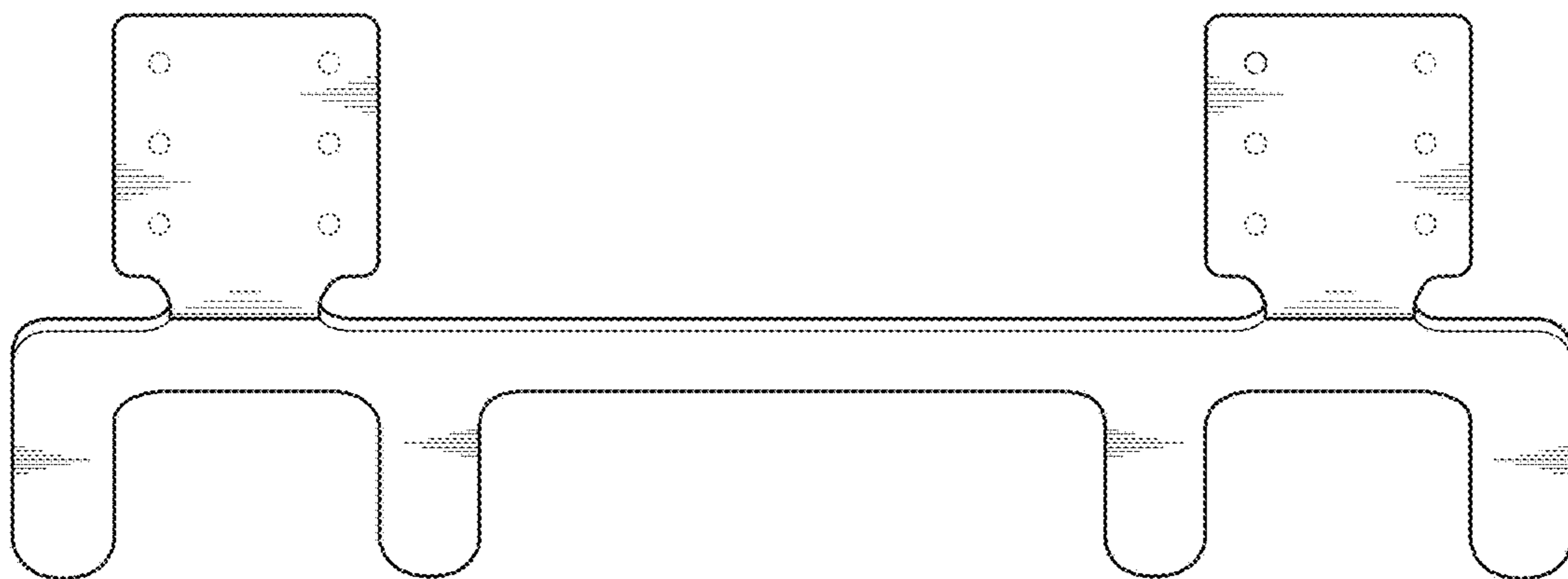


FIG. 6

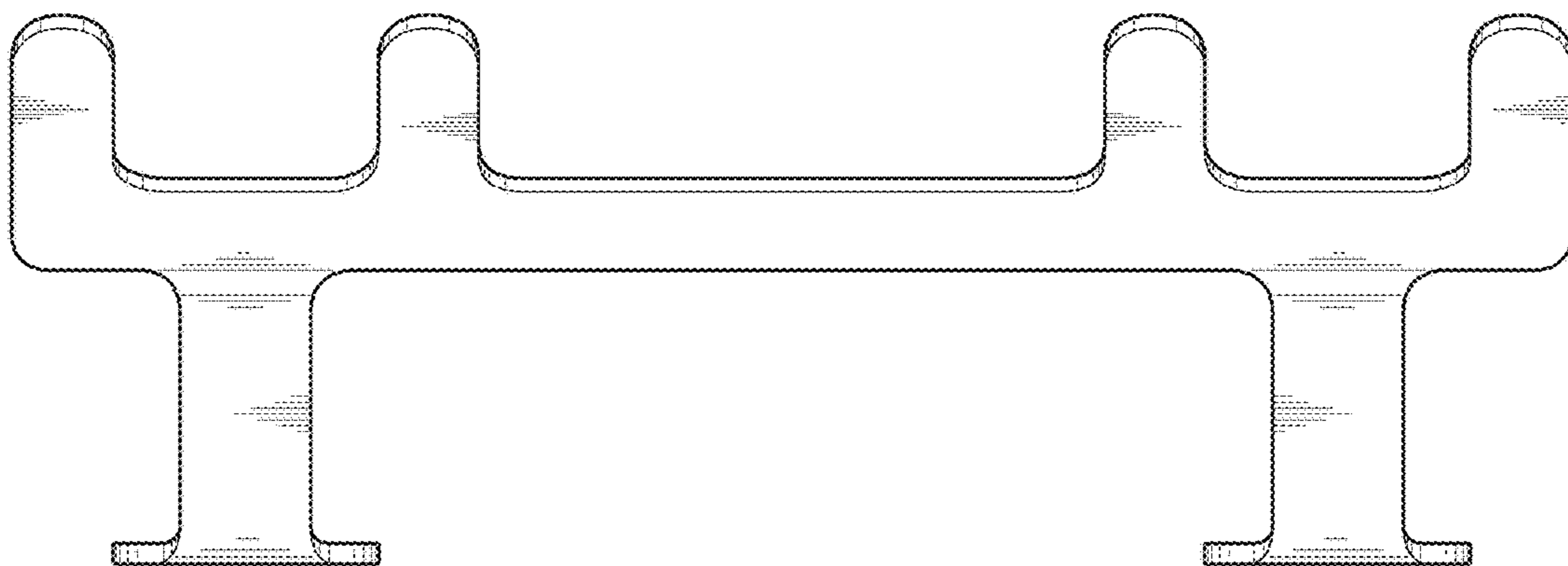


FIG. 7

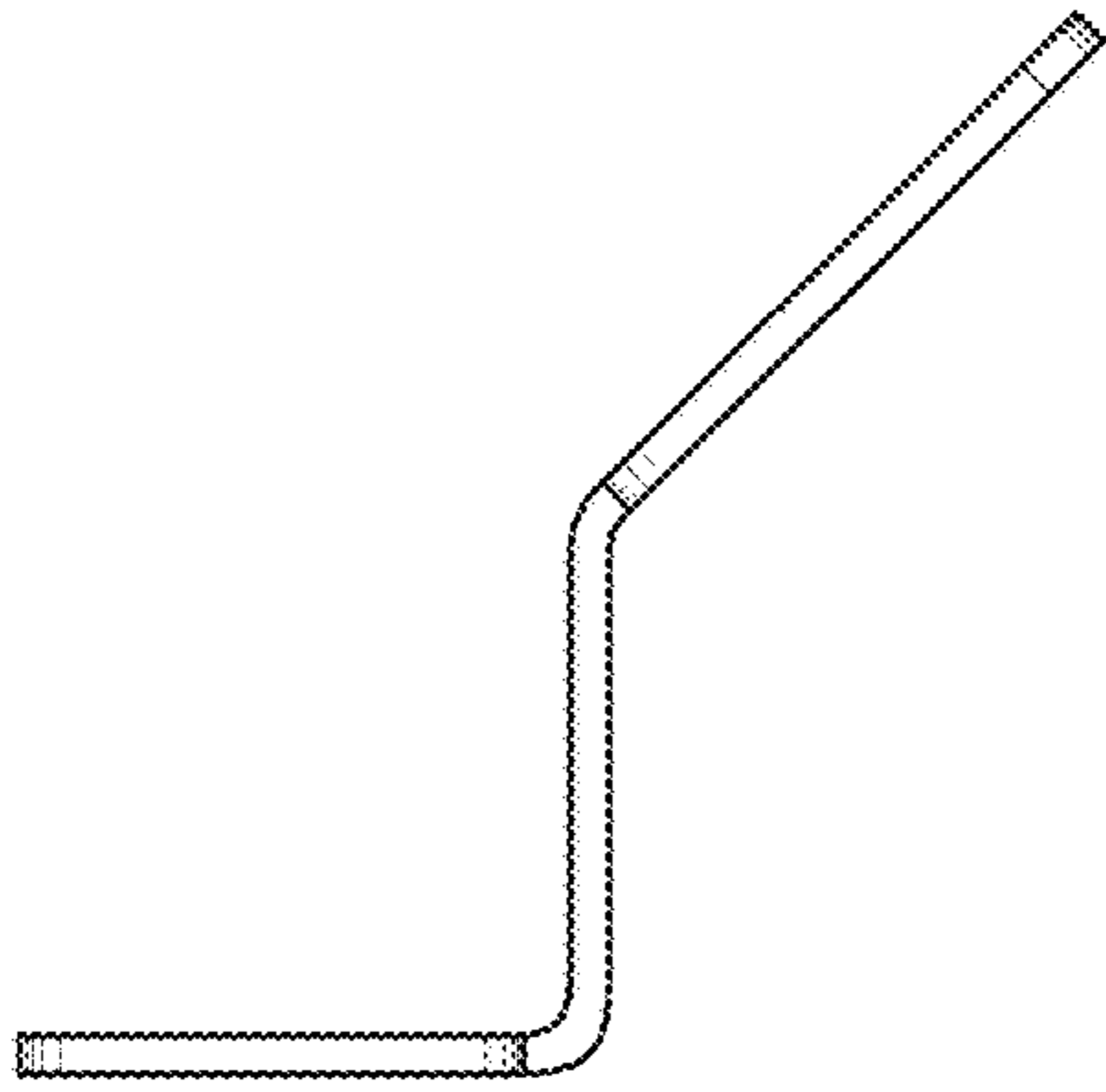


FIG. 8

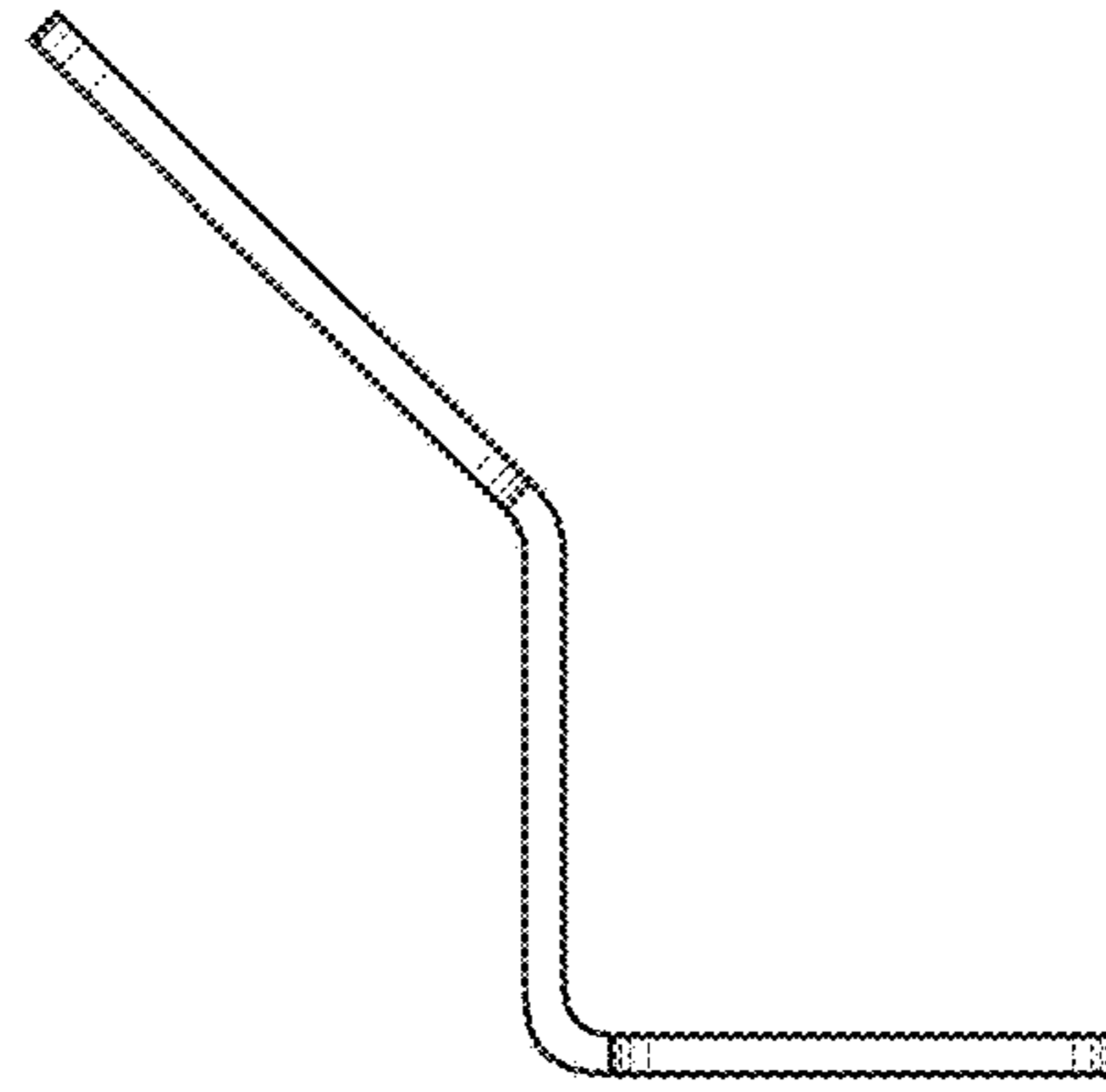


FIG. 9

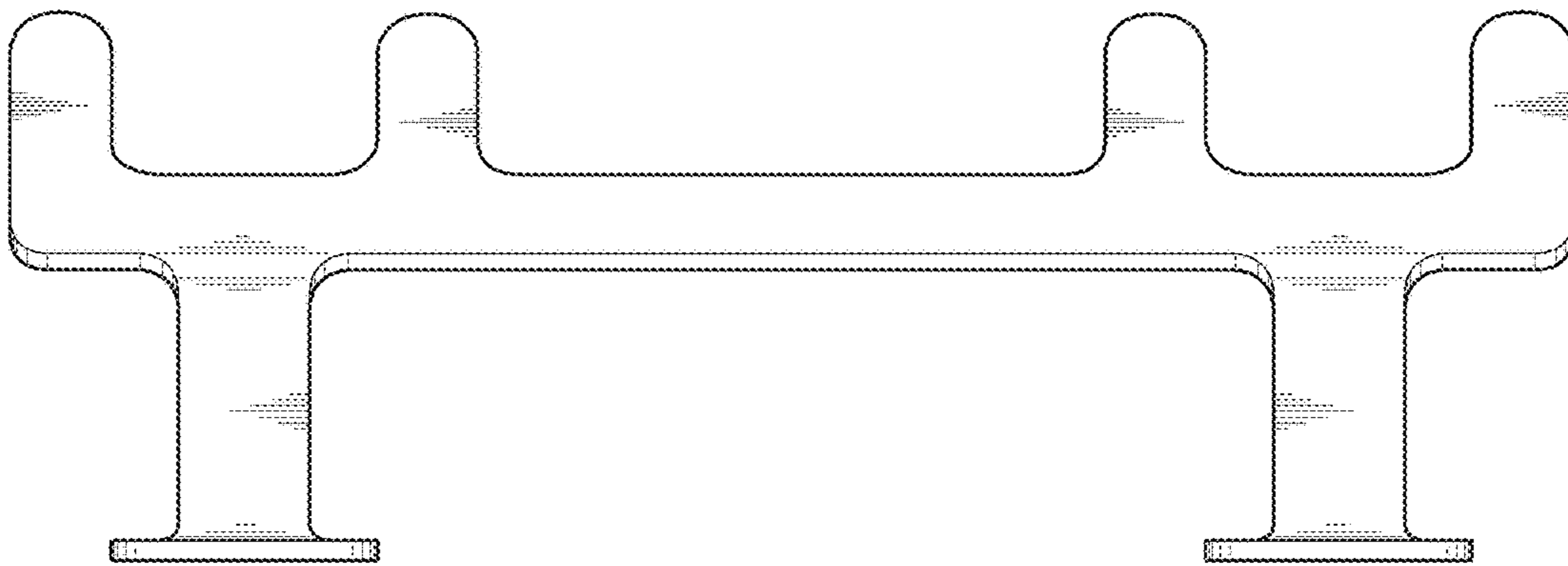


FIG. 10