



US00D810959S

(12) **United States Design Patent**  
**Langhoff et al.**

(10) **Patent No.:** **US D810,959 S**  
(45) **Date of Patent:** **\*\* Feb. 20, 2018**

(54) **CUVETTE TRAY**

G01N 35/025; G01N 35/1083; G01N 21/03; G01N 21/0303; G01N 21/0332

See application file for complete search history.

(71) Applicant: **BD Kiestra B.V.**, Drachten (NL)

(56) **References Cited**

(72) Inventors: **Brian Reuben Langhoff**, Julian, NC (US); **William Alan Fox**, Lake Wylie, SC (US); **Kerry Lynn Smith**, York, PA (US); **Stefan Campbell Dehaseth**, Baltimore, MD (US)

U.S. PATENT DOCUMENTS

3,627,432 A 12/1971 Bergmann  
3,759,374 A \* 9/1973 Helger ..... G01N 21/03  
206/431  
3,869,214 A 3/1975 Egli et al.  
D246,466 S \* 11/1977 Attree ..... D24/226

(Continued)

(73) Assignee: **BD Kiestra B.V.** (NL)

FOREIGN PATENT DOCUMENTS

(\*\*) Term: **15 Years**

EP 0661532 A2 7/1995  
EP 1909094 A1 4/2008

(Continued)

(21) Appl. No.: **29/540,911**

OTHER PUBLICATIONS

(22) Filed: **Sep. 29, 2015**

International Search Report for Application No. PCT/IB2015/002072 dated Apr. 20, 2016.

(Continued)

(51) **LOC (11) Cl.** ..... **24-02**

(52) **U.S. Cl.**

USPC ..... **D24/230**

(58) **Field of Classification Search**

USPC ..... 206/557-565, 431, 438, 363, 371;  
356/244, 246, 929, 930; 422/552-554,  
422/549, 400, 430, 547, 63-67, 82.09,  
422/258; 435/285.2, 287.6, 303.1,  
435/164-165; 73/304 R; D24/216,  
D24/223-230; D3/203.1, 203.3;  
D7/553.1, 553.7, 554.3; D9/760

CPC ..... A61B 5/150343; B01D 9/00; B01L 3/06;  
B01L 3/502; B01L 3/5025; B01L 3/508;  
B01L 3/5021; B01L 3/5082; B01L  
3/5085; B01L 3/50855; B01L 3/545;  
B01L 3/5453; B01L 9/06; B65D 1/34;  
B65D 1/36; G01N 21/07; G01N 21/76;  
G01N 21/253; G01N 33/80; G01N 35/04;

*Primary Examiner* — Ian Simmons  
*Assistant Examiner* — Mark Cavanna  
(74) *Attorney, Agent, or Firm* — Lerner, David,  
Littenberg, Krumholz & Mentlik, LLP

(57) **CLAIM**

The ornamental design for a cuvette tray, as shown and described.

**DESCRIPTION**

FIG. 1 is a front perspective view of a cuvette tray showing our new design;  
FIG. 2 is a bottom perspective view thereof;  
FIG. 3 is a front elevation view thereof;  
FIG. 4 is a rear elevation view thereof;  
FIG. 5 is a left side elevation view thereof;  
FIG. 6 is a right side elevation view thereof;

(Continued)

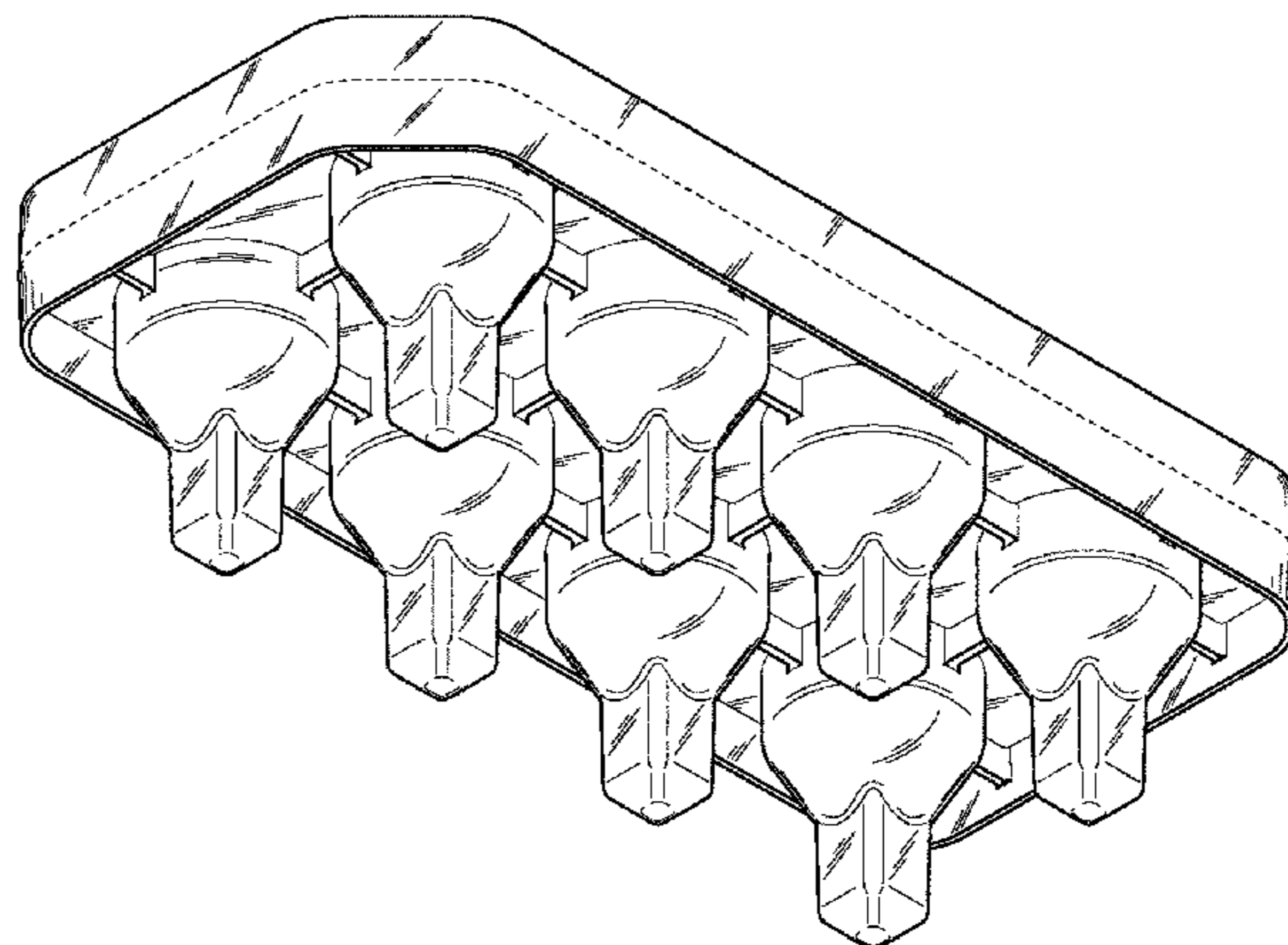
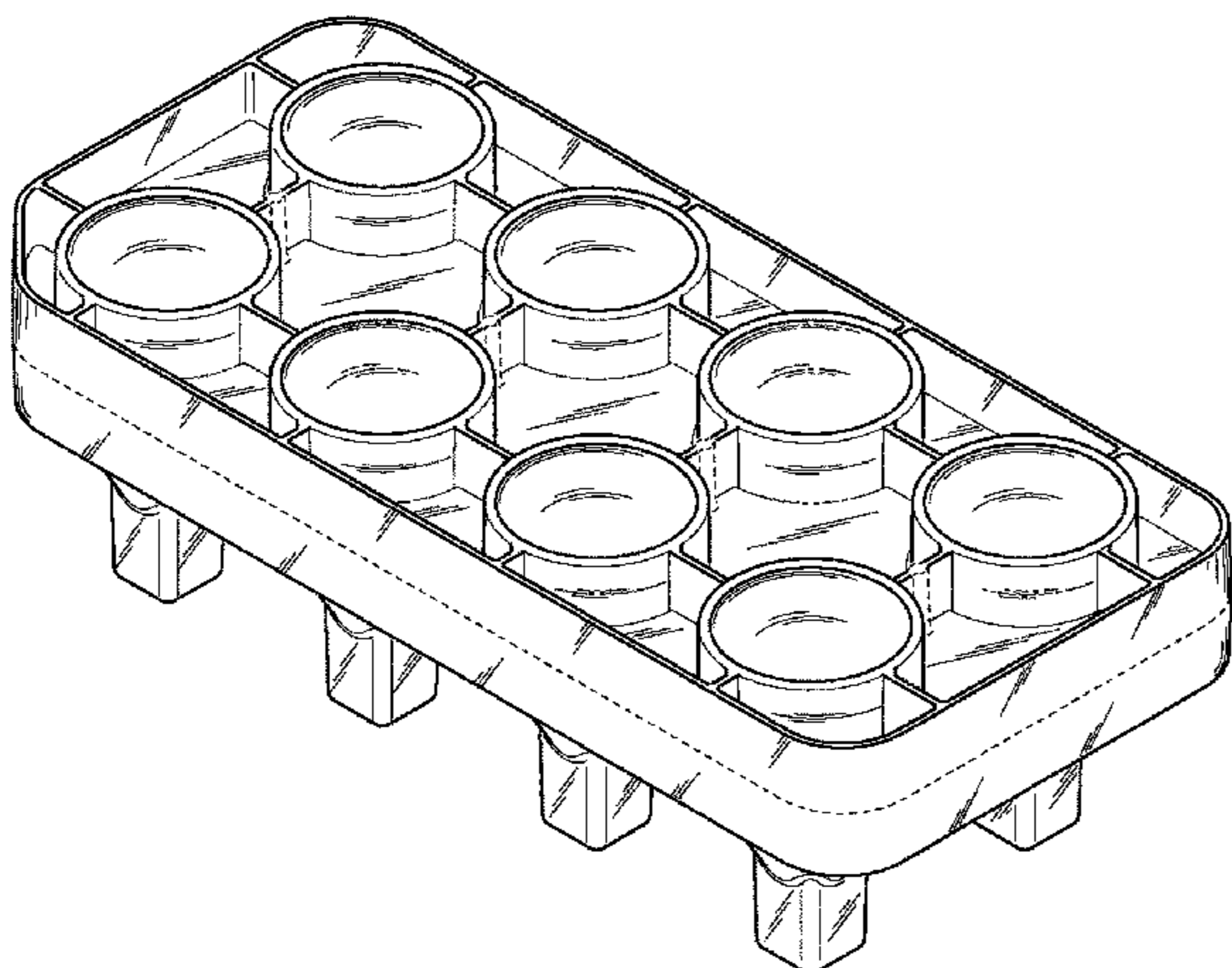


FIG. 7 is a top plan view thereof; and,  
 FIG. 8 is a bottom plan view thereof.  
 The broken lines illustrate unclaimed portions of the cuvette  
 tray and form no part of the claimed design.

**1 Claim, 4 Drawing Sheets**

(56)

**References Cited**

U.S. PATENT DOCUMENTS

4,123,173 A \* 10/1978 Bullock ..... G01N 21/07  
 422/547  
 4,126,418 A \* 11/1978 Krasnow ..... G01N 21/253  
 356/246  
 4,195,060 A \* 3/1980 Terk ..... B01L 3/5025  
 356/246  
 4,198,484 A \* 4/1980 Reichler ..... G01N 21/03  
 435/287.6  
 D257,175 S \* 9/1980 Terk ..... D24/226  
 4,226,531 A \* 10/1980 Tiffany ..... G01N 21/07  
 422/258  
 4,251,159 A \* 2/1981 White ..... G01N 21/03  
 422/547  
 D260,428 S \* 8/1981 Fekete ..... D24/226  
 4,332,471 A 6/1982 Gross  
 D266,588 S \* 10/1982 Mellars ..... 422/67  
 4,373,812 A \* 2/1983 Stein ..... G01N 21/07  
 356/246  
 D271,993 S \* 12/1983 Swartz ..... D24/226  
 D274,553 S \* 7/1984 Perry ..... D24/226  
 D277,891 S \* 3/1985 Uffenheimer ..... D24/226  
 D280,663 S \* 9/1985 Albon ..... D24/229  
 4,560,269 A 12/1985 Baldszun et al.  
 D283,050 S \* 3/1986 Godsey ..... D24/226  
 D283,162 S \* 3/1986 Godsey ..... D24/230  
 D283,728 S 5/1986 Aihara  
 4,639,135 A \* 1/1987 Borer ..... G01N 21/03  
 356/246  
 4,685,880 A \* 8/1987 Meguro ..... B29D 29/00  
 422/547  
 D299,955 S \* 2/1989 Kendrick, Sr. .... D24/226  
 4,824,791 A \* 4/1989 Ekholm ..... G01N 21/0332  
 356/246  
 D303,837 S \* 10/1989 Albert ..... D24/226  
 5,073,346 A \* 12/1991 Partanen ..... G01N 35/1083  
 422/549  
 5,096,672 A \* 3/1992 Tervamaki ..... B01L 3/5085  
 206/558  
 5,098,661 A 3/1992 Froehlich et al.  
 5,130,105 A \* 7/1992 Carter ..... B01L 3/06  
 422/552  
 D330,428 S 10/1992 Lewis et al.  
 D332,834 S \* 1/1993 Hanna ..... D24/223  
 D338,965 S \* 8/1993 Glanz ..... D24/226  
 D343,905 S 2/1994 Nagata et al.  
 D344,138 S 2/1994 Nagata  
 5,292,484 A \* 3/1994 Kelln ..... B01L 3/5021  
 356/246

5,331,177 A 7/1994 Kubisiak et al.  
 5,437,841 A 8/1995 Balmer  
 5,462,715 A \* 10/1995 Koch ..... G01N 35/04  
 422/549  
 5,470,536 A \* 11/1995 Jarvimaki ..... B01L 3/5085  
 206/558  
 5,658,532 A 8/1997 Kurosaki et al.  
 D401,700 S 11/1998 Gray et al.  
 6,117,391 A 9/2000 Mootz et al.  
 D437,419 S 2/2001 Kraack et al.  
 6,719,203 B2 4/2004 Hirono et al.  
 D492,419 S \* 6/2004 Farina ..... D24/224  
 7,138,091 B2 11/2006 Lee et al.  
 D560,816 S 1/2008 Talmer et al.  
 D596,312 S \* 7/2009 Giraud ..... D24/230  
 D619,728 S 7/2010 Bare et al.  
 7,787,116 B2 8/2010 Yamamoto et al.  
 D624,659 S \* 9/2010 Nuotio ..... D24/224  
 7,939,036 B2 \* 5/2011 Burkhardt ..... B01L 9/06  
 422/64  
 7,943,100 B2 5/2011 Rousseau  
 D639,447 S \* 6/2011 Karpiloff ..... D24/230  
 7,959,878 B2 \* 6/2011 Rousseau ..... B01L 3/50855  
 422/554  
 D652,148 S 1/2012 Matsuura  
 8,313,713 B2 \* 11/2012 Jacobs ..... G01N 21/0303  
 422/65  
 D675,338 S \* 1/2013 Suzuki ..... D24/229  
 8,493,559 B2 7/2013 Harvard  
 D687,566 S 8/2013 Trump  
 D687,965 S 8/2013 Trump  
 D688,385 S 8/2013 Trump  
 D709,624 S 7/2014 Baum et al.  
 8,920,754 B2 12/2014 Kim et al.  
 9,250,256 B2 \* 2/2016 Lukhaub ..... G01N 35/025  
 9,341,640 B2 5/2016 Shintani et al.  
 D764,679 S 8/2016 Franciskovich et al.  
 9,612,192 B2 \* 4/2017 Drechsler ..... G01N 21/03  
 2002/0085959 A1 7/2002 Carey et al.  
 2007/0134135 A1 \* 6/2007 Li ..... B01L 3/5085  
 422/400  
 2009/0009757 A1 1/2009 Mototsu et al.  
 2012/0156796 A1 6/2012 Drechsler et al.  
 2014/0050619 A1 2/2014 Meller  
 2014/0090465 A1 \* 4/2014 Behnk ..... B01L 3/508  
 73/304 R  
 2014/0146313 A1 5/2014 Trainoff et al.  
 2015/0036121 A1 2/2015 Kurowski et al.

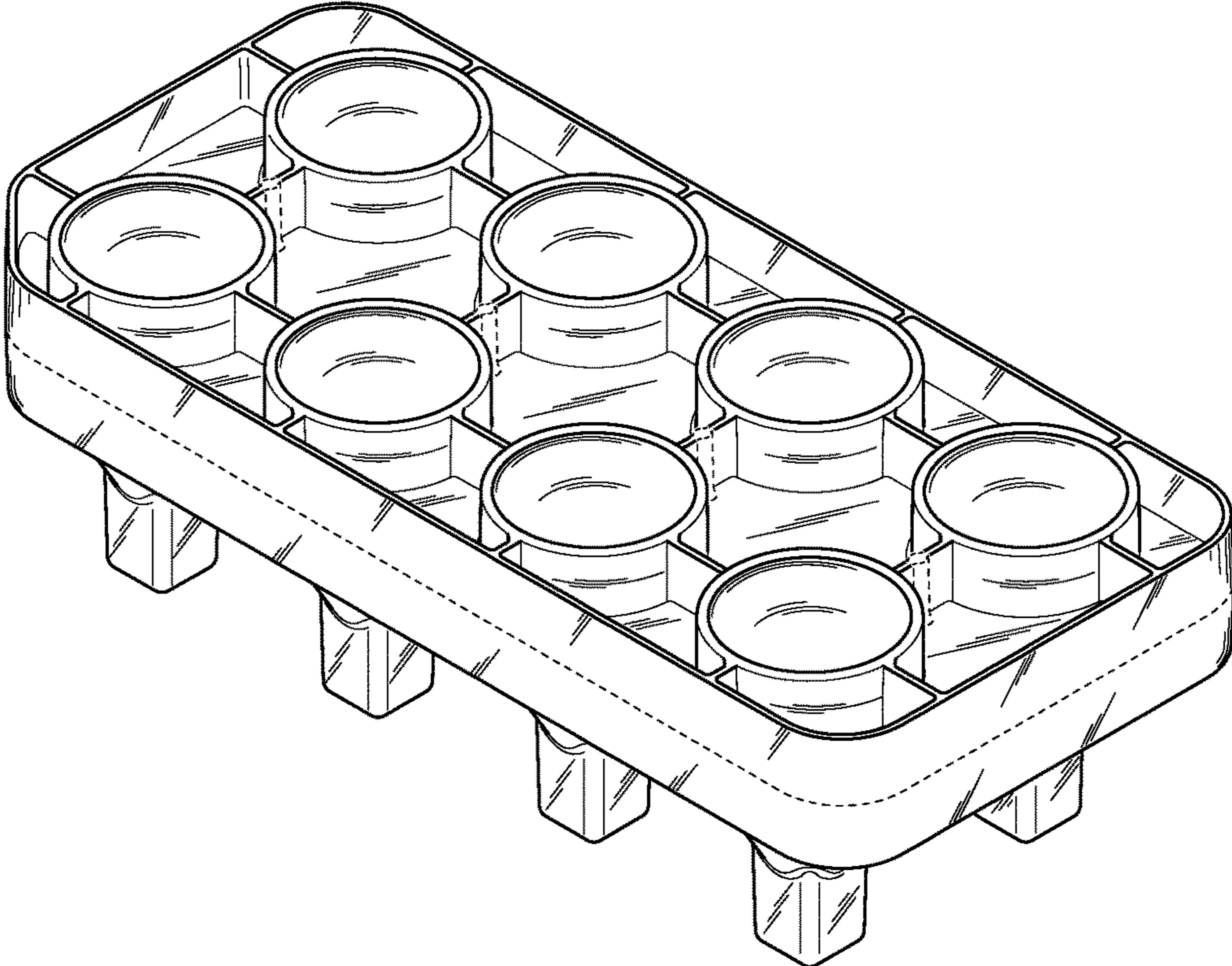
FOREIGN PATENT DOCUMENTS

EP 2466291 A1 6/2012  
 WO 2013004674 A1 1/2013

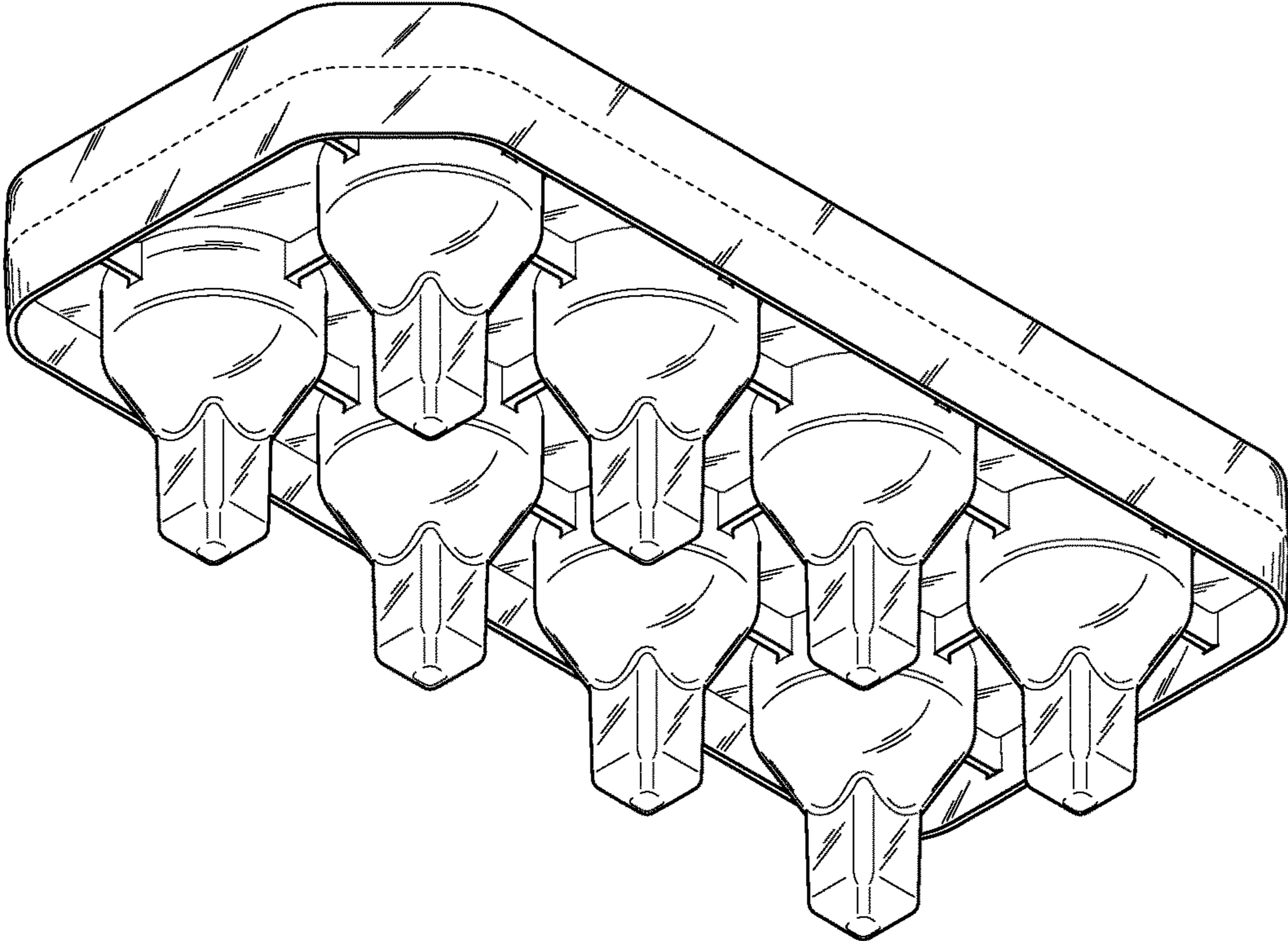
OTHER PUBLICATIONS

International Search Report and Written Opinion for Application  
 No. PCT/IB2015/002072 dated Apr. 20, 2016.

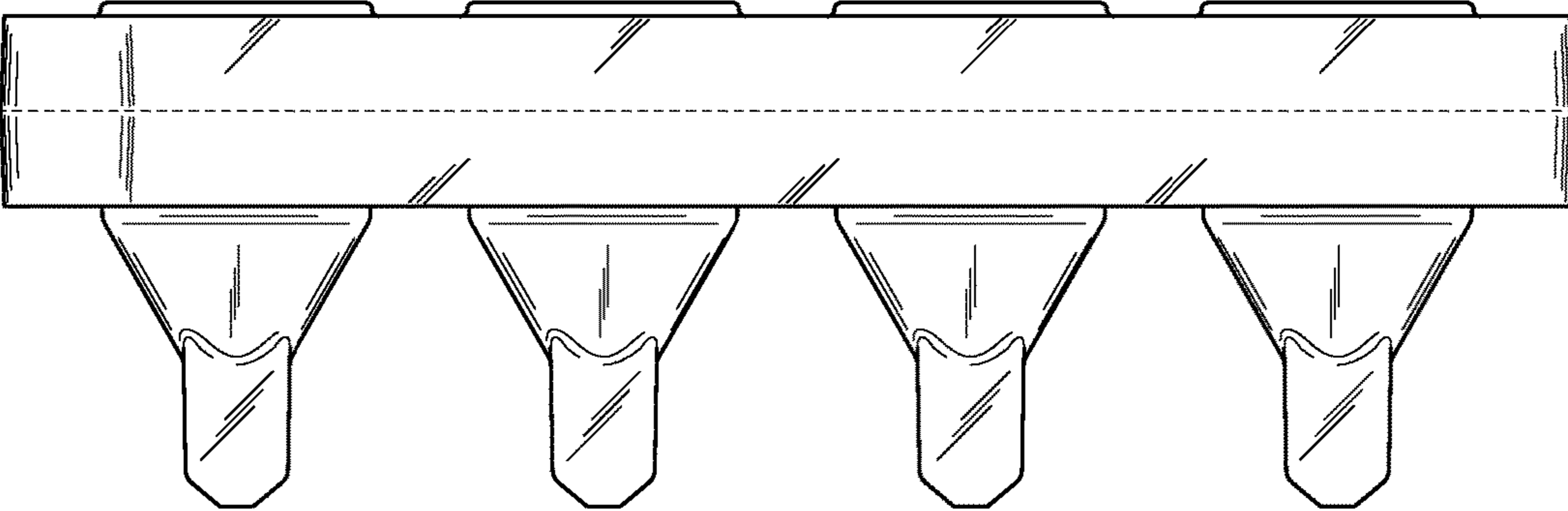
\* cited by examiner



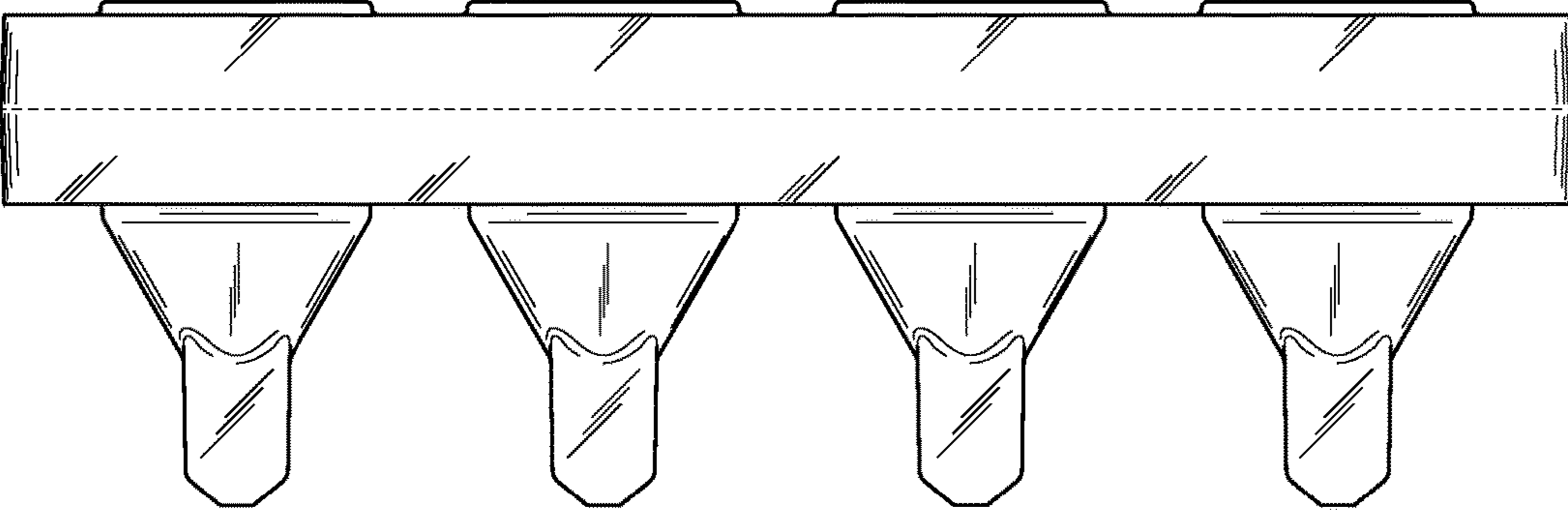
**FIG. 1**



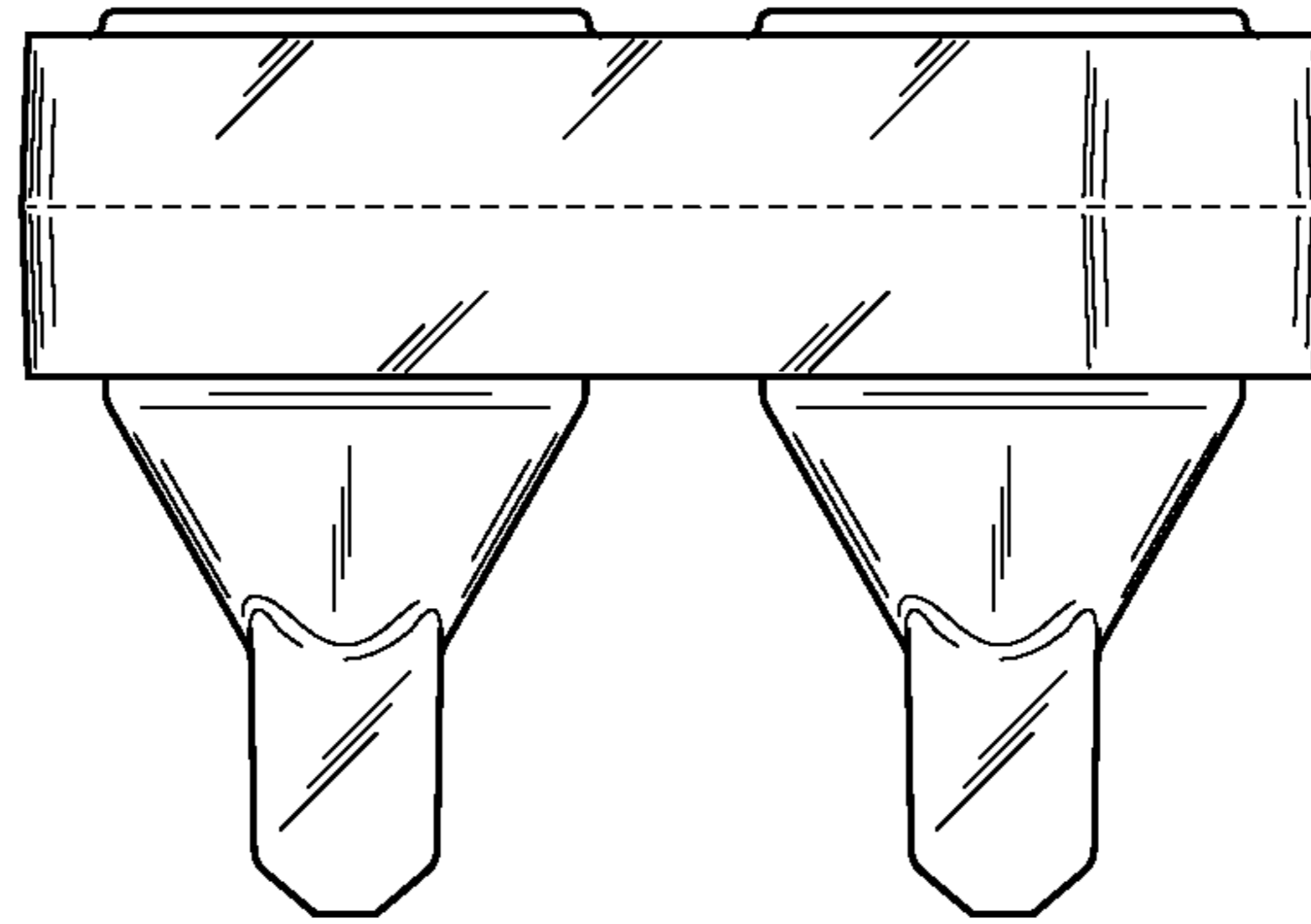
**FIG. 2**



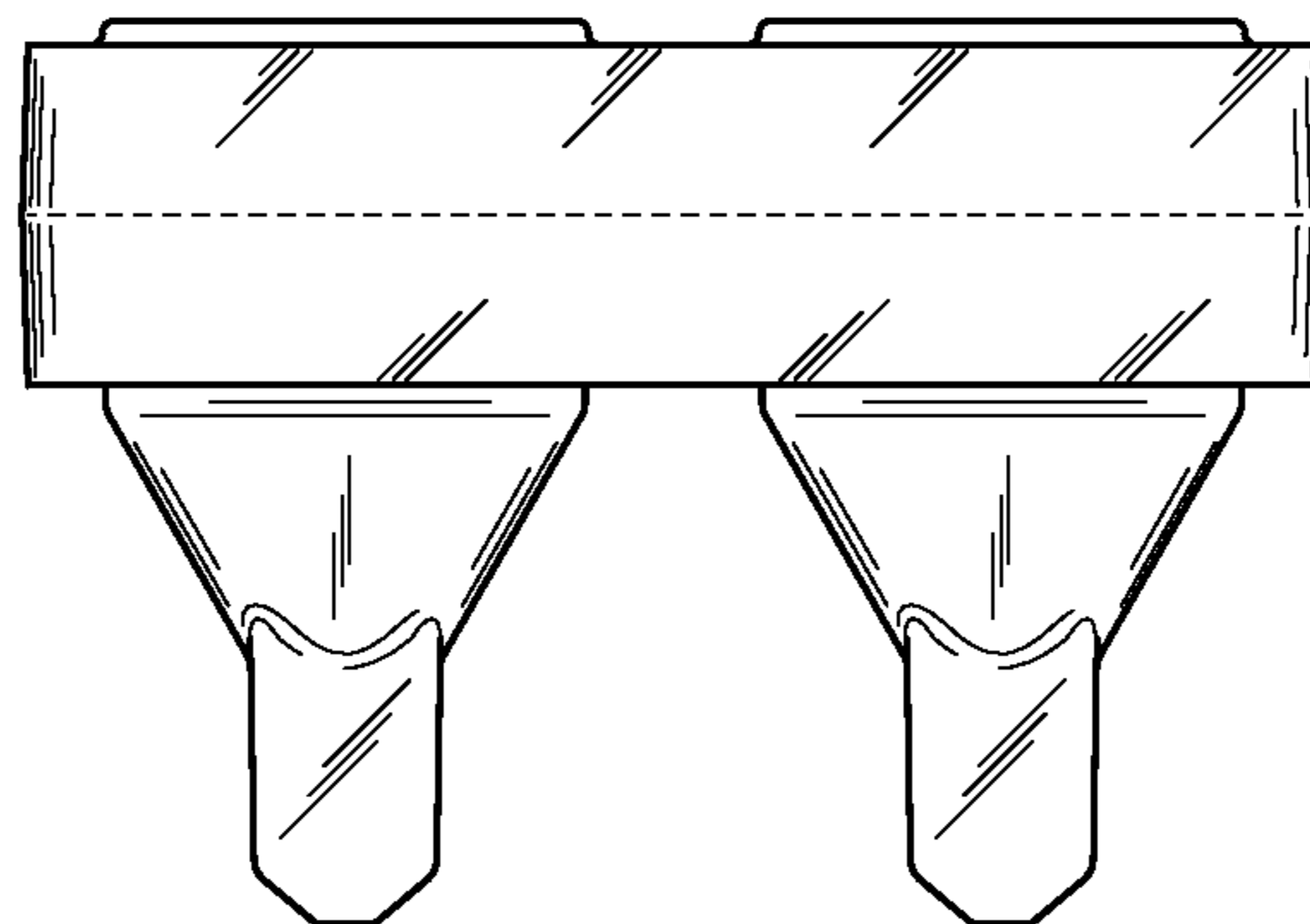
**FIG. 3**



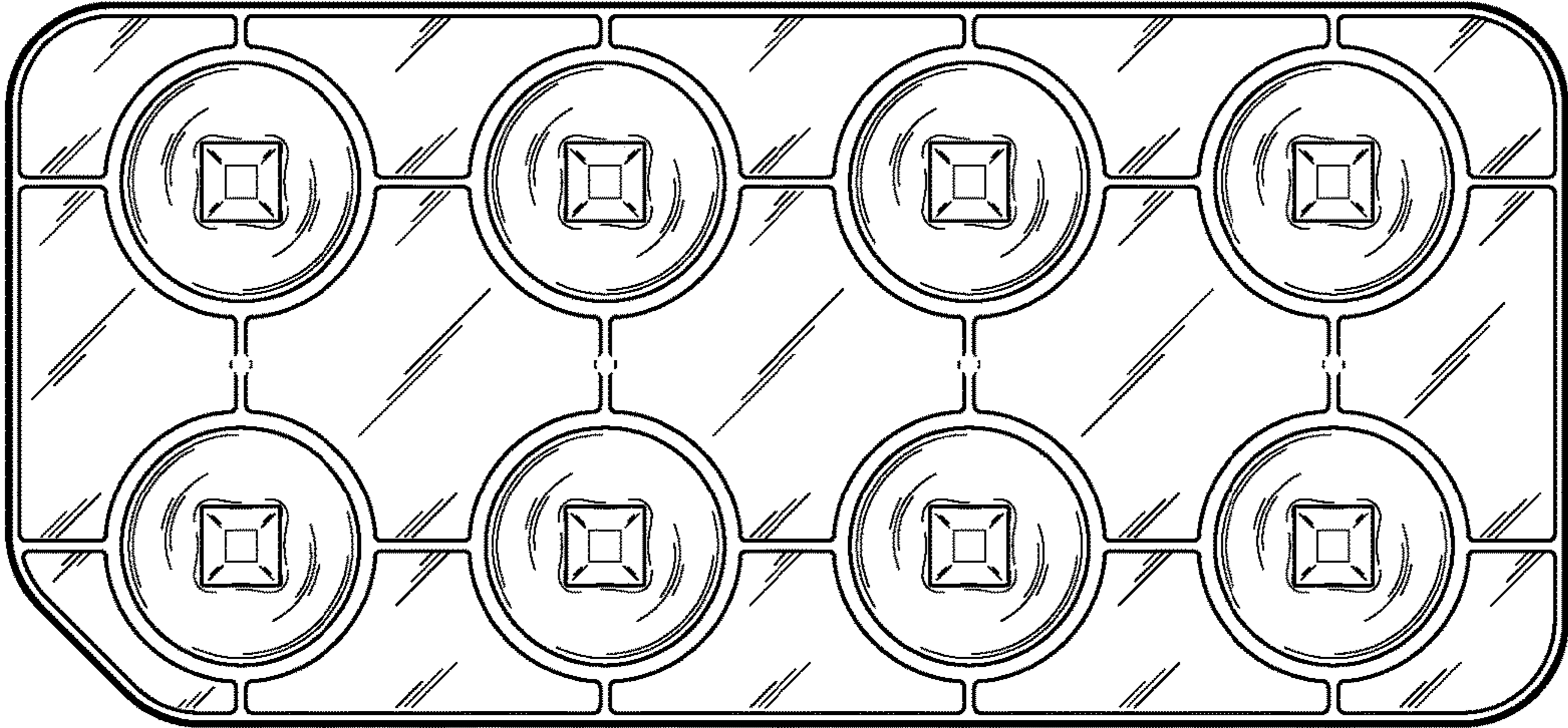
**FIG. 4**



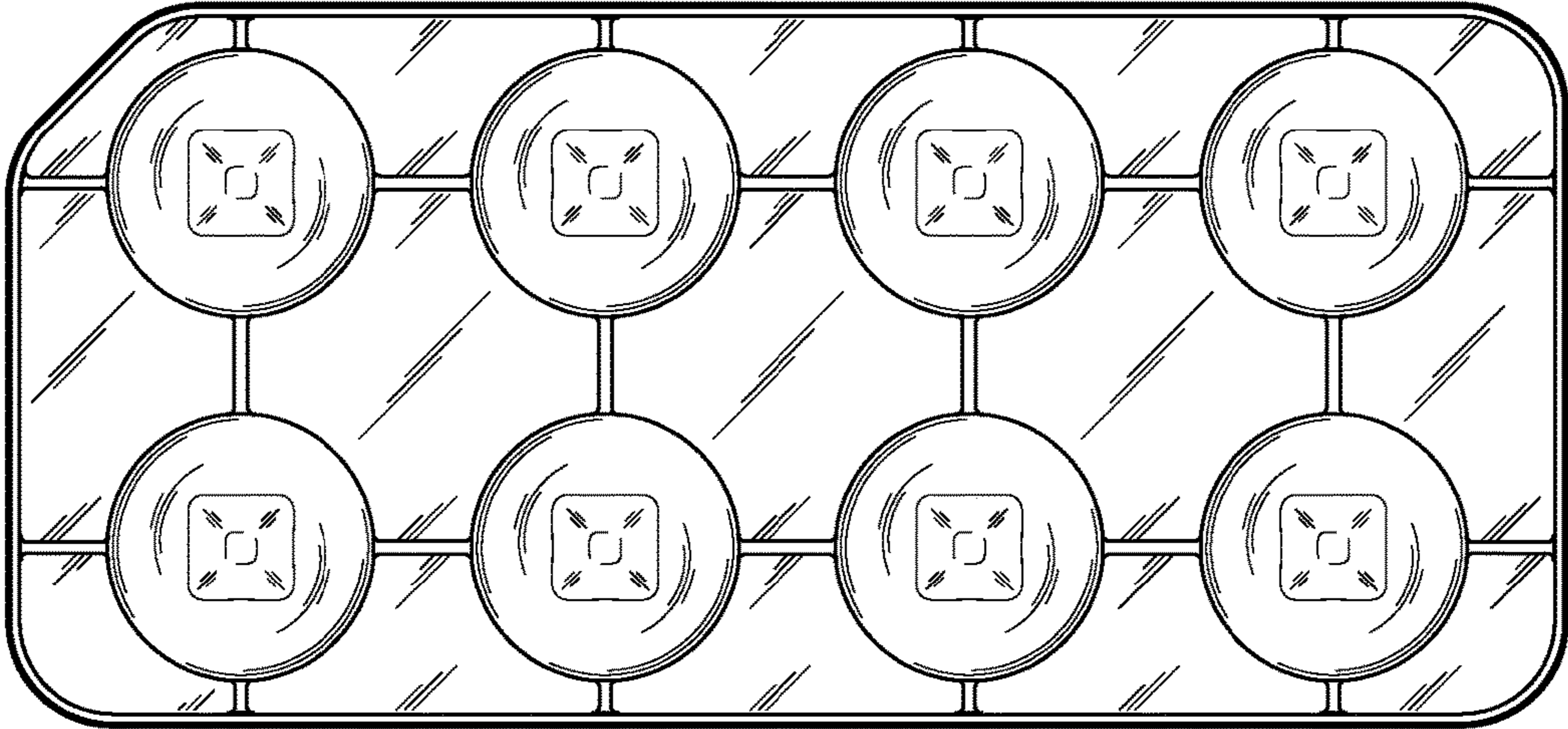
**FIG. 5**



**FIG. 6**



**FIG. 7**



**FIG. 8**