



US00D810958S

(12) **United States Design Patent** (10) **Patent No.:** **US D810,958 S**
Lacy et al. (45) **Date of Patent:** **** Feb. 20, 2018**

(54) **RACK FOR MEDICAL EQUIPMENT**

7,356,382 B2 4/2008 Vanderveen
7,884,735 B2 2/2011 Newkirk
7,963,797 B2 6/2011 Knappe

(71) Applicant: **Smiths Medical ASD, Inc.**, Plymouth, MN (US)

(Continued)

(72) Inventors: **Christopher Lacy**, Arden Hills, MN (US); **Grant Adams**, Anoka, MN (US); **Kevin Krautbauer**, Saint Paul, MN (US)

FOREIGN PATENT DOCUMENTS

CN 303741234 * 7/2016
EP 0477551 B1 4/1992

(Continued)

(73) Assignee: **Smiths Medical ASD, Inc.**, Plymouth, MN (US)

Primary Examiner — Susan Bennett Hattan

Assistant Examiner — Leanne Was-Englehart

(**) Term: **15 Years**

(74) *Attorney, Agent, or Firm* — Patterson Thuent Pedersen, P.A.

(21) Appl. No.: **29/583,361**

(57) **CLAIM**

We claim the ornamental design for a rack for medical equipment, as shown and described.

(22) Filed: **Nov. 4, 2016**

DESCRIPTION

(51) **LOC (11) Cl.** **24-02**

(52) **U.S. Cl.**
USPC **D24/227**; D24/128

(58) **Field of Classification Search**
USPC D24/108, 111, 127–129, 227–229, 231, D24/234
CPC . A61M 5/1413; H05K 5/0021; H05K 7/1435; F16M 13/02; F16M 11/24; F16M 2200/027; A61B 19/0256; G06F 19/3412; G06F 19/3468

See application file for complete search history.

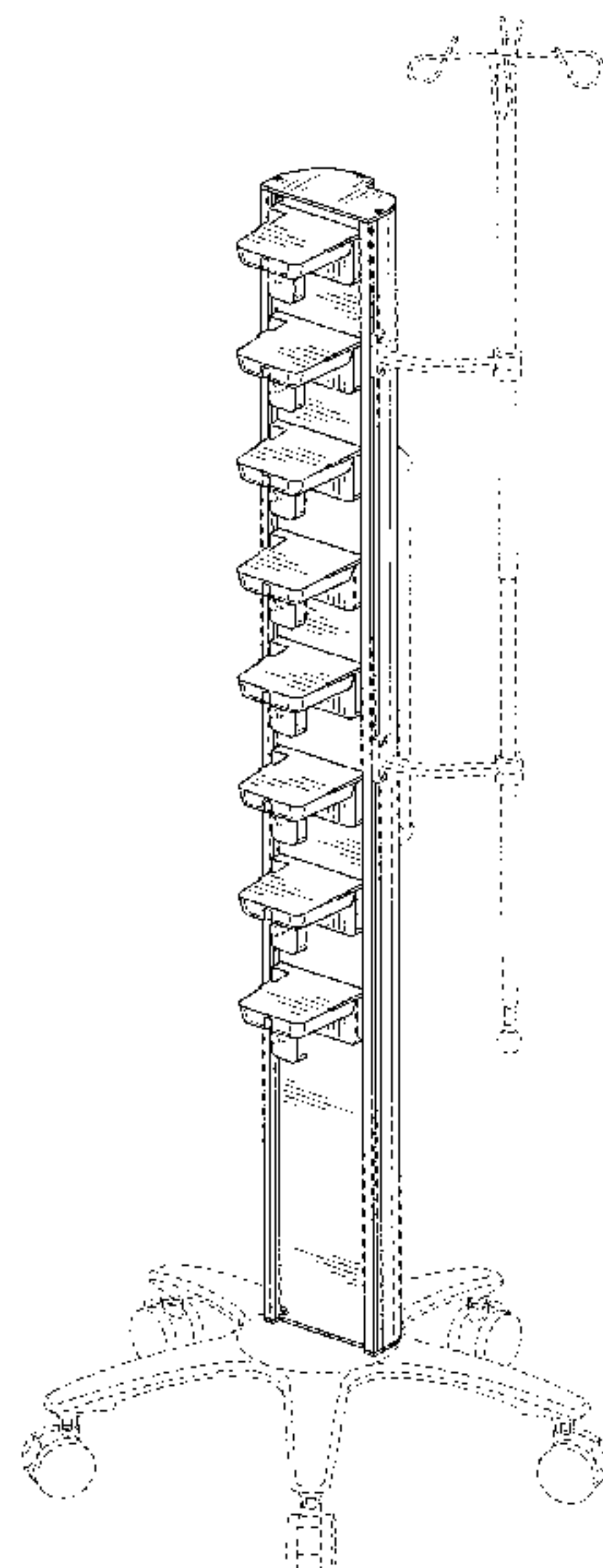
FIG. 1 is a perspective view of a rack for medical equipment. FIG. 2 is a front elevation view of the rack for medical equipment. FIG. 3 is a rear elevation view of the rack for medical equipment. FIG. 4 is a top plan view of the rack for medical equipment. FIG. 5 is a bottom plan view of the rack for medical equipment. FIG. 6 is a side elevation view of the rack for medical equipment. FIG. 7 is another side elevation view of the rack for medical equipment, from the side opposite that in FIG. 6. FIG. 8 is another perspective view of the rack for medical equipment; and, FIG. 9 is another perspective view of the rack for medical equipment. Items shown in broken lines depict environmental subject matter and portions of the rack for medical equipment that form no part of the claimed invention.

(56) **References Cited**

U.S. PATENT DOCUMENTS

5,452,807 A * 9/1995 Foster A61G 13/107 211/168
5,954,527 A 9/1999 Jhuboo et al.
6,407,335 B1 * 6/2002 Franklin-Lees A61M 5/1413 174/50
6,593,528 B2 6/2003 Franklin-Lees et al.
7,211,726 B2 5/2007 Bally et al.
7,227,081 B2 6/2007 Bally et al.

1 Claim, 8 Drawing Sheets



(56)

References Cited

U.S. PATENT DOCUMENTS

8,388,598 B2 3/2013 Steinkogler
8,662,458 B2 3/2014 Henault et al.
D791,937 S * 7/2017 Schoenig D24/128
9,789,247 B2 * 10/2017 Kamen A61M 5/1408
2002/0134570 A1 * 9/2002 Franklin-Lees A61M 5/1413
174/58
2015/0041419 A1 2/2015 Hasegawa
2017/0277851 A1 * 9/2017 Adams G06F 19/3412

FOREIGN PATENT DOCUMENTS

JP 4939707 B2 5/2012
JP 5180479 B2 4/2013
JP 5235042 B1 7/2013
WO WO 01/36027 A1 5/2001
WO WO 2012/039300 A1 3/2012

* cited by examiner

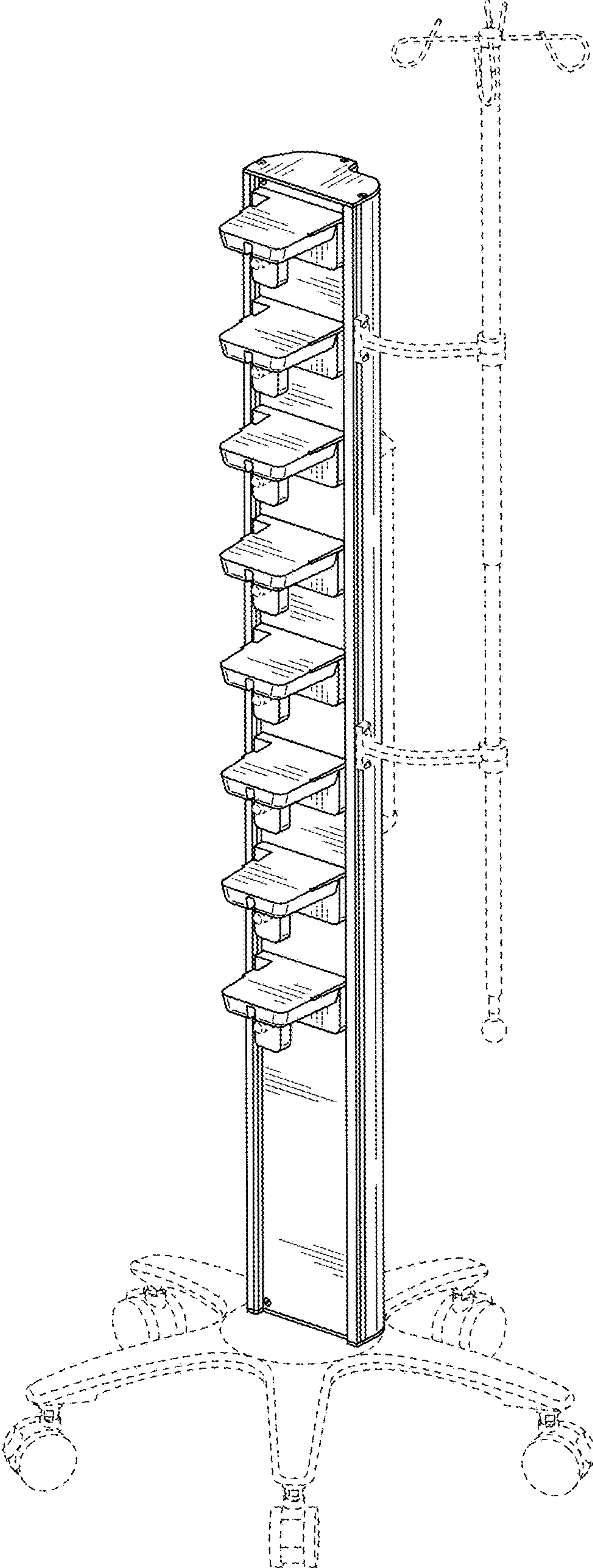


FIG. 1

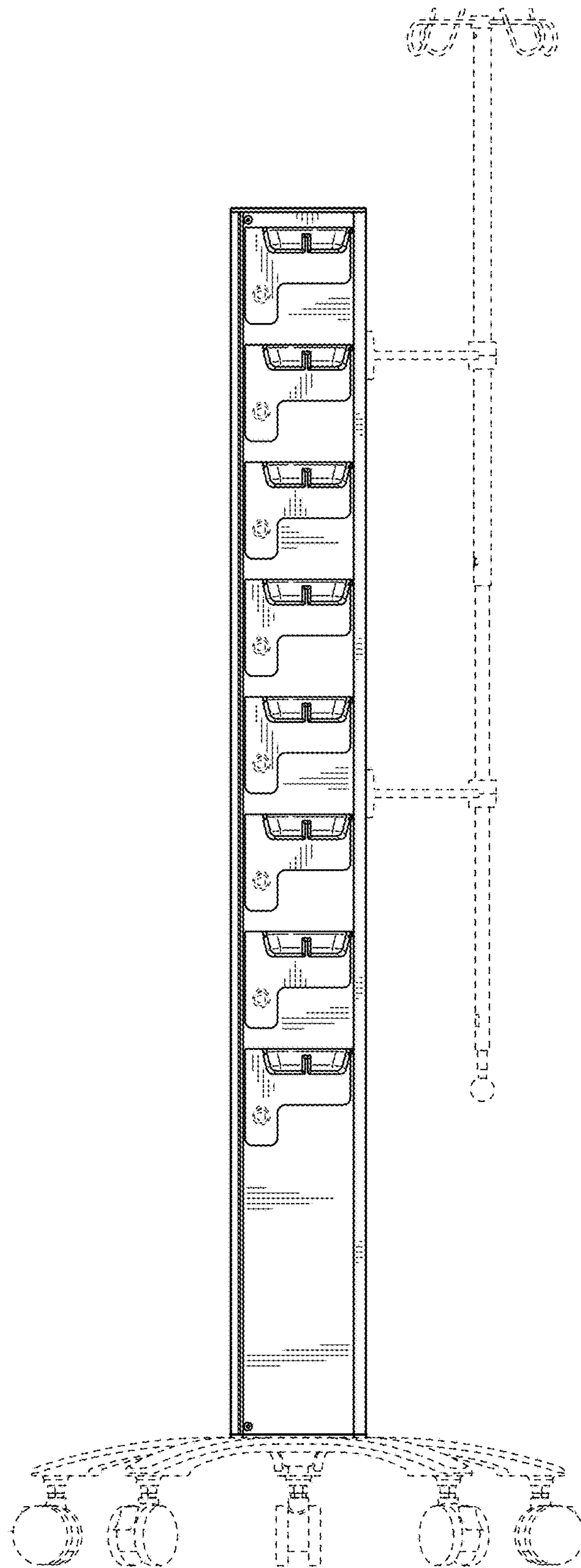


FIG. 2

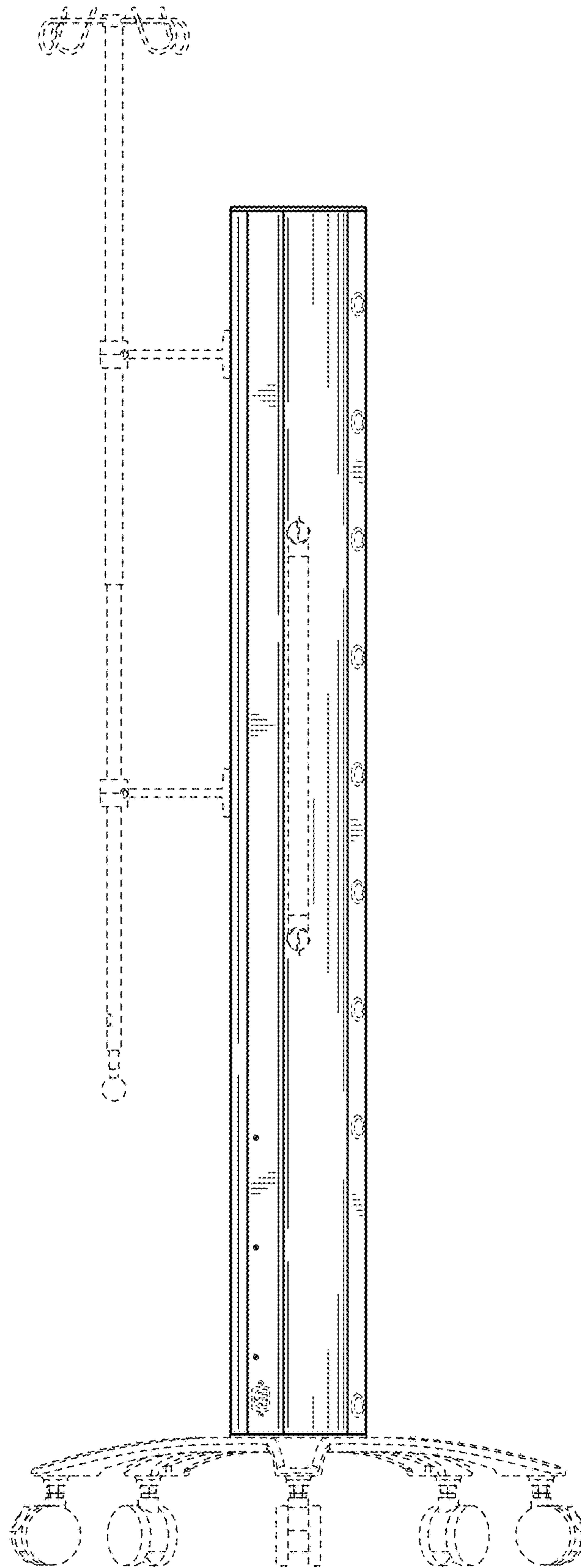


FIG. 3

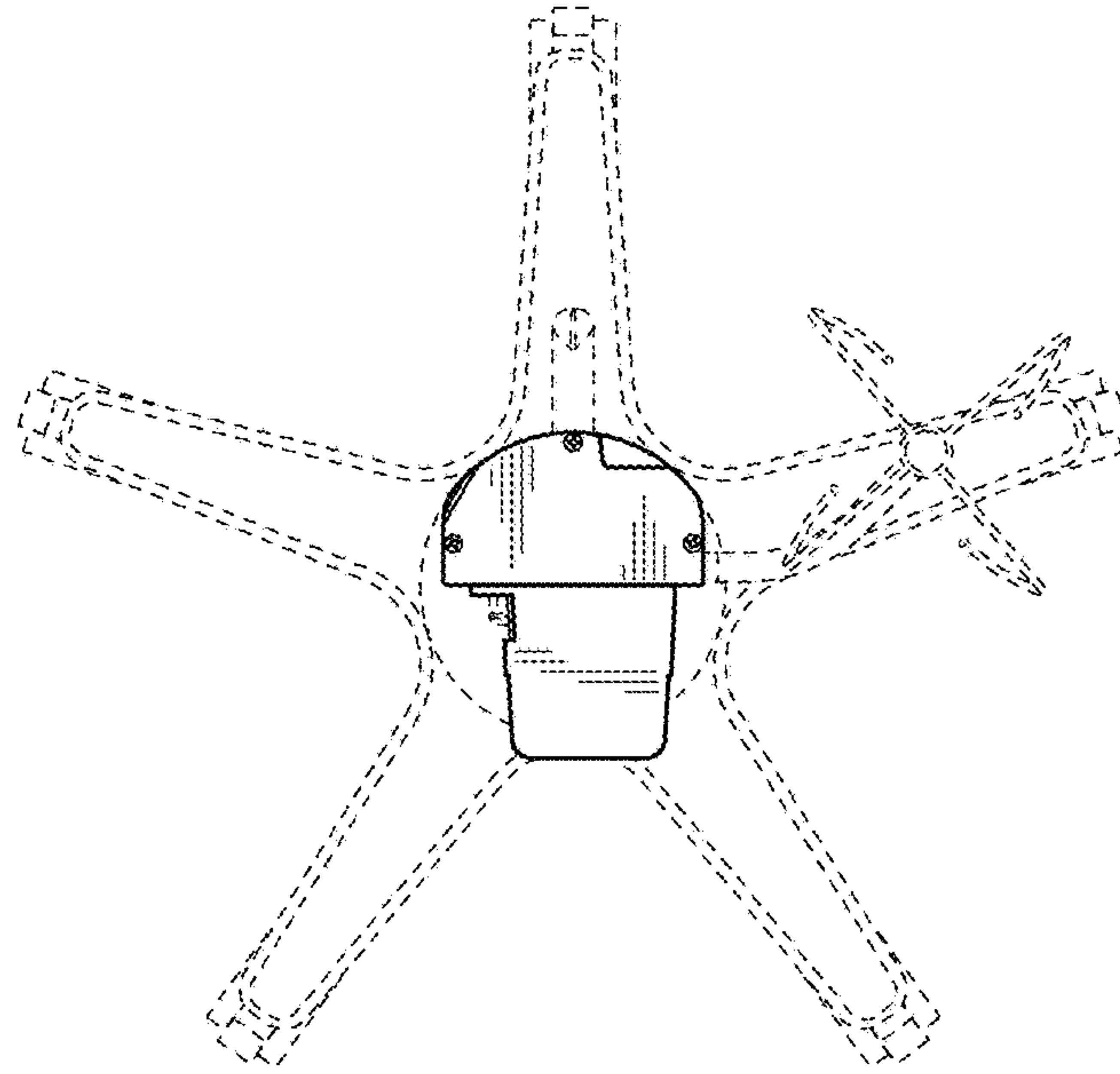


FIG. 4

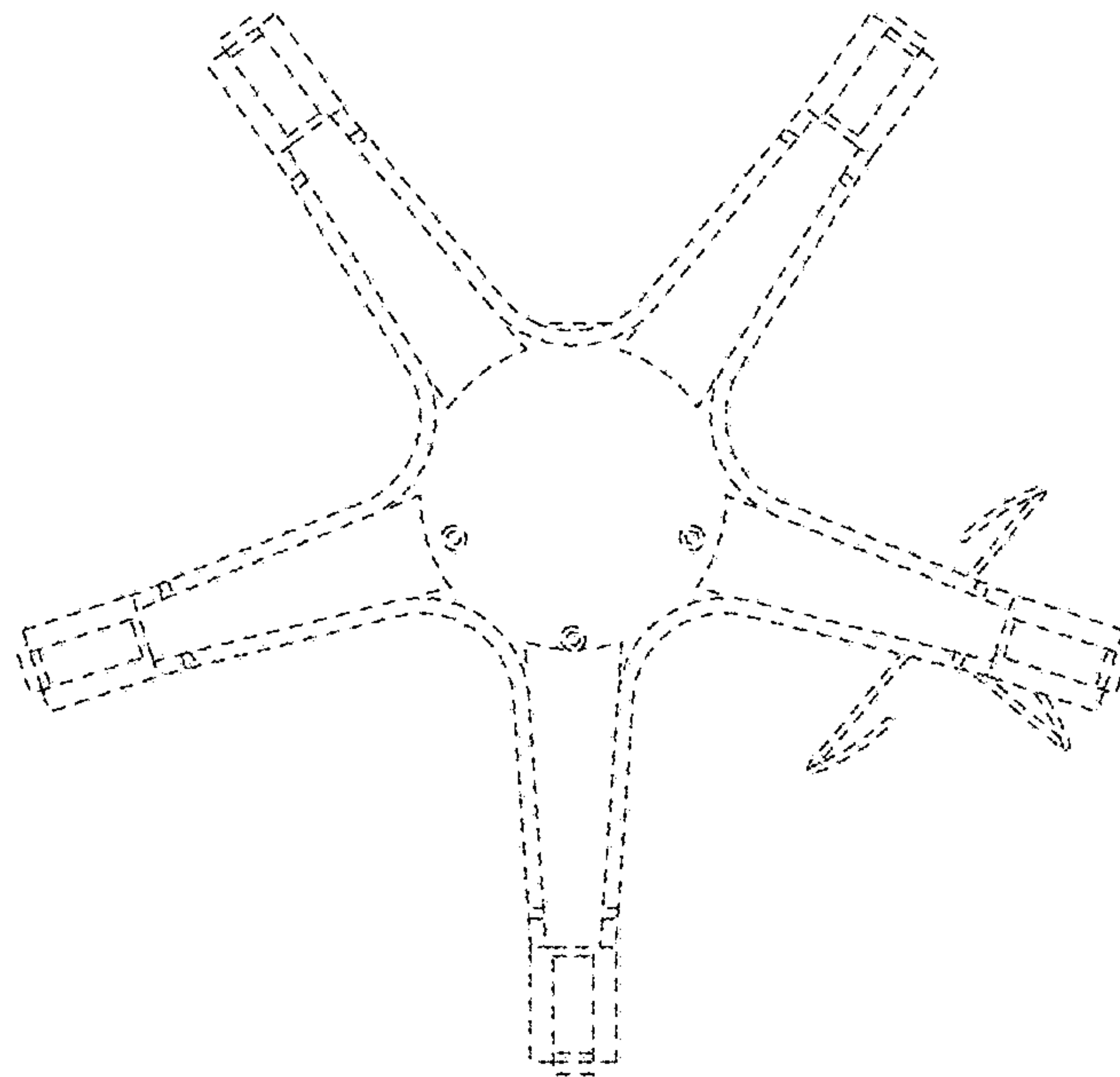


FIG. 5

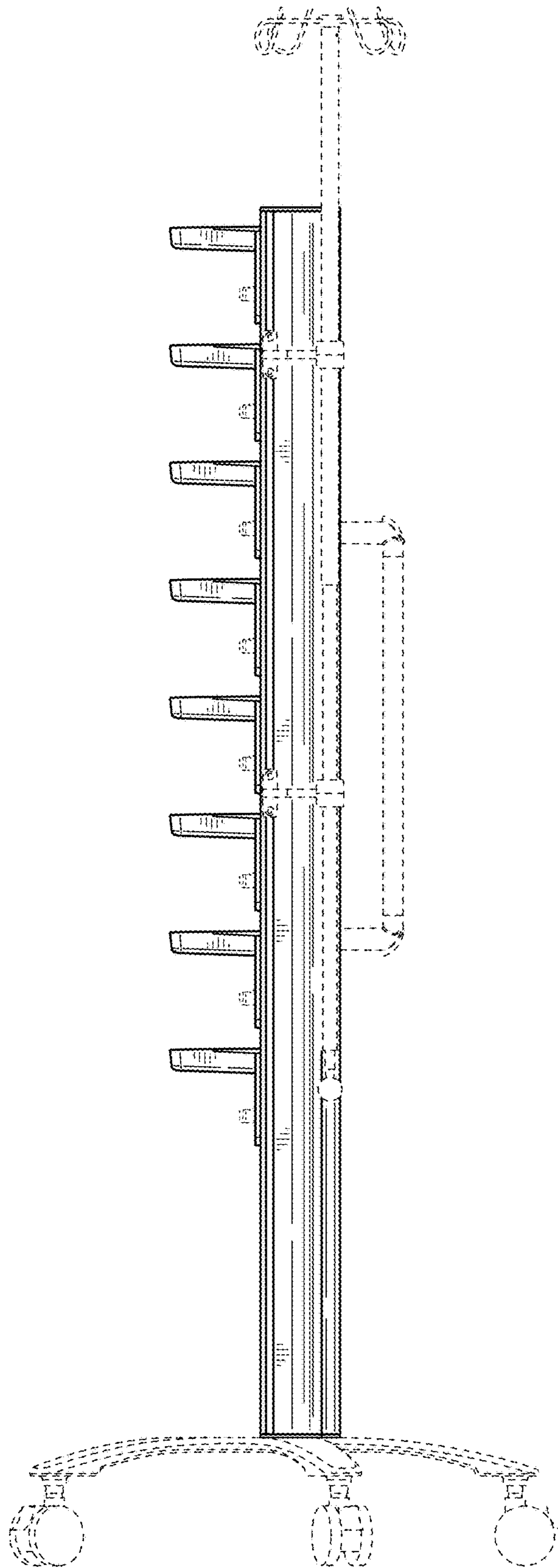


FIG. 6

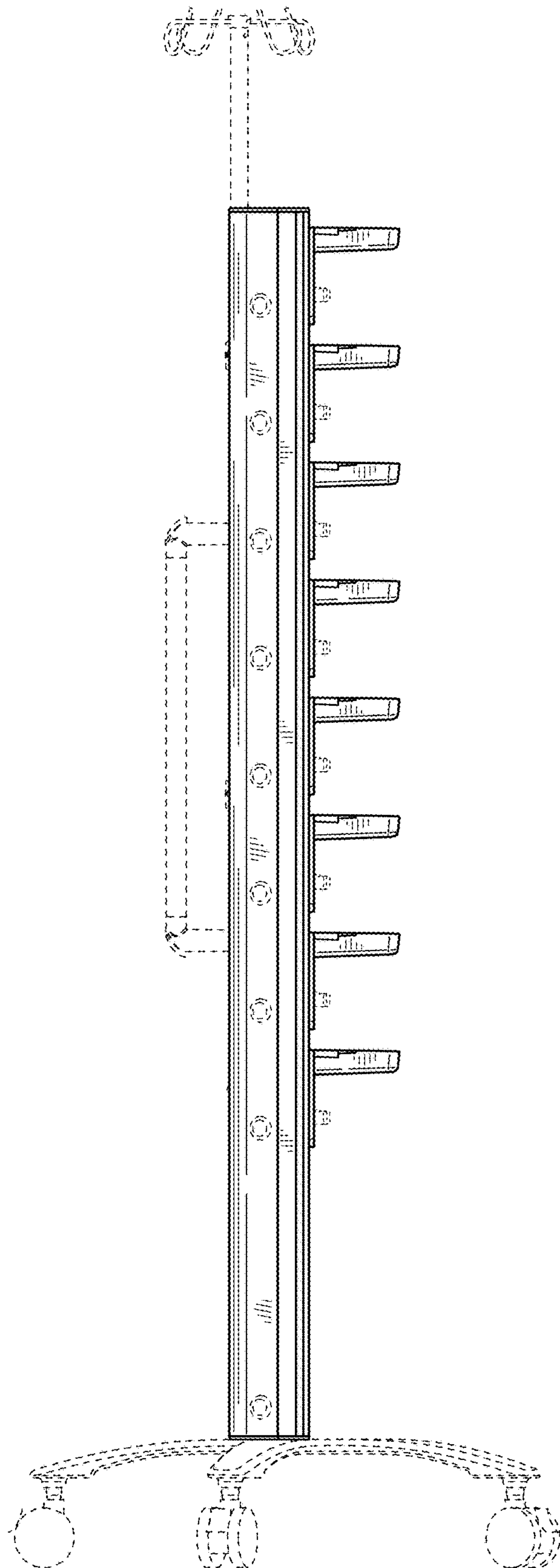


FIG. 7

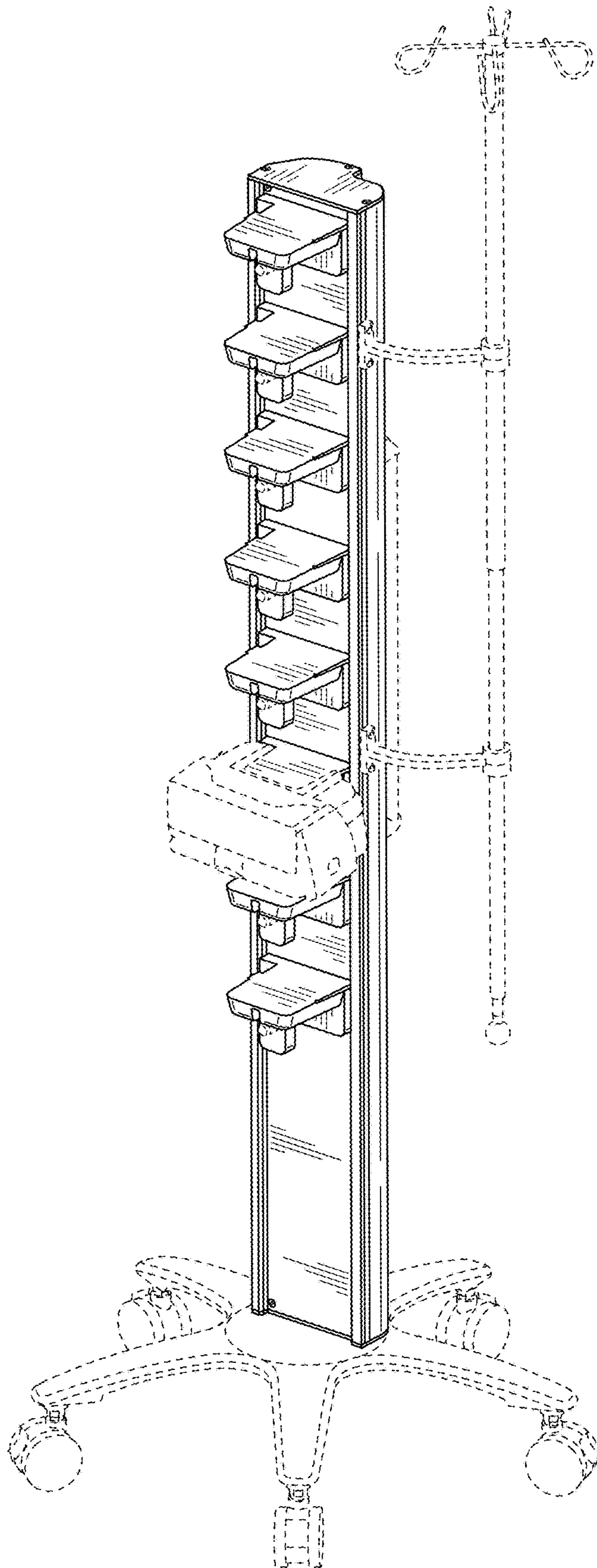


FIG. 8

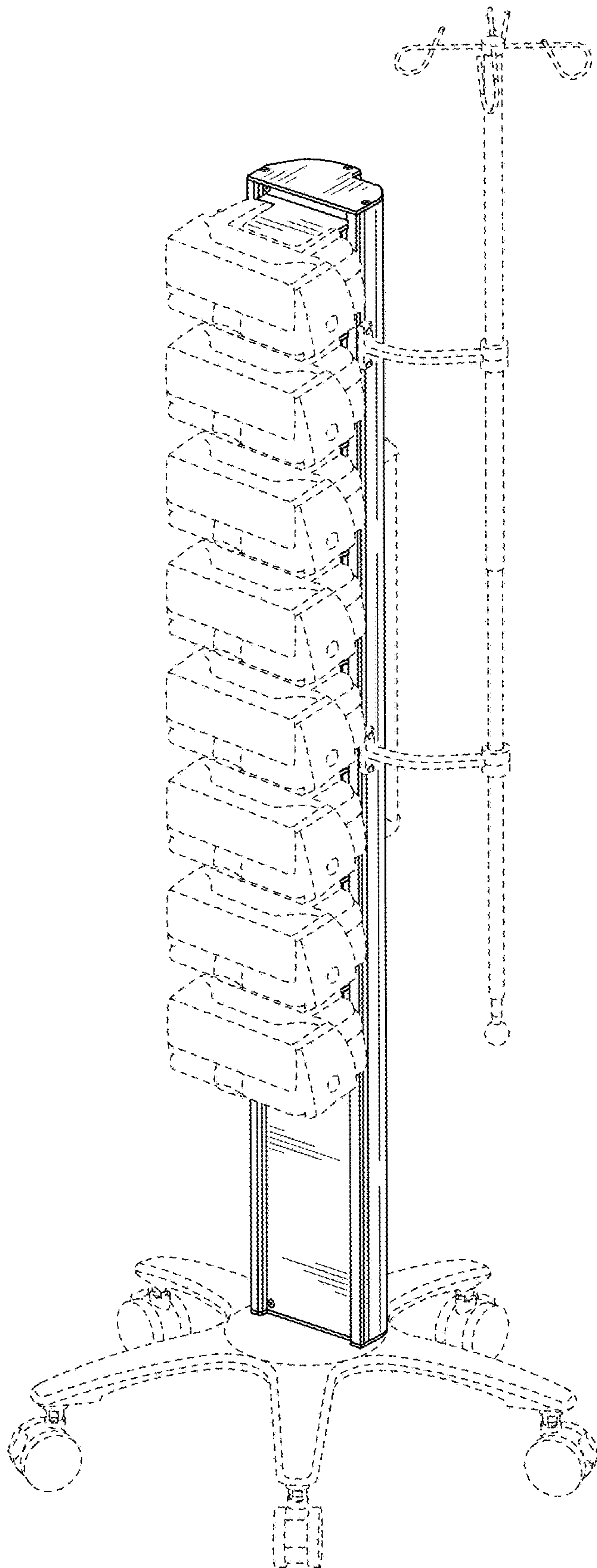


FIG. 9